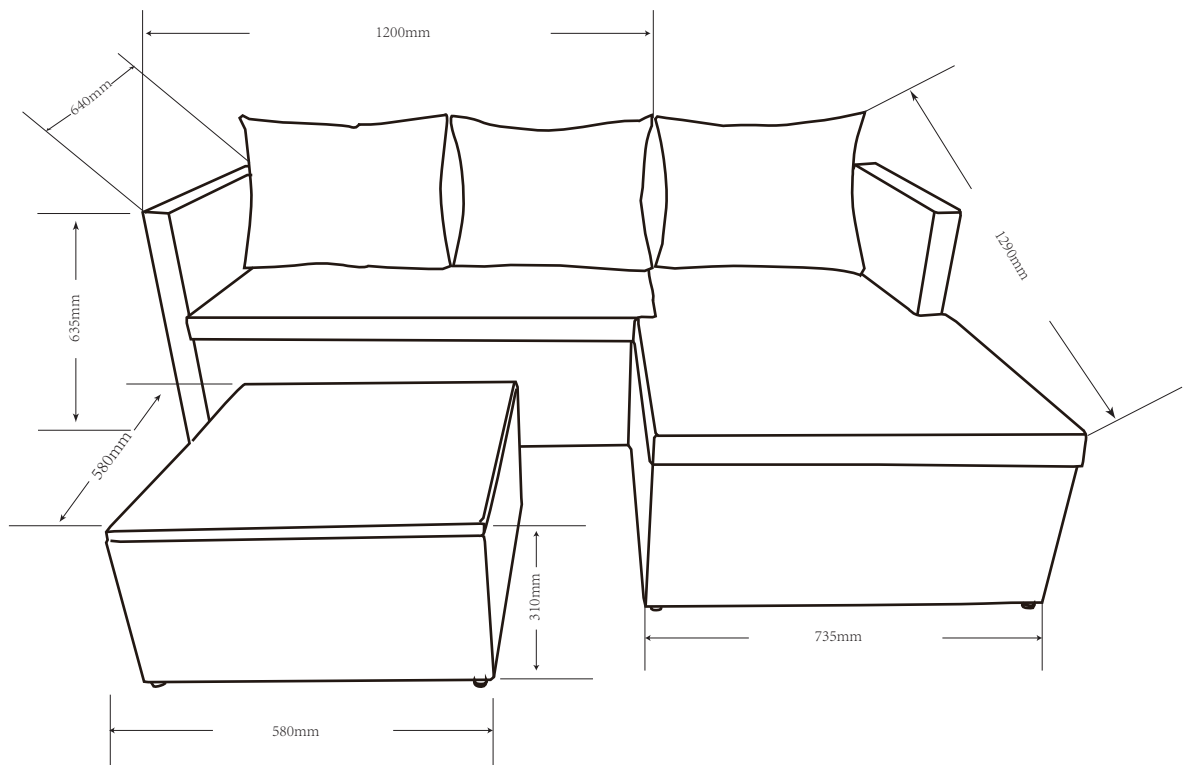




9853498

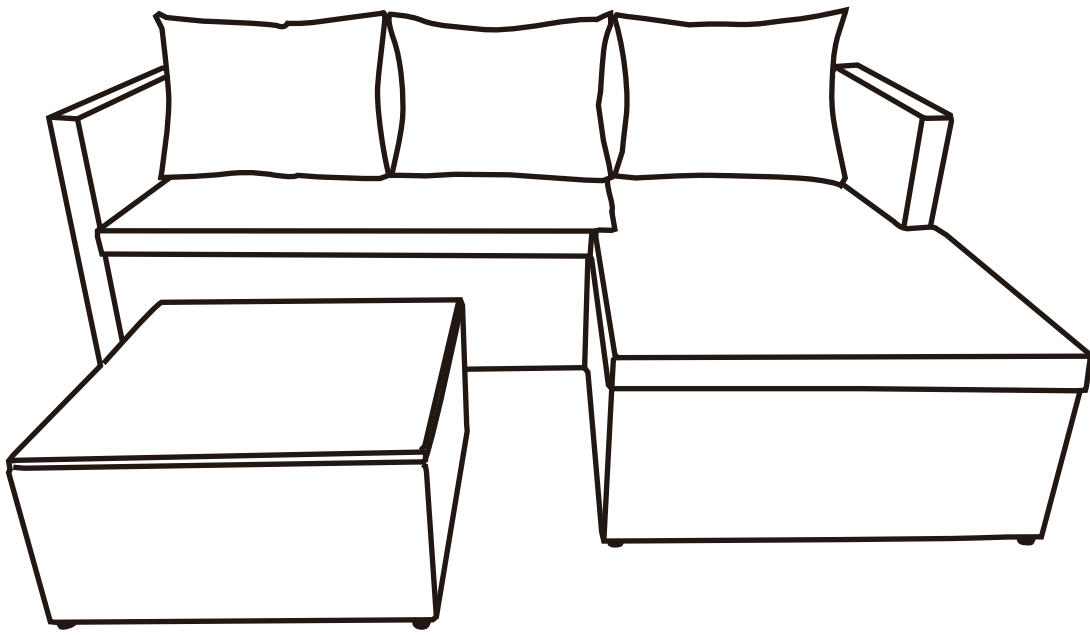
ALBA LOUNGESÆT




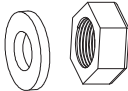


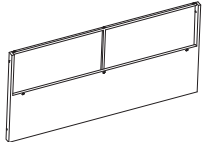
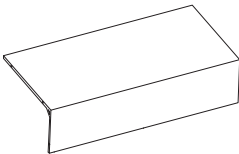
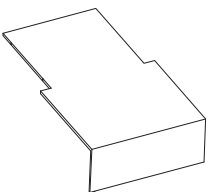
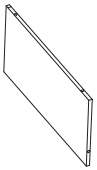
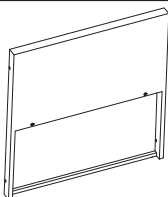
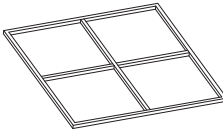
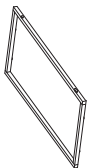
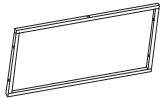




<p>DK:</p>	<p>Tillykke med dine nye havemøbler! For at dine nyindkøbte havemøbler holder sig flottest i lang tid, beder vi dig at læse denne manual grundigt inden samling og ibrugtagning af produktet. Opbevar manualen til senere brug. Trods at mange havemøbler markedsføres som 'Vedligeholdelsesfrie' anbefales overdækning med brug af PARK have-møbelovertræk under regnskyld.</p>
<p>GB:</p>	<p>Congratulations with your new garden furniture! Please read this assembly guide/manual before assembling/using this item. Follow this manual thoroughly and store it properly for later reference. Even though that some garden furniture are marketed as being 'carefree', we recommend to use PARK Havemøbelovertræk, whenever your garden furniture are exposed towards heavy rain falls.</p>
	

Warning texts / Maintenance instructions

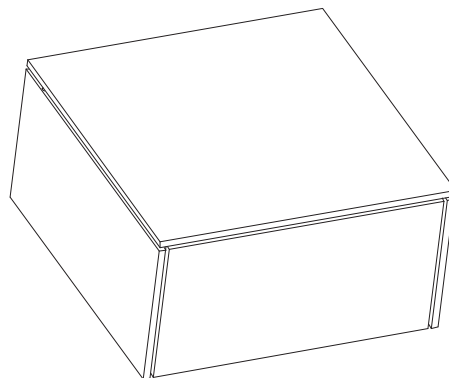
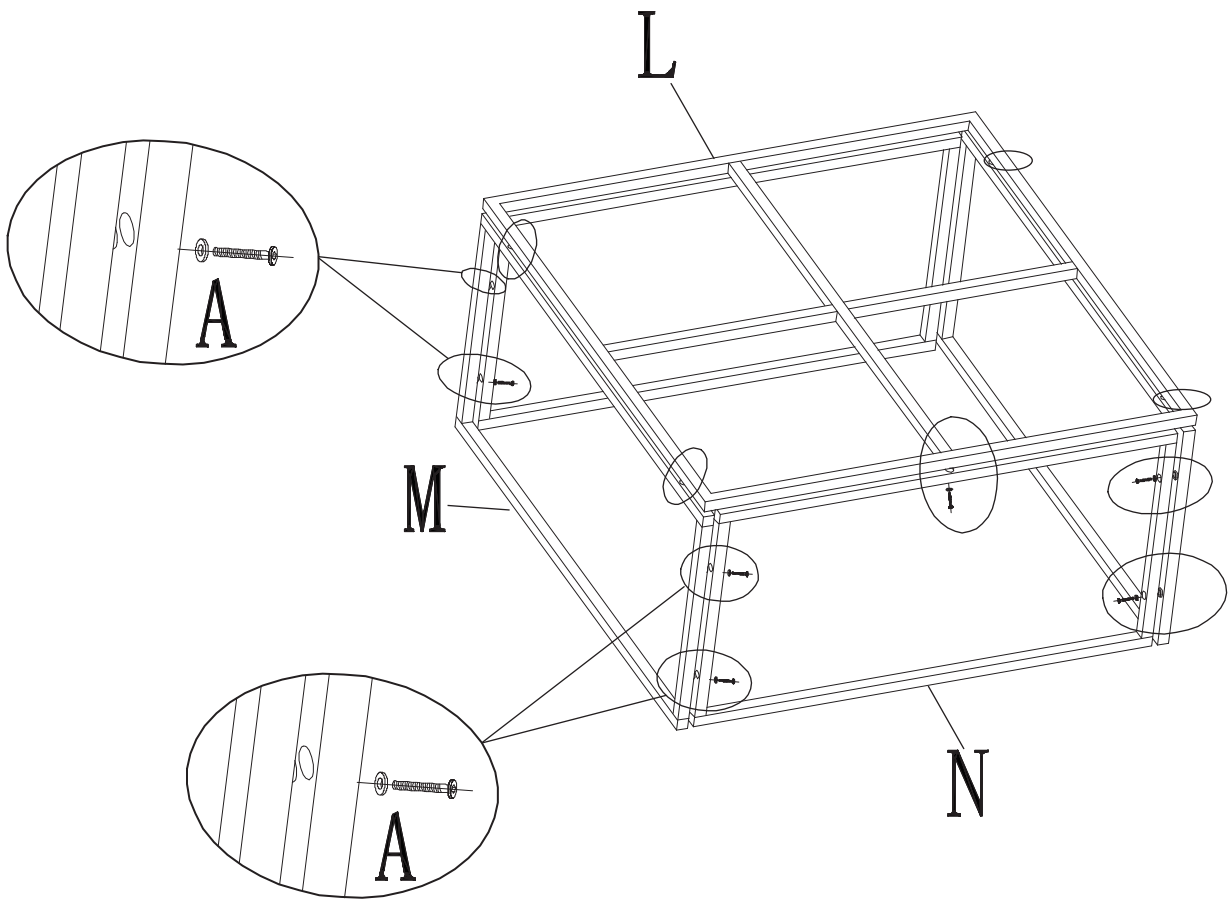
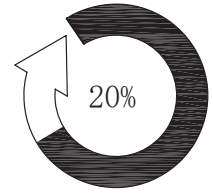
<p>DK:</p>	<p>Havemøbler i Polyrattan er stort set vedligeholdelsesfrie. Dog bør havemøbler generelt set overdækkes under kraftige regnskyld, da brugsmærker og alm. slidtage kan gøre skade på møblernes metalstel, hvorved risiko for rust øges. For at imprægnerer møblet anbefales brugen af 'TRIP TRAP polyrattan protect spray'. Daglig rengøring klares med en klud, vand og sæbe. Eftertørres med tør klud. Til en grundigere rengøring anbefales 'BORUP Havemøbel Rens', der let fjerner belægninger og snavs. Vigtigt! For hynde bokse fremstillet i polyrattan med indvendig opbevaringspose - disse er vandafvisende, men ikke vandtætte ved kraftige regnskyld! Efter sæsonafslutning anbefales det at opbevare møblet i et tørt, ventileret rum, evt. garage, kælder eller lignende.</p>
<p>UK:</p>	<p>Garden furniture in Polyrattan are considered as being maintenance-free. However, it is recommended to cover your garden furniture in Polyrattan during heavy rainfalls, since daily use and wear may have caused minor scratches in the metal, leading to rust. To impregnate the furniture, 'TRIP TRAP polyrattan protect spray' is recommended. For daily cleaning, a cloth, water and soap is recommended. Wipe left liquids off with a dry, clean cloth. For a deeper cleaning, 'BORUP Havemøbelrens' is recommended, to remove coatings and resistant dirt. Caution! Storage boxes for cushions made with Polyrattan including an inside storage bag, these are water repellent, but not considered as being water resistant. Storage out of season should take place in a dry, airconditioned/ventilated room like basement, garage or similar place.</p>



A	M6*30	23PCS	B	M6*40	9PCS	C	M6*55	4PCS	D	4PCS	E	1PC
										right arm		
F	1PC	G	1PC	H	1PC	I	1PC	J	1PC			
										left arm		
K	1PC	L	1PC	M	2PCS	N	2PCS	O	1PC			
												
P	1PC											
												

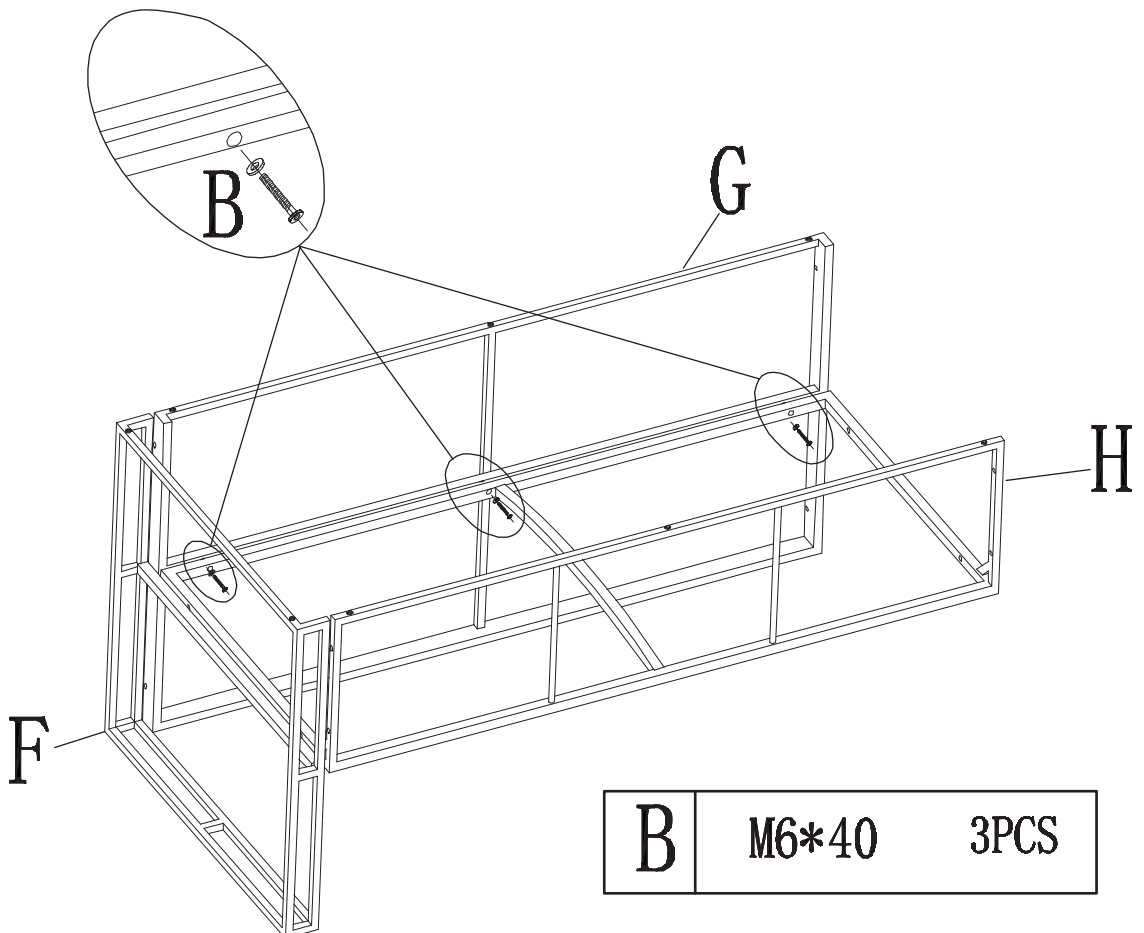
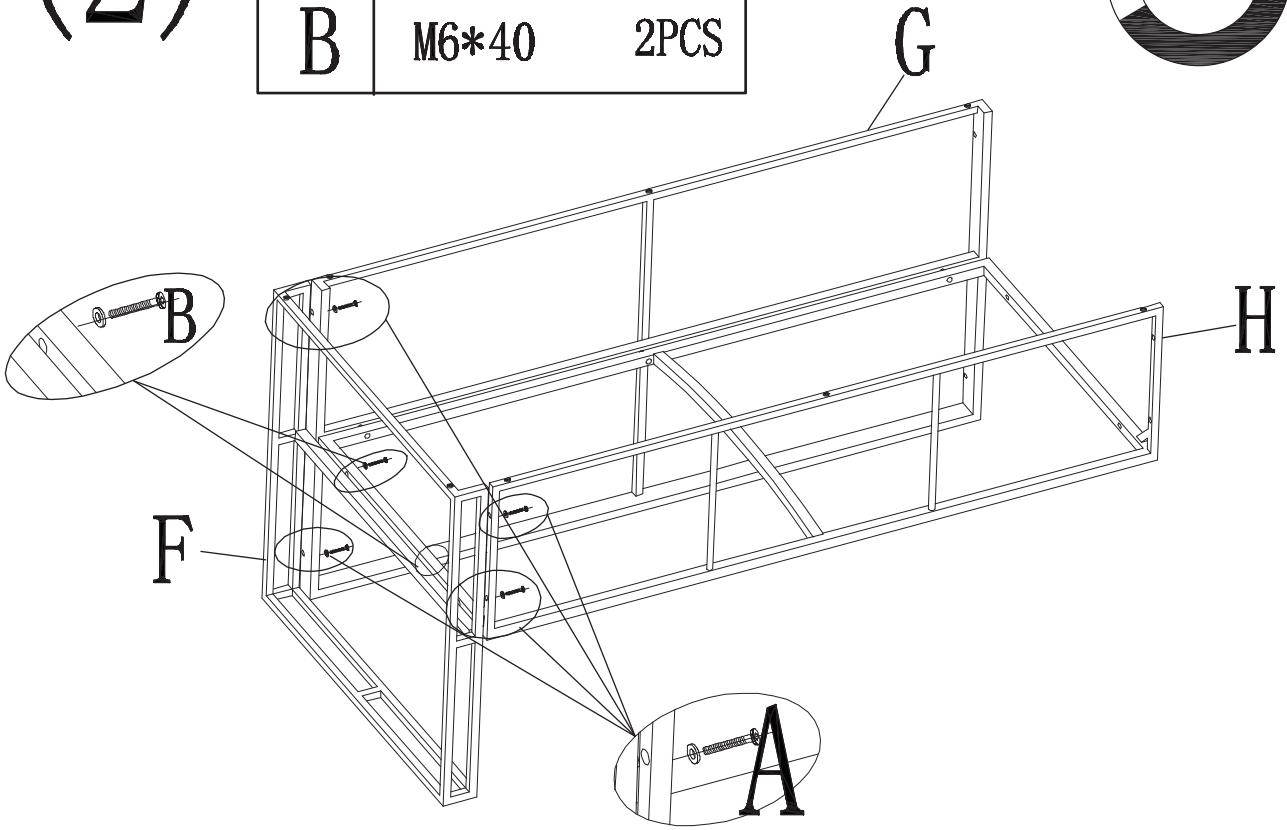
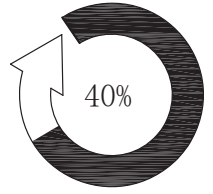
(1)

A	M6*30	14PCS
---	-------	-------

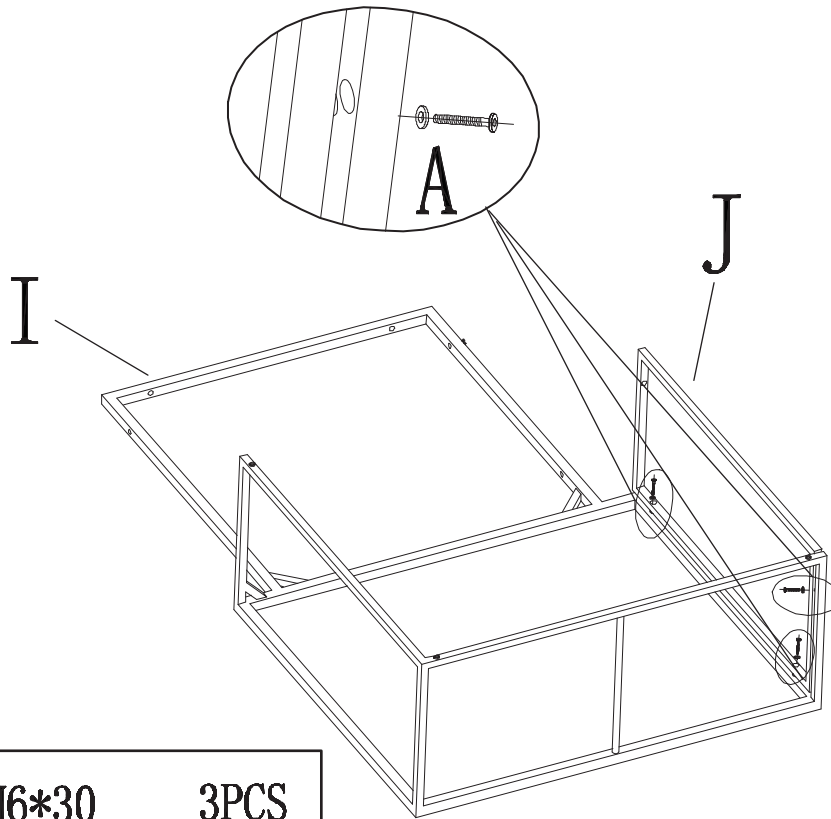
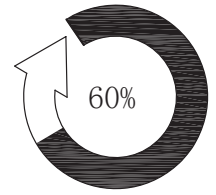


(2)

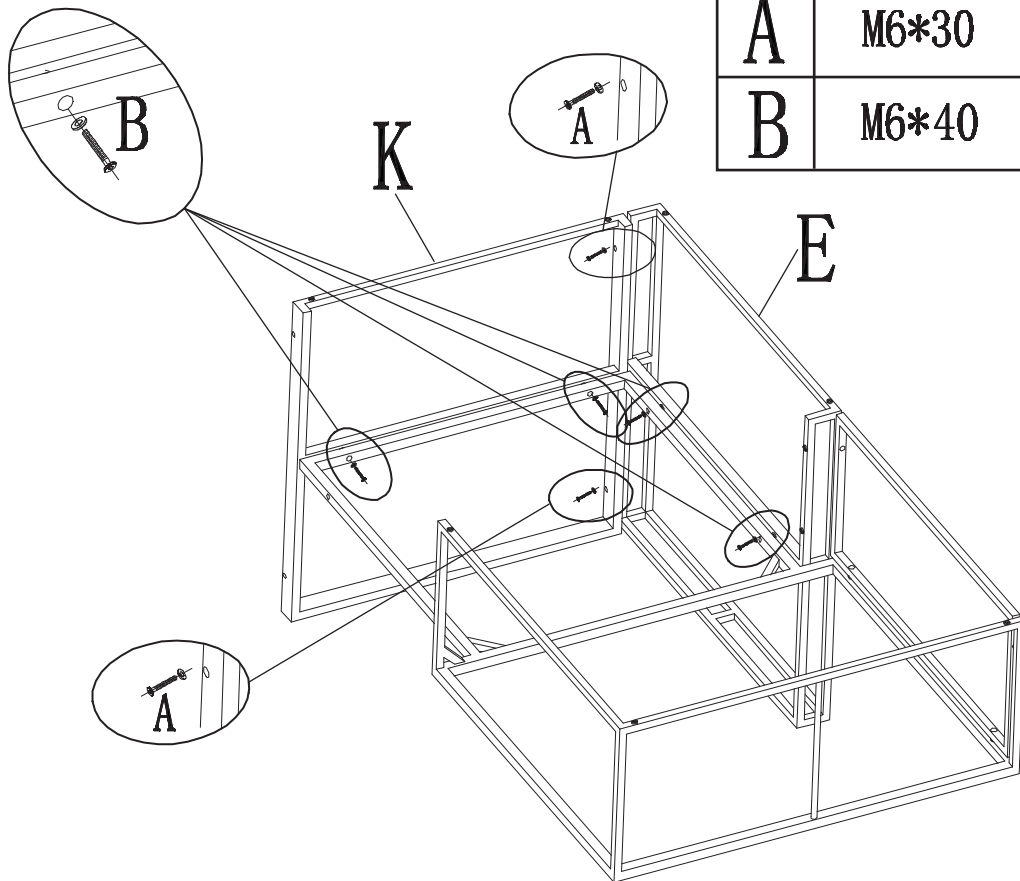
A	M6*30	4PCS
B	M6*40	2PCS



(3)

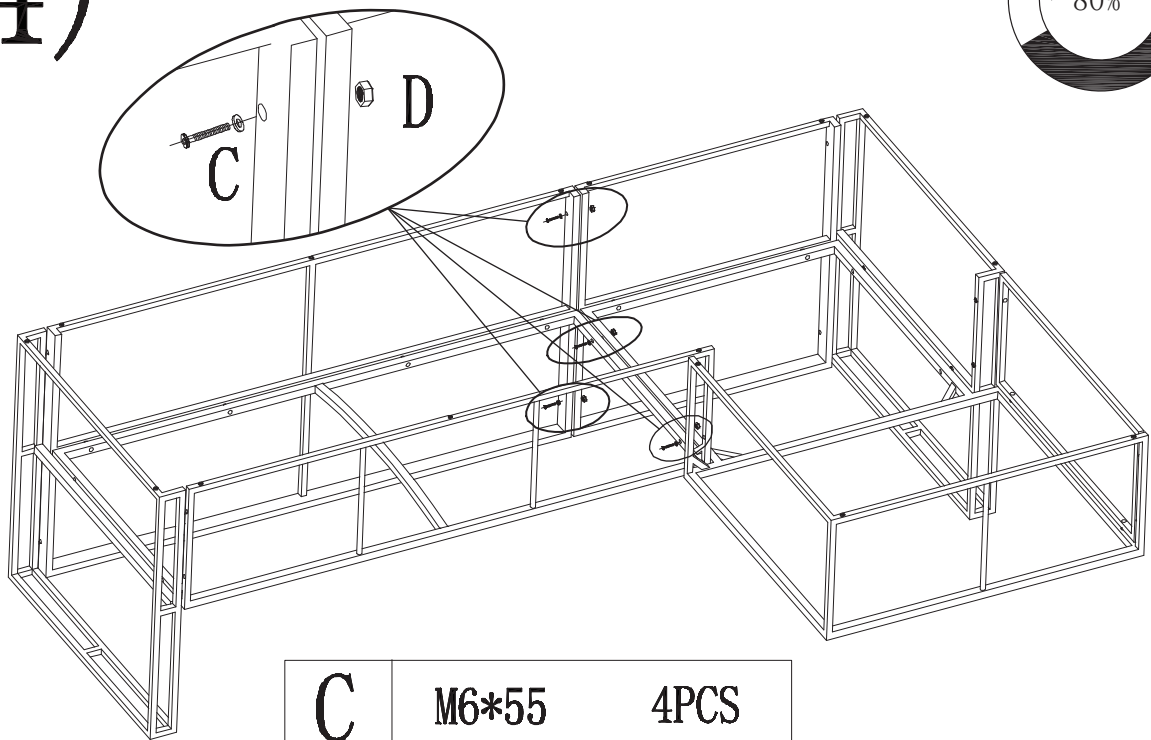
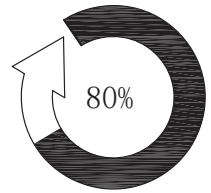



A	M6*30	3PCS
---	-------	------



A	M6*30	2PCS
B	M6*40	4PCS

(4)



C	M6*55	4PCS
D		4PCS

