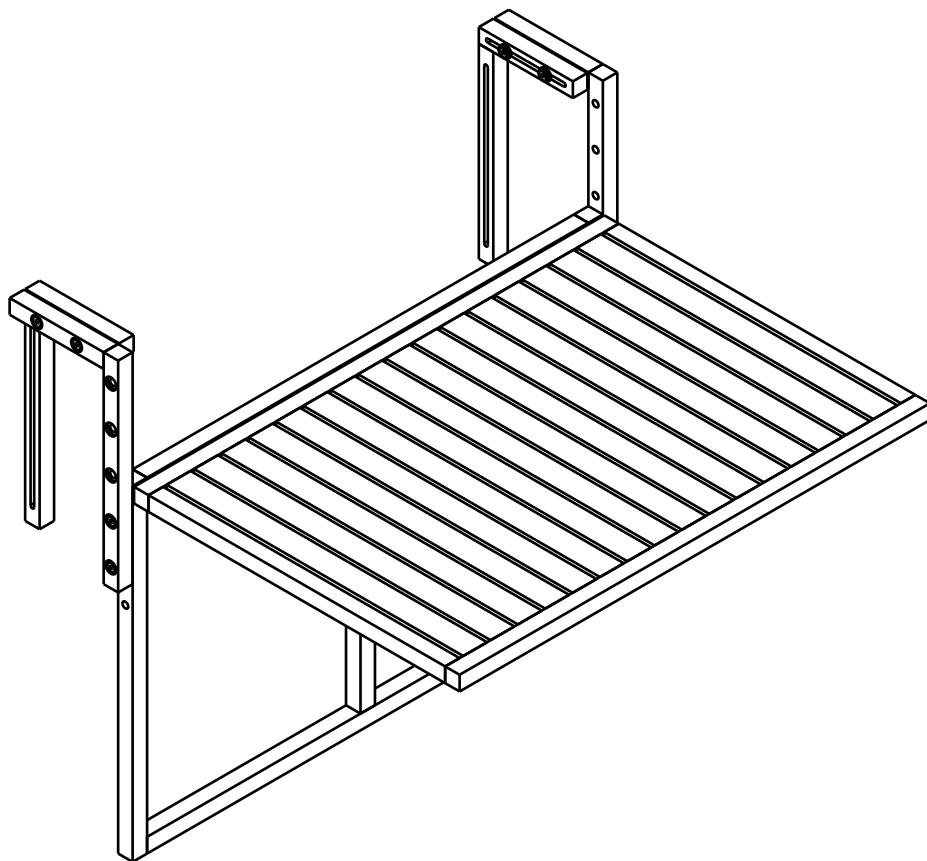
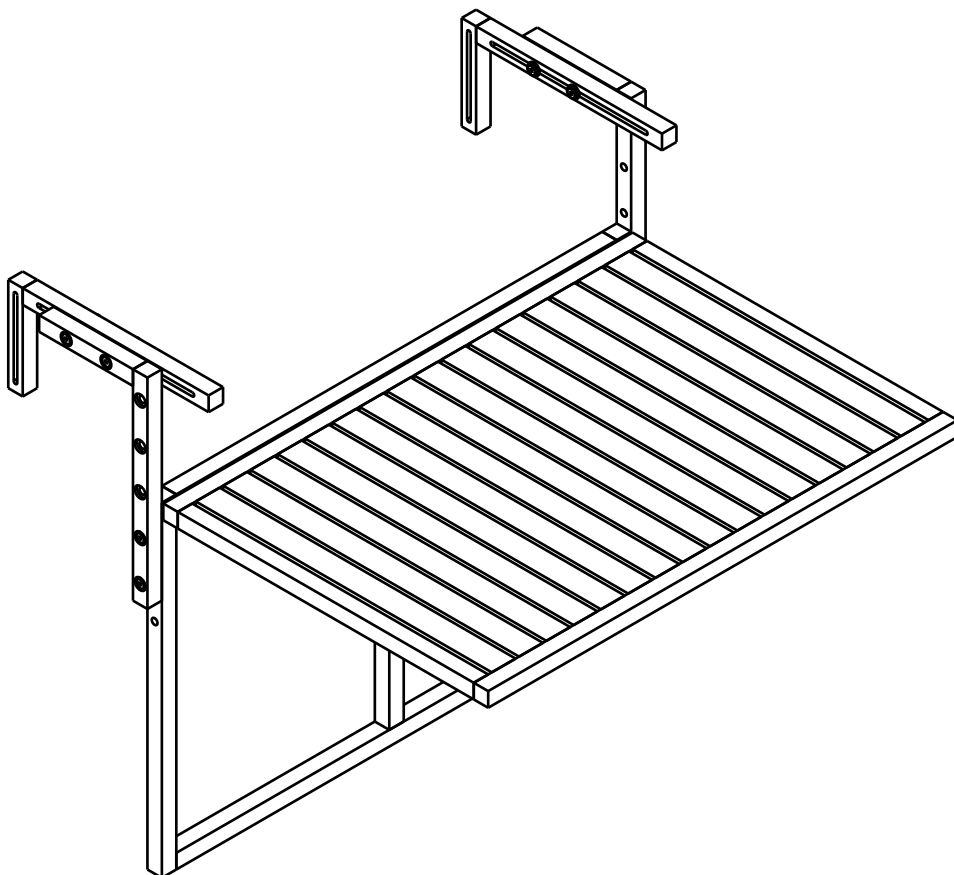


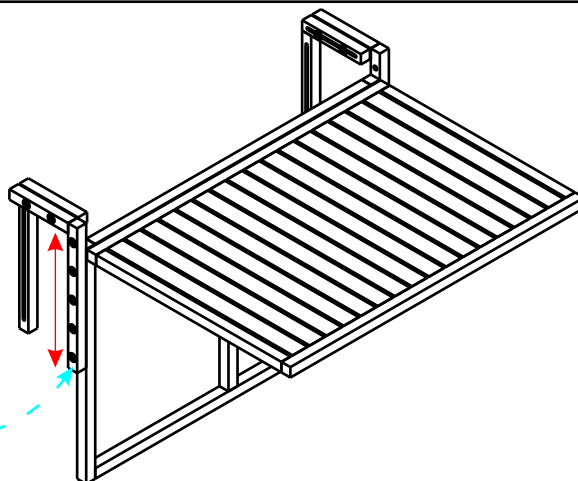
# Case 1



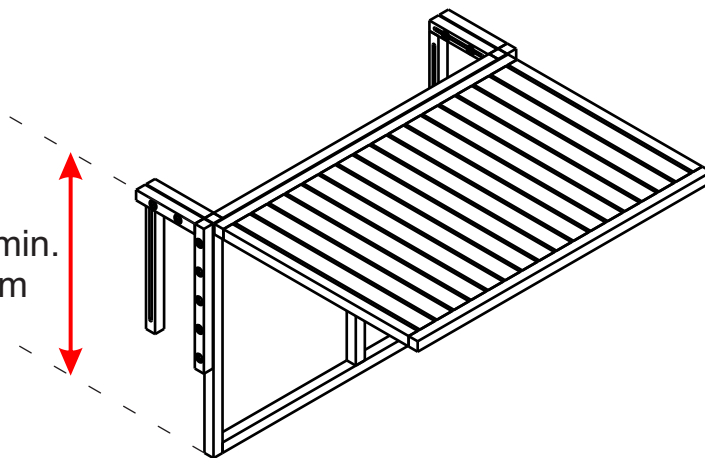
# Case 2



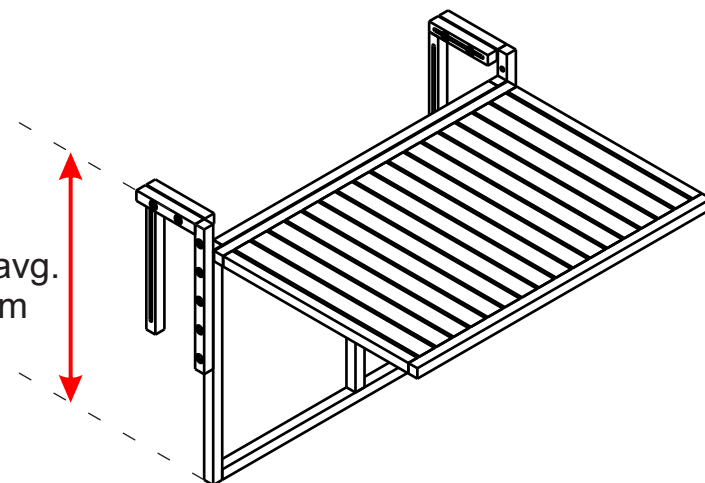
Change vertical rod  
to get new height



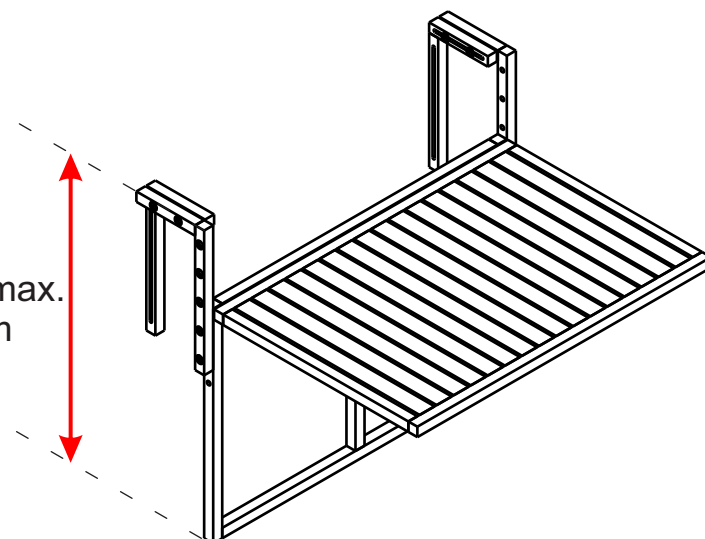
Height min.  
40.5cm

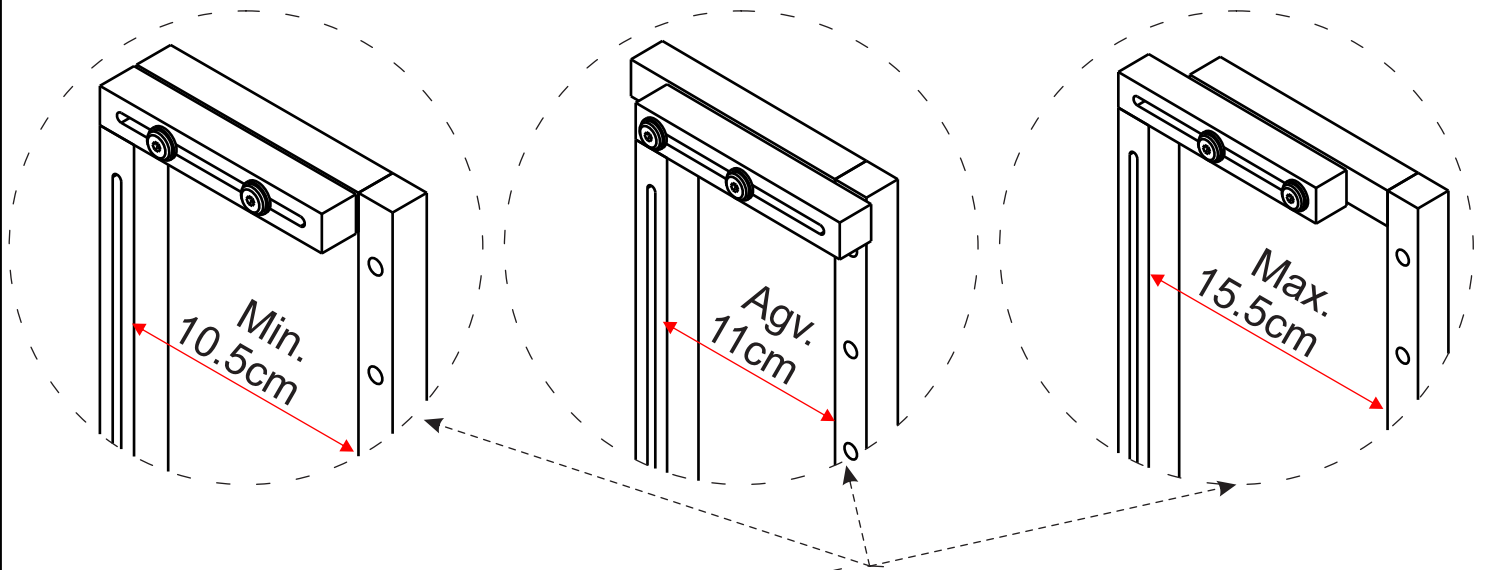


Height avg.  
45.5cm



Height max.  
56cm





Slide to change distance

