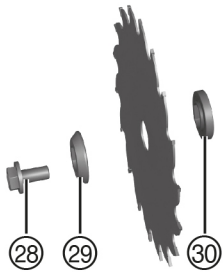
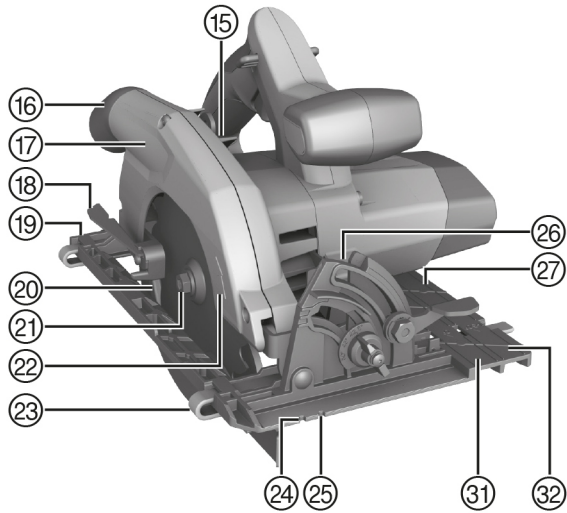
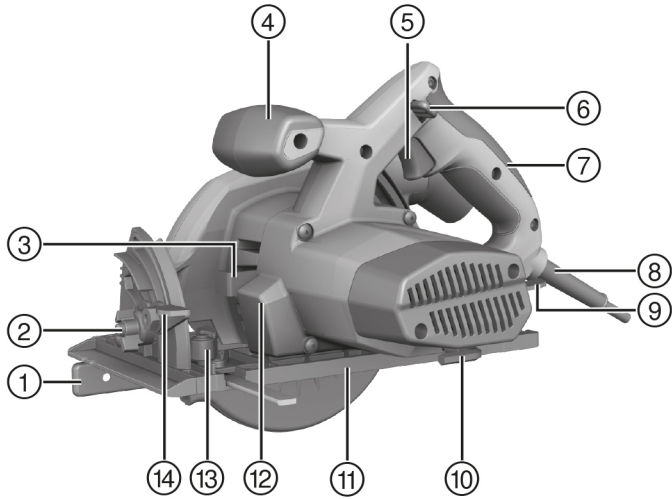


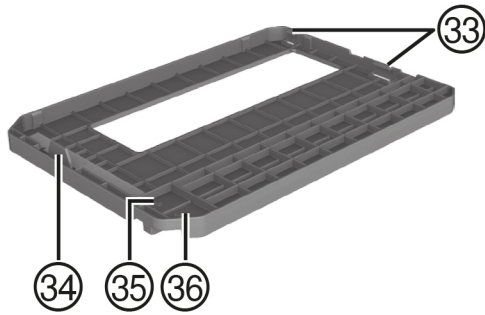


SC 55W

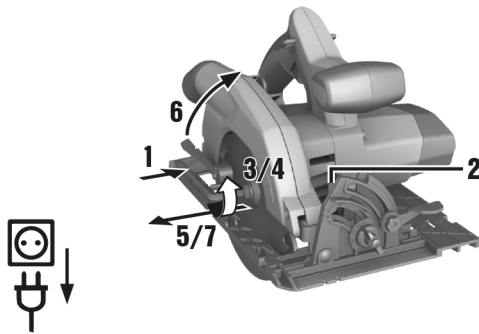
English	1
Dansk	12
Svenska	23
Norsk	34
Suomi	45
Eesti	56
Latviešu	67
Lietuvių	79
Čeština	91
Slovenčina	102
Magyar	114
Қазақ	126
Türkçe	138
한국어	150



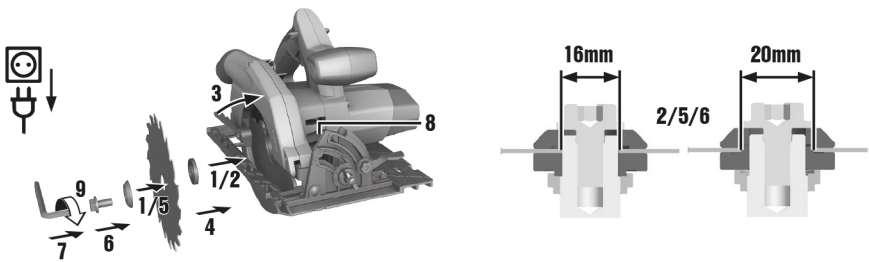
2



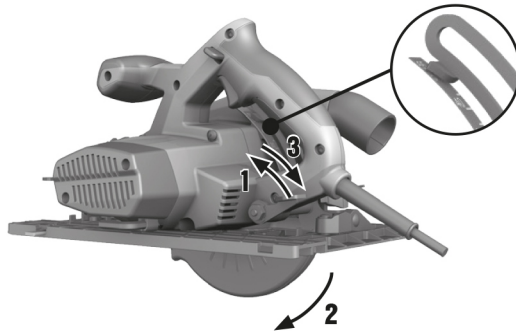
3



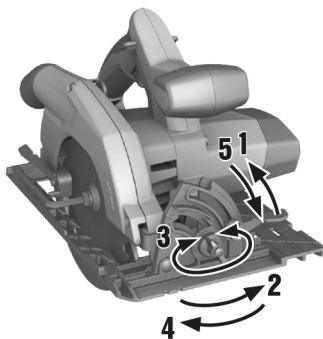
4



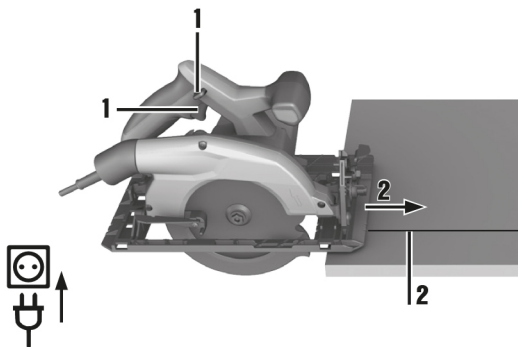
5



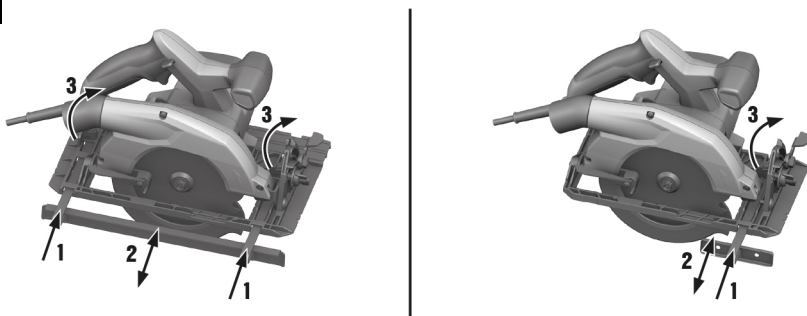
6



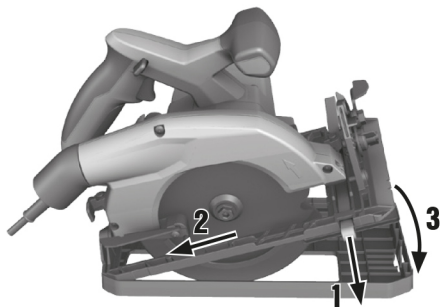
7



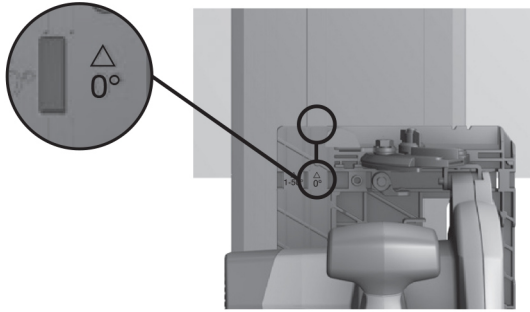
8



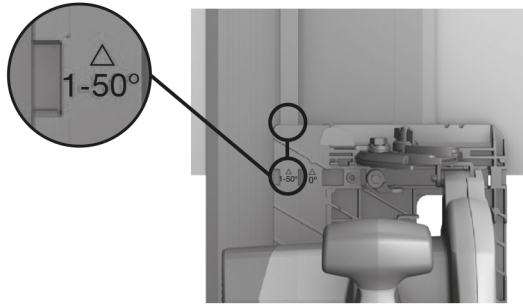
9



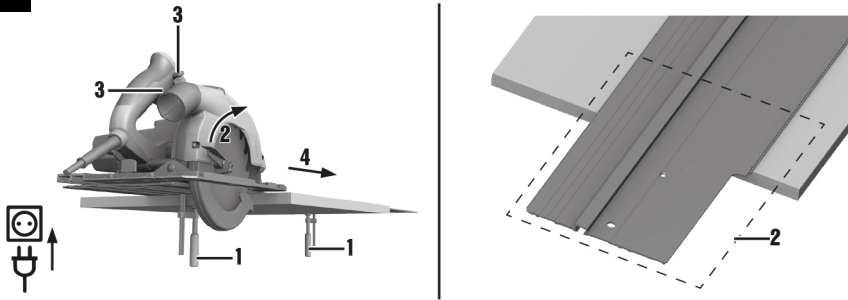
10



11



12



SC 55W

en	Original operating instructions	1
da	Original brugsanvisning	12
sv	Originalbruksanvisning	23
no	Original bruksanvisning	34
fi	Alkuperäiset ohjeet	45
et	Originaalkasutusjuhend	56
lv	Orģinālā lietošanas instrukcija	67
lt	Originali naudojimo instrukcija	79
cs	Originální návod k obsluze	91
sk	Originálny návod na obsluhu	102
hu	Eredeti használati utasítás	114
kk	Түпнұсқа пайдалану бойынша нұсқаулық	126
tr	Orijinal kullanım kılavuzu	138
ko	오리지널 사용 설명서	150

1 Information about the documentation

1.1 About this documentation

- Read this documentation before initial operation or use. This is a prerequisite for safe, trouble-free handling and use of the product.
- Observe the safety instructions and warnings in this documentation and on the product.
- Always keep the operating instructions with the product and make sure that the operating instructions are with the product when it is given to other persons.

1.2 Explanation of symbols used

1.2.1 Warnings

Warnings alert persons to hazards that occur when handling or using the product. The following signal words are used:

DANGER

DANGER !

- ▶ Draws attention to imminent danger that will lead to serious personal injury or fatality.

WARNING

WARNING !

- ▶ Draws attention to a potential threat of danger that can lead to serious injury or fatality.





CAUTION

CAUTION !

- ▶ Draws attention to a potentially dangerous situation that could lead to slight personal injury or damage to the equipment or other property.


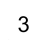


1.2.2 Symbols in the documentation

The following symbols are used in this document:

	Read the operating instructions before use.
	Instructions for use and other useful information
	Dealing with recyclable materials
	Do not dispose of electric equipment and batteries as household waste

1.2.3 Symbols in the illustrations

The following symbols are used in illustrations:

	These numbers refer to the corresponding illustrations found at the beginning of these operating instructions
	The numbering reflects the sequence of operations shown in the illustrations and may deviate from the steps described in the text
	Item reference numbers are used in the overview illustrations and refer to the numbers used in the product overview section
	This symbol is intended to draw special attention to certain points when handling the product.

1.3 Product-dependent symbols

1.3.1 Symbols on the product

The following symbols can be used on the product:



	Wireless data transfer
n_0	Rated speed under no load
	Protection class II (double-insulated)
	Saw blade

1.4 Product information

products are designed for professional users and only trained, authorized personnel are permitted to operate, service and maintain the products. This personnel must be specifically informed about the possible hazards. The product and its ancillary equipment can present hazards if used incorrectly by untrained personnel or if used not in accordance with the intended use.

The type designation and serial number are printed on the rating plate.

- ▶ Write down the serial number in the table below. You will be required to state the product details when contacting Hilti Service or your local Hilti organization to inquire about the product.

Product information

Circular saw	SC 55W
Generation	01
Serial no.	

1.5 Declaration of conformity

We declare, on our sole responsibility, that the product described here complies with the applicable directives and standards. A copy of the declaration of conformity can be found at the end of this documentation.

The technical documentation is filed here:

Hilti Entwicklungsgesellschaft mbH | Tool Certification | Hiltistrasse 6 | D-86916 Kaufering, Germany

2 Safety

2.1 General power tool safety warnings

⚠ WARNING Read all safety warnings, instructions, illustrations and specifications provided with this power tool. Failure to follow all instructions listed below may result in electric shock, fire and/or serious injury. **Save all warnings and instructions for future reference.**

The term "power tool" in the warnings refers to your mains-operated (corded) power tool or battery-operated (cordless) power tool.

Work area safety

- ▶ **Keep work area clean and well lit.** Cluttered or dark areas invite accidents.
- ▶ **Do not operate power tools in explosive atmospheres, such as in the presence of flammable liquids, gases or dust.** Power tools create sparks which may ignite the dust or fumes.
- ▶ **Keep children and bystanders away while operating a power tool.** Distractions can cause you to lose control.

Electrical safety

- ▶ **Power tool plugs must match the outlet. Never modify the plug in any way. Do not use any adapter plugs with earthed (grounded) power tools.** Unmodified plugs and matching outlets will reduce risk of electric shock.
- ▶ **Avoid body contact with earthed or grounded surfaces, such as pipes, radiators, ranges and refrigerators.** There is an increased risk of electric shock if your body is earthed or grounded.
- ▶ **Do not expose power tools to rain or wet conditions.** Water entering a power tool will increase the risk of electric shock.
- ▶ **Do not abuse the cord. Never use the cord for carrying, pulling or unplugging the power tool. Keep cord away from heat, oil, sharp edges or moving parts.** Damaged or entangled cords increase the risk of electric shock.
- ▶ **When operating a power tool outdoors, use an extension cord suitable for outdoor use.** Use of a cord suitable for outdoor use reduces the risk of electric shock.



- ▶ **If operating a power tool in a damp location is unavoidable, use a residual current device (RCD) protected supply.** Use of an RCD reduces the risk of electric shock.

Personal safety

- ▶ **Stay alert, watch what you are doing and use common sense when operating a power tool. Do not use a power tool while you are tired or under the influence of drugs, alcohol or medication.** A moment of inattention while operating power tools may result in serious personal injury.
- ▶ **Use personal protective equipment. Always wear eye protection.** Protective equipment such as a dust mask, non-skid safety shoes, hard hat or hearing protection used for appropriate conditions will reduce personal injuries.
- ▶ **Prevent unintentional starting. Ensure the switch is in the off-position before connecting to power source and/or battery pack, picking up or carrying the tool.** Carrying power tools with your finger on the switch or energising power tools that have the switch on invites accidents.
- ▶ **Remove any adjusting key or wrench before turning the power tool on.** A wrench or a key left attached to a rotating part of the power tool may result in personal injury.
- ▶ **Do not overreach. Keep proper footing and balance at all times.** This enables better control of the power tool in unexpected situations.
- ▶ **Dress properly. Do not wear loose clothing or jewellery. Keep your hair and clothing away from moving parts.** Loose clothes, jewellery or long hair can be caught in moving parts.
- ▶ **If devices are provided for the connection of dust extraction and collection facilities, ensure these are connected and properly used.** Use of dust collection can reduce dust-related hazards.
- ▶ **Do not let familiarity gained from frequent use of tools allow you to become complacent and ignore tool safety principles.** A careless action can cause severe injury within a fraction of a second.

Power tool use and care

- ▶ **Do not force the power tool. Use the correct power tool for your application.** The correct power tool will do the job better and safer at the rate for which it was designed.
- ▶ **Do not use the power tool if the switch does not turn it on and off.** Any power tool that cannot be controlled with the switch is dangerous and must be repaired.
- ▶ **Disconnect the plug from the power source and/or remove the battery pack, if detachable, from the power tool before making any adjustments, changing accessories, or storing power tools.** Such preventive safety measures reduce the risk of starting the power tool accidentally.
- ▶ **Store idle power tools out of the reach of children and do not allow persons unfamiliar with the power tool or these instructions to operate the power tool.** Power tools are dangerous in the hands of untrained users.
- ▶ **Maintain power tools and accessories. Check for misalignment or binding of moving parts, breakage of parts and any other condition that may affect the power tool's operation. If damaged, have the power tool repaired before use.** Many accidents are caused by poorly maintained power tools.
- ▶ **Keep cutting tools sharp and clean.** Properly maintained cutting tools with sharp cutting edges are less likely to bind and are easier to control.
- ▶ **Use the power tool, accessories and tool bits etc. in accordance with these instructions, taking into account the working conditions and the work to be performed.** Use of the power tool for operations different from those intended could result in a hazardous situation.
- ▶ **Keep handles and grasping surfaces dry, clean and free from oil and grease.** Slippery handles and grasping surfaces do not allow for safe handling and control of the tool in unexpected situations.

Service

- ▶ **Have your power tool serviced by a qualified repair person using only identical replacement parts.** This will ensure that the safety of the power tool is maintained.

2.2 Safety instructions for all saws

Cutting procedures

- ▶ **⚠ DANGER: Keep hands away from cutting area and the blade. Keep your second hand on auxiliary handle or motor housing.** If both hands are holding the saw, they cannot be cut by the blade.
- ▶ **Do not reach underneath the workpiece.** The guard cannot protect you from the blade below the workpiece.
- ▶ **Adjust the cutting depth to the thickness of the workpiece.** Less than a full tooth of the blade teeth should be visible below the workpiece.
- ▶ **Never hold the workpiece in your hands or across your leg while cutting. Secure the workpiece to a stable platform.** It is important to support the work properly to minimise body exposure, blade binding, or loss of control.



- ▶ **Hold the power tool by insulated gripping surfaces, when performing an operation where the cutting tool may contact hidden wiring or its own cord.** Contact with a "live" wire will also make exposed metal parts of the power tool "live" and could give the operator an electric shock.
- ▶ **When ripping, always use a rip fence or straight edge guide.** This improves the accuracy of cut and reduces the chance of blade binding.
- ▶ **Always use blades with correct size and shape (diamond versus round) of arbour holes.** Blades that do not match the mounting hardware of the saw will run off-centre, causing loss of control.
- ▶ **Never use damaged or incorrect blade washers or bolt.** The blade washers and bolt were specially designed for your saw, for optimum performance and safety of operation.

Kickback causes and related warnings

- kickback is a sudden reaction to a pinched, jammed or misaligned saw blade, causing an uncontrolled saw to lift up and out of the workpiece toward the operator;
- when the blade is pinched or jammed tightly by the kerf closing down, the blade stalls and the motor reaction drives the unit rapidly back toward the operator;
- if the blade becomes twisted or misaligned in the cut, the teeth at the back edge of the blade can dig into the top surface of the wood causing the blade to climb out of the kerf and jump back toward the operator.

Kickback is the result of saw misuse and/or incorrect operating procedures or conditions and can be avoided by taking proper precautions as given below.

- ▶ **Maintain a firm grip with both hands on the saw and position your arms to resist kickback forces. Position your body to either side of the blade, but not in line with the blade.** Kickback could cause the saw to jump backwards, but kickback forces can be controlled by the operator, if proper precautions are taken.
- ▶ **When blade is binding, or when interrupting a cut for any reason, release the trigger and hold the saw motionless in the material until the blade comes to a complete stop. Never attempt to remove the saw from the work or pull the saw backward while the blade is in motion or kickback may occur.** Investigate and take corrective actions to eliminate the cause of blade binding.
- ▶ **When restarting a saw in the workpiece, centre the saw blade in the kerf so that the saw teeth are not engaged into the material.** If a saw blade binds, it may walk up or kickback from the workpiece as the saw is restarted.
- ▶ **Support large panels to minimise the risk of blade pinching and kickback.** Large panels tend to sag under their own weight. Supports must be placed under the panel on both sides, near the line of cut and near the edge of the panel.
- ▶ **Do not use dull or damaged blades.** Unsharpened or improperly set blades produce narrow kerf causing excessive friction, blade binding and kickback.
- ▶ **Blade depth and bevel adjusting locking levers must be tight and secure before making the cut.** If blade adjustment shifts while cutting, it may cause binding and kickback.
- ▶ **Use extra caution when sawing into existing walls or other blind areas.** The protruding blade may cut objects that can cause kickback.

Lower guard function

- ▶ **Check the lower guard for proper closing before each use. Do not operate the saw if the lower guard does not move freely and close instantly. Never clamp or tie the lower guard into the open position.** If the saw is accidentally dropped, the lower guard may be bent. Raise the lower guard with the retracting handle and make sure it moves freely and does not touch the blade or any other part, in all angles and depths of cut.
- ▶ **Check the operation of the guard return spring. If the guard and the spring are not operating properly, they must be serviced before use.** Lower guard may operate sluggishly due to damaged parts, gummy deposits, or a build-up of debris.
- ▶ **The lower guard may be retracted manually only for special cuts such as "plunge cuts" and "compound cuts". Raise the lower guard by the retracting handle and as soon as the blade enters the material, the lower guard must be released.** For all other sawing, the lower guard should operate automatically.
- ▶ **Always observe that the lower guard is covering the blade before placing the saw down on bench or floor.** An unprotected, coasting blade will cause the saw to walk backwards, cutting whatever is in its path. Be aware of the time it takes for the blade to stop after switch is released.

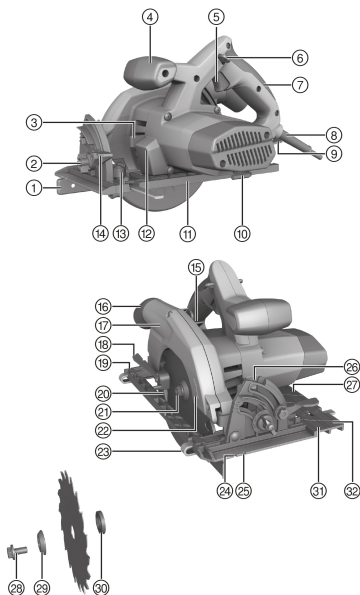


2.3 Additional safety instructions for circular saws

- ▶ Bring the saw blade into contact with the workpiece only when the circular saw is switched on.
 - ↳ The path of the saw must be free of obstructions above and below the workpiece. Do not saw into screws, nails or similar objects.
- ▶ Never work overhead with a circular saw.
- ▶ Never attempt to brake the saw blade by applying lateral pressure.
- ▶ Avoid overheating the tips of the saw blade teeth.
- ▶ When cutting plastic, avoid melting the plastic.
- ▶ Always use a saw blade that is suitable for the material you are going to saw.
- ▶ Use only saw blades recommended by Hilti that comply with the EN 847-1 standard.

3 Description

3.1 Product overview



- ① Single-arm fence
- ② Cutting angle setting
- ③ Spindle lock button
- ④ Auxiliary grip
- ⑤ On/off switch
- ⑥ Switch-on interlock release button
- ⑦ Grip
- ⑧ Electric supply cable
- ⑨ Clamping lever for cutting depth adjustment
- ⑩ Hex key
- ⑪ Small base plate
- ⑫ LED illumination
- ⑬ Front clamping lever for the fence
- ⑭ Clamping lever for cutting angle adjustment
- ⑮ Cutting depth scale
- ⑯ Hose connector (vacuum cleaner)
- ⑰ Guard
- ⑱ Pivoting guard operating lever
- ⑲ Rear clamping lever for the fence (only with large base plate)
- ⑳ Pivoting guard
- ㉑ Arbor
- ㉒ Direction-of-rotation arrow
- ㉓ Twin-arm fence
- ㉔ 0° cutting line indicator
- ㉕ 45° cutting line indicator
- ㉖ Cutting angle scale
- ㉗ Large base plate
- ㉘ Clamping screw
- ㉙ Clamping flange
- ㉚ Mounting flange
- ㉛ 0° indicator on the base plate
- ㉜ 1° - 50° indicator on the base plate

3.2 Overview of the guide rail adapter

- ③③ Rear retaining lug
- ③④ Front retaining lug
- ③⑤ 0° indicator
- ③⑥ 1° - 50° indicator



3.3 Intended use

The product described is a circular saw. It is designed for cutting wood or wood-like materials, plastics, gypsum plasterboard, gypsum fiberboard and composite materials, up to a cutting depth of 55 mm, and for miter cuts at angles up to 50°.

3.3.1 Possible misuse

Do not use saw blades not compliant with the technical data and do not use cutting discs, abrasive wheels or saw blades made of highly alloyed high speed steel (HSS steel). Do not use this power tool to saw metal.

3.4 Items supplied

Circular saw, saw blade, hex key, rip fence, operating instructions.



To help ensure safe and reliable operation, use only genuine Hilti spare parts and consumables. Spare parts, consumables and accessories approved by Hilti for use with the product can be found at your local **Hilti Store** or online at: **www.hilti.group**

4 Technical data

4.1 Technical data



For rated voltage, frequency, current and input power, please refer to the country-specific type identification plate.

If the device is powered by a generator or transformer, the generator or transformer's power output must be at least twice the rated input power shown on the rating plate of the device. The operating voltage of the transformer or generator must always be within +5 % and -15 % of the rated voltage of the device.

Weight, small base plate	4.5 kg
Weight, large base plate	4.7 kg
Saw blade diameter	160 mm ... 165 mm
Saw blade disc thickness	1.1 mm ... 1.5 mm
Saw blade arbor size	20 mm
Cutting depth at 0°	0 mm ... 55 mm
Cutting depth at 45°	0 mm ... 41 mm
Cutting depth at 50°	0 mm ... 37 mm
No-load speed	5,500 /min

4.2 Noise information and vibration values in accordance with EN 62841

The sound pressure and vibration values given in these instructions were measured in accordance with a standardized test and can be used to compare one power tool with another. They can also be used for a preliminary assessment of exposure.

The data given represent the main applications of the power tool. However, if the power tool is used for different applications, with different accessory tools, or is poorly maintained, the data can vary. This can significantly increase exposure over the total working period.

An accurate estimation of exposure should also take into account the times when the tool is switched off, or when it is running but not actually being used for a job. This can significantly reduce exposure over the total working period.

Identify additional safety measures to protect the operator from the effects of noise and/or vibration, for example: maintaining the power tool and accessory tools, keeping the hands warm, organization of work patterns.

Noise information

Sound power level (L_{WA})	101 dB(A)
Sound pressure level (L_{pA})	90 dB(A)
Uncertainty	3 dB(A)



Vibration information

	230 V	110 V
Triaxial vibration value when cutting wood ($a_{h,v}$)	1.77 m/s ² (5.81 ft/s ²)	2.12 m/s ² (6.96 ft/s ²)
Uncertainty (K)	1.5 m/s ²	1.5 m/s ²

5 Operation

5.1 Removing the saw blade

WARNING

Risk of burning injury. A hot accessory tool, clamping flange or clamping screw and the sharp edges of the saw blade present hazards.

- ▶ Wear protective gloves when changing saw blades.

1. Disconnect the supply cord plug from the power outlet.
2. Insert the hex key into the saw blade securing screw.
3. Press the drive spindle lock button and hold it in this position.
4. Turn the saw blade clamping screw with the hex key until the spindle lock button engages fully.
5. Release the clamping screw by turning the hex key in the direction of the direction-of-rotation arrow.
6. Remove the clamping screw from the outer clamping flange.
7. Open the pivoting guard by swinging it to the side and then remove the saw blade.



If necessary, the mounting flange can be removed for cleaning.

5.2 Install saw blade

CAUTION

Risk of damage Unsuitable or incorrectly fitted saw blades may damage the saw.

- ▶ Only use blades which are suitable for this saw. Observe the direction-of-rotation arrow on the saw blade.
- ▶ Use only saw blades equipped with a rated maximum permissible speed that is at least as high as the maximum speed stated on the product.

1. Disconnect the supply cord plug from the power outlet.
2. Clean the mounting flange and the clamping flange.
3. Fit the outer clamping flange the right way round (i.e. facing the right direction).
4. Open the pivoting guard.
5. Fit the new saw blade.
6. Install the outer clamping flange the right way round.
7. Insert the clamping screw.
8. Insert the hex key into the saw blade clamping screw.
9. Secure the clamping flange with the clamping screw by turning it clockwise. At the same time, use one hand to hold down the arbor lock button.
10. Before using the power tool, check that the saw blade is correctly seated and tightened securely.

5.3 Adjusting the cutting depth

1. Disconnect the supply cord plug from the power outlet.
2. Release the cutting depth adjustment clamping lever.
3. Lift the circular saw in a scissoring movement and set the cutting depth.
 - ↳ The cutting depth is shown on the cutting depth scale.



For a clean-edged cut, set cutting depth to the thickness of the material plus 2 mm.

4. Secure the cutting depth adjustment clamping lever.



5.4 Setting the miter cut angle

1. Disconnect the supply cord plug from the power outlet.
2. Release the cutting angle adjustment clamping lever.
3. Pivot the base plate to the desired miter cut angle.
 - ↳ The miter cutting angle is shown on the miter cut angle scale.
4. Tighten the cutting angle adjustment clamping lever.

5.5 Cutting line indicator

At the front edge of the base plate of the circular saw is a line indicator for straight cuts and miter cuts (0° and 45°). This permits accurate cutting at the desired miter angle. The edge of the line indicator corresponds to the inside of the saw blade. There is a cutting line indicator at the opening for the saw blade at the front end of the base plate.

5.5.1 Sawing along a line



Secure the workpiece to prevent movement.

Position the workpiece so that the saw blade is free to rotate beneath it.

Check that the on/off switch on the product is in the “off” position.

Position the forward section of the circular saw's base plate on the workpiece but do not bring the blade into contact with the workpiece.

1. Switch on the circular saw.
2. Guide the circular saw along the cutting line on the workpiece at a suitable speed.

5.6 Sawing with the fence

The single-arm fence can be used to make accurate cuts along the edge of a workpiece or to rip strips of equal width. The fence can be fitted on either side of the base plate.

The twin-arm fence can be used only with the large base plate

When installing the fence, make sure that it is installed right way round.

5.7 Sawing with the guide rail.

Sawing with the guide rail can reduce the risk of kickback.

5.7.1 Inserting into / removing from the guide rail adapter



When using saws with a small base plate, please use a guide rail adapter that fits the guide rail.

1. Remove the fence, if one is fitted.
2. Fit the base plate into the rear retaining lugs of the guide rail adapter.
3. Bring the front edge of the base plate down fully into the guide rail adapter. The base plate must engage fully with the front retaining lug.
4. To remove, pull the front retaining lug forward slightly and remove the circular saw from the guide rail adapter.

5.7.2 Longitudinal cuts at 0°

- ▶ Place the circular saw on the guide rail with the groove marked “0°” on the rib on the rail.

5.7.3 Longitudinal cuts at angles up to 50°



CAUTION

Risk of damage If the saw is engaged in the wrong groove, the saw blade will collide with the guide rail.

- ▶ Place the saw in the correct groove.

- ▶ Place the saw on the guide rail with the groove marked “1°- 50°” on the rib on the rail.



5.7.4 Using the saw on the guide rail

1. Secure the guide rail from below with two screw clamps.
2. Position the circular saw on the guide rail a short distance from the starting point of the cut. Open the guard manually when making longitudinal cuts (ripping) at cutting angles of 20°- 50°.



The saw must be placed on the guide rail behind the workpiece.

Take care to ensure that the saw blade is not in contact with the workpiece.

3. Switch on the circular saw.
4. Push the saw at a steady speed across the workpiece.
 - ↳ At cutting angles under 20° the pivoting guard opens automatically when it makes contact with the lateral actuating edge.
 - ↳ It closes again automatically when the saw leaves the end of the guide rail.

5.8 Sawing with or without sawdust extraction

The circular saw has a connector that fits common types of vacuum cleaner hose with a diameter of 27 mm. A suitable adapter might be required for connecting the vacuum-cleaner hose to the circular saw. If possible, always use a suitable mobile dust removal system for wood and wood and mineral materials. If you are working without a sawdust extractor, turn the ejector so that the sawdust is directed away from you.



Always use a filter class P2 dust mask and always ensure adequate ventilation to help minimize exposure to dust.

6 Care and maintenance

6.1 Care and maintenance



WARNING

Electric shock hazard! Attempting care and maintenance with the supply cord connected to a power outlet can lead to severe injury and burns.

- ▶ Always unplug the supply cord before carrying out care and maintenance tasks.

Care

- Carefully remove any dirt that may be adhering to parts.
- Clean the air vents carefully with a dry brush.
- Use only a slightly damp cloth to clean the casing. Do not use cleaning agents containing silicone as these may attack the plastic parts.

Maintenance



WARNING

Danger of electric shock! Improper repairs to electrical components may lead to serious injuries including burns.

- ▶ Repairs to the electrical section of the tool or appliance may be carried out only by trained electrical specialists.
- Check all visible parts and controls for signs of damage at regular intervals and make sure that they all function correctly.
- Do not operate the product if signs of damage are found or if parts malfunction. Have it repaired immediately by **Hilti** Service.
- After cleaning and maintenance, fit all guards or protective devices and check that they function correctly.



To help ensure safe and reliable operation, use only genuine Hilti spare parts and consumables. Spare parts, consumables and accessories approved by Hilti for use with the product can be found at your local **Hilti Store** or online at: www.hilti.group.

6.2 Checks after cleaning and maintenance



After cleaning or maintenance, check that all safety devices are fitted and that they function faultlessly.



- ▶ To check the pivoting guard, open the guard fully by moving the guard operating lever.
 - ↳ The pivoting guard must close quickly and completely when the guard operating lever is released.

6.3 Cleaning the ejector



The saw blade must be removed during cleaning if necessary.

1. Disconnect the supply cord plug from the power outlet.
2. Remove the saw blade. → page 7
3. Clean the ejector.
4. Install the saw blade. → page 7
5. Check that moving parts are in full working order and do not jam and make sure there are no parts that are broken or damaged in such a way as to impair operation of the power tool.

6.4 Cleaning the guard

1. Remove the saw blade. → page 7
2. Clean the parts of the guard carefully with a dry brush.
3. Use a suitable tool to remove deposits or cuttings from the inside surfaces of the parts of the guard.
4. Install the saw blade. → page 7

7 Troubleshooting

Trouble or fault	Possible cause	Action to be taken
The power tool does not develop full power.	The extension cord is too long or its gauge is inadequate.	▶ Use an extension cord of an approved length and/or of adequate gauge.
	The voltage provided by the electric supply is too low.	▶ Connect the power tool to a different electric supply.
The power tool does not work.	Interruption in the electric supply.	▶ Plug in another power tool or appliance and check whether it works.
	The supply cord or plug is defective.	▶ Have the power cord or the plug checked by a trained electrical specialist, and if necessary replaced by Hilti service.
	The on / off switch is defective.	▶ Have the product repaired by Hilti Service.
	The carbon brushes are worn.	▶ Have the product repaired by Hilti Service.
No suction power or reduced suction power	The chip ejector channel is blocked.	▶ Clean the ejector. → page 10
The pivoting guard does not close.	Safety device is clogged.	▶ Clean the guard. → page 10
The power tool vibrates more than usual.	The saw blade is fitted incorrectly.	▶ Remove the saw blade and install it again correctly.

8 Disposal

Most of the materials from which **Hilti** tools and appliances are manufactured can be recycled. The materials must be correctly separated before they can be recycled. In many countries, your old tools, machines or appliances can be returned to **Hilti** for recycling. Ask **Hilti** Service or your Hilti representative for further information.



- ▶ Do not dispose of power tools, electronic equipment or batteries as household waste!



9 RoHS (Restriction of Hazardous Substances)

Click on the link to go to the table of hazardous substances: qr.hilti.com/r2937786.
There is a link to the RoHS table, in the form of a QR code, at the end of this document.

10 Manufacturer's warranty

- ▶ Please contact your local **Hilti** representative if you have questions about the warranty conditions.



1 Oplysninger vedrørende dokumentationen

1.1 Vedrørende denne dokumentation

- Læs denne dokumentation igennem før ibrugtagning. Det er en forudsætning for sikkert arbejde og korrekt håndtering.
- Følg sikkerheds- og advarselshenvisningerne i denne dokumentation og på produktet.
- Opbevar altid brugsanvisningen sammen med produktet, og overdrag det kun til andre personer sammen med denne anvisning.

1.2 Tegnforklaring

1.2.1 Advarsler

Advarsler advarer mod farer ved håndtering af produktet. Følgende signalford anvendes:



FARE

FARE !

- ▶ Betegner en umiddelbart truende fare, der kan medføre alvorlige kvæstelser eller døden.



ADVARSEL

ADVARSEL !

- ▶ Står ved en potentielt truende fare, der kan medføre alvorlige kvæstelser eller døden.



FORSIGTIG

FORSIGTIG !

- ▶ Betegner en potentielt farlig situation, der kan forårsage lettere personskader eller materielle skader.

1.2.2 Symboler i denne dokumentation

Følgende symboler anvendes i denne dokumentation:

	Læs brugsanvisningen før brug
	Anvisninger for anvendelse og andre nyttige oplysninger
	Håndtering af genvindbare materialer
	Elektriske maskiner og batterier må ikke bortskaffes som almindeligt husholdningsaffald

1.2.3 Symboler i illustrationer

Følgende symboler anvendes på illustrationer:

	Disse tal henviser til de forskellige illustrationer i begyndelsen af brugsanvisningen
	Nummereringen udtrykker arbejdsstrinnenes rækkefølge på illustrationen og kan afvige fra arbejdsstrinnene i teksten
	Positionsnumre anvendes i illustrationen Oversigt og refererer til tallene i symbolforklaringen i afsnittet Produktoversigt
	Dette symbol skal sikre skærpet opmærksomhed ved omgang med produktet.

1.3 Produktspecifikke symboler

1.3.1 Symboler på produktet

Følgende symboler kan anvendes på produktet:

	Trådløs dataoverførsel
--	------------------------



n_0	Nominelt omdrejningstal ubelastet
	Kapslingsklasse II (dobbeltsoleneret)
	Savklinge

1.4 Produktoplysninger

HILTI-produkter er beregnet til professionel brug og må kun betjenes, efterses og vedligeholdes af autoriseret og instrueret personale. Dette personale skal i særdeleshed informeres om de potentielle farer, der er forbundet med anvendelsen af denne maskine. Der kan opstå farlige situationer ved anvendelse af produktet og det tilhørende udstyr, hvis det anvendes af personer, der ikke er blevet undervist i dens brug, eller hvis det ikke anvendes korrekt i henhold til forskrifterne i denne brugsanvisning.

Typebetegnelse og serienummer fremgår af typeskiltet.

- ▶ Notér serienummeret i den efterfølgende tabel. Du skal bruge produktoplysningerne ved henvendelser til vores lokale afdeling eller vores serviceværksted.

Produktoplysninger

Rundsav	SC 55W
Generation	01
Serienummer	

1.5 Overensstemmelseserklæring

Vi erklærer som eneansvarlige, at det beskrevne produkt er i overensstemmelse med gældende direktiver og standarder. Sidst i dette dokument finder du et billede af overensstemmelseserklæringen.

Den tekniske dokumentation er arkiveret her:

Hilti Entwicklungsgesellschaft mbH | Zulassung Geräte | Hiltistraße 6 | 86916 Kaufering, DE

2 Sikkerhed

2.1 Generelle sikkerhedsanvisninger for elværktøj

⚠ ADVARSEL Læs alle sikkerhedsanvisninger, henvisninger, billedtekster og tekniske data på elværktøjet. Hvis følgende anvisninger ikke overholdes, er der risiko for elektrisk stød, brand og/eller alvorlige personskader.

Opbevar alle sikkerhedsanvisninger og instruktioner til senere brug.

Det benyttede begreb "elværktøj" i sikkerhedsanvisningerne refererer til elektriske maskiner (med netledning) eller batteridrevne maskiner (uden netledning).

Arbejdspladssikkerhed

- ▶ **Sørg for at holde arbejdsområdet ryddeligt og godt oplyst.** Uorden eller uoplyste arbejdsområder øger faren for uheld.
- ▶ **Brug ikke elværktøj i eksplosionstruede omgivelser, hvor der er brændbare væsker, gasser eller støv.** Elværktøj kan slå gnister, der kan antænde støv eller dampe.
- ▶ **Sørg for, at andre personer og ikke mindst børn holdes væk fra arbejdsområdet, når elværktøjet er i brug.** Hvis man distraheres, kan man miste kontrollen over maskinen.

Elektrisk sikkerhed

- ▶ **Elværktøjets stik skal passe til kontakten. Stikket må under ingen omstændigheder ændres. Brug ikke adapterstik sammen med jordforbundne elværktøj.** Uændrede stik, der passer til kontakterne, nedsætter risikoen for elektrisk stød.
- ▶ **Undgå kropskontakt med jordforbundne overflader som f.eks. rør, radiatorer, komfurer og køleskabe.** Hvis din krop er jordforbundet, øges risikoen for elektrisk stød.
- ▶ **Elværktøj må ikke udsættes for regn eller fugt.** Indtrængning af vand i elværktøj øger risikoen for elektrisk stød.
- ▶ **Brug ikke ledningen til formål, den ikke er beregnet til (f.eks. må man aldrig bære elværktøjet i ledningen, hænge det op i ledningen eller rykke i ledningen for at trække stikket ud af kontakten).** Beskyt ledningen mod varme, olie, skarpe kanter eller dele, der er i bevægelse. Beskadigede eller sammenviklede ledninger øger risikoen for elektrisk stød.
- ▶ **Hvis elværktøjet benyttes i det fri, må der kun benyttes en forlængerledning, der er egnet til udendørs brug.** Brug af forlængerledning til udendørs brug nedsætter risikoen for elektrisk stød.



- ▶ Hvis det ikke kan undgås at anvende elværktøjet i fugtige omgivelser, skal du anvende et fejlstrømsrelæ. Anvendelsen af et fejlstrømsrelæ nedsætter risikoen for et elektrisk stød.

Personlig sikkerhed

- ▶ **Det er vigtigt at være opmærksom, se, hvad man laver, og bruge maskinen fornuftigt. Anvend aldrig elværktøj, hvis du er træt eller påvirket af stoffer, alkohol eller medicin.** Et øjeblikks uopmærksomhed under brugen af elværktøjet kan medføre alvorlige personskader.
- ▶ **Brug beskyttelsesudstyr, og hav altid beskyttelsesbriller på.** Brug af sikkerhedsudstyr som f.eks. støvmaske, skridsikket fodtøj, beskyttelseshjelm eller høreværn afhængigt af elværktøjets type og anvendelse nedsætter risikoen for personskader.
- ▶ **Undgå utilsigtet igangsætning. Kontrollér, at elværktøjet er frakoblet, før du slutter det til strømforsyningen og/eller batteriet, tager det op eller transporterer det.** Undgå at bære elværktøjet med fingeren på afbryderen, og sørg for, at det ikke er tændt, når det slutes til nettet, da dette øger risikoen for personskader.
- ▶ **Fjern indstillingsværktøj eller skruenøgler, inden elværktøjet tændes.** Hvis et stykke værktøj eller en nøgle sidder i en roterende maskindel, er der risiko for personskader.
- ▶ **Undgå at arbejde i unormale kropstillinger. Sørg for at stå sikkert, mens der arbejdes, og kom ikke ud af balance.** Det er derved nemmere at kontrollere elværktøjet, hvis der skulle opstå uventede situationer.
- ▶ **Brug egnet arbejdstøj. Undgå løse beklædningsgenstande eller smykker. Hold hår, tøj og handsker væk fra dele, der bevæger sig.** Dele, der er i bevægelse, kan gribe fat i løstsiddende tøj, smykker eller langt hår.
- ▶ **Hvis støvudsugnings- og opsamlingsudstyr kan monteres, er det vigtigt, at dette tilsluttes og benyttes korrekt.** Ved at anvende en støvudsugning er det muligt at nedsætte risiciene som følge af støv.
- ▶ **Man må ikke ignorere sikkerhedsreglerne for elværktøj, heller ikke selvom man er fortrolig med brugen af elværktøjet.** Uagtsomhed kan medføre alvorlig tilskadekomst inden for få sekunder.

Anvendelse og pleje af elværktøjet

- ▶ **Undgå at overbelaste maskinen. Brug altid en maskine, der er beregnet til det stykke arbejde, der skal udføres.** Med det rigtige værktøj arbejder man bedst og mest sikkert inden for det angivne effektområde.
- ▶ **Brug ikke elværktøj, hvis afbryderen er defekt.** En maskine, der ikke kan startes og stoppes, er farlig og skal repareres.
- ▶ **Træk stikket ud af stikkontakten, og/eller fjern batteriet fra maskinen, inden du foretager indstillinger på den, skifter tilbehør og dele eller lægger den til side.** Disse sikkerhedsforanstaltninger forhindrer utilsigtet start af elværktøjet.
- ▶ **Opbevar ubenyttede elværktøjer uden for børns rækkevidde. Lad aldrig personer, der ikke er fortrolige med maskinen eller ikke har gennemlæst sikkerhedsanvisningerne, benytte denne.** Elværktøj er farligt, hvis det benyttes af ukyndige personer.
- ▶ **Sørg for at pleje elværktøj omhyggeligt. Kontrollér, om bevægelige dele fungerer korrekt og ikke sidder fast, og om delene er brækket eller beskadiget, således at elværktøjets funktion påvirkes. Få beskadigede dele repareret, inden elværktøjet tages i brug.** Mange uheld skyldes dårligt vedligeholdte elværktøjer.
- ▶ **Sørg for, at skæreværktøjer er skarpe og rene.** Omhyggeligt vedligeholdte skæreværktøjer med skarpe skærekanter sætter sig ikke så hurtigt fast og er nemmere at føre.
- ▶ **Anvend elværktøj, tilbehør, indsatsværktøj osv. i overensstemmelse med disse anvisninger. Tag hensyn til arbejdsforholdene og det arbejde, der skal udføres.** I tilfælde af anvendelse af maskinen til formål, som ligger uden for det fastsatte anvendelsesområde, kan der opstå farlige situationer.
- ▶ **Sørg for, at greb og gribeflader er tørre, rene og fri for olie og fedt.** Glatte greb og gribeflader gør betjeningen usikker, og det kan være svært at styre elværktøjet i uforudsete situationer.

Service

- ▶ **Sørg for, at elværktøjet kun repareres af kvalificerede fagfolk, og at der altid benyttes originale reservedele.** Dermed sikres størst mulig elværktøjssikkerhed.

2.2 Sikkerhedsanvisninger for alle save

Savemetode

- ▶ **⚠ FARE! Hold hænderne væk fra saveområdet og savklingen. Hold fast på ekstragrebet eller motorhuset med den anden hånd.** Hvis du bruger begge hænder til at holde sagen, kommer du ikke til skade med hænderne på savklingen.



- ▶ **Tag ikke fat under emnet.** Beskyttelsesafskærmningen yder dig ikke beskyttelse mod savklingen under emnet.
- ▶ **Tilpas skæredybden til emnets tykkelse.** Der må højst kunne ses en fuld tandhøjde under emnet.
- ▶ **Hold aldrig emnet i hånden eller over et ben. Fastgør emnet på en stabil holder.** Det er vigtigt, at emnet fastgøres ordentligt for at minimere faren for kropskontakt, klemning af savklingen eller tab af kontrol over saven.
- ▶ **Hold kun elværktøjet på de isolerede grebsflader, når du udfører opgaver, hvor indsatsværktøjet kan ramme skjulte elledninger eller maskinens eget netkabel.** Ved kontakt med en spændingsførende ledning sættes også elværktøjets metaldele under spænding, hvilket kan medføre elektrisk stød.
- ▶ **Ved savning på langs skal du altid anvende et anslag eller et lige kantstyr.** Dette forbedrer savnøjagtigheden og nedsætter muligheden for klemning af savklingen.
- ▶ **Anvend altid savklinger i den rigtige størrelse og med passende savklingeborring, f.eks. stjerneformet eller rund.** Savklinger, som ikke passer til savens monteringsdele, kører ujævnt og medfører, at du taber kontrollen over saven.
- ▶ **Anvend aldrig beskadigede eller forkerede savklingeunderlagsskiver eller -skruer.** Savklingeunderlagsskiverne og -skruerne er konstrueret specielt til saven med henblik på en optimal ydelse og driftssikkerhed.

Tilbageslag - årsager og tilsvarende sikkerhedsanvisninger

- Et tilbageslag er en pludselig reaktion som følge af en fatsiddende, fastklemt eller forkert justeret savklinge, som medfører, at en ukontrolleret sav kravler op af savsporet og bevæger sig i retning af brugeren;
- Hvis savklingen kommer til at hænge fast eller klemmes fast i et savspor, som lukkes sammen, blokeres den, og motorkraften slår saven tilbage i retning af brugeren;
- Hvis savklingen drejes eller vendes forkert i savsporet, kan tænderne på savklingsens bageste kant sætte sig fast i emnet, så savklingen kravler op af savsporet, og saven springer tilbage mod brugeren.

Et tilbageslag er resultatet af ukorrekt eller fejlagtig brug af saven. Det kan forhindres ved at træffe passende forholdsregler som beskrevet i det følgende.

- ▶ **Hold saven fast med begge hænder, og anbring dine arme i en position, hvor du kan absorbere tilbageslagskræfterne. Hold dig altid på siden af savklingen, anbring aldrig kroppen på linje med savklingen.** I tilfælde af et tilbageslag kan rundsaven springe baglæns, men brugeren kan dog beherske tilbageslagskræfterne, hvis der træffes egnede foranstaltninger.
- ▶ **Hvis savklingen sætter sig fast, eller du afbryder arbejdet, skal du slukke saven og holde den stille i materialet, indtil saven står helt stille. Forsøg aldrig at tage saven ud af emnet eller trække den baglæns, så længe savklingen bevæger sig, da der ellers er risiko for et tilbageslag.** Find og afhjælp årsagen til fastklemningen af savklingen.
- ▶ **Hvis du vil starte en sav, som befinder sig i et emne, skal du centrere savklingen i savsporet og kontrollere, at savtænderne ikke sidder fast i emnet.** Hvis savklingen er fastklemt, kan den bevæge sig ud af emnet eller medføre et tilbageslag, hvis saven startes igen.
- ▶ **Understøt store plader for at reducere risikoen for et tilbageslag som følge af en fastklemt savklinge.** Store plader kan bøje nedad som følge af deres egen vægt. Plader skal understøttes i begge sider, både i nærheden af savsporet og i kanterne.
- ▶ **Anvend ikke sløve eller beskadigede savklinger.** Savklinger med sløve eller forkert justerede tænder medfører som følge af et for smalt savspor en højere friktion, fastklemning af savklingen og tilbageslag.
- ▶ **Spænd skæredybde- og skærevinkelindstillingerne fast før savningen.** Hvis indstillingerne ændrer sig under savningen, kan savklingen sætte sig fast og medføre tilbageslag.
- ▶ **Vær specielt forsigtig ved savning i eksisterende vægge eller andre områder, hvor du ikke kan se, hvad de indeholder.** Den nedykkende savklinge kan blokere ved savning i skjulte genstande og medføre et tilbageslag.

Den nederste beskyttelsesafskærmnings funktion

- ▶ **Kontrollér hver gang før brug, om den nederste beskyttelsesafskærmning lukker fejlfrit. Anvend ikke saven, hvis den nederste beskyttelsesafskærmning ikke kan bevæges frit og lukker omgående. Det er ikke tilladt at fastgøre eller fastbinde den nederste beskyttelsesafskærmning i åbnet position.** Hvis saven ved en fejl tabes på jorden, kan den nederste beskyttelsesafskærmning blive bøjet. Åbn beskyttelsesafskærmningen med trækarmen, og kontrollér, at afskærmningen bevæger sig frit og ikke berører savklingen eller andre dele ved nogen skærevinkel og -dybde.
- ▶ **Kontrollér funktionen af fjederen til den nederste beskyttelsesafskærmning. Få efterset saven før brug, hvis den nederste beskyttelsesafskærmning og fjeder ikke fungerer fejlfrit.** Beskadigede dele, klæbrige aflejringer eller ophobninger af spåner kan betyde, at beskyttelsesafskærmningen reagerer langsommere.



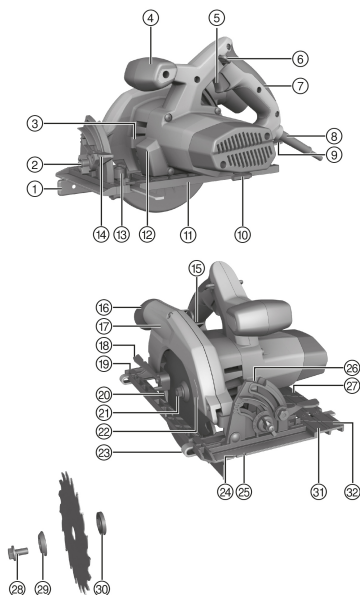
- ▶ **Åbn kun den nederste beskyttelsesafskærmning med hånden ved særlige snit, f.eks. "dyk- og vinkelsnit". Åbn den nederste beskyttelsesafskærmning med trækarmen, og slip den, så snart savklingen dykker ned i emnet.** Ved alle andre saveopgaver skal den nederste beskyttelsesafskærmning arbejde automatisk.
- ▶ **Læg ikke saven på arbejdsbænken eller på gulvet, uden at den nederste beskyttelsesafskærmning dækker savklingen.** En ubeskyttet savklinge med efterløb bevæger saven i den modsatte retning af saveretningen og saver i alt, hvad den støder på. Vær således opmærksom på savens efterløbstid.

2.3 Yderligere sikkerhedsanvisninger for rundsav

- ▶ Før kun rundsaven mod emnet i tændt tilstand.
 - ↳ Skærebanen skal være fri for forhindringer øverst og nederst. Sav ikke i skruer, søm eller lignende.
- ▶ Arbejd aldrig over hovedhøjde med en rundsav.
- ▶ Brems aldrig savklingen ved at trykke på siden.
- ▶ Undgå at savtændernes spidser bliver overophedet.
- ▶ Ved savning af kunststof er det vigtigt, at kunststoffet ikke smelter.
- ▶ Anvend altid en passende savklinge til det underlag, der skal skæres i.
- ▶ Anvend altid savklinger, som anbefales af Hilti, og som opfylder standard EN 847-1.

3 Beskrivelse

3.1 Produktoversigt



- ① Parallelanslag enarmet
- ② Forudindstilling for skærevinkel
- ③ Spindellåseknop
- ④ Ekstragræb
- ⑤ Tænd/sluk-knap
- ⑥ Startspærre
- ⑦ Håndgreb
- ⑧ Netledning
- ⑨ Klemgreb til indstilling af skæredybde
- ⑩ Unbrakonøgle
- ⑪ Grundplade lille
- ⑫ LED-belysning
- ⑬ Klemgreb til parallelanslag foran
- ⑭ Klemgreb til indstilling af skærevinkel
- ⑮ Skæredybdeskala
- ⑯ Tilslutningsstuds (støvsuger)
- ⑰ Beskyttelsesafskærmning
- ⑱ Betjeningsgreb til pendulbeskyttelsesafskærmning
- ⑲ Klemgreb til parallelanslag bag (kun til stor grundplade)
- ⑳ Pendulbeskyttelsesafskærmning
- ㉑ Drevspindel
- ㉒ Rotationsretningspil
- ㉓ Parallelanslag toarmet
- ㉔ Skæremarkering 0°
- ㉕ Skæremarkering 45°
- ㉖ Skærevinkelskala
- ㉗ Grundplade, stor
- ㉘ Spændeskruer
- ㉙ Spændeflange
- ㉚ Holdeflange
- ㉛ Notmarkering 0° grundplade
- ㉜ Notmarkering 1°- 50°, grundplade



3.2 Oversigt over styreskinneadapter 2

- | | | | |
|----|------------------|----|---------------------|
| ③③ | Holdestykker bag | ③⑤ | Notmarkering 0° |
| ③④ | Holdelaske for | ③⑥ | Notmarkering 1°-50° |

3.3 Bestemmelsesmæssig anvendelse

Det beskrevne produkt er en rundsav. Den er beregnet til saveopgaver i træ eller trælige materialer, kunststoffer, gipsplader, gipsfiberplader og kompositmaterialer indtil en skæredybde på 55 mm samt geringsnit op til 50°.

3.3.1 Potentiel forkert brug

Det er ikke tilladt at anvende savklinger, som ikke opfylder oplysningerne under tekniske data, skæreskiver, slibeskiver samt savklinger af højtlegeret, hårdt HSS-stål. Det er ikke tilladt at save i metal.

3.4 Leveringsomfang

Rundsav, savklinge, unbrakonøgle, parallelanslag, brugsanvisning.



Anvend kun originale reservedele og forbrugsmaterialer af hensyn til en sikker drift. Reservedele, forbrugsmaterialer og tilbehør til dit produkt, som vi har godkendt, finder du i dit **Hilti Store Center** eller under: www.hilti.group

4 Tekniske data

4.1 Tekniske data



Nominal spænding, nominal strøm, frekvens og nominelt strømforbrug fremgår af det landespecifikke typeskilt.

Ved drift på en generator eller transformator skal dennes udgangseffekt være mindst dobbelt så høj som det nominelle strømforbrug, der fremgår af maskinens typeskilt. Transformatorens eller generatorens driftsspænding skal til enhver tid ligge inden for +5 % og -15 % af maskinens nominelle spænding.

Vægt, lille grundplade	4,5 kg
Vægt, stor grundplade	4,7 kg
Savklingediameter	160 mm ... 165 mm
Savklingernes stamklingetykkelse	1,1 mm ... 1,5 mm
Savklingeboring	20 mm
Skæredybde ved 0°	0 mm ... 55 mm
Skæredybde ved 45°	0 mm ... 41 mm
Skæredybde ved 50°	0 mm ... 37 mm
Omdrejningstal, ubelastet	5.500/min

4.2 Støjinformation og vibrationsværdier iht. EN 62841

Lydtryk- og vibrationsværdier i denne brugsanvisning er målt i henhold til en standardiseret målemetode og kan anvendes til sammenligning af forskellige elværktøjer. De kan også anvendes til en foreløbig vurdering af den eksponering, brugeren udsættes for.

De anførte data repræsenterer elværktøjets primære anvendelsesformål. Hvis elværktøjet imidlertid anvendes til andre formål, med andre indsatsværktøjer eller utilstrækkelig vedligeholdelse, kan dataene afvige. Dette kan forøge den eksponering, som brugeren udsættes for, i hele arbejdstiden markant.

For at opnå en præcis vurdering af den eksponering, som brugeren udsættes for, bør også den tid, hvor maskinen er slukket eller blot kører uden at blive anvendt, inddrages. Dette kan reducere den eksponering, som brugeren udsættes for, i hele arbejdstiden markant.

Fastlæg yderligere sikkerhedsforanstaltninger til beskyttelse af brugeren mod støj- og/eller vibrationspåvirkninger, f.eks. er det vigtigt at vedligeholde elværktøj og indsatsværktøj, at holde hænderne varme og at organisere arbejdsprocesserne.



Støjinformation

Lydeffektniveau (L_{WA})	101 dB(A)
Lydtrykniveau (L_{pA})	90 dB(A)
Usikkerhed	3 dB(A)

Vibrationsoplysninger

	230 V	110 V
Triaksial vibrationsværdi ved savning i træ (a_h)	1,77 m/s ² (5,81 ft/s ²)	2,12 m/s ² (6,96 ft/s ²)
Usikkerhed (K)	1,5 m/s ²	1,5 m/s ²

5 Betjening**5.1 Afmontering af savklinge **** ADVARSEL**

Fare for forbrændinger Fare på grund af meget varmt værktøj, spændeflange eller spændeskruer og skarpe savklinge kanter.

► Brug derfor altid beskyttelseshandsker, når du skifter værktøj.

1. Træk stikket ud af stikkontakten.
2. Sæt unbrakonøglen på monteringskruen til savklingen.
3. Tryk på spindellåseknappen, og hold den inde.
4. Drej spændeskruen til savklingen med unbrakonøglen, indtil spindellåseknappen er helt i indgreb.
5. Løsn spændeskruen med unbrakonøglen ved at dreje den i retningspilens retning.
6. Tag spændeskruen og den udvendige spændeflange af.
7. Åbn pendulbeskyttelsesafskærmningen ved at svinge den til side, og fjern savklingen.




Om nødvendigt kan holdeflangen tages af i forbindelse med rengøring.

5.2 Montering af savklinge ** FORSIGTIG**

Fare for beskadigelse Uegnede eller forkert isatte savklinger kan beskadige saven.

- Anvend kun savklinger, som egner sig til denne sav. Vær opmærksom på pilen på savklingen, som angiver rotationsretningen.
- Anvend kun savklinger, hvis tilladte omdrejningstal er mindst så højt som det maksimale omdrejningstal, der er angivet på produktet.

1. Træk stikket ud af stikkontakten.
2. Rengør holde- og spændeflanger.
3. Sæt holdeflangen på, og sørg for, at den vender rigtigt.
4. Åbn pendulbeskyttelsesafskærmningen.
5. Indsæt den nye savklinge.
6. Sæt den udvendige spændeflange på, og sørg for, at den vender rigtigt.
7. Isæt spændeskruen.
8. Sæt unbrakonøglen på spændeskruen til savklingen.
9. Fastgør spændeflanger med spændeskruen ved at dreje den i urets retning. Hold samtidig spindellåseknappen nede med den ene hånd.
10. Kontrollér, at savklingen sidder korrekt og godt fast før ibrugtagning.

5.3 Indstilling af skæredybde 

1. Træk stikket ud af stikkontakten.
2. Løsn klemgrebet til indstilling af skæredybden



- Løft rundsaven i en sakseformet bevægelse, og indstil skæredybden.
 - Skæredybden vises på skæredybdeskalaen.



For at få en pæn skærekant bør skæredybden svare til materialetykkelsen plus 2 mm.

- Fastgør klemgrebet for at indstille skæredybden

5.4 Indstilling af skærevinkel

- Træk stikket ud af stikkontakten.
- Løsn klemgrebet til indstilling af skærevinkel.
- Sving grundpladen til den ønskede skærevinkel.
 - Skærevinklen vises på skærevinkelskalaen.
- Spænd klemgrebet til indstilling af skærevinkel.

5.5 Opmærkningsviser

På rundsavens forreste grundplade sidder der, både til lige snit og vinkelsnit, en opmærkningsviser (0° og 45°). Med den er det muligt at udføre et præcist snit alt efter den valgte snitvinkel. Opmærkningskanten svarer til indersiden af savklingen. En opmærkningsviser befinder sig på den forreste udskæring til savklingen.

5.5.1 Savning efter opmærkning



Fastgør emnet, så det ikke kan forrykke sig.

Placer emnet, så savklingen ikke rammer noget under emnet.

Forvis dig om, at tænd/sluk-knappen på produktet er slukket.

Anbring rundsaven med grundpladen på emnet, så savklingen endnu ikke har kontakt med emnet.

- Tænd rundsaven.
- Før rundsaven gennem emnet i et egnet arbejdstempo langs med opmærkningen.

5.6 Savning med parallelanslag

Med det etarmede parallelanslag er det muligt at lave præcise snit langs med kanten af et emne og at save ensartede lister. Parallelanslaget kan monteres på begge sider af grundpladen.

Det toarmede parallelanslag kan kun anvendes med den store grundplade.

Vær opmærksom på, at parallelanslaget vender korrekt ved monteringen.

5.7 Savning med styreskinne

Savning med styreskinne kan reducere risikoen for tilbageslag.

5.7.1 Indsætning i/udtagning af rundsaven i styreskinneadapter



På save med en lille grundplade skal du anvende en føringsskinneadapter, som passer til føringsskinnen.

- Fjern et eventuelt monteret parallelanslag.
- Før grundpladen ind i de bageste holdelasker på styreskinneadapteren.
- Indsæt grundpladen helt ind i styreskinneadapteren foran. Grundpladen skal gå helt i indgreb på den forreste holdelasse.
- For at tage den ud skal du trække den forreste holdelasse lidt fremad og tage rundsaven ud af styreskinneadapteren.

5.7.2 Langsgående snit ved 0°

- Anbring rundsaven ved at placere notmarkeringen "0°" i lasken på styreskinnen.



5.7.3 Langsgående snit ved vinkler op til 50° **11**

FORSIGTIG

Fare for beskadigelse Ved indsætning af saven i den forkerte not vil savklingen kollidere med føringskinnen.

► Indsæt saven i den korrekte not.

► Anbring saven ved at placere notmarkeringen "1-50°" i lasken på styreskinnen.

5.7.4 Savning med styreskinne **12**

1. Fastgør styreskinnen nedefra med to skruevinger.

2. Stil rundsaven op i styreskinnens påsætningsområde. Til langsgående snit ved en skærevinkel på mellem 20° og 50° skal beskyttelsesafskærmningen åbnes manuelt.



Rundsaven skal anbringes på styreskinnen bag emnet.

Sørg for, at savklingen ikke er i kontakt med emnet.

3. Tænd rundsaven.

4. Før rundsaven jævnt hen over emnet.

- ↳ Pendulbeskyttelsesafskærmningen åbner sig ved skærevinkler under 20°, når den berører udløsningskanten i siden.
- ↳ Den lukker igen, når enden af føringskinnen nås.

5.8 Savning med og uden spånudsugning

Rundsaven er forsynet med en tilslutningsstuds, der er beregnet til gængse støvsugerslanger med en diameter på 27 mm. For at slutte støvsugerslangen til rundsaven kan det være nødvendigt med en passende adapter. Anvend så vidt muligt altid en egnet mobil udsugningsanordning til træ eller til træ og mineraler.

Når du arbejder uden spånudsugning, skal du vælge udkastretningen ved at dreje udkastet, så spånerne føres væk fra dig.



Anvend altid et åndedrætsværn med filterklasse P2, og sørg altid for tilstrækkelig ventilation for at opnå en lav støvbelastning.

6 Rengøring og vedligeholdelse

6.1 Rengøring og vedligeholdelse

ADVARSEL

Fare på grund af elektrisk stød! Pleje og vedligeholdelse med isat netstik kan medføre alvorlige personskader og forbrændinger.

► Træk altid netstikket ud før alle pleje- og vedligeholdelsesarbejder!

Pleje

- Fjern forsigtigt fastsiddende snavs.
- Rengør forsigtigt ventilationsåbningerne med en tør børste.
- Rengør kun kabinettet med en let fugtet klud. Undlad at anvende silikoneholdige plejemidler, da de kan angribe plastdelene.

Vedligeholdelse

ADVARSEL

Fare for elektrisk stød! Fagmæssigt ukorrekte reparationer på elektriske dele kan medføre alvorlige personskader og forbrændinger.

► Reparationer på eldelene må kun udføres af en elektriker.

- Kontrollér regelmæssigt alle synlige dele for skader, og at betjeningselementerne fungerer fejlfrit.
- Anvend ikke produktet i tilfælde af beskadigelse og/eller funktionsfejl. Få omgående udført reparation hos **Hilti** Service.
- Monter alle beskyttelsesanordninger efter pleje- og vedligeholdelsesarbejder, og kontrollér dem for funktion.



i Anvend kun originale reservedele og forbrugsmaterialer af hensyn til en sikker drift. Reservedele, forbrugsmaterialer og tilbehør til dit produkt, som vi har godkendt, finder du i dit **Hilti Store Center** eller under: **www.hilti.group**.

6.2 Kontrol efter rengøring og vedligeholdelse

i Kontrollér efter rengørings- og vedligeholdelsesarbejde, at alt sikkerhedsudstyr sidder, som det skal, og fungerer fejlfrit.

- ▶ Du kontrollerer pendulbeskyttelsesafskærmningen ved at åbne denne helt med et tryk på betjeningsgrebet.
 - ↳ Når du slipper betjeningsgrebet, skal pendulbeskyttelsesafskærmningen lukke sig hurtigt og helt.

6.3 Rengøring af spånkanaler

i Om nødvendigt skal du afmontere savklingen under rengøringen.

1. Træk stikket ud af stikkontakten.
2. Afmonter savklingen. → Side 18
3. Rengør spånkanalen.
4. Monter savklingen. → Side 18
5. Kontrollér, om bevægelige dele fungerer korrekt og ikke sidder fast, og om delene er brækket eller beskadiget, således at maskinens funktion påvirkes.

6.4 Rengøring af beskyttelsesanordning


1. Afmonter savklingen. → Side 18
2. Rengør forsigtigt beskyttelsesanordningerne med en tør børste.
3. Fjern aflejringer og spåner inde i beskyttelsesanordningerne med et egnet værktøj.
4. Monter savklingen. → Side 18

7 Fejlsøgning

Fejl	Mulig årsag	Løsning
Maskinen har ikke fuld ydelse.	Forlængerledning for lang og/eller med for lille tværsnit.	▶ Anvend en forlængerledning med godkendt længde og/eller med tilstrækkeligt tværsnit.
	Strømforsyningen har en for lav spænding.	▶ Slut maskinen til en anden strømforsyning.
Maskinen virker ikke.	Strømforsyning afbrudt.	▶ Tilslut en anden elektrisk maskine, og kontrollér dennes funktion.
	Netkablet eller stikket er defekt.	▶ Få netkablet eller stikket kontrolleret af en elektriker og om nødvendigt udskiftet af Hilti Service .
	Afbryder defekt.	▶ Få produktet repareret af Hilti Service .
	Kullene er slidte.	▶ Få produktet repareret af Hilti Service .
Ingen eller nedsat sugeeffekt	Spånkanal tilstoppet.	▶ Rengør spånkanalen. → Side 21
Pendulbeskyttelsesafskærmning lukker ikke.	Beskyttelsesanordning tilstoppet.	▶ Rengør beskyttelsesanordningen. → Side 21
Maskinen vibrerer kraftigere end sædvanligt.	Savklinge forkert monteret.	▶ Afmonter savklingen, og genmonter den korrekt.



8 Bortskaffelse

 Størstedelen af de materialer, som anvendes ved fremstillingen af **Hilti**-produkter, kan genvindes. Materialerne skal sorteres, før de kan genvindes. I mange lande modtager **Hilti** dine udtjente maskiner med henblik på genvinding. Spørg **Hilti** kundeservice eller din forhandler.



- ▶ Elværktøj, elektriske maskiner og batterier må ikke bortskaffes sammen med almindeligt husholdningsaffald!
-

9 RoHS (direktiv til begrænsning af anvendelsen af farlige stoffer)

Under følgende link finder du tabellen med farlige stoffer: qr.hilti.com/r2937786.

Et link til RoHS-tabellen finder du i slutningen af denne dokumentation som QR-kode.

10 Producentgaranti

- ▶ Hvis du har spørgsmål vedrørende garantibetingelserne, bedes du henvende dig til din lokale **Hilti**-partner.



1 Uppgifter för dokumentation

1.1 Om denna dokumentation

- Läs denna dokumentation innan du börjar ta enheten i drift. Det är en förutsättning för säkert arbete och problemfri hantering.
- Observera de säkerhets- och varningsanvisningar som du hittar i dokumentationen och på själva enheten.
- Förvara alltid bruksanvisningen tillsammans med produkten och överlämna aldrig produkten till någon annan utan att bifoga den.

1.2 Teckenförklaring

1.2.1 Varningar

Varningarna är till för att varna för risker i samband med användning av produkten. Följande riskindikeringar används:



FARA

FARA !

- ▶ Anger överhängande risker som kan leda till svåra personskador eller dödsolycka.



VARNING

VARNING !

- ▶ Anger potentiella risker som kan leda till svåra personskador eller dödsfall.



FÖRSIKTIGHET

FÖRSIKTIGHET !

- ▶ Används för att fästa uppmärksamhet på en potentiell risksituation som kan leda till skador på person eller utrustning.

1.2.2 Symboler i dokumentationen

I den här dokumentationen används följande symboler:



Läs bruksanvisningen före användning



Anmärkningar och annan praktisk information



Hantering av återvinningsbara material



Elverktyg och batterier får inte kastas i hushållssoporna

1.2.3 Symboler i bilderna

Följande symboler används i bilder:



2 Dessa siffror hänvisar till motsvarande bild i början av bruksanvisningen

3

Numreringen återger ordningsföljden hos arbetsmomenten på bilden och kan skilja sig från arbetsmomenten i texten



På bilden **Översikt** används positionsnummer som hänvisar till siffrorna i teckenförklaringen i avsnittet **Produktöversikt**



Det här tecknet är till för att du ska vara extra uppmärksam på något som gäller hur du hanterar produkten.

1.3 Produktberoende symboler

1.3.1 Symboler på produkten

Följande symboler kan användas på produkten:



	Trådlös dataöverföring
n_0	Nominellt varvtal, obelastat
	Isolationsklass II (dubbelisolerad)
	Sågklinga

1.4 Produktinformation

-produkter är avsedda för professionella användare och får endast användas, underhållas och repareras av auktoriserad, utbildad personal. Personalen måste vara särskilt informerad om de risker som finns. Produkten och dess tillbehör kan utgöra en risk om den används på ett felaktigt sätt av utbildad personal eller inte används enligt föreskrifterna.

Typbeteckning och serienummer anges på typskylten.

- ▶ Använd de serienummer som anges i följande tabell. Du behöver produktuppgifterna när du kontaktar vår återförsäljare eller serviceverkstad.

Produktdetaljer

Cirkelsåg	SC 55W
Generation	01
Serienr	

1.5 Försäkran om överensstämmelse

Vi försäkras på eget ansvar att den produkt som beskrivs här överensstämmer med tillämpliga direktiv och standarder. En bild på försäkran om överensstämmelse hittar du i slutet av dokumentationen.

Den tekniska dokumentationen finns sparad här:

Hilti Entwicklungsgesellschaft mbH | Zulassung Geräte | Hiltistraße 6 | 86916 Kaufering, Tyskland

2 Säkerhet

2.1 Allmänna säkerhetsföreskrifter för elverktyg

⚠ VARNING Läs noga igenom alla säkerhetsföreskrifter, anvisningar, avbildningar och tekniska data som medföljer detta elverktyg. Om nedanstående anvisningar inte följs, finns risk för elektriska stötar, brand och/eller svåra skador.

Förvara alla säkerhetsföreskrifter och anvisningarna på ett säkert ställe för framtida användning.

Begreppet "elverktyg" som används i säkerhetsföreskrifterna avser nätdrivna elverktyg (med nätkabel) och batteridrivna elverktyg (sladdlösa).

Säker arbetsmiljö

- ▶ **Håll arbetsområdet rent och väl belyst.** Oordning eller bristfällig belysning på arbetsplatsen kan leda till olyckor.
- ▶ **Arbeta inte med elverktyget i omgivning med explosionsrisk där det finns brännbara vätskor, gaser eller damm.** Elverktyg alstrar gnistor som kan antända dammet eller gaserna.
- ▶ **Håll barn och obehöriga personer på tryggsamt avstånd under arbetet med elverktyget.** Om du störs av obehöriga personer kan du förlora kontrollen över verktyget.

Elsäkerhet

- ▶ **Elverktygets elkontakt måste passa till vägguttaget. Elkontakten får absolut inte ändras. Använd inte adapterkontakter tillsammans med skyddsjordade elverktyg.** Originalkontakter och lämpliga vägguttag minskar risken för elstöt.
- ▶ **Undvik kroppskontakt med jordade ytor som rör, värmeelement, spisar och kylskåp.** Det finns en större risk för elstöt om din kropp är jordad.
- ▶ **Skydda elverktyget från regn och väta.** Tränger vatten in i ett elverktyg ökar risken för elstöt.
- ▶ **Använd inte anslutningskabeln på ett felaktigt sätt, t.ex. genom att bära eller hänga upp elverktyget i den eller dra i den för att lossa elkontakten ur vägguttaget. Håll anslutningskabeln på avstånd från värmekällor, olja, vassa kanter och rörliga delar.** Skadade eller tilltrasslade anslutningskablar ökar risken för elstöt.



- ▶ **När du arbetar med ett elverktyg utomhus, använd endast förlängningskablar som är avsedda för utomhusbruk.** Genom att använda en lämplig förlängningskabel för utomhusbruk minskar du risken för elstötar.
- ▶ **Om det är alldeles nödvändigt att använda verktyget i fuktig miljö ska du använda en jordfelsbrytare.** Användning av jordfelsbrytare minskar risken för elstötar.

Personsäkerhet

- ▶ **Var uppmärksam, ha uppsikt över vad du gör och använd elverktyget med förnuft. Använd aldrig elverktyg om du är trött eller påverkad av droger, alkohol eller medicin.** En kort sekund av bristande uppmärksamhet när du arbetar med ett elverktyg kan leda till att du skadar dig själv eller någon annan svårt.
- ▶ **Bär alltid personlig skyddsutrustning och skyddsglasögon.** Genom att använda personlig skyddsutrustning som t.ex. dammskyddsmask, halkfria säkerhetsskor, hjälm eller hörselskydd, beroende på vilket elverktyg du använder och till vad, minskar du risken för kroppsskada.
- ▶ **Undvik oavsiktlig igångsättning. Se till att elverktyget är frånkopplat innan du ansluter det till nätströmmen och/eller batteriet, tar upp det eller bär det.** Om du bär elverktyget med fingret på strömbrytaren eller ansluter ett tillkopplat verktyg till nätströmmen kan en olycka inträffa.
- ▶ **Ta bort alla inställningsverktyg och skruvnycklar innan du kopplar in elverktyget.** Ett verktyg eller en nyckel i en roterande komponent kan leda till skador.
- ▶ **Undvik en onormal kroppshållning. Se till att du står stadigt och håller balansen.** Då kan du lättare kontrollera elverktyget i oväntade situationer.
- ▶ **Bär lämpliga kläder. Bär inte löst hängande kläder eller smycken. Håll håret, kläderna och handskarna på avstånd från rörliga delar.** Löst hängande kläder, smycken och långt hår kan dras in av roterande delar.
- ▶ **När du använder elverktyg med anordningar för uppsugning och uppsamling av damm, bör du kontrollera att dessa anordningar är rätt monterade och används korrekt.** Används en dammsugare kan faror som orsakas av damm minskas.
- ▶ **Invagga dig inte i falsk säkerhet och strunta inte säkerhetsreglerna för elverktyg även om du har stor vana vid att arbeta med elverktyget.** Oförsiktig hantering kan leda till allvarliga skador inom bråkdelar av en sekund.

Användning och hantering av elverktyg

- ▶ **Överbelasta inte verktyget. Använd elverktyg som är avsedda för det aktuella arbetet.** Med ett lämpligt elverktyg kan du arbeta bättre och säkrare inom angivet effektområde.
- ▶ **Använd aldrig elverktyget om strömbrytaren är defekt.** Ett elverktyg som inte kan kopplas in eller ur är farligt och måste repareras.
- ▶ **Dra ut elkontakten ur uttaget och/eller ta i förekommande fall bort det löstagbara batteriet innan du gör inställningar, byter tillbehör eller lägger ifrån dig verktyget.** Denna skyddsåtgärd förhindrar att du eller någon annan råkar sätta igång elverktyget av misstag.
- ▶ **Förvara elverktyg oåtkomligt för barn. Verktyget får inte användas av personer som inte är vana eller inte har läst dessa anvisningar.** Elverktyg är farliga om de används av oerfarna personer.
- ▶ **Underhåll elverktygen och tillbehören noggrant. Kontrollera att rörliga komponenter fungerar felfritt och inte kärvar och att komponenter inte har brustit eller skadats så att elverktygets funktion påverkas negativt. Se till att skadade delar repareras innan verktyget används igen.** Många olyckor orsakas av dåligt skötta elverktyg.
- ▶ **Håll insatsverktygen skarpa och rena.** Omsorgsfullt skötta insatsverktyg med skarpa egg kommer inte så lätt i kläm och går lättare att styra.
- ▶ **Använd elverktyg, tillbehör, insatsverktyg osv. enligt dessa anvisningar. Ta hänsyn till arbetsvillkoren och arbetsmomenten.** Används elverktyget på icke ändamålsenligt sätt kan farliga situationer uppstå.
- ▶ **Se till att handtaget och greppytorna är torra, rena och fria från olja och fett.** Med hala handtag och gripnyttor går det inte att hantera och kontrollera elverktyget säkert i oväntade situationer.

Service

- ▶ **Låt endast kvalificerad fackpersonal reparera elverktyget och använd då endast originalreservdelar.** Detta garanterar att elverktygets säkerhet upprätthålls.

2.2 Säkerhetsföreskrifter för alla sågar

Sågningsförfarande

- ▶ **⚠ FARA: Håll händerna borta från sågklingan och området omkring den. Håll ena handen på det extra handtaget eller på motorkåpan.** Om du håller sågen med båda händerna kan de inte skadas av sågklingan.



- ▶ **Håll inte händerna under arbetsstycket.** Skyddskåpan kan inte skydda dina händer under arbetsstycket.
- ▶ **Anpassa snittdjupet till arbetsstyckets tjocklek.** Mindre än en hel tandlängd av sågklingans tänder får synas under arbetsstycket.
- ▶ **Håll aldrig fast arbetsstycket som ska sågas med handen eller stödd på ena benet. Fäst arbetsstycket vid ett stabilt underlag.** Det är viktigt att fästa arbetsstycket ordentligt för att undvika kontakt med kroppen, att sågklingan fastnar eller att man tappar kontrollen över verktyget.
- ▶ **Håll endast i elverkytets isolerade greppytor vid arbeten där du riskerar att träffa dolda strömkablar eller den egna nätkabeln.** Vid kontakt med en spänningsförande ledning överförs spänningen även till metalldelarna på elverkyftet och kan ge dig en stöt.
- ▶ **Använd alltid ett anslag eller en rak kantföring vid sågning på längden.** Detta leder till en bättre sågprecision och minskar risken för att sågklingan kör fast.
- ▶ **Använd alltid en sågklinga av rätt storlek och med lämpligt axelhål (t.ex. stjärnformat eller runt).** Sågklingor som inte passar sågens monteringsdelar går ojämnt och gör att du får sämre kontroll.
- ▶ **Använd aldrig skadade eller felaktiga distansbrickor eller mellanskrivar för sågklingan.** Distansbrickorna och mellanskrivarna är specialkonstruerats för din såg för optimal effekt och driftsäkerhet.

Kast – orsaker och motsvarande säkerhetsföreskrifter

- Ett kast är en plötslig reaktion till följd av att en sågklinga hakar i, kläms fast eller riktas fel, så att sågklingan okontrollerat kastas upp ur arbetsstycket i riktning mot användaren;
- Om sågklingan fastnar i sågspåret blockeras den och motorkraften pressar verktyget mot användaren.
- Om sågklingan vrids eller tänderna är felaktigt riktade, kan tänderna i sågklingans bakre kant haka sig fast i arbetsstycket så att sågklingan stöts bort från sågspåret och mot användaren.

Ett kast eller bakslag är ett resultat av att sågen används på ett felaktigt sätt. Det kan förhindras med hjälp av lämpliga försiktighetsåtgärder som beskrivs nedan.

- ▶ **Håll fast sågen med båda händerna och håll armarna i en position som hjälper dig att stå emot bakslagskrafterna. Håll sågklingan sidledes och se till att aldrig hålla den i linje med kroppen.** Vid ett bakslag kan cirkelsågen hoppa bakåt, men om du har vidtagit rätt försiktighetsåtgärder kan du hålla emot bakslagskrafterna.
- ▶ **Om sågklingan fastnar eller om du avbryter arbetet ska du stänga av sågen och hålla den stilla i arbetsmaterialet tills sågklingan har stannat helt. Försök aldrig att dra ut sågen ur arbetsstycket eller att dra den bakåt så länge klingen roterar och kan göra ett kast.** Ta reda på orsaken till att sågklingan fastnat och åtgärda den.
- ▶ **När du ska starta om en såg som är instucken i ett arbetsstycke centrerar du sågklingan i sågspåret och kontrollerar att tänderna inte har fastnat i arbetsstycket.** Om sågklingan har fastnat och du ska starta sågen igen kan sågklingan göra en snabb rörelse bort från arbetsstycket eller göra ett bakslag.
- ▶ **Stötta stora plattor för att minska risken för ett bakslag orsakat av en fastklämd sågklinga.** Stora plattor kan böjas av kroppsvikten. Plattorna måste ha stöd på båda sidor, både nära sågspåret och vid kanten.
- ▶ **Använd inte slöa eller skadade sågklingor.** Sågklingor som har slöa eller felriktade tänder ger ökad friktion, klämmer åt sågklingan och kan medföra ett bakslag.
- ▶ **Dra åt snittdjups- och sågvinkelinställningen innan du börjar såga.** Om du ändrar sågens inställningar under sågarbetet kan sågklingan klämmas fast och ett kast uppstå.
- ▶ **Var extra försiktig vid sågning i befintliga väggar eller andra områden som du inte har full uppsikt över.** Sågklingan kan fastna i dolda föremål och ett kast kan uppstå.

Den undre skyddskåpan funktion

- ▶ **Kontrollera att skyddskåpan är ordentligt stängd innan du använder cirkelsågen. Använd inte sågen om den undre skyddskåpan inte rör sig fritt och inte går att stänga på en gång. Kläm eller bind aldrig fast den undre skyddskåpan i öppen position.** Om du skulle tappa sågen på golvet, kan den undre skyddskåpan böjas. Öppna skyddskåpan med låsspaken och kontrollera att den rör sig fritt och inte kommer i kontakt med andra delar vid alla snittdjup och sågvinklar.
- ▶ **Kontrollera att den undre skyddskåpan fjäder fungerar. Använd inte verktyget om inte den undre skyddskåpan och fjädern fungerar felfritt.** Skadade delar, klibbiga avlagringar eller för stor ansamling av spån kan göra den undre skyddskåpan trög.
- ▶ **Öppna endast skyddskåpan för hand vid särskilda sågarbeten, t.ex. vid insticks- och vinkelsågning. Öppna den undre skyddskåpan med låsspaken och släpp den så fort sågklingan har trängt in i arbetsstycket.** Vid alla andra sågarbeten bör skyddskåpan användas med automatik.
- ▶ **Lägg inte sågen på arbetsbänken eller på golvet utan att först se till att den undre skyddskåpan täcker sågklingan.** En oskyddad sågklinga som fortfarande roterar förflyttar sågen i motsatt riktning mot sågriktningen och sågar i allt som kommer i dess väg. Observera att sågklingan fortsätter att rotera en viss tid efter det att sågen stängts av.

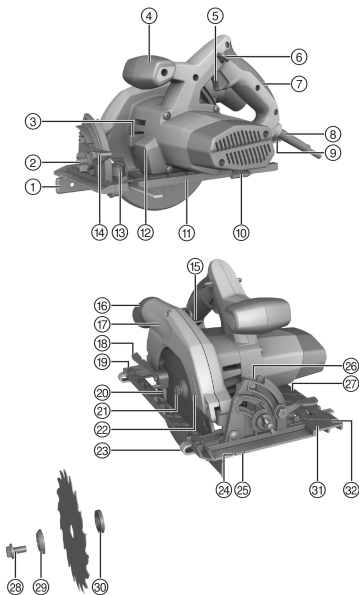


2.3 Ytterligare säkerhetsföreskrifter för cirkelsågar

- ▶ Handcirkelsågen ska alltid vara påslagen när den förs mot arbetsstycket.
 - ↳ Såglinjen måste vara fri från hinder på ovan- och undersidan. Såga inte i skruvar, spikar eller liknande.
- ▶ Arbeta aldrig med en cirkelsåg ovanför huvudet.
- ▶ Bromsa aldrig sågklingan genom att trycka mot den i sidled.
- ▶ Undvik överhettning av sågtändernas spetsar.
- ▶ Vid sågning i plast, se till att materialet inte smälter.
- ▶ Använd alltid en sågklinga som är avsedd för materialet som ska sågas.
- ▶ Använd uteslutande de sågklingor som Hilti rekommenderar och som uppfyller standarden EN 847-1.

3 Beskrivning

3.1 Produktöversikt 1



- ① Parallellanslag, enarmat
- ② Förinställning för sågvinkel
- ③ Spindellåsknapp
- ④ Extra handtag
- ⑤ Strömbrytare
- ⑥ Tillkopplingsspärr
- ⑦ Handtag
- ⑧ Kabel
- ⑨ Klämspak för snittdjupsinställning
- ⑩ Insexnyckel
- ⑪ Bottenplatta, liten
- ⑫ LED-belysning
- ⑬ Klämspak för parallellanslag framtill
- ⑭ Klämspak för sågvinkelinställning
- ⑮ Snittdjupsskala
- ⑯ Anslutningshållare (dammsugare)
- ⑰ Skyddskåpa
- ⑱ Manöverspak för pendelskyddskåpa
- ⑲ Klämspak för parallellanslag baktill (endast för stor bottenplatta)
- ⑳ Pendelskyddskåpa
- ㉑ Drivspindel
- ㉒ Rotationsriktningspil
- ㉓ Parallellanslag, tvåarmat
- ㉔ Snittmarkering 0°
- ㉕ Snittmarkering 45°
- ㉖ Sågvinkelskala
- ㉗ Bottenplatta, stor
- ㉘ Spännskruv
- ㉙ Spännfläns
- ㉚ Stödbricka
- ㉛ Spårmarkering 0° bottenplatta
- ㉜ Spårmarkering 1°–50° bottenplatta

3.2 Översikt över styrskeneadapter 2

- ③③ Fäststag baktill
- ③④ Fäststag framtill
- ③⑤ Spårmarkering 0°
- ③⑥ Spårmarkering 1°–50°



3.3 Avsedd användning

Den beskrivna produkten är en cirkelsåg. Den är avsedd för sågarbeten i trä eller träliknande material, plast, gipsplattor, gipsfiberplattor och kompositmaterial, upp till ett skärdjup på 55 mm, samt geringssnitt på upp till 50°.

3.3.1 Möjlig felanvändning

Det är inte tillåtet att använda sågklingor som inte motsvarar uppgifterna i den tekniska dokumentationen eller kapskivor, slipskivor liksom sågklingor av höglegerat snabbstål (HSS-stål). Det går inte att såga i metall.

3.4 Leveransinnehåll

Cirkelsåg, sågklinga, insexnyckel, parallellanslag, bruksanvisning.



Använd endast originalreservdelar och förbrukningsmaterial för säker drift. Godkända reservdelar, förbrukningsmaterial och tillbehör till din produkt från oss hittar du i närmaste **Hilti Store** eller på: www.hilti.group

4 Teknisk information

4.1 Teknisk information



Märkspänning, märkström, frekvens och märkeffekt finns angivet på den landsspecifika typskylten på ditt verktyg.

Om verktyget drivs via en generator eller transformator måste denna ha en uteffekt som är minst dubbelt så hög som den märkeffekt som finns angiven på typskylten. Transformatorns eller generatorns driftspänning måste alltid ligga inom +5 % och -15 % av apparatens märkspänning.

Vikt, liten bottenplatta	4,5 kg
Vikt, stor bottenplatta	4,7 kg
Sågklingans diameter	160 mm ... 165 mm
Sågklingans blad tjocklek	1,1 mm ... 1,5 mm
Sågklingans axelhål	20 mm
Skärdjup vid 0°	0 mm ... 55 mm
Skärdjup vid 45°	0 mm ... 41 mm
Sågdjup vid 50°	0 mm ... 37 mm
Tomgångsvarvtal	5 500 varv/min

4.2 Bullerinformation och vibrationsvärden enligt EN 62841

De ljudtrycks- och vibrationsvärden som anges i anvisningarna har uppmätts med en standardiserad mätmetod och kan användas för att jämföra olika elverktyg med varandra. De kan också användas för att göra en preliminär uppskattning av exponeringarna.

De angivna värdena representerar elverktygets huvudsakliga användning. När elverktyget begagnas inom andra områden, med andra insatsverktyg eller med otillräckligt underhåll, kan mätning ge avvikande värden. Det innebär att exponeringen under den totala arbetstiden kan ökas betydligt.

För att uppskattningen av exponeringarna ska bli exakt bör man också räkna in de tider då verktyget är avstängt eller då det är påslaget men inte används. Det kan betydligt minska exponeringen under den totala arbetstiden.

Vidta även andra säkerhetsåtgärder för att skydda användaren mot effekterna av buller och vibrationer, exempelvis: underhåll av elverktyg och insatsverktyg, möjlighet att hålla händerna varma, välorganiserade arbetsförlöpp.

Bullerinformation

Ljudeffektnivå (L_{WA})	101 dB(A)
Ljudtrycksnivå (L_{pA})	90 dB(A)
Osäkerhet	3 dB(A)



Vibrationsinformation

	230 V	110 V
Vibrationsvärde i tre riktningar vid sågning i trä (a_n)	1,77 m/s ² (5,81 ft/s ²)	2,12 m/s ² (6,96 ft/s ²)
Osäkerhet (K)	1,5 m/s ²	1,5 m/s ²

5 Användning

5.1 Demontera sågklinga

VARNING

Risk för brännskador Fara på grund av höga temperaturer i verktyg, spännfläns och spänskruv samt vassa kanter på sågklingan.

- ▶ Du bör använda skyddshandskar när du byter tillbehör.

1. Dra ut elkontakten ur uttaget.
2. Sätt in insexnyckeln i sågklingans fästskruv.
3. Tryck in spindellåsknappen och håll den intryckt.
4. Vrid sågklingans spänskruv med insexnyckeln tills spindellåsknappen snäpper fast fullständigt.
5. Lossa spänskruven med insexnyckeln genom att vrida åt det håll rotationsriktningspilen pekar.
6. Ta bort spänskruven och den yttre spännflänsen.
7. Öppna pendelskyddskåpan genom att svänga den åt sidan och ta bort sågklingan.



Stödbrickan kan vid behov avlägsnas för rengöring.

5.2 Montera sågklinga

FÖRSIKTIGHET

Risk för skador Sågklingor som inte passar eller som är fel insatta kan skada sågen.

- ▶ Använd bara sågklingor som är lämpliga för den aktuella sågen. Observera pilen som visar sågklingans rotationsriktning.
- ▶ Använd endast sågklingor vars tillåtna varvtal är minst så högt som det maximala varvtalet som anges på produkten.

1. Dra ut elkontakten ur uttaget.
2. Rengör stödbrickan och spännflänsen.
3. Trä på stödbrickan vänd åt rätt håll.
4. Öppna pendelskyddskåpan.
5. Fäst den nya sågklingan.
6. Trä på den yttre spännflänsen vänd åt rätt håll.
7. Sätt in spänskruven.
8. Sätt in insexnyckeln i sågklingans spänskruv.
9. Fäst spännflänsen genom att vrida spänskruven medurs. Håll samtidigt spindellåsknappen nedtryckt med en hand.
10. Kontrollera att sågklingan sitter ordentligt fast och i rätt läge innan verktyget startas.

5.3 Ställa in snittdjup

1. Dra ut elkontakten ur uttaget.
2. Lossa snittdjupsinställningens klämspak.
3. Lyft upp cirkelsågen i en vinklad rörelse och ställ in skärdjupet.
 - ↳ Skärdjupet visas på skärdjupsskalan.



För att en ren skärkant ska erhållas bör skärdjupet motsvara materialtjockleken plus 2 mm.

4. Fixera klämspaken för inställning av skärdjup.



5.4 Ställa in sågvinkel

1. Dra ut elkontakten ur uttaget.
2. Lossa klämspaken för sågvinkelinställning.
3. Vrid bottenplattan till önskad sågvinkel.
 - ↳ Sågvinkeln visas på sågvinkelskalan.
4. Dra åt klämspaken för sågvinkelinställningen.

5.5 Ritsindikator

På cirkelsågens främre bottenplatta sitter en ritsindikator för rak sågning och geringssågning (0° och 45°). Den möjliggör exakt sågning med vald sågvinkel. Kanten på ritsen motsvarar sågklingans insida. En snittvisare finns vid den främre urskärningen för sågklingan.

5.5.1 Såga med rits



- Fäst arbetsstycket ordentligt så det inte rubbas ur sitt läge.
Placera arbetsstycket så att sågklingan löper fritt under arbetsstycket.
Försäkra dig om att produktens på/av-knapp står i frånläge.
Sätt cirkelsågen med bottenplattan på arbetsstycket på så sätt att sågklingan inte kommer i kontakt med arbetsstycket.

1. Slå på cirkelsågen.
2. För cirkelsågen i lämplig arbetstakt längs med ritsen genom arbetsstycket.

5.6 Sågning med parallellanslag

Med hjälp av det enarmade parallellanslaget är det möjligt att göra exakta snitt längs med kanten på ett arbetsstycke resp. såga lister efter exakta mått. Parallellanslaget kan monteras på bottenplattans båda sidor. Det tvåarmade parallellanslaget får endast användas med den stora bottenplattan. Var noga med att du sätter parallellslaget rätt när du monterar det.

5.7 Sågning med styrskena.

Genom att använda en styrskena vid sågningen minskar man risken för bakslag.

5.7.1 Sätta in cirkelsågen i styrskeneadaptern och ta ur den igen



- För sågar med liten bottenplatta bör du använda en styrskeneadapter som passar till styrskenan.

1. Ta bort parallellanslaget om ett sådant monterats.
2. För in bottenplattan i de bakre fäststagen på styrskeneadaptern.
3. Sätt in bottenplattan helt och hållet framtill i styrskeneadaptern. Bottenplattan måste haka i det främre fäststaget ordentligt.
4. För att ta ur sågklingan, dra det främre fäststaget lätt framåt och ta ut cirkelsågen ur styrskeneadaptern.

5.7.2 Längssågning vid 0°

- ▶ Placera cirkelsågen med spårmarkeringen "0°" på styrskenans kanal.

5.7.3 Längssågning med vinkel upp till 50°



FÖRSIKTIGHET

Risk för skador Om sågen sätts in i fel spår kommer sågklingan och styrskenan att krocka.

- ▶ Sätt in sågen i rätt spår.
- ▶ Placera sågen med spårmarkeringen märkt "1°–50°" på styrskenans kanal.

5.7.4 Sågning med styrskena

1. Fäst styrskenan underifrån med två skruvtingar.



2. Montera cirkelsågen i utgångsläge på styrskenan. För längssågning vid sågvinkel på 20°–50° öppnas skyddskåpan manuellt.



Cirkelsågen måste fästas på styrskenan bakom arbetsstycket.
Se till att sågklingan inte har någon kontakt med arbetsstycket.

3. Slå på cirkelsågen.
4. Skjut cirkelsågen med en jämn rörelse över arbetsstycket.
 - ↳ Om sågvinkeln är mindre än 20° öppnar sig klingskyddet när det kommer i kontakt med utlösningskanten vid sidan av styrskenan.
 - ↳ Skyddet stängs igen när sågen når slutet av styrskenan.

5.8 Såga med och utan spånsugning

Cirkelsågen är utrustad med ett anslutningsrör för sugslangar som har en diameter på 27 mm. En lämplig adapter kan behövas för att ansluta dammsugarslangen till cirkelsågen.

Använd alltid så långt det är möjligt en lämplig bärbar stoftavskiljare för trä eller trä och mineraler.

Vid arbete utan spånsugning vrid du på spånutkastet så att du inte får spånen på dig.



Använd alltid ett andningskydd med filterklass P2 och ventiler alltid ordentligt så att dammhalten hålls på en låg nivå.

6 Skötsel och underhåll

6.1 Skötsel och underhåll



VARNING

Risk för elstötar! Vid skötsel och underhåll finns risk för svåra person- och brännskador om elkontakten inte dras ur.

- ▶ Se alltid till att dra ur elkontakten innan skötsel och underhåll utförs!

Skötsel

- Ta försiktigt bort smuts som fastnat på verktyget.
- Rengör ventilationsspringorna försiktigt med en torr borste.
- Rengör höljet med en lätt fuktad trasa. Använd inte rengöringsmedel med silikon, eftersom det kan skada plastdelarna.

Underhåll



VARNING

Risk för elstöt! Felaktigt utförda reparationer på elektriska delar kan leda till svåra skador och brännskador.

- ▶ Reparationer på de elektriska delarna får endast utföras av behörig fackman.
- Kontrollera regelbundet att inga synliga delar har skadats och att alla reglage fungerar som de ska.
- Använd inte produkten om den uppvisar skador eller funktionsstörningar. Skicka den direkt till **Hilti Service** för reparation.
- Efter att skötsel- och underhållsarbete utförts ska alla skyddsanordningar alltid monteras och kontrolleras.



Använd endast originalreservdelar och förbrukningsmaterial för säker drift. Godkända reservdelar, förbrukningsmaterial och tillbehör till din produkt från oss hittar du i närmaste **Hilti Store** eller på: www.hilti.group.

6.2 Kontroll efter service- och underhållsarbeten



Efter service- och underhållsarbeten ska du kontrollera att alla skyddsanordningar har satts på och fungerar väl.

- ▶ Kontrollera pendelskyddskåpan genom att öppna den helt med hjälp av manöverspaken.
 - ↳ När du släpper manöverspaken ska pendelskyddskåpan stängas snabbt och fullständig.



6.3 Rengöring av spånkanaler

Eventuellt måste sågklingen demonteras vid rengöringen.

1. Dra ut elkontakten ur uttaget.
2. Demontera sågklingen. → Sidan 29
3. Rengör spånkanalen.
4. Montera sågklingen. → Sidan 29
5. Kontrollera att rörliga komponenter fungerar felfritt och inte kärvar, att komponenter inte har brustit eller skadats – orsaker som kan leda till att verktygets funktioner påverkas menligt.

6.4 Rengöring av skyddsanordning

1. Demontera sågklingen. → Sidan 29
2. Rengör skydden försiktigt med en torr borste.
3. Ta bort avlagringar och sågspån inuti skyddsanordningarna med något lämpligt verktyg.
4. Montera sågklingen. → Sidan 29

7 Felsökning

Fel	Möjlig orsak	Lösning
Verktyget har inte full effekt.	Förlängningskabeln är för lång och/eller har för liten area.	► Använd en förlängningskabel med tillåten längd och med tillräcklig area.
	Strömkällan har för låg spänning.	► Anslut verktyget till en annan strömkälla.
Verktyget fungerar inte.	Strömförsörjningen avbröts.	► Koppla in ett annat elverktyg och se om det fungerar.
	Kabeln eller stickkontakten är defekt.	► Låt en behörig elektriker kontrollera nätkabeln eller kontakten och låt Hilti Service ersätta den vid behov.
	Strömbrytaren är defekt.	► Låt Hilti Service reparera produkten.
	Kolborstarna är slitna.	► Låt Hilti Service reparera produkten.
Ingen eller nedsatt sugeffekt	Spånkanalen igensatt.	► Rengör spånkanalen. → Sidan 32
Pendelskyddskåpan stängs inte.	Skyddsanordning igensatt.	► Rengör skyddsanordningen. → Sidan 32
Verktyget vibrerar starkare än normalt.	Sågklingen är felaktigt monterad.	► Demontera sågklingen och montera den igen.

8 Avfallshantering

Hilti-verktyg är till stor del tillverkade av återvinningsbara material. En förutsättning för återvinning är att materialen separeras på rätt sätt. I många länder kan du lämna in ditt uttjänta verktyg så att **Hilti** tar hand om det. Hör efter med **Hiltis** kundtjänst eller din kontaktperson.



- Kasta inte elverktyg, elektronisk apparatur och batterier i hushållssoporna.

9 RoHS (föreskrifter för begränsning av användningen av farliga ämnen)

Använd den här länken för att komma till tabellen över farliga ämnen: qr.hilti.com/r2937786.

En länk till RoHS-tabellen hittar du i slutet på det här dokumentet i form av en QR-kod.



10 Tillverkargaranti

- ▶ Vänd dig till din lokala **Hilti**-representant om du har frågor om garantivillkoren.



1 Informasjon om dokumentasjonen

1.1 Om denne dokumentasjonen

- Les denne dokumentasjonen før du tar produktet i bruk. Dette er en forutsetning for sikkerhet under arbeidet og problemfri bruk.
- Følg sikkerhetshenvisningene og advarslene i denne dokumentasjonen og på produktet.
- Oppbevar alltid bruksanvisningen på produktet, og lever bruksanvisningen fra deg sammen med produktet hvis det overtas av andre personer.

1.2 Symbolforklaring

1.2.1 Farehenvisninger

Farehenvisninger advarer mot farer under håndtering av produktet. Følgende signalord brukes:



FARE !

- ▶ For en umiddelbart truende fare som kan føre til alvorlige personskader eller død.



ADVARSEL !

- ▶ Varsler en mulig fare som kan føre til alvorlige personskader eller død.



FORSIKTIG !

- ▶ Varsler om en mulig farlig situasjon som kan føre til lettere personskade eller skade på utstyr og annen eiendom.

1.2.2 Symboler i dokumentasjonen

Følgende symboler brukes i denne dokumentasjonen:



Les bruksanvisningen før bruk



Anvisninger om bruk og annen nyttig informasjon



Håndtering av resirkulerbare materialer



Ikke kast elektriske apparater eller batterier i husholdningsavfallet

1.2.3 Symboler i illustrasjoner

Følgende symboler brukes i illustrasjonene:

	Disse tallene henviser til illustrasjonen foran i denne bruksanvisningen
3	Nummereringen angir rekkefølgen for arbeidstrinnene på bildet og kan avvike fra arbeidstrinnene i teksten
	Posisjonsnumrene brukes i illustrasjonen Oversikt og henviser til numrene på teksten i avsnittet Produktoversikt
	Dette symbolet betyr at håndtering av produktet krever stor grad av oppmerksomhet.

1.3 Produktavhengige symboler

1.3.1 Symboler på produktet

Følgende symboler kan brukes på produktet:



	Trådløs dataoverføring
n_0	Nominelt tomgangsturtall
	Beskyttelsesklasse II (dobbelisolert)
	Sagblad

1.4 Produktinformasjon

HILTI-produkter er laget for profesjonell bruk og må kun brukes, vedlikeholdes og repareres av kyndig personale. Dette personalet må informeres om eventuelle farer som kan oppstå. Produktet og tilleggsutstyret kan utgjøre en fare hvis det betjenes av ukvalifisert personale eller det benyttes feil.

Typebetegnelse og serienummer står på typeskiltet.

- ▶ Skriv inn serienummeret i tabellen nedenfor. Du trenger produktspesifikasjonene ved henvendelser til Hiltis representant eller servicesenter.

Produktspesifikasjoner

Sirkelsag	SC 55W
Generasjon	01
Serienummer	

1.5 Samsvarserklæring

Vi erklærer herved at produktet som er beskrevet her, overholder gjeldende normer og direktiver. Du finner et bilde av samsvarserklæringen på slutten av denne dokumentasjonen.

Den tekniske dokumentasjonen er lagret her:

Hilti Entwicklungsgesellschaft mbH | Zulassung Geräte | Hiltistraße 6 | 86916 Kaufering, DE

2 Sikkerhet

2.1 Generelle sikkerhetsregler for elektroverktøy

⚠ ADVARSEL Les alle sikkerhetsanvisninger, instruksjoner, illustrasjoner og tekniske data som elektroverktøyet er utstyrt med. Manglende overholdelse av anvisningene nedenfor kan medføre elektrisk støt, brann og/eller alvorlige personskader.

Overhold alle sikkerhetsanvisninger og instruksjoner i hele bruksperioden.

Begrepet "elektroverktøy" som er brukt i sikkerhetsanvisningene, viser til nettdrevne elektroverktøy (med nettkabel) eller til batteridrevne elektroverktøy (uten nettkabel).

Sikkerhet på arbeidsplassen

- ▶ **Hold arbeidsområdet rent og godt opplyst.** Rotete eller dårlig belyste arbeidsområder kan føre til ulykker.
- ▶ **Bruk ikke elektroverktøyet i eksplosjonsfarlige omgivelser hvor det befinner seg brennbare flytende stoffer, gasser eller støv.** Elektroverktøy lager gnister som kan antenne støv eller damp.
- ▶ **Hold barn og andre personer på sikker avstand mens elektroverktøyet brukes.** Hvis du blir forstyrret under arbeidet, kan du miste kontrollen over verktøyet.

Elektrisk sikkerhet

- ▶ **Elektroverktøyets støpsel må passe i stikkontakten. Støpselet må ikke forandres på noen som helst måte. Bruk ikke adapterkontakt på jordete elektroverktøy.** Uendrede støpsler og egnede stikkontakter minsker risikoen for elektrisk støt.
- ▶ **Unngå kroppskontakt med jordete overflater som rør, radiatorer, komfyrer eller kjøleskap.** Risikoen for elektriske støt er høyere når kroppen er jordet.
- ▶ **Hold elektroverktøyet unna regn og fuktighet.** Risikoen for elektrisk støt øker ved inntrenging av vann i et elektroverktøy.
- ▶ **Bruk ikke ledningen til å bære elektroverktøyet, henge det opp eller til å dra støpselet ut av stikkontakten. Hold ledningen unna varme, olje, skarpe kanter og deler som beveger seg.** Skadde eller sammenviklede ledninger øker risikoen for elektriske støt.



- ▶ **Bruk kun skjøteledninger som også er godkjent for utendørs bruk når du arbeider med et elektroverktøy utendørs.** Bruk av skjøteledning som er egnet til utendørs bruk, minsker risikoen for elektrisk støt.
- ▶ **Må elektroverktøyet brukes i fuktige omgivelser, er det nødvendig å bruke en jordfeilbryter.** Bruk av en jordfeilbryter reduserer risikoen for elektrisk støt.

Personsikkerhet

- ▶ **Vær oppmerksom, pass på hva du gjør, og gå fornuftig fram under arbeidet med et elektroverktøy. Ikke bruk elektroverktøy når du er trøtt eller påvirket narkotika, alkohol eller medikamenter.** Et øyeblikks uoppmerksomhet ved bruk av elektroverktøyet kan være nok til å forårsake alvorlige personskader.
- ▶ **Bruk alltid personlig verneutstyr og vernebriller.** Bruk av personlig verneutstyr som støvmaske, sklislisre vernesko, hjelm eller hørselsvern – avhengig av type og bruk av elektroverktøyet – reduserer risikoen for skader.
- ▶ **Unngå utilsiktet start. Forsikre deg om at elektroverktøyet er slått av før du setter i stikkkontakten eller batteriet og før du løfter eller flytter elektroverktøyet.** Hvis du holder fingeren på bryteren når du bærer elektroverktøyet, eller kobler elektroverktøyet til strøm i innkoblet tilstand, kan dette føre til uhell.
- ▶ **Fjern justeringsverktøy og skrunøkkel før du slår på elektroverktøyet.** Et verktøy eller en nøkkel som befinner seg i en roterende maskindel, kan føre til skader.
- ▶ **Unngå uhensiktsmessige arbeidsposisjoner. Sørg for å stå stødig og i balanse.** Dermed kan du kontrollere elektroverktøyet bedre i uventede situasjoner.
- ▶ **Bruk egnede klær. Ikke bruk vide klær eller smykker. Hold hår, tøy og hansker unna deler som beveger seg.** Løstsittende tøy, smykker eller langt hår kan komme inn i deler som beveger seg.
- ▶ **Hvis det er montert støvavsugs- og oppsamlingsinnretninger, må det kontrolleres at disse er koblet til og blir brukt på riktig måte.** Bruk av støvavsug kan redusere faremomentene i forbindelse med støv.
- ▶ **Ikke føl deg for trygg og ikke bryt sikkerhetsreglene for elektroverktøy, heller ikke når du etter lang tids bruk er blitt fortrolig med elektroverktøyet.** Et øyeblikks uaktsomhet kan føre til alvorlige personskader.

Bruk og behandling av elektroverktøyet

- ▶ **Ikke overbelast verktøyet. Bruk et elektroverktøy som er beregnet til den type arbeid du vil utføre.** Med et passende elektroverktøy arbeider du bedre og sikrer i det angitte effektområdet.
- ▶ **Ikke bruk elektroverktøy med defekt bryter.** Et elektroverktøy som ikke lenger kan slås av eller på, er farlig og må repareres.
- ▶ **Dra ut støpselet fra stikkkontakten og/eller ta ut et uttakbart batteri før du foretar maskininnstillinger, bytter tilleggsutstyr eller legger bort verktøyet.** Disse tiltakene forhindrer utilsiktet start av elektroverktøyet.
- ▶ **Oppbevar elektroverktøy som ikke brukes, utenfor barns rekkevidde. La ikke personer som ikke er fortrolige med verktøyet eller ikke har lest disse instruksjonene, bruke verktøyet.** Elektroverktøy er farlige når de brukes av uerfarne personer.
- ▶ **Sørg for grundig stell og vedlikehold av elektroverktøyet med tilbehør. Kontroller at bevegelige deler på elektroverktøyet fungerer feilfritt og ikke klemmes fast, og at ingen deler er brukket eller skadet, slik at dette innvirker på elektroverktøyet funksjon. La skadde deler repareres før elektroverktøyet brukes.** Mange ulykker er et resultat av dårlig vedlikeholdte elektroverktøy.
- ▶ **Hold skjæreverktøy skarpe og rene.** Godt vedlikeholdte skjæreverktøy med skarpe skjærekanten blir sjeldnere fastklemt og er lettere å styre.
- ▶ **Bruk elektroverktøy, tilbehør, arbeidsverktøy osv. i overensstemmelse med denne anvisningen. Ta hensyn til arbeidsforholdene og arbeidet som skal utføres.** Bruk av elektroverktøy til andre formål enn det som er angitt, kan føre til farlige situasjoner.
- ▶ **Hold håndtak og gripeflater tørre, rene og frie for olje og fett.** Glatte håndtak og gripeflater gir ikke sikker betjening og kontroll av elektroverktøyet i uforutsette situasjoner.

Service

- ▶ **Elektroverktøyet må kun repareres av kvalifisert fagpersonale og kun med originale reservedeler.** Slik opprettholdes elektroverktøyet sikkerhet.

2.2 Sikkerhetsanvisninger for alle sager

Saging

- ▶ **⚠ FARE: Hold hendene unna sagområdet og sagbladet. Hold den andre hånden på ekstrahåndtaket eller motorhuset.** Hvis du holder sagen med begge hender, kan ikke hendene bli skadd av sagbladet.



- ▶ **Hold ikke under arbeidsstykket.** Under arbeidsstykket gir beskyttelseskappen ingen beskyttelse mot sagbladet.
- ▶ **Tilpass snittdybden til arbeidsstykkets tykkelse.** Under arbeidsstykket skal mindre enn en full tannhøyde være synlig.
- ▶ **Hold aldri arbeidsstykket du sager, fast med hånden eller beina. Sikre arbeidsstykket med et stabilt feste.** Det er viktig å feste arbeidsstykket skikkelig slik at faren for kroppskontakt, sagblad i klem eller at du mister kontrollen, blir minst mulig.
- ▶ **Hold alltid elektroverktøyet i de isolerte gripeflatene når du utfører arbeid der elektroverktøyet kan treffe på skjulte strømledninger eller egen nettkabel.** Kontakt med en spenningsførende ledning setter også maskinens metalldele under spenning og fører til elektrisk støt.
- ▶ **Bruk alltid anslag eller en rett kantfører ved langsgående skjæring.** Dette gir mer nøyaktige snitt og reduserer muligheten for at sagbladet kommer i klem.
- ▶ **Bruk alltid sagblad i riktig størrelse og med passende festehull (f. eks. stjerneformet eller rundt).** Sagblad som ikke passer til sagens monteringsdeler, går ujevnt og fører til at du mister kontrollen.
- ▶ **Sagblad, underlagsskiver og skruer må ikke være skadd eller av feil type.** Underlagsskivene og skruene er konstruert spesielt til din sag for optimal ytelse og driftssikkerhet.

Rekyl - årsaker og relevante sikkerhetsanvisninger

- Rekyl er en plutselig reaksjon fra et sagblad som setter seg fast, klemmes fast eller har feil retning slik at sagen løfter seg ukontrollert fra arbeidsstykket og kan bevege seg mot operatøren.
- Hvis sagbladet setter seg fast eller klemmes fast, blir det blokkert, og motorkraften slår sagen tilbake mot operatøren.
- Dersom sagbladet får en feil vridning eller retning, kan tennene i den bakre delen av sagbladet sette seg fast i overflaten på arbeidsstykket, slik at sagbladet hopper ut av sagsporet og beveger seg bakover mot operatøren.

Rekyl følger av feil bruk av sagen. Den kan hindres gjennom egnede forholdsregler som beskrevet nedenfor.

- ▶ **Hold sagen fast med begge hender, og hold armene i en stilling der du kan fange opp rekylkraften. Hold deg alltid på siden av sagbladet, og plasser aldri sagbladet på linje med kroppen.** Ved rekyl kan sirkelsagen slenges bakover, men operatøren kan takle rekylkraften gjennom egnede forholdsregler.
- ▶ **Hvis sagbladet klemmes fast eller du avbryter arbeidet, må du slå av slagen og holde den i ro i arbeidsmaterialet til sagbladet har stanset helt. Prøv aldri å fjerne sagen fra arbeidsstykket eller trekke den bakover så lenge sagbladet er i bevegelse, ellers er det fare for rekyl.** Undersøk og eliminer årsaken til fastsetting av sagbladet.
- ▶ **Når du skal starte en sag som sitter fast i arbeidsstykket, sentrerer du sagbladet i spalten og kontrollerer at sagtennene ikke har haket seg fast i arbeidsstykket.** Hvis sagbladet er kommet i klem, kan det bevege seg ut av arbeidsstykket eller forårsake rekyl når sagen startes på nytt.
- ▶ **Støtt opp store plater slik at det blir mindre risiko for rekyl på grunn av et sagblad i klem.** Store plater kan brette under sin egen vekt. Platene må støttes opp på begge sider, både i nærheten av sagsnittet og ved endene.
- ▶ **Bruk aldri sløve eller skadde sagblad.** Sagblad med sløve tenner eller tenner som sitter feil, gir for trang sagespalte, og dette fører til økt friksjon, sagblad i klem og rekyl.
- ▶ **Skru fast sagedybde- og saguevnelinnstillingene før du begynner å sage.** Hvis du forandrer innstillingene under saging, kan sagbladet klemmes fast og det kan oppstå rekyl.
- ▶ **Vær ekstra forsiktig ved saging i eksisterende vegger eller i andre usynlige områder.** Sagbladet som stikkes inn, kan blokkeres av skjulte objekter under saging, noe som kan forårsake rekyl.

Funksjonen til den nedre beskyttelseskappen

- ▶ **Sjekk alltid før bruk at den nedre beskyttelseskappen låser seg uten problemer. Bruk aldri sagen når den nedre beskyttelseskappen ikke beveger seg fritt og ikke låser seg straks. Bind eller sett aldri fast den nedre beskyttelseskappen i åpen stilling.** Hvis sagen skulle falle ned ved et uhell, kan den nedre beskyttelseskappen bli bøyd. Åpne beskyttelseskappen med trekkspaken, og kontroller nøye at den beveger seg fritt og ikke berører verken sagblad eller andre deler ved noen snittvinkler eller snittdybder.
- ▶ **Sjekk at fjæren til nedre beskyttelseskappe fungerer som den skal. Ikke bruk sagen når den nedre beskyttelseskappen og fjæren ikke fungerer problemfritt.** Skadde deler, klebrige avleiringer eller opphopninger av spon kan føre til at nedre beskyttelseskappe arbeider seint.
- ▶ **Nedre beskyttelseskappe skal kun åpnes manuelt ved spesielle snitt, som nedsenkingsnitt og vinkelsnitt. Åpne nedre beskyttelseskappe med trekkspaken, og slipp den så snart sagbladet er inne i arbeidsstykket.** Ved alt annet sagearbeid skal den nedre beskyttelseskappen arbeide automatisk.



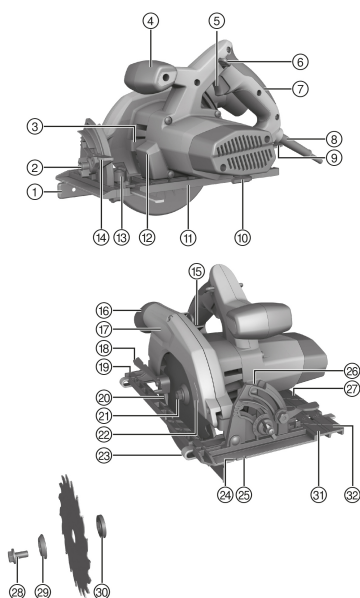
- ▶ **Legg ikke fra deg sagen på arbeidsbenken eller golvet uten at den nedre beskyttelseskappen dekker sagbladet.** Et udekket, etterløpende sagblad beveger sagen mot snittretningen og sager alt som kommer i veien. Vær også oppmerksom på sagens etterløpstid.

2.3 Ekstra sikkerhetsanvisninger for sirkelsager

- ▶ Håndsirkelsagen må bare føres mot arbeidsstykket når den er slått på.
 - ↳ Saglinjen må være fri for hindringer oppe og nede. Ikke sag i skruer, spiker eller lignende.
- ▶ Arbeid aldri med en sirkelsag over hodehøyde.
- ▶ Brems aldri sagen med å trykke mot siden på den.
- ▶ Unngå overoppheting av sagtannspissene.
- ▶ Ved saging i plast bør man unngå å smelte platen.
- ▶ Bruk alltid sagbladet som hører til underlaget som skal sages.
- ▶ Bruk bare sagblad som er anbefalt av Hilti, som oppfyller normen EN 847-1.

3 Beskrivelse

3.1 Produktoversikt 1



- ① Enarmet parallellanlegg
- ② Forhåndsinnstilling av snittvinkel
- ③ Spindellåsknapp
- ④ Støttehåndtak
- ⑤ Av/på-bryter
- ⑥ Innkoblingssperre
- ⑦ Håndtak
- ⑧ Ledning
- ⑨ Klemarm for innstilling av kuttedybde
- ⑩ Unbrakonøkkel
- ⑪ Grunnplate liten
- ⑫ LED-belysning
- ⑬ Klemarm til parallellanlegg foran
- ⑭ Klemarm for innstilling av snittvinkel
- ⑮ Skala for kuttedybde
- ⑯ Tilkoblingsstuss (støvsuger)
- ⑰ Beskyttelsesdeksel
- ⑱ Betjeningsarm for pendelverndeksel
- ⑲ Klemarm til parallellanlegg bak (bare for stor grunnplate)
- ⑳ Pendelverndeksel
- ㉑ Drivspindel
- ㉒ Rotasjonsretningspæl
- ㉓ Parallellanlegg, toarmet
- ㉔ Markering av kutt 0°
- ㉕ Markering av kutt 45°
- ㉖ Skala for snittvinkel
- ㉗ Grunnplate stor
- ㉘ Spennskrue
- ㉙ Spennflens
- ㉚ Festeflens
- ㉛ Spormarkering 0° grunnplate
- ㉜ Spormarkering 1 - 50° grunnplate

3.2 Oversikt ledeskinneadapter 2

- ③③ Holdespor bak
- ③④ Holdespor foran



3.3 Forskriftsmessig bruk

Det beskrevne produktet er en sirkelsag. Den er egnet for saging i tre og trelignende materialer, plaststoffer, gipsplater, gipsfiberplater og kompositter med kuttedybde på 55 mm og gjæringskutt inntil 50°.

3.3.1 Mulig feilbruk

Det må ikke brukes sagblad som ikke er i samsvar med de tekniske spesifikasjonene, heller ikke kappeskiver, slipeskiver eller sagblad av høylegert hurtigstål (HSS-stål). Sagen skal ikke brukes til saging av metall.

3.4 Dette følger med

sirkelsag, sagblad, unbrakonøkkel, parallellanlegg, bruksanvisning.



Av hensyn til sikkerheten må du bare bruke originale reservedeler og forbruksmateriell. Reservedeler, forbruksmaterialer og tilbehør til produktet, som er godkjent av oss, finner du hos **Hilti Store** eller under: www.hilti.group

4 Tekniske data

4.1 Tekniske data



Merkespenning, merkestrøm, frekvens og nominell inngangseffekt står på typeskiltet for ditt land.

Ved drift med generator eller transformator må generatorens eller transformatorens utgangseffekt være minst dobbelt så stor som den nominelle inngangseffekten som er oppgitt på maskinens typeskilt. Driftsspenningen for transformatoren eller generatoren må alltid ligge innenfor +5 % og -15 % av merkespenningen for maskinen.

Vekt, liten grunnplate	4,5 kg
Vekt, stor grunnplate	4,7 kg
Sagbladdiameter	160 mm ... 165 mm
Stambladykkelse på sagbladene	1,1 mm ... 1,5 mm
Festehull for sagblad	20 mm
Kuttedybde ved 0°	0 mm ... 55 mm
Kuttedybde ved 45°	0 mm ... 41 mm
Kuttedybde ved 50°	0 mm ... 37 mm
Turtall ved tomgang	5 500 o/min

4.2 Støyinformasjon og vibrasjonsverdier iht. EN 62841

Lydtrykk- og vibrasjonsverdiene som er angitt i denne bruksanvisningen, er målt i samsvar med en normert målemetode og kan brukes til sammenligning av elektroverktøy. De egner seg også til en foreløpig vurdering av eksponeringene.

De angitte dataene representerer de viktigste bruksområdene for elektroverktøyet. Men hvis elektroverktøyet brukes til andre formål, med avvikende innsatsverktøy eller med utilstrekkelig vedlikehold, kan dataene avvike. Dette kan øke eksponeringene betraktelig gjennom hele arbeidsperioden.

For å få en nøyaktig vurdering av eksponeringene må man også ta hensyn til tidsrommene da maskinen er slått av eller er i gang, men ikke i drift. Dette kan redusere eksponeringene betraktelig gjennom hele arbeidsperioden.

Fastsett ekstra sikkerhetstiltak for å beskytte operatøren mot effekten av støy og/eller vibrasjoner, for eksempel: Vedlikehold av elektroverktøy og innsatsverktøy, holde hendene varme, organisering av arbeidsprosesser.



Støyinformasjon

Lydeffektnivå (L_{WA})	101 dB(A)
Lydtrykknivå (L_{pA})	90 dB(A)
Usikkerhet	3 dB(A)

Vibrasjonsinformasjon

	230 V	110 V
Triaksial vibrasjonsverdi ved saging i tre (a_h)	1,77 m/s ² (5,81 ft/s ²)	2,12 m/s ² (6,96 ft/s ²)
Usikkerhet (K)	1,5 m/s ²	1,5 m/s ²

5 Betjening**5.1 Demontere sagbladet 3****⚠ ADVARSEL**

Fare for forbrenninger Fare på grunn av varmt verktøy, spennflens eller spennskrue og skarpe sagbladkanter.

► Bruk arbeidshansker ved bytte av verktøy.

1. Trekk støpslet ut av stikkontakten.
2. Sett unbrakonøkkelen på festeskruen til sagbladet.
3. Trykk og hold inne spindellåsknappen.
4. Drei spennskruen for sagbladet med en unbrakonøkkel til spindellåsknappen klikker på plass.
5. Løsne spennskruen med unbrakonøkkelen ved å dreie i rotasjonspilens retning.
6. Ta av spennskruen og den ytre spennflensen.
7. Åpne pendelverndekelet ved å svinge det vekk, og fjern sagbladet.



Ved behov kan holdeflensen tas av for rengjøring.

5.2 Montere sagblad 4**⚠ FORSIKTIG**

Fare for materiell skade Uegnete eller feilmonterte sagblad kan skade sagen.

- Bruk kun sagblad som er beregnet for denne sagen. Legg merke til rotasjonsretningspilen på sagbladet.
- Bruk bare sagblad med et tillatt turtall som er minst like høyt som det høyeste angitte turtallet på produktet.

1. Trekk støpslet ut av stikkontakten.
2. Rengjør festeflensen og spennflensen.
3. Sett på holdeflensen i riktig retning.
4. Åpne pendelverndekelet.
5. Sett inn det nye sagbladet.
6. Sett på den ytre spennflensen i riktig retning.
7. Sett inn spennskruen.
8. Sett unbrakonøkkelen på spennskruen til sagbladet.
9. Fest spennflensen med spennskruen ved å dreie med urviseren. Hold spindellåsknappen inntrykt når du gjør dette.
10. Kontroller at sagbladet sitter fast og er riktig montert før maskinen tas i bruk.

5.3 Stille inn kuttedybde 5

1. Trekk støpslet ut av stikkontakten.
2. Løsne klemarmen på kuttedybdeinnstillingen.



- Løft opp sirkelsagen i en saksebevegelse og still inn kuttedybden.
 - Kuttedybden vises på kuttedybdeskalaen.



For en ren snittkant må kuttedybden tilsvare materialtykkelsen pluss 2 mm.

- Fest klemarmen for kuttedybdeinnstillingen.

5.4 Stille inn snittvinkel

- Trekk støpslet ut av stikkkontakten.
- Løsne klemarmen på snittvinkelinnstillingen.
- Sving grunnplaten til ønsket snittvinkel.
 - Snittvinkelen vises på snittvinkelskalaen.
- Trekk til klemarmen på snittvinkelinnstillingen.

5.5 Snittmarkør

På den fremre grunnplaten på sirkelsagen er det en snittmarkør (0° og 45°) både for rette og skrå snitt. Den gjør det mulig å utføre nøyaktige kutt ut fra den valgte snittvinkelen. Kanten på snittmarkøren tilsvarer innsiden på sagbladet. Det finnes en snittmarkør ved fremre utsparring for sagbladet.

5.5.1 Sage etter strek



Sikre emnet slik at det ikke forskyver seg.

Legg emnet slik at sagbladet roterer fritt under emnet.

Kontroller at av/på-bryteren på produktet er slått av.

Plasser sirkelsagen med grunnplaten på emnet slik at sagbladet ikke er i kontakt med emnet.

- Slå på sirkelsagen.
- Før sirkelsagen langs streken gjennom emnet i egnet arbeidstempo.

5.6 Saging med parallellanlegg

Det enarmede parallellanlegget muliggjør eksakte kutt langs kanten på emnet og kutting av lister med samme mål. Parallellanlegget kan monteres på begge sider av grunnplaten.

Det toarmede parallellanlegget kan bare brukes med den store grunnplaten.

Ved montering av parallellanlegget må du passe på riktig retning.

5.7 Sag med ledeskinne.

Saging med ledeskinne kan redusere risikoen for rekyl.

5.7.1 Sette sirkelsagen inn i/ta sirkelsagen ut av ledeskinneadapteren



På sager med liten grunnplate må du bruke en ledeskinneadapter som passer til ledeskinnen.

- Fjern parallellanlegget hvis dette er montert.
- Før grunnplaten inn i de bakre holdesporene på ledeskinneadapteren.
- Sett grunnplaten helt inn i ledeskinneadapteren foran. Grunnplaten må klikke helt på plass i fremre holdespor.
- For å ta av sirkelsagen trekker du det fremre holdesporet litt bakover og tar sagen ut av ledeskinneadapteren.

5.7.2 Lengdekutt ved 0°

- Plasser sirkelsagen med sporet merket "0°" på kanten av ledeskinnen.



5.7.3 Lengdekutt ved vinkler inntil 50°

FORSIKTIG

Fare for materiell skade Hvis sagen settes i galt spor, er det fare for sammenstøt mellom sagblad og ledeskinne.

► Sett sagen i riktig spor.

► Plasser sagen med sporet merket "1-50°" på kanten av ledeskinnen.

5.7.4 Sage med ledeskinne

1. Fest ledeskinnen godt nedenfra med to skrutvinger.

2. Plasser sirkelsagen i ledeskinnens oppstillingsområde. For lengdekutt med snittvinkler på 20 - 50° åpner du beskyttelsesdekslet manuelt.



Sirkelsagen må settes på ledeskinnen bak arbeidsstykket.

Pass på at sagbladet ikke har kontakt med emnet.

3. Slå på sirkelsagen.

4. Skyv sirkelsagen jevnt over arbeidsstykket.

- Pendelverndekslet åpnes ved snittvinkler under 20° ved berøring med utløserkanten på siden.
- Det lukkes igjen ved utkjøring på enden av ledeskinnen.

5.8 Sage med og uten sponavsug

Sirkelsagen er utstyrt med en tilkoblingsstuss som passer til vanlige sugeslanger med diameter på 27 mm. Det kan være nødvendig med en adapter for å forbinde støvsugerslangen med sirkelsagen.

Bruk hvis mulig alltid en egnet mobil støvsuger for tre eller tre og mineraler.

Hvis du arbeider uten sponavsug, må du velge utkastretning ved å dreie sponutkastet slik at sponen ledes bort fra deg.



Bruk alltid åndedrettsvern i filterklasse P2, og sørg alltid for tilstrekkelig ventilasjon slik at støvbelastningen blir minst mulig.

6 Service og vedlikehold

6.1 Service og vedlikehold

ADVARSEL

Fare for elektrisk støt! Stell og vedlikehold med isatt nettstøpsel kan føre til alvorlige personskader og forbrenninger.

► Før alt stell og vedlikeholdsarbeid må nettstøpslet trekkes ut!

Pleie

- Fjern gjenstridig smuss forsiktig.
- Bruk en tørr børste for å gjøre rent ventilasjonsåpningene forsiktig.
- Rengjør huset bare med en lett fuktet klut. Ikke bruk silikonholdige pleiemiddel, da dette kan angripe plastdelene.

Vedlikehold

ADVARSEL

Fare for elektrisk støt! Ufagmessige reparasjoner på elektriske komponenter kan føre til alvorlig personskade og forbrenninger.

► Elektriske deler på maskinen må kun repareres av fagfolk.

- Kontroller alle synlige deler regelmessig mht. skade og alle betjeningselementene mht. feilfri funksjon.
- Ved skader og/eller funksjonsfeil må produktet ikke brukes. Få maskinen reparert av **Hilti** service snarest mulig.
- Etter stell- og vedlikeholdsarbeid må alle beskyttelsesinnretninger monteres, og det må foretas funksjonskontroll av dem.



i Av hensyn til sikkerheten må du bare bruke originale reservedeler og forbruksmaterialer. Reservedeler, forbruksmaterialer og tilbehør til produktet, som er godkjent av oss, finner du hos **Hilti Store** eller under: **www.hilti.group**.

6.2 Kontroll etter stell og vedlikeholdsarbeid

i Etter stell og vedlikehold må man kontrollere at alle beskyttelses- og sikkerhetsinnretningene er montert og fungerer som de skal.

- ▶ For å kontrollere pendelverndekeaset åpner du det helt ved å trykke på betjeningsspaken.
 - ↳ Når du har sluppet betjeningsspaken, skal pendelverndekeaset raskt lukke seg helt.

6.3 Rengjøring av sponkanalen

i Hvis nødvendig må du demontere sagbladet under rengjøringen.

1. Trekk støpslet ut av stikkkontakten.
2. Demonter sagbladet. → Side 40
3. Rengjør sponkanalen.
4. Monter sagbladet. → Side 40
5. Kontroller om bevegelige maskindeler fungerer feilfritt og ikke klemmes fast, og om deler er brukt eller skadet slik at dette innvirker på maskinens funksjon.

6.4 Rengjøring av vernet


1. Demonter sagbladet. → Side 40
2. Rengjør vernet forsiktig med en tørr børste.
3. Fjern avleiringer og spon på innsiden av vernet med egnet verktøy.
4. Monter sagbladet. → Side 40

7 Feilsøking

Feil	Mulig årsak	Løsning
Maskinen yter ikke maksimalt.	Skjøteledning for lang og/eller med for lite tverrsnitt.	▶ Bruk en skjøteledning med tillatt lengde og/eller med tilstrekkelig tverrsnitt.
	Strømtilførselen har for lav spenning.	▶ Koble maskinen til en annen strømtilførsel.
Maskinen fungerer ikke.	Strømforsyning brutt.	▶ Sett på et annet elektroverktøy og kontroller funksjonen.
	Nettkabel eller støpsel er defekt.	▶ Få strømledningen eller støpslet kontrollert av en autorisert elektriker, og eventuelt skiftet ut av Hilti service.
	Av/på-bryter defekt.	▶ Få produktet reparert av Hilti service.
	Slitte kullbørster.	▶ Få produktet reparert av Hilti service.
Ingen eller dårlig sugeseffekt	Sponkanalen er tilstoppet.	▶ Rengjør sponkanalen. → Side 43
Pendelverndekeaset lukkes ikke.	Beskyttelsesinnretning tilstoppet.	▶ Rengjør vernet. → Side 43
Maskinen vibrerer kraftigere enn vanlig.	Sagblad feil montert.	▶ Demonter sagbladet og sett det inn igjen riktig vei.



8 Avhending

 **Hilti** maskiner er i stor grad laget av resirkulerbart materiale. En forskriftsmessig materialsortering er en forutsetning for resirkulering. I mange land tar **Hilti** din gamle maskin i retur. Spør **Hilti** kundeservice eller forhandleren din.



- ▶ Kast aldri elektroverktøy, elektronisk utstyr eller batterier i husholdningsavfallet!
-

9 RoHS (direktiv for begrensning av bruk av farlige stoffer)

Under følgende lenke finner du tabellen over farlige stoffer: qr.hilti.com/r2937786.

Du finner en lenke til RoHS-tabellen helt til slutt i denne dokumentasjonen som QR-kode.

10 Produsentgaranti

- ▶ Når det gjelder spørsmål om garantibetingelser, ber vi deg kontakte din lokale **Hilti**-partner.



1 Dokumentaation tiedot

1.1 Tästä dokumentaatiosta

- Lue ehdottomasti tämä dokumentaatio ennen tuotteen käyttöönottoa. Se on turvallisen työnteon ja tuotteen ongelmattoman käsittelyn perusedellytys.
- Noudata tässä dokumentaatiossa ja tuotteessa olevia turvallisuus- ja varoitushuomautuksia.
- Säilytä käyttöohje aina tuotteen yhteydessä ja varmista, että käyttöohje on mukana, kun luovutat tuotteen toiselle henkilölle.

1.2 Merkkien selitykset

1.2.1 Varoitushuomautukset

Varoitushuomautukset varoittavat tuotteen käyttöön liittyvistä vaaroista. Seuraavia varoitustekstejä käytetään:

VAKAVA VAARA

VAKAVA VAARA !

- ▶ Varoittaa uhkaavasta vaaratilanteesta, josta voi seurauksena olla vakava loukkaantuminen tai jopa kuolema.

VAARA

VAARA !

- ▶ Varoittaa mahdollisesta vaarasta, josta voi seurauksena olla vakava loukkaantuminen tai kuolema.

VAROITUS

VAROITUS !

- ▶ Varoittaa mahdollisesta vaaratilanteesta, josta voi seurata loukkaantuminen tai aineellinen vahinko.

1.2.2 Symbolit dokumentaatiossa

Tässä dokumentaatiossa käytetään seuraavia symboleita:

	Lue käyttöohje ennen käyttämistä
	Toimintaohjeita ja muuta hyödyllistä tietoa
	Kierrätyskelpoisten materiaalien käsittely
	Älä hävitä sähkölaitteita ja akkuja tavallisen sekajätteen mukana

1.2.3 Symbolit kuvissa

Kuvissa käytetään seuraavia symboleita:

	Nämä numerot viittaavat vastaavaan kuvaan tämän käyttöohjeen alussa
	Numerointi kertoo työvaiheiden järjestyksen kuvissa ja saattaa poiketa numeroinnista tekstissä
	Kohtanumeroita käytetään kuvassa Yleiskuva , ja ne viittaavat kuvatekstien numerointiin kappa-leessa Tuoteyhteenveto
	Tämän merkin tarkoitus on kiinnittää erityinen huomiosi tuotteen käyttöön ja käsittelyyn.

1.3 Tuotekohtaiset symbolit

1.3.1 Symbolit tuotteessa

Tuotteessa voidaan käyttää seuraavia symboleita:



	Langaton tiedonsiirto
n_0	Nimellisjoutokäyntikierrosluku
	Suojausluokka II (kaksinkertainen eristys)
	Sahanterä

1.4 Tuotetiedot

-tuotteet on tarkoitettu ammattikäyttöön, ja niitä saa käyttää, huoltaa tai korjata vain valtuutettu, koulutettu henkilö. Käyttäjän pitää olla hyvin perillä käyttöön liittyvistä vaaroista. Tuote ja sen varusteet saattavat aiheuttaa vaaratilanteita, jos kokemattomat henkilöt käyttävät tuotetta ohjeiden vastaisesti tai muutoin asiattomasti.

Tyypimerkinnän ja sarjanumeron löydät tyyppikilvestä.

- Kirjoita sarjanumero oikeeseen taulukkoon. Tuotteen tiedot tarvitaan, jos esität kysymyksiä myynti- tai huoltoedustajallemme.

Tuotetiedot

Pyörösaha	SC 55W
Sukupolvi	01
Sarjanumero	

1.5 Vaatimustenmukaisuusvakuutus

Vakuutamme, että tässä kuvattu tuote täyttää voimassa olevien direktiivien ja standardien vaatimukset. Kuva vaatimustenmukaisuusvakuutuksesta on tämän dokumentaation lopussa.

Tekninen dokumentaatio löytyy tästä:

Hilti Entwicklungsgesellschaft mbH | Zulassung Geräte | Hiltistraße 6 | 86916 Kaufering, DE

2 Turvallisuus

2.1 Sähkötyökaluja koskevat yleiset turvallisuusohjeet

⚠ VAKAVA VAARA Lue kaikki turvallisuus- ja käyttöohjeet, selostukset ja tekniset tiedot, jotka liittyvät tähän sähkötyökaluun. Seuraavien ohjeiden noudattamatta jättäminen saattaa johtaa sähköiskuun, tulipaloon ja/tai vakavaan loukkaantumiseen.

Säilytä kaikki turvallisuus- ja käyttöohjeet huolellisesti vastaisen varalle.

Turvallisuusohjeissa käytetty käsite "sähkötyökalu" tarkoittaa verkkokäyttöisiä sähkötyökaluja (joissa verkkojohto) ja akkukäyttöisiä sähkötyökaluja (joissa ei verkkojohtoa).

Työpaikan turvallisuus

- **Pidä työskentelyalue siistinä ja hyvin valaistuna.** Työpaikan epäjärjestys ja valaisemattomat työalueet voivat johtaa tapaturmiin.
- **Älä käytä sähkötyökalua räjähdysalttiissa ympäristössä, jossa on syttyvää nestettä, kaasua tai pölyä.** Sähkötyökalut synnyttävät kipinöitä, jotka saattavat sytyttää pölyn tai höyryt.
- **Pidä lapset ja sivulliset loitolla sähkötyökalua käyttäessäsi.** Voit menettää koneen hallinnan huomiosi suuntautuessa muualle.

Sähköturvallisuus

- **Sähkötyökalun pistokkeen pitää sopia pistorasiaan. Pistoketta ei saa muuttaa millään tavalla. Älä käytä pistorasia-adaptoreita suojamaadotettujen sähkötyökalujen yhteydessä.** Alkuperäisessä kunnossa olevat pistokkeet ja sopivat pistorasiat vähentävät sähköiskun vaaraa.
- **Vältä koskettamasta sähköä johtaviin pintoihin kuten putkiin, pattereihin, liesiin ja jääkaappeihin.** Sähköiskun vaara kasvaa, jos kehosi maadottuu.
- **Älä aseta sähkötyökalua alttiiksi sateelle tai kosteudelle.** Veden tunkeutuminen sähkötyökalun sisään lisää sähköiskun vaaraa.
- **Älä kanna tai ripusta sähkötyökalua verkkojohdostaan äläkä vedä pistoketta irti pistorasiasta johdosta vetämällä. Pidä johto loitolla kuumuudesta, öljystä, terävistä reunoista ja liikkuvista osista.** Vahingoittuneet tai toisiinsa kietoutuneet johdot lisäävät sähköiskun vaaraa.



- ▶ **Kun käytät sähkötyökalua ulkona, käytä ainoastaan ulkokäyttöön soveltuvia jatkojohtoja.** Ulko-käyttöön soveltuvan jatkojohdon käyttö pienentää sähköiskun vaaraa.
- ▶ **Jos sähkötyökalua on välttämätöntä käyttää kosteassa ympäristössä, käytä vikavirtasuojakytkintä.** Vikavirtasuojakytkimen käyttö pienentää sähköiskun vaaraa.

Henkilöturvallisuus

- ▶ **Ole valpas, kiinnitä huomiota työskentelyysi ja noudata tervettä järkeä sähkötyökalua käyttäessäsi. Älä käytä sähkötyökalua, jos olet väsynyt tai huumeiden, alkoholin tai lääkkeiden vaikutuksen alaisena.** Sähkötyökalua käytettäessä hetkellinenkin varomattomuus saattaa aiheuttaa vakavia vammoja.
- ▶ **Käytä henkilökohtaisia suojavarusteita ja aina suojalaseja.** Henkilökohtaiset suojavarusteet, kuten hengityssuojain, luistamattomat turvajalkineet, kypärä ja kuulosuojaimet, pienentävät oikein käytettyinä loukkaantumisriskiä sähkötyökalun käyttötilanteesta riippuen.
- ▶ **Varo tahatonta käynnistämistä. Varmista, että sähkötyökalu on kytketty pois päältä, ennen kuin liität sen verkkovirtaan ja/tai liität siihen akun, otat sen käteesi tai kannat sitä.** Jos kannat sähkötyökalua sormi käyttökytkimellä tai liität pistokkeen pistorasiaan käyttökytkimen ollessa käyntiasennossa, altistat itsesi onnettomuuksille.
- ▶ **Poista kaikki säätötyökalut ja ruuvitaltat, ennen kuin käynnistät sähkötyökalun.** Työkalu tai avain, joka sijaitsee koneen pyöriässä osassa, saattaa johtaa loukkaantumiseen.
- ▶ **Vältä vaikeita työskentelyasentoja. Varmista aina tukeva seisoma-asento ja tasapaino.** Siten voit paremmin hallita sähkötyökalua odottamattomissa tilanteissa.
- ▶ **Käytä työohsi soveltuvia vaatteita. Älä käytä löysiä työvaatteita tai koruja. Pidä hiukset, vaatteet ja käsineet loitolla liikkuvista osista.** Väljät vaatteet, korut ja pitkät hiukset voivat takertua liikkuviin osiin.
- ▶ **Jos pölynpoisto- ja keräilylaitteita voidaan asentaa, sinun on tarkastettava, että ne on liitetty oikein ja että niitä käytetään oikealla tavalla.** Pölynpoistovarustuksen käyttö vähentää pölyn aiheuttamia vaaroja.
- ▶ **Älä tuudittaudu virheelliseen turvallisuuden tunteeseen äläkä laiminlyö sähkötyökaluja koskevia turvallisuusohjeita silloinkaan, kun mielestäsi jo olet kokenut sähkötyökalun käyttäjä.** Harkitsema-ton ja huolimaton toiminta voi sekunnin murto-osissa johtaa vakaviin loukkaantumiin.

Sähkötyökalun käyttö ja käsittely

- ▶ **Älä ylikuormita konetta. Käytä kyseiseen työhön tarkoitettua sähkötyökalua.** Sopivaa sähkötyökalua käyttäen työskentelet paremmin ja varmemmin tehoalueella, jolle sähkötyökalu on tarkoitettu.
- ▶ **Älä käytä sähkötyökalua, jonka käyttökytkin ei toimi.** Sähkötyökalu, jota ei enää voida käynnistää ja pysäyttää käyttökytkimellä, on vaarallinen ja se täytyy korjata.
- ▶ **Irrota pistoke pistorasiasta ja/tai irrota akku ennen kuin muut säätöjä, vaihdat terää tai lisäva-rusteita ja kun lopetat koneen käyttämisen.** Tämä turvatoimenpide estää sähkötyökalun tahattoman käynnistysriskin.
- ▶ **Säilytä sähkötyökalut poissa lasten ulottuvilta, kun niitä ei käytetä. Älä anna toisten henkilöiden käyttää konetta, elleivät he ole perehtyneet sen käyttöön ja lukeneet käyttöohjeita.** Sähkötyökalut ovat vaarallisia, jos niitä käyttävät kokemattomat henkilöt.
- ▶ **Hoida sähkötyökaluja ja niiden varusteita huolella. Tarkasta, että liikkuvat osat toimivat moit-teettomasti eivätkä ole puristuksissa, ja tarkasta myös, ettei sähkötyökalussa ole murtuneita tai vaurioituneita osia, jotka saattaisivat haitata sen toimintaa. Korjauta vaurioituneet osat ennen koneen käyttämistä.** Usein loukkaantumisten ja tapaturmien syynä on sähkötyökalujen laiminlyöty huolto.
- ▶ **Pidä terät terävinä ja puhtaina.** Huolella hoidetut terät, joiden leikkausreunat ovat teräviä, eivät jumitu herkästi, ja niillä työnteke on kevyempää.
- ▶ **Käytä sähkötyökalua, lisävarusteita ja tarvikkeita, teriä jne. niiden käyttöohjeiden mukaisesti. Ota tällöin työolosuhteet ja suoritettava työtehtävä huomioon.** Sähkötyökalun käyttö muuhun kuin sille tarkoitettuun käyttöön saattaa johtaa vaarallisiin tilanteisiin.
- ▶ **Pidä käsikahvat ja tartuntapinnat kuivina, puhtaina, öljyttöminä ja rasvattomina.** Jos käsikahvat tai tartuntapinnat ovat liukkaat, sähkötyökalun turvallinen käyttö ja hallinta voi yllättävissä tilanteissa olla mahdotonta.

Huolto

- ▶ **Anna koulutettujen ammattihenkilöiden korjata sähkötyökalusi ja hyväksy korjauksiin vain alkupe-räisiä varaosia.** Siten varmistat, että sähkötyökalu säilyy turvallisena.



2.2 Kaikkia sahoja koskevat turvallisuusohjeet

Sahaustapa

- ▶ **⚠ VAKAVA VAARA: Älä vie käsiäsi sahausalueelle tai lähelle sahanterää. Pidä toisella kädelläsi kiinni lisäkavhasta tai moottorikotelosta.** Kun pidät sahasta kiinni molemmin käsin, et voi satuttaa käsiäsi sahanterään.
- ▶ **Älä tartu työkappaleeseen kiinni sen alapinnalta.** Teräsuojus ei voi suojata käsiäsi sahanterältä työkappaleen alapuolelta.
- ▶ **Säädä sahausvyvyys aina sahattavan työkappaleen vahvuuden mukaisesti.** Työkappaleen toiselta puolelta pitää tulla näkyviin sahanterää vähemmän kuin terän täyden hammaskorkeuden verran.
- ▶ **Älä koskaan pidä sahattavaa työkappaletta paikallaan käsin tai jalalla. Saha työkappaleet aina tukevalla alustalla.** Työkappaleen kunnollinen kiinnittäminen on tärkeää, jotta estät työkappaletta tai sahaa koskettamasta kehoasi tai sahanterää tarttumasta kiinni ja jotta varmistat koneen hallinnan säilyttämisen.
- ▶ **Pidä sähkötyökalusta kiinni vain sen eristetyistä kahvipinnoista, jos teet työtä, jossa terä saattaa osua rakenteen sisällä olevaan virtajohtoon tai koneen omaan verkkojohtoon.** Jos terä osuu virtajohtoon, sähkötyökalun metalliosiin saattaa johtua virta, jolloin saatat saada sähköiskun.
- ▶ **Käytä rajoitinta tai suoraa reunaohjainta aina kun teet pitkittäistä sahausta.** Siten saat aikaan tarkempaa jälkeä ja estät sahanterää tarttumasta kiinni.
- ▶ **Käytä aina oikean kokoista sahanterää, jonka kiinnitysreikä on oikean muotoinen (esimerkiksi tähtimäinen tai pyöreä).** Sahassa oleviin kiinnitysoisiin sopimaton sahanterä ei pyöri tasaisesti, mikä saattaa johtaa koneen hallinnan menettämiseen.
- ▶ **Älä koskaan käytä vaurioituneita tai vääranlaisia sahanterän aluslevyjä tai -ruuveja.** Sahanterän aluslevyt ja -ruuvit on suunniteltu erityisesti kuhunkin sahaan, jotta sahan teho ja käyttöturvallisuus olisivat parhaat mahdolliset.

Takaisku - sen syyt ja siihen liittyvät turvallisuusohjeet

- Takaisku on sahanterän kiinni tarttumisen tai takertumisen tai sahanterän väärin suunnattujen hampaiden vuoksi syntyvä tilanne, jossa saha itsestään pyrkii ylöspäin ja nousemaan irti työkappaleesta kohti koneen käyttäjää;
- jos sahanterä tarttuu kiinni tai takertelee kaventuvaan sahausrakoon, sahanterä jumittuu, ja moottorin voima iskee konetta takaisinpäin kohti sahan käyttäjää;
- jos sahanterä taipuu sahausraosta tai on väärin suunnattu, sahanterän takareunan hampaat saattavat tarttua kiinni työkappaleen pintaan, minkä seurauksena sahanterä liikkuu ylös sahausraosta ja saha iskee takaisinpäin kohti koneen käyttäjää.

Takaisku aiheutuu sahan väärästä tai virheellisestä käytämisestä. Sen esiintymistä voit välttää noudattamalla seuraavassa annettuja ohjeita.

- ▶ **Pidä sahasta kunnolla molemmin käsin kiinni ja pidä kätesi asennossa, jossa pystyt hyvin vastustamaan mahdollisia takaiskuvoimia. Pysyttele aina sahanterän sivulla, älä koskaan asetu samaan linjaan sahanterän kanssa.** Takaiskun sattuessa pyörösaaha voi ponnahtaa taaksepäin, mutta käyttäjä pystyy sopivin toimenpitein hallitsemaan näitä takaiskuvoimia.
- ▶ **Jos sahanterä tarttuu kiinni tai keskeytät työnteon, kytke saha pois päältä ja odota sahanterä työkappaleessa, kunnes sahanterä on kokonaan pysähtynyt. Älä koskaan yritä nostaa sahaa irti työkappaleesta tai vetää sahaa taaksepäin sahanterän vielä pyöriessä, sillä muutoin takaisku saattaa yllättää.** Määritä ja poista sahanterän kiinni tarttumisen syy.
- ▶ **Kun haluat käynnistää uudelleen sahan, jonka terä on työkappaleessa, keskitä ensin sahanterä sahausrakoon ja tarkasta, ettei sahanterän yksikään hammas ole kiinni työkappaleessa.** Jos sahanterä tarttuu kiinni, sahanterä saattaa ponnahtaa irti työkappaleesta tai aiheuttaa takaiskun, kun käynnistät sahan uudelleen.
- ▶ **Tue levyt tai suuremmat työkappaleet hyvin, jotta sahanterän mahdollisen kiinni tarttumisen aiheuttama takaiskuvaara vähenee.** Suuremmat levyt saattavat oman painonsa vuoksi taipua. Levyjä on siksi tuettava molemmilta sivuilta sekä sahausraon ja reunan läheltä.
- ▶ **Älä käytä tylsiä tai vaurioituneita sahanteräiä.** Tylsät sahanterät tai sahanterät, joiden hampaiden suuntaus on väärä, tekevät sahausraosta liian ahtaan, mikä lisää kitkaa ja sahanterän kiinni tarttumisen vaaraa.
- ▶ **Kiristä sahausvyvyiden ja sahauskulman säädöt kiinni ennen sahaamista.** Jos muutat säätöjä sahaamisen aikana, sahanterä voi tarttua kiinni, ja saha saattaa iskeä takaisin.
- ▶ **Ole erityisen varovainen upottaessasi terää seinään tai muuhun kohteeseen, jonka rakennetta et näe tarkasti.** Materiaaliin upotettava sahanterä saattaa tarttua kiinni materiaalin sisällä oleviin kappaleisiin tai esineisiin, minkä seurauksena kone iskee takaisin.



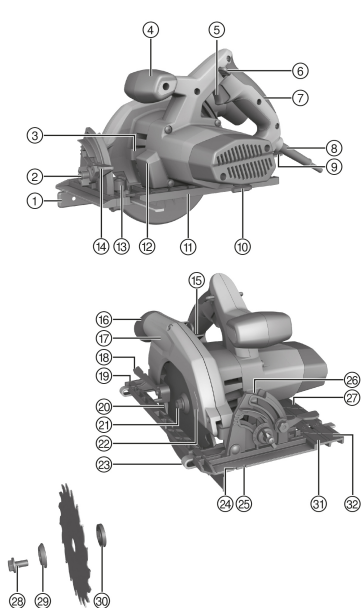
Alemman teräsuojuksen toiminta

- ▶ **Tarkasta aina ennen koneen käyttämistä, että alempi teräsuojus toimii kunnolla. Älä käytä sahaa, jos alempi teräsuojus ei liiku vapaasti tai sulkeudu nopeasti. Älä koskaan kiilaa tai muutoin sido alempaa teräsuojusta auki-asentoon.** Jos saha vahingossa putoaa, alempi teräsuojus saattaa taipua. Avaa teräsuojus avausvivusta ja varmista, että suojus liikkuu esteettä eikä missään sahauskulmassa tai -syvyydessä kosketa sahanterää tai muita osia.
- ▶ **Tarkasta alemman teräsuojuksen jousen toiminta. Korjauta kone ennen käyttämistä, jos alempi teräsuojus ja jousi eivät toimi kunnolla.** Vaurioituneet osat, kiinni takertuva sahanpuru ja lika tai lastut saattavat hidastaa alemman teräsuojuksen toimintaa.
- ▶ **Avaa alempi teräsuojus käsin vain tehdessäsi tietynlaista sahaustyötä kuten upotus- tai kulma-sahausta. Avaa alempi teräsuojus avausvivulla ja vapauta vipu heti, kun sahanterä on uponnut työkappaleeseen.** Kaikissa muunlaisissa sahaustöissä alemman teräsuojuksen pitää antaa toimia automaattisesti.
- ▶ **Älä laske sahaa työpöydälle tai lattialle, jos alempi teräsuojus ei peitä sahanterää.** Suojaamaton, vielä pyörivä sahanterä liikuttaa sahaa sahaussuuntaan nähden vastakkaiseen suuntaan ja sahaa kaiken, mitä eteen sattuu. Tämän vuoksi varo sahanterän pysähdyksiin pyörimistä.

2.3 Pyörösahojen muut turvallisuusohjeet

- ▶ Pyörösahan on aina oltava kytkettynä, kun se viedään työkappaleeseen.
 - ↳ Sahattavalla linjalla ei saa olla esteitä ylhäällä eikä alhaalla. Älä sahaa ruuveihin, nauloihin tai vastaaviin.
- ▶ Älä tee pyörösahalla työtä pääsi yläpuolella.
- ▶ Älä hidasta sahanterän nopeutta painamalla sitä sivusuuntaan.
- ▶ Vältä sahanterän hampaiden kärkien ylikuumentumista.
- ▶ Muovia sahattaessa on vältettävä muovin sulamista.
- ▶ Käytä aina sahattavaan materiaaliin sopivaa sahanterää.
- ▶ Käytä vain Hiltin suosittelemia sahanteriä, jotka vastaavat standardia EN 847-1.



3.1 Tuoteyhteenvedo 1


- ① Yksivartinen reunaohjain
- ② Sahauskulman esiasetus
- ③ Karan lukituspainike
- ④ Lisäkäsikahva
- ⑤ Käyttökytkin
- ⑥ Käynnistymisen estokatkaisin
- ⑦ Käsikahva
- ⑧ Verkkojohto
- ⑨ Sahaussyvyyden säädön lukitusvipu
- ⑩ Kuusiokoloavain
- ⑪ Pieni pohjalevy
- ⑫ LED-valo
- ⑬ Reunaohjaimen etupään lukitusvipu
- ⑭ Sahauskulman säädön lukitusvipu
- ⑮ Sahaussyvyyden asteikko
- ⑯ Poistoimuliitäntä (pölynimuri)
- ⑰ Teräsuojus
- ⑱ Kupusuojuksen käyttövipu
- ⑲ Reunaohjaimen takapään lukitusvipu (vain jos suuri pohjalevy)
- ⑳ Kupusuojus
- ㉑ Käyttökara
- ㉒ Pyörimissuuntanuoli
- ㉓ Kaksivartinen reunaohjain
- ㉔ Sahausmerkintä 0°
- ㉕ Sahausmerkintä 45°
- ㉖ Sahauskulman asteikko
- ㉗ Suuri pohjalevy
- ㉘ Kiinnitysruuvi
- ㉙ Kiristyslaippa
- ㉚ Kiinnityslaippa
- ㉛ Uramerkintä 0° pohjalevyssä
- ㉜ Uramerkintä 1° - 50° pohjalevyssä

3.2 Ohjainkiskoadapterin yhteenvedo 2

- ③③ Tukiharjanne takapäässä
- ③④ Tukiharjanne edessä
- ③⑤ Uramerkintä 0°
- ③⑥ Uramerkintä 1° - 50°

3.3 Tarkoituksenmukainen käyttö

Kuvattu tuote on pyörösaha. Se on tarkoitettu puun tai puun kaltaisten materiaalien, muovien, kipsikartongin, kipsikuitulevyjen ja seosmateriaalien sahaamiseen sahaussyvyyteen 55 mm saakka sekä enintään 50° jiriliitosten sahaamiseen.

3.3.1 Mahdollinen väärä käyttö

Sahanteriä, jotka eivät vastaa Tekniset tiedot -kohdassa annettuja tietoja, katkaisulaikkoja ja hiomalaikkoja sekä suurlejeeringistä valmistettuja pikaterästeriä (HSS-teräs) ei saa käyttää. Metalleja ei saa sahata.

3.4 Toimituksen sisältö

Pyörösaha, sahanteriä, kuusiokoloavain, reunaohjain, käyttöohje.





Käyttöturvallisuuden varmistamiseksi käytä vain alkuperäisiä varaosia ja kulutusaineita. Tälle tuotteelle hyväksytyjä varaosia, kulutusmateriaaleja ja lisävarusteita löydät **Hilti Store** -liikkeestä tai osoitteesta: www.hilti.group

4 Tekniset tiedot

4.1 Tekniset tiedot



Nimellisjännitteen, nimellisvirran, verkkovirran taajuuden ja nimellisottotehon näet maakohtaisesta tyyppikilvestä.

Jos konetta käytetään generaattoriin tai muuntajaan liitettynä, generaattorin tai muuntajan antotehon pitää olla vähintään kaksi kertaa niin suuri kuin koneen tyyppikilpeen merkitty nimellisottoteho. Muuntajan tai generaattorin käyttöjännitteen pitää aina olla rajoissa +5 % ja -15 % koneen nimellisjännitteestä.

Paino, pieni pohjalevy	4,5 kg
Paino, suuri pohjalevy	4,7 kg
Sahanterän halkaisija	160 mm ... 165 mm
Sahanterien runkolevyn vahvuus	1,1 mm ... 1,5 mm
Sahanterän kiinnitysreikä	20 mm
Sahaussyvyys kun 0°	0 mm ... 55 mm
Sahaussyvyys kun 45°	0 mm ... 41 mm
Sahaussyvyys kun 50°	0 mm ... 37 mm
Tyhjäkäyntikierrosluku	5 500/min

4.2 Melutiedot ja värinäarvot EN 62841 mukaan

Tässä käyttöohjeessa annetut äänenpaine- ja värinäarvot on mitattu standardoitujen mittausmenetelmien mukaisesti, ja näitä arvoja voidaan käyttää sähkötyökalujen vertailussa. Ne soveltuvat myös altistumisten tilapäiseen arviointiin.

Annetut arvot koskevat sähkötyökalun pääasiallisia käyttötarkoituksia. Jos sähkötyökalua kuitenkin käytetään muihin tarkoituksiin, poikkeavia työkaluja tai teriä käyttäen tai puutteellisesti huollettuna, arvot voivat poiketa tässä ilmoitetuista. Tämä saattaa merkittävästi lisätä altistumista koko työskentelyajan aikana.

Altistumisia tarkasti arvioitaessa on otettava huomioon myös ne ajat, jolloin kone on kytketty pois päältä tai jolloin kone on päällä, mutta sillä ei tehdä varsinaista työtä. Tämä saattaa merkittävästi vähentää altistumista koko työskentelyajan aikana.

Käyttäjän suojaamiseksi melun ja/tai värinän vaikutukselta ryhdy tarpeellisiin turvatoimenpiteisiin kuten: Sähkötyökalun ja siihen kiinnitettävien työkalujen huolto, käsien lämpimänä pitäminen, työtehtävien organisointi.

Meluarvot

Äänitehotaso (L_{WA})	101 dB(A)
Äänenpainetaso (L_{pA})	90 dB(A)
Epävarmuus	3 dB(A)

Tärinäarvot

	230 V	110 V
Kolmen akselin suuntainen värinäarvo sahattaessa puuta (a_h)	1,77 m/s ² (5,81 ft/s ²)	2,12 m/s ² (6,96 ft/s ²)
Epävarmuus (K)	1,5 m/s ²	1,5 m/s ²



5 Käyttö

5.1 Sahanterän irrotus 3

VAARA

Palovammavaara Kuuman terän, kiristyslaipan tai kiinnitysruuvin sekä sahanterän terävien reunojen aiheuttama vaara.

- Käytä suojakäsineitä, kun vaihdat työkalua.

1. Irrota pistoke verkkopistorasiasta.
2. Aseta kuusiokoloavain sahanterän kiinnitysruuviin.
3. Paina karajarrun painiketta ja pidä painettuna.
4. Kierrä sahanterän kiinnitysruuvia kuusiokoloavaimella, kunnes karajarrun painike lukittuu kokonaan.
5. Avaa kiinnitysruuvi kuusiokoloavaimella pyörimissuuntanuolen suuntaan kiertäen.
6. Irrota kiinnitysruuvi ja ulompi kiristyslaippa.
7. Avaa kupusuojus kääntämällä ja irrota sahanterä.



Tarvittaessa kiinnityslaippa voidaan irrottaa puhdistamista varten.

5.2 Sahanterän kiinnitys 4

VAROITUS

Vaurioitusvaara Soveltumaton tai väärin kiinnitetty sahanterä voi vaurioittaa sahaa.

- Käytä vain sahanteriä, jotka soveltuvat tälle sahalle. Ota sahanterässä oleva pyörimissuuntanuoli huomioon.
- Käytä vain sellaisia sahanteriä, joiden sallittu kierros-luku on vähintään yhtä suuri kuin tuotteessa ilmoitettu maksimikierros-luku.

1. Irrota pistoke verkkopistorasiasta.
2. Puhdista kiinnitys- ja kiristyslaippa.
3. Aseta kiinnityslaippa oikein paikalleen.
4. Avaa kupusuojus.
5. Aseta uusi sahanterä paikalleen.
6. Aseta ulompi kiristyslaippa kunnolla paikalleen.
7. Kiinnitä kiinnitysruuvi.
8. Aseta kuusiokoloavain sahanterän kiinnitysruuviin.
9. Kiinnitä kiristyslaippa kiinnitysruuvilla myötäpäivään kiertäen. Pidä tällöin karajarrun painike painettuna.
10. Tarkasta sahanterän tiukka ja kunnollinen kiinnitys ennen koneen käyttämistä.

5.3 Sahaussyvyyden säätö 5

1. Irrota pistoke verkkopistorasiasta.
2. Löystyä syvyys-säädön lukitusvipu.
3. Nosta pyörö-saha aksimaisella liikkeellä ja säädä sahaussyvyys.
 - ↳ Sahaussyvyyden näkee syvyysasteikosta.



Jotta sahausreunasta tulee siisti, sahaussyvyydeksi pitää säätää materiaalin paksuus plus 2 mm.

4. Lukitse syvyys-säädön lukitusvipu.

5.4 Sahauskulman säätö 6

1. Irrota pistoke verkkopistorasiasta.
2. Löystyä kallistussäädön lukitusvipu.
3. Käännä pohjalevy haluamaasi sahauskulmaan.
 - ↳ Sahauskulman näkee kulma-asteikosta.
4. Kiristä kallistussäädön lukitusvipu kiinni.



5.5 Piirtoreuna

Pyörösahan etummaisessa pohjalevyssä on sekä kohtisuorassa sahaamiseen että kallistettuna sahaamiseen tarkoitettu piirtoreuna (0° ja 45°). Sen avulla pystyt tarkasti sahaamaan valitsemasi sahauskulman mukaisesti. Piirtoreuna vastaa sahanterän sisäreunaa. Piirtoreuna sijaitsee sahanterän etupään aukossa.

5.5.1 Sahaus piirtoreunaa pitkin 7



Varmista, että työkalupale pysyy paikallaan.

Sijoita työkalupale siten, että sahanterälle on esteettömästi tilaa työkalupaleen alla.

Varmista, että tuotteen käyttökytkin on pois päältä -asennossa.

Aseta pyörösaha pohjalevyypinta edellä työkalupalletta vasten siten, että sahanterä ei vielä kosketa työkalupalletta.

1. Kytke pyörösaha päälle.
2. Ohjaa pyörösahaa sopivalla nopeudella piirtolinjaa pitkin työkalupaleen läpi.

5.6 Sahaaminen reunaohjainta käyttäen 3

Yksivartisen reunaohjaimen avulla voit sahata tarkasti työkalupaleen reunan tai mitoitaan samanlaisen listan mukaisesti. Voit kiinnittää reunaohjaimen pohjalevyn kumpaankin reunaan.

Kaksivartista reunaohjainta voi käyttää vain suuren pohjalevyn yhteydessä.

Kun kiinnität reunaohjainta, varmista sen oikea sijainti.

5.7 Sahaaminen ohjainkiskoa käyttäen.

Sahaaminen ohjainkiskoa käyttäen vähentää takaiskun riskiä.

5.7.1 Pyörösahan kiinnitys ohjainkiskoadapteriin ja irrotus ohjainkiskoadapterista 9



Jos sahassa on pieni pohjalevy, käytä ohjainkiskoon sopivaa ohjainkiskoadapteria.

1. Irrota mahdollisesti asennettu reunaohjain.
2. Ohjaa pohjalevy ohjainkiskoadapterin takapäin tukiharjanteisiin.
3. Aseta pohjalevy edessä kokonaan ohjainkiskoadapteriin. Pohjalevyn pitää lukittua kunnolla etupään tukiharjanteeseen.
4. Irrottamiseksi vedä etupään tukiharjanteesta kevyesti eteenpäin ja irrota pyörösaha ohjainkiskoadapterista.

5.7.2 Pitkittäinen sahaaminen kulmassa 0° 10

- ▶ Aseta pyörösaha uramerkin "0°" kohdalta ohjainkiskon harjanteeseen.

5.7.3 Pitkittäinen sahaaminen enintään 50° kulmassa 11

VAROITUS

Vaurioitumisvaara Jos saha asetetaan väärään uraan, sahanterä saattaa osua ohjainkiskoon.

- ▶ Aseta saha oikeaan uraan.
- ▶ Aseta saha uramerkin "1°-50°" kohdalta ohjainkiskon harjanteeseen.

5.7.4 Sahaaminen ohjainkiskoa käyttäen 12

1. Kiinnitä ohjainkisko alhaaltapäin kahdella ruuvipuristimella.
2. Aseta pyörösaha ohjainkiskoon asetusalueelle. Pitkittäistä sahaamista kulmissa 20° - 50° varten avaa teräsuojus manuaalisesti.



Pyörösaha pitää asettaa ohjainkiskoon työkalupaleen taakse.

Varmista, ettei sahanterä kosketa työkalupalletta.

3. Kytke pyörösaha päälle.



4. Työnnä pyörösaha tasaisesti työkappaleen yli.

- Kulmissa alle 20° sahaamista varten kupusuojus avautuu koskettaessaan sivulla olevaa ohjainreunaa.
- Se sulkeutuu koneen tullessa irti ohjainkiskon päästä.

5.8 Sahaaminen poistoimuria käyttäen ja ilman poistoimuria

Pyörösahassa on poistoimuliitäntä, johon sopii yleismallinen imuriletku halkaisijaltaan 27 mm. Pölynimurin letkun liittäminen pyörösahaan saattaa vaatia sopivan adapterin.

Kun työstät puuta tai puun kaltaista materiaalia, käytä mahdollisuuksien mukaan aina soveltuvaa liikuteltavaa pölynpoistovarustusta.

Jos haluat tehdä työtä ilman pölynpoistoa, valitse lastujen poisohjaussuunta kiertämällä lastunohjainta siten, että lastut suuntautuvat sinusta pois päin.



Käytä aina suodatusluokan P2 hengityssuojainta ja varmista aina työskentelytilan hyvä tuuletus, jotta tilan pölypitoisuus pysyy mahdollisimman pienenä.

6 Huolto ja kunnossapito

6.1 Huolto, hoito ja kunnossapito



VAARA

Sähköiskun vaara! Hoito- ja kunnostustöiden suorittaminen pistoke pistorasiaan liitettynä voi johtaa vakaviin loukkaantumisiin ja palovammoihin.

- ▶ Irrota pistoke verkkopistorasiasta aina ennen hoito- ja kunnostustöitä!

Huolto ja hoito

- Poista pinttynyt lika varovasti.
- Puhdista jäähdytysilmarat varovasti kuivalla harjalla.
- Käytä kotelon puhdistamiseen vain kevyesti kostutettua kangasta. Älä käytä silikonia sisältäviä hoitoaineita, sillä ne voivat vaurioittaa muoviosia.

Kunnossapito



VAARA

Sähköiskun aiheuttama vaara! Sähköosien asiantuntemattomat korjaukset voivat aiheuttaa vakavia loukkaantumisia ja palovammoja.

- ▶ Sähköosien korjaustyöt saa tehdä ainoastaan valtuutettu sähköasentaja.
- Tarkasta säännöllisin välein kaikkien näkyvien osien mahdolliset vauriot ja käyttöelementtien moitteeton toiminta.
- Jos havaitset vaurioita ja / tai toteat toimintahäiriöitä, älä käytä tuotetta. Korjauta heti **Hilti**-huollossa.
- Hoito- ja kunnostustöiden jälkeen kiinnitä kaikki suojalaitteet ja tarkasta niiden toiminta.



Käyttöturvallisuuden varmistamiseksi käytä vain alkuperäisiä varaosia ja käyttömateriaaleja. Tälle tuotteelle hyväksytyjä varaosia, kulutusmateriaaleja ja lisävarusteita löydät **Hilti Store** -liikkeestä tai osoitteesta: www.hilti.group.

6.2 Tarkastus huolto- ja kunnossapitotöiden jälkeen



Tarkasta huolto- ja kunnossapitotöiden jälkeen, että kaikki suojalaitteet on asennettu oikein ja että ne toimivat moitteettomasti.

- ▶ Tarkasta kupusuojuksen toiminta avaamalla se käyttövivulla kokonaan.
 - Kun vapautat käyttövivun, kupusuojuksen pitää sulkeutua nopeasti ja kokonaan.

6.3 Lastukanavan puhdistus



Tarvittaessa sahanterä on irrotettava puhdistuksen ajaksi.



1. Irrota pistoke verkkopistorasiasta.
2. Irrota sahanterä. → Sivu 52
3. Puhdista lastukanava.
4. Kiinnitä sahanterä. → Sivu 52
5. Tarkasta, että liikkuvat osat toimivat moitteettomasti eivätkä ole puristuksessa, ja tarkasta myös, ettei sähkötyökalussa ole murtuneita tai vahingoittuneita osia, jotka saattaisivat vaikuttaa haitallisesti sähkötyökalun toimintaan.

6.4 Suojalaitteiden puhdistus

1. Irrota sahanterä. → Sivu 52
2. Puhdista suojalaitteet varovasti kuivalla harjalla.
3. Poista suojalaitteiden sisälle kertynyt massa ja lastut sopivalla työkalulla.
4. Kiinnitä sahanterä. → Sivu 52

7 Vianmääritys

Häiriö	Mahdollinen syy	Ratkaisu
Koneen teho on heikko.	Jatkojohto on liian pitkä ja/tai sen poikkipinta-ala on liian pieni.	► Käytä jatkojohtoa, jonka pituus on sallittu ja / tai poikkipinta-ala on riittävä.
	Virransaannin jännite on liian pieni.	► Liitä kone toiseen virtalähteeseen.
Kone ei toimi.	Jännitteensaanti katkennut.	► Liitä toinen sähkötyökalu ja tarkasta toiminta.
	Verkkojohdon tai pistokkeen vika.	► Tarkastuta verkkojohto tai pistoke valtuutetulla sähköasentajalla ja tarvittaessa vaihdata se Hilti -huollossa.
	Käyttökytkin rikki.	► Korjauta tuote Hilti -huollossa.
	Hiilet kuluneet.	► Korjauta tuote Hilti -huollossa.
Ei imutehoa tai imuteho heikko	Lastukanava tukossa.	► Puhdista lastukanava. → Sivu 54
Kupusuojus ei sulkeudu.	Suojalaitteet tukossa.	► Puhdista suojalaitteet. → Sivu 55
Kone tarvitsee normaalia voimakkaammin.	Sahanterä väärin kiinnitetty.	► Irrota sahanterä ja kiinnitä se sitten oikein.

8 Hävittäminen

Hilti-työkalut, -koneet ja -laitteet on pääosin valmistettu kierrätyskelpoisista materiaaleista. Kierrätyksen edellytys on materiaalien asianmukainen lajittelu. Useissa maissa **Hilti** ottaa vanhat koneet ja laitteet vastaan kierrätystä ja hävitystä varten. Lisätietoja saat **Hilti**-huollosta tai -edustajalta.



- Älä hävitä sähkötyökaluja, elektronisia laitteita ja akkuja tavallisen sekajätteen mukana!

9 RoHS (vaarallisten aineiden käytön rajoittamisen direktiivi)

Vaarallisten aineiden taulukon löydät seuraavasta linkistä: qr.hilti.com/r2937786.
Linkki RoHS-taulukkoon on tämän dokumentaation lopussa QR-koodina.

10 Valmistajan myöntämä takuu

- Jos sinulla on takuuehtoihin liittyviä kysymyksiä, ota yhteys paikalliseen **Hilti**-edustajaan.



1 Andmed dokumentatsiooni kohta

1.1 Kasutusjuhend

- Enne seadme kasutuselevõttu lugege see kasutusjuhend läbi. See on ohutu kasutamise ja tõrgeteta töö eeldus.
- Järgige kasutusjuhendis esitatud ja tootele märgitud ohutusnõudeid ja hoiatusi.
- Hoidke kasutusjuhend alati seadme juures ja toote edasiandmisel teistele isikutele andke üle ka kasutusjuhend.

1.2 Märkide selgitus

1.2.1 Hoiatused

Hoiatused annavad märku toote kasutamisel tekkivatest ohtudest. Kasutatakse alljärgnevaid märksõnu:



OHT

OHT !

- ▶ Võimalikud ohtlikud olukorrad, mis võivad põhjustada kasutaja raskeid kehavigastusi või hukkamist.



HOIATUS

HOIATUS !

- ▶ Võimalik ohtlik olukord, mis võib põhjustada kasutaja raskeid kehavigastusi või hukkamist.



ETTEVAATUST

ETTEVAATUST !

- ▶ Võimalikud ohtlikud olukorrad, millega võivad kaasnedna kergemad kehavigastused või varaline kahju.

1.2.2 Kasutusjuhendis kasutatud sümbolid

Selles dokumendis kasutatakse järgmisi sümboleid.

	Lugege enne kasutamist läbi kasutusjuhend!
	Soovitused seadme kasutamiseks ja muu kasulik teave
	Taaskasutatavate materjalide käsitsemise
	Elektriseadmeid ja akusid ei tohi visata olmejäätmete hulka.

1.2.3 Joonistel kasutatud sümbolid

Joonistel kasutatakse järgmisi sümboleid.

	Numbrid viitavad vastavatele joonistele kasutusjuhendi alguses
3	Numeratsioon kajastab tööetappide järjekorda pildi kujul ja võib tekstis kirjeldatud tööetappidest erineda
	Positsiooninumbreid kasutatakse ülevaatejoonisel ja need viitavad selgituste numbritele toote ülevaates
	See märk näitab, et toote käsitsemisel tuleb olla eriti tähelepanelik.

1.3 Tootepõhised sümbolid

1.3.1 Sümbolid tootel

Tootel võidakse kasutada järgmisi sümboleid:

	Andmete traadita ülekandmine
--	------------------------------



n_0	Nimipöörete arv tühikäigul
	Kaitseklass II (topeltisolatsioon)
	Saeketas

1.4 Tooteinfo

HILTI tooted on ette nähtud professionaalsele kasutajale ja neid tohivad käsitseda, hooldada ja korrastada ainult volitatud ja asjaomase väljaõppega isikud. Nimetatud personal peab olema teadlik kõikidest kaasnevatest ohtudest. Seade ja sellega ühendatavad abivahendid võivad osutada ohtlikuks, kui neid ei kasutata nõuetekohaselt või kui nendega töötab vastava väljaõppeta isik.

Tüübitähis ja seerianumber on tüübisildil.

- Kandke seerianumber järgmise tabelisse. Andmeid toote kohta vajate meie esindusele või hooldekeskusele päringute esitamisel.

Tooteinfo

Ketassaag	SC 55W
Põlvkond	01
Seerianumber	

1.5 Vastavusdeklaratsioon

Kinnitame ainuvastutajana, et käesolevas kasutusjuhendis kirjeldatud seade vastab kehtivate direktiivide ja standardite nõuetele: Vastavusdeklaratsiooni koopia leiata käesoleva kasutusjuhendi lõpust.

Tehnilised dokumendid on saadaval:

Hilti Entwicklungsgesellschaft mbH | Zulassung Geräte | Hiltistraße 6 | 86916 Kaufering, DE

2 Ohutus

2.1 Üldised ohutusnõuded elektriliste tööriistade kasutamisel

⚠ HOIATUS! Lugege kõiki selle elektrilise tööriista juurde kuuluvaid ohutusjuhiseid, nõuandeid, jooniseid ja tehnilisi andmeid! Järgmiste juhiste eiramise tagajärg võib olla elektrilöökk, tulekahju ja/või rasked vigastused.

Hoidke kõik ohutusnõuded ja juhised edaspidiseks kasutamiseks alles.

Ohutusjuhistes kasutatud mõiste "elektriline tööriist" käib võrgutoitega (toitejuhtmega) elektriliste tööriistade või akutoitega (toitejuhtmeta) elektriliste tööriistade kohta.

Ohutus töökohal

- **Hoidke oma töökoht puhas ja valgustage seda korralikult.** Korrastamata ja valgustamata töökoht võib põhjustada õnnetusi.
- **Ärge kasutage elektrilist tööriista plahvatusohtlikus keskkonnas, kus leidub tuleohtlikke vedelikke, gaase või tolmu.** Elektrilistest tööriistadest lööb sädeid, mis võivad tolmu või auru süüdata.
- **Hoidke lapsed ja kõik teised töökohast eemal, kui kasutate elektrilist tööriista!** Kui teie tähelepanu juhitakse kõrvale, võib seade teie kontrolli alt väljuda.

Elektriohutus

- **Elektrilise tööriista pistik peab sobima pistikupesaga. Pistiku juures ei tohi teha mingeid muudatusi. Kaitsemaandusega seadmete puhul ei tohi kasutada adapterpistikuid.** Muutmata pistikud ja sobivad pistikupesad vähendavad elektrilöögiohtu.
- **Vältige keha kontakti maandatud pindadega (nt toru, radiaator, pliit, külmik).** Kui teie keha on maandatud, on elektrilöögi oht suurem.
- **Kaitske elektrilist tööriista vihma ja niiskuse eest.** Kui elektrilise tööriista sisemusse satub vett, suurendab see elektrilöögiohtu.
- **Ärge kasutage ühenduskaablit elektrilise tööriista kandmiseks, riputamiseks ega pistiku stepslist väljatõmbamiseks!** Hoidke ühenduskaablit eemal kuumusest, õlidest, teravatest servadest ja liikuvatest osadest. Kahjustatud või keerdu ühenduskaablid suurendavad elektrilöögiohtu.
- **Kui töotate elektrilise tööriistaga vabas õhus, kasutage ainult selliseid pikendusjuhtmeid, mida tohib kasutada ka välitingimustes.** Välitingimustesse sobiva pikendusjuhtme kasutamine vähendab elektrilöögiohtu.



- ▶ **Kui seadmega töötamine niiskes keskkonnas on vältimatu, kasutage rikkevoolu kaitselüliti.** Rikkevoolu kaitselüliti kasutamine vähendab elektrilöögiohtu.

Inimeste ohutus

- ▶ **Olge tähelepanelik, jälgige, mida teete, ja toimige elektrilise tööriistaga töötades kaalutletult. Ärge töötage elektrilise tööriistaga, kui olete väsinud või alkoholi, narkootikumide või ravimite mõju all! Hetkeline tähelepanematus elektrilise tööriista kasutamisel võib põhjustada raskeid kehavigastusi ja varalisi kahju.**
- ▶ **Kandke isiklikke kaitsevahendeid ja alati kaitseprille.** Isiklike kaitsevahendite, nt tolmumaski, libisemiskindlate turvajalatsite, kaitsekiivri või kuulmiskaitsevahendite kandmine (sõltuvalt elektrilise tööriista tüübist ja kasutusala) vähendab vigastusohu.
- ▶ **Vältige elektrilise tööriista soovimatut käivitamist! Enne elektrilise tööriista ühendamist vooluvõrku ja/või elektrilise tööriista aku paigaldamist, tööriista ülestõstmist ja kandmist veenduge, et elektriline tööriist on välja lülitatud!** Kui hoiate elektrilise tööriista kandmisel sõrme lülilit või ühendate vooluvõrku sisselülitatud tööriista, võib juhtuda õnnetus.
- ▶ **Enne elektrilise tööriista sisselülitamist eemaldage selle küljest seade- ja mutrivõtmed.** Elektrilise tööriista pöörleva osa küljes olev seade- või mutrivõti võib põhjustada vigastusi.
- ▶ **Vältige ebataavalist tööasendit! Võtke stabiilne tööasend ja säilitage alati tasakaal.** Nii saate elektrilist tööriista ootamatutes olukordades paremini kontrollida.
- ▶ **Kandke sobivat rõivastust. Ärge kandke laiu riideid ega ehteid! Hoidke juuksed, rõivad ja kindad seadme liikuvatest osadest eemal.** Lotendavad riided, ehted ja pikad juuksed võivad sattuda seadme liikuvate osade vahele.
- ▶ **Kui elektrilise tööriista külge on võimalik paigaldada tolmuemaldus- ja kogumiseadiseid, veenduge, et need on tööriistaga ühendatud ja et neid kasutatakse nõuetekohaselt.** Tolmuemaldus-seadise kasutamine võib vähendada tolmust tingitud ohte.
- ▶ **Ärge laske tekkida petlikul turvatundel ega eirake elektrilise tööriista ohutusreegleid isegi siis, kui olete pärast paljukordset kasutamist elektrilise tööriistaga harjunud.** Tähelepanematu käsitsemine võib sekundi mürdosa jooksul kaasa tuua raskeid vigastusi.

Elektrilise tööriista kasutamine ja käsitsemine

- ▶ **Ärge koormake seadet üle! Kasutage konkreetseks tööks sobivat elektrilist tööriista.** See töötab ettenähtud jõudluspiirides tõhusamalt ja ohutumalt.
- ▶ **Ärge kasutage elektrilist tööriista, mille lüliti on rikkis!** Elektriline tööriist, mida ei saa enam lülitist korralikult sisse ja välja lülitada, on ohtlik ning tuleb viia parandusse.
- ▶ **Tõmmake enne seadme mis tahes seadetöid, tarvikute vahetamist ja seadme hoieülevaetust pistik pistikupesast välja ja/või eemaldage äravõetav aku.** See ettevaatusabinõu hoiab ära seadme soovimatu käivitumise.
- ▶ **Kasutusvälisel ajal hoidke elektrilist tööriista lastele kättesaamatus kohas. Ärge laske seadet kasutada isikutel, kes seadme tööpõhimõtet ei tunne või ei ole lugenud käesolevaid kasutusjuhendeid.** Asjatundmatute isikute käes on elektrilised tööriistad ohtlikud.
- ▶ **Hooldage elektrilisi tööriista ja tarvikuid korralikult. Kontrollige, kas liikuvad osad töötavad veatult ega kiilu kiini. Veenduge, et seadme osad ei ole murdunud või kahjustatud määral, mis mõjutab seadme töökindlust. Laske kahjustatud osad enne seadme kasutamist parandada.** Ebapiisavalt hooldatud elektrilised tööriistad põhjustavad õnnetusi.
- ▶ **Hoidke lõiketarvikud teravad ja puhtad.** Hästi hooldatud, teravad lõikeservadega lõiketarvikud kiiluvad harvemini kinni ja neid on lihtsam juhtida.
- ▶ **Kasutage elektrilist tööriista, tarvikuid ja lisatarvikuid vastavalt nende juhiste. Arvestage seejuures töötingimuste ja tehtava töö iseloomuga.** Elektrilise tööriista kasutamine otstarbel, milleks see ei ole ette nähtud, võib põhjustada ohtlikke olukordi.
- ▶ **Käepidemed ja haardepinnad peavad olema kuivad, puhtad ning vabad õlist ja rasvast.** Libedad käepidemed ja haardepinnad ei võimalda elektrilist tööriista ootamatutes olukordades kindlalt käsitseada ega kontrollida.

Hooldus

- ▶ **Laske elektrilist tööriista parandada ainult kvalifitseeritud spetsialistidel, kes kasutavad originaalvaruosi.** Nii on tagatud elektrilise tööriista ohutu töö.

2.2 Ohutusnõuded kõikide saagide kasutamisel

Saagimismeetod

- ▶ **⚠ OHT: Ärge viige oma käsi saagimispiirkonda ega vastu saeketast! Hoidke teise käega lisakäepidemest või mootorikorpusest.** Kui hoiate saagi kahe käega, ei saa saeketas teie käsi vigastada.



- ▶ **Ärge viige käsi tooriku alla!** Tooriku all ei saa kettakaitse teid saeketta eest kaitsta.
- ▶ **Valige tooriku paksusega sobiv lõikesügavus.** Tooriku alt tohib saeketast nähtavale jääda max ühe täishamba ulatuses.
- ▶ **Ärge kunagi hoidke saetavat toorikut käes ega põlve peal! Kinnitage toorik stabiilsele aluspinnale.** Tooriku tugev kinnitamine on oluline, et vähendada kehaga kokkupuute, saeketta kinnikiilumise ja seadme üle kontrolli kaotuse ohtu.
- ▶ **Kui teete töid, mille puhul võib tarvik tabada varjatud elektrijuhtmeid või seadme enda toitejuhet, hoidke seadet ainult isoleeritud käepidemest.** Kontakt pingele all oleva elektrijuhtmega pingestab ka seadme metallosad ja tekitab elektrilöögi.
- ▶ **Kasutage pikilõigete tegemisel alati juhikut või sirget liistu.** See parandab lõiketäpsust ja vähendab saeketta kinnikiilumisohtu.
- ▶ **Kasutage alati õige suuruse ja sobiva (nt tähkukujulise või ümara) siseavaga saekettaid.** Sae osadega sobimatud saekettad pöörlevad ebaühtlaselt ja põhjustavad kontrolli kaotuse seadme üle.
- ▶ **Ärge kunagi kasutage kahjustatud või valesid saeketta alusseibe ega kruvisid!** Saeketta alusseibid ja kruvid on välja töötatud spetsiaalselt sae optimaalse võimsuse ja ohutuse tagamiseks.

Tagasilöökk – põhjused ja asjaomased ohutusnõuded

- Tagasilöökk on kinnikiilunud või valesti seatud saekettast tingitud järsk reaktsioon, mispeale saag hüppab toorikust kontrollimatult välja ja liigub kasutaja suunas;
- kui saeketas jääb sulgvasse lõikejälje kinni, kiilub saeketas kinni ja mootori jõud paiskab sae kasutaja suunas;
- kui saeketas on lõikejäljes valesti välja rihitud, võivad saeketta tagumise serva hambad tooriku pinda kinni jääda, mispeale saeketas hüppab lõikejäljest välja ja saag paiskub kasutaja suunas.

Tagasilöökk on sae vale kasutamise tagajärg. Seda saab ära hoida, kui rakendada järgnevalt kirjeldatud sobivaid ettevaatusabinõusid.

- ▶ **Hoidke saagi alati kahe käega ja viige oma käed asendisse, milles saate tagasilöögile kõige paremini reageerida. Paiknege alati saeketta kõrval. Ärge olge kunagi saekettaga ühel joonel!** Tagasilöögi korral võib ketassaag tahapoole paiskuda. Sobivate meetmete rakendamisega suudab seadme kasutaja tagasilöögiõudude siiski valitseda.
- ▶ **Kui saeketas kinni kiilub või kui te töö katkestate, lülitage saag välja ja hoidke seda paigal, kui saeketas on täielikult seiskunud. Ärge kunagi püüdke saagi toorikust eemaldada või tagasi tõmmata, kui saeketas veel pöörleb – võib tekkida tagasilöökk!** Tehke kindlaks ja kõrvaldage saeketta kinnikiilumise põhjus.
- ▶ **Kui tahate saagi, mille saeketas on toorikus, uuesti käivitada, tsentreerige saeketas lõikejäljes ja veenduge, et saehambad ei ole toorikusse haakunud.** Sae käivitamisel võib kinnikiilunud saeketas toorikust välja hüpata või tagasilöögi põhjustada.
- ▶ **Toestage suured plaadid, et vältida kinnikiilunud saekettast põhjustatud tagasilöögiohtu.** Suured plaadid võivad omaenda kaalu mõjul läbi painduda. Plaadid tuleb toetada mõlemalt poolt, nii lõikejälje juurest kui ka servast.
- ▶ **Ärge kasutage nürisid ega kahjustatud saekettaid!** Nüride või valesti rihitud hammastega saekettad tekitavad liiga kitsa lõikejälje, mis põhjustab suuremat hõõrdumist, saeketta kinnikiilumist ja tagasilööki.
- ▶ **Pingutage enne saagimist kinni lõikesügavuse ja lõikenurga regulaatorid.** Kui seaded saagimise ajal muutuvad, võib saeketas kinni kiiluda ja tekitada tagasilöögi.
- ▶ **Eriti ettevaatlik tuleb olla lõigete tegemisel seina või teistesse varjatud piirkondadesse.** Uputatav saeketas võib varjatud objektidesse kinni kiiluda ja põhjustada tagasilöögi.

Alumise kettakaitse ülesanne

- ▶ **Kontrollige enne kasutamist alati, kas alumine kettakaitse sulgub korralikult. Ärge kasutage saagi, kui alumine kettakaitse ei liigu vabalt ega sulgu korralikult! Ärge kunagi fikseerige ega siduge alumist kettakaitset kinni avatud asendis!** Kui saag kogemata maha kukub, võib alumine kettakaitse kõverduda. Avage kettakaitse tagasitõmbehoova abil ja veenduge, et see liigub vabalt ega puuduta mis tahes lõikenurga ja -sügavuse juures saekettast ja teisi osi.
- ▶ **Kontrollige alumise kettakaitse vedru toimivust. Kui alumine kettakaitse ja vedru ei tööta veatult, laske saagi enne kasutuselevõttu hooldada.** Kahjustatud detailide, külgekleepunud mustuse ja saepuru tõttu töötab alumine kettakaitse aeglasemalt.
- ▶ **Avage alumine kettakaitse käega ainult erilõigete (nt uputus- ja nurgalõigete) puhul. Avage alumine kettakaitse tagasitõmbehoova abil ja vabastage see kohe, kui saeketas on tunginud toorikusse.** Kõikide teiste saagimistööde puhul peab alumine kettakaitse töötama automaatselt.
- ▶ **Ärge asetage saagi tööpingile ega põrandale, kui alumine kettakaitse saeketast ei kata.** Järelepöörlev katmata saeketas viib sae lõikesuunale vastupidises suunas ja lõikab kõike, mis teele ette jääb. Pöörake tähelepanu sae järelepöörlemisajale.

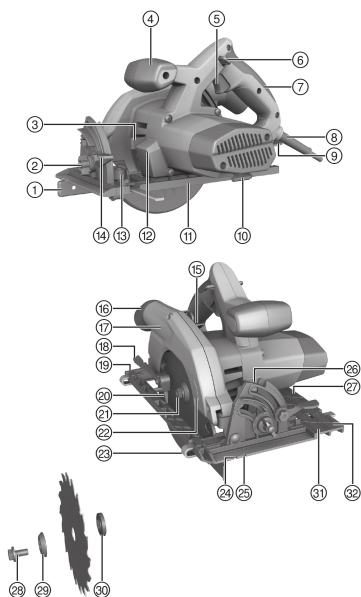


2.3 Täiendavad ohutusnõuded ketassaagide kasutamisel

- ▶ Viige käsiketassaag vastu toorikut üksnes siis, kui see on sisse lülitatud.
 - ↳ Lõikejoon peab pealt ja alt olema vaba takistustest. Saagimisel vältige kokkupuudet kruvide, naelte ja muude sarnaste esemetega.
- ▶ Ärge töötage ketassaaga pea kohal.
- ▶ Ärge pidurdage saeketast, avaldades sellele külgsurvet.
- ▶ Vältige saehammaste otste ülekuumenemist.
- ▶ Plasti saagimisel tuleb vältida plasti sulamist.
- ▶ Kasutage lõigatava pinna jaoks sobivat saeketast.
- ▶ Kasutage üksnes Hilti soovitatud saekettaid, mis vastavad standardile EN 847-1.

3 Kirjeldus

3.1 Toote ülevaade 1



- ① Ühehaaraline paralleeljuhk
- ② Lõikenurga regulaator
- ③ Spindilukustusnupp
- ④ Lisakäepide
- ⑤ Toitelüliti
- ⑥ Sisselülitustõkis
- ⑦ Käepide
- ⑧ Toitejuhe
- ⑨ Lukustushoob lõikesügavuse reguleerimiseks
- ⑩ Sisekuuskantvõti
- ⑪ Väike alustald
- ⑫ LED-tuli
- ⑬ Paralleeljuhiku lukustushoob ees
- ⑭ Lukustushoob lõikenurga reguleerimiseks
- ⑮ Lõikesügavuse skaala
- ⑯ Liitmik (tolmuimeja)
- ⑰ Kettakaitse
- ⑱ Pendelkettakaitse juhthoob
- ⑲ Paralleeljuhiku lukustushoob taga (ainult suu-
rele alustallale)
- ⑳ Pendelkettakaitse
- ㉑ Ajamispindel
- ㉒ Pöörlemissuuna nool
- ㉓ Kahehaaraline paralleeljuhk
- ㉔ Lõikemärgis 0°
- ㉕ Lõikemärgis 45°
- ㉖ Lõikenurga skaala
- ㉗ Suur alustald
- ㉘ Pingutuskrugi
- ㉙ Kinnitusflants
- ㉚ Alusflants
- ㉛ Soonemärgis 0° alustald
- ㉜ Soonemärgis 1° - 50° alustald

3.2 Ülevaade Juhtsiiniadapter 2

- | | | | |
|----|--------------------|----|----------------------|
| ③③ | Tagumised kandurid | ③⑤ | Soonemärgis 0° |
| ③④ | Eesmine kandur | ③⑥ | Soonemärgis 1° - 50° |



3.3 Sihipärane kasutamine

Kirjeldatud toode on ketassaag. See on ette nähtud puidu ja puidusarnaste materjalide, plastmaterjalide, kipskartongi, kipsplaatide ja liitmaterjalide saagimiseks lõikesügavusel kuni 55 mm, samuti eeringilõigete tegemiseks kuni 50° nurga all.

3.3.1 Võimalik väärkasutus

Kasutada ei tohi saekettaid, mis ei vasta tehnilistes andmetes toodud andmetele, samuti lõikekettaid, lihvkettaid ning kõrgelegeritud kiirlõiketerasest (HSS-terasest) saekettaid. Metallide saagimine on keelatud.

3.4 Tarnekomplekt

Ketassaag, saeketas, sisekuuskantvõti, paralleelrakis, kasutusjuhend.



Ohutu töö tagamiseks kasutage ainult originaalvaruosi ja -materjale. Meie poolt heakskiidetud varuosad, materjalid ja lisatarvikud oma tootele leiate kauplusest **Hilti Store** või veebisaidilt: www.hilti.group

4 Tehnilised andmed

4.1 Tehnilised andmed



Andmed nimipinge, nimivoolu, sageduse ja nimivõimsuse kohta leiate kasutusriigile vastavalt andmesildilt.

Generaatori või transformaatori kasutamisel peab selle väljundvõimsus olema vähemalt kaks korda suurem kui seadme andmeplaadile märgitud nimivõimsus. Transformaatori või generaatori tööpinge peab olema kogu aeg vahemikus + 5% ja - 15% seadme nimipingest.

Kaal, väike alustald	4,5 kg
Kaal, suur alustald	4,7 kg
Saeketta läbimõõt	160 mm ... 165 mm
Saeketta paksus	1,1 mm ... 1,5 mm
Saeketta siseava läbimõõt	20 mm
Lõikesügavus 0° juures	0 mm ... 55 mm
Lõikesügavus 45° juures	0 mm ... 41 mm
Lõikesügavus 50° juures	0 mm ... 37 mm
Tühikäigupöörded	5 500 p/min

4.2 Andmed müra ja vibratsiooni kohta vastavalt standardile EN 62841

Käesolevas juhendis märgitud helirõhu- ja vibratsioonitase on mõõdetud standarditud mõõtemeetodil ja seda saab kasutada elektriliste tööriistade omavaheliseks võrdlemiseks. See sobib ka vibratsiooni- ja mürataseme esialgseks hindamiseks.

Toodud näitajad iseloomustavad elektrilise tööriista põhilisi ettenähtud töid. Kui aga elektrilist tööriista kasutatakse muul otstarbel, teiste tarvikutega või kui tööriista on ebapiisavalt hooldatud, võivad näitajad käesolevas juhendis toodud näitajatest kõrvale kalduda. See võib vibratsiooni- ja mürataset töötamise koguperioodil tunduvalt suurendada.

Ekspositsiooni täpseks hindamiseks tuleb arvesse võtta ka aega, mil seade oli välja lülitatud või küll sisse lülitatud, kuid tegelikult tööle rakendamata. See võib vibratsiooni- ja mürataset töö koguperioodi lõikes tunduvalt vähendada.

Kasutaja kaitseks müra ja/või vibratsiooni eest võtke tarvitusele täiendavaid kaitsemeetmeid, näiteks: hoidage elektrilist tööriista ja tarvikuid korralikult, hoidke käed soojad, tagage sujuv töökorraldus.

Teave müra kohta

Helivõimsustase (L_{WA})	101 dB(A)
Helirõhutase (L_{pA})	90 dB(A)
Mõõtemääramatus	3 dB(A)



Teave vibratsiooni kohta

	230 V	110 V
Vibratsioonitase kolmel teljel puidu saagimisel (a_n)	1,77 m/s ² (5,81 ft/s ²)	2,12 m/s ² (6,96 ft/s ²)
Möötemääramatus (K)	1,5 m/s ²	1,5 m/s ²

5 Käsitsemine

5.1 Saeketta eemaldamine 3

HOIATUS

Põletuse oht Kuum tööriist, kinnitusflants või pingutuskrugi ja saeketta teravad servad on ohtlikud.

- ▶ Tarviku vahetamisel kandke kaitsekindaid.

1. Tõmmake seadme võrgupistik pistikupesast välja.
2. Asetage sisekuuskantvõti saeketta kinnituskrugi peale.
3. Vajutage spindlilukustusnupp alla ja hoidke seda all.
4. Keerake sisekuuskantvõtmega saeketta pingutuskrugi seni, kuni lukustusnupp täielikult kinni fikseerub.
5. Vabastage pingutuskrugi, keerates sisekuuskantvõtit edasi pöörlemissuuna noole suunas.
6. Võtke pingutuskrugi ja välimine kinnitusflants maha.
7. Tõmmake pendelkettakaitse eemale ja võtke saeketas maha.



Vajaduse korral võib alusflantsi puhastamiseks eemaldada.

5.2 Saeketta paigaldamine 4

ETTEVAATUST

Vigastuste oht Ebasobivad või valesti paigaldatud saekettad võivad saagi kahjustada.

- ▶ Kasutage üksnes selliseid saekettaid, mis selle sae jaoks sobivad. Pöörake tähelepanu saeketall olevale pöörlemissuuna noolele.
- ▶ Kasutage üksnes selliseid saekettaid, mille pöörete arv on vähemalt sama suur nagu tootel märgitud maksimaalpöörded.

1. Tõmmake seadme võrgupistik pistikupesast välja.
2. Puhastage alus- ja kinnitusflants.
3. Asetage õiges asendis kohale välimine alusflants.
4. Avage pendelkettakaitse.
5. Paigaldage uus saeketas.
6. Asetage õiges asendis kohale välimine kinnitusflants.
7. Asetage kohale pingutuskrugi.
8. Asetage sisekuuskantvõti saeketta pingutuskruvile.
9. Kinnitage kinnitusflants pingutuskruviga, keerates päripäeva. Hoidke seejuures ühe käega spindlilukustusnupp alla vajutatud.
10. Enne töölerakendamist kontrollige saeketta kindlat kinnitumist.

5.3 Lõikesügavuse reguleerimine 5

1. Tõmmake seadme võrgupistik pistikupesast välja.
2. Vabastage lõikesügavuse reguleerimise lukustushoob.
3. Tõstke ketassaag käärikujulise liigutusega üles ja reguleerige välja lõikesügavus.
 - ▶ Lõikesügavust kuvatakse lõikesügavuse skaalal.



Puhta lõikeserva tagamiseks peab lõikesügavus võrduma materjali paksusega pluss 2 mm.

4. Fikseerige lõikesügavuse regulaatori lukustushoob.



5.4 Lõikenurga reguleerimine

1. Tõmmake seadme võrgupistik pistikupesast välja.
2. Vabastage lõikesügavuse reguleerimise lukustushoob.
3. Keerake alustald soovitud lõikenurga alla.
 - ↳ Lõikenurka kuvatakse lõikenurga skaalal.
4. Pingutage lõikesügavuse reguleerimise lukustushoob kinni.

5.5 Kontuurinäidik

Ketassae eesmisel alustallal asub nii sirglõigete kui ka kaldlõigete tegemiseks kontuurinäidik (0° ja 45°). See tagab olenevalt valitud lõikenurgast täpse lõike. Kontuuri serv vastab saeketta siseküljele. Kontuurinäidik asub saeketta jaoks ettenähtud eesmise ava juures.

5.5.1 Saagimine kontuuri järgi



Kinnitage toorik nii, et see ei nihku paigast.

Asetage toorik nii, et saeketas tooriku all vabalt liigub.

Veenduge, et seade on lülitist (sisse/välja) välja lülitatud.

Asetage ketassaag alustallaga toorikule nii, et saeketas ei puutu veel toorikuga kokku.

1. Lülitage ketassaag sisse.
2. Viige ketassaag sobiva kiirusega piki kontuuri läbi tooriku.

5.6 Saagimine paralleelrakisega

Ühehaaraline paralleelrakis võimaldab teha täpseid lõikeid piki tooriku serva ja lõigata ühesuguste mõõtudega liiste. Paralleelrakist võib kinnitada alustalla mõlemale küljele.

Kahehaaralist paralleeljuhikut saab kasutada ainult suure alustallaga.

Veenduge, et paigaldate paralleeljuhiku õiges suunas.

5.7 Saagimine juhtsiiniga.

Juhtsiini kasutamine võib vähendada tagasilöögi ohtu.

5.7.1 Ketassae asetamine juhtsiinadapterisse / juhtsiinadapterist eemaldamine



Väikese alustallaga saagimisel kasutage juhtsiiniga sobivat juhtsiinadapterit.

1. Eemaldage paralleelrakis, kui see on paigaldatud.
2. Viige alustald juhtsiinadapteri tagumistesse kanduritesse.
3. Asetage alustald ees täielikult juhtsiinadapterisse. Alustald peab eesmisel kanduris täielikult kohale fikseeruma.
4. Väljavõtmiseks tõmmake tagumist kandurit kergelt taha ja võtke ketassaag juhtsiinadapterist välja.

5.7.2 Pikilõiked 0° juures

- ▶ Asetage ketassaag soonemärgise "0°" juhtsiini kandurile.

5.7.3 Pikilõiked kuni 50° nurga all



ETTEVAATUST

Vigastuste oht Sae asetamisel valesse soonde tekib saeketta ja juhtsiini kokkupuude.

- ▶ Asetage saag õigesse soonde.

- ▶ Asetage saag soonemärgisega "1°-50°" juhtsiini kandurile.

5.7.4 Saagimine juhtsiiniga

1. Kinnitage juhtsiin altpoolt tugevasti kahe pitskruviga.



2. Seadke ketassaag juhtsiini piirkonnas üles. Pikilõigete tegemiseks lõikenurga 20° - 50° all avage kettakaitse manuaalselt.



Ketassaag tuleb juhtsiinil asetada tooriku taha. Veenduge, et saeketas ei puutu toorikuga kokku.

3. Lülitage ketassaag sisse.
4. Lükake ketassaagi ühtlaselt üle tooriku.
- Pendelkettakaitse avaneb, kui lõikenurk on väiksem kui 20°, kokkupuutel külgservaga.
 - Juhtsiini otsa juurest väljalikumisel sulgub see uuesti.

5.8 Saagimine laastueemaldusega ja ilma laastueemalduseta

Käsiketassael on liitmik, mille külge saab ühendada standardseid 27 mm läbimõõduga imivoolikuid. Imivooliku ühendamiseks ketassaaga võite vajada sobivat adapterit.

Võimaluse korral kasutage alati konkreetseks tööks sobivat mobiilset tolmuimejat, mis on ette nähtud puidu ja mineraalsete materjalide imemiseks.

Kui töotate ilma laastueemalduseta, reguleerige väljaviske suund selliseks, et laastud juhitakse teist eemale.



Kasutage filtriklassi P2 kuuluvat kaitsemaski ja tolmu koguse vähendamiseks tagage alati piisav ventilatsioon.

6 Hooldus ja korrashoid

6.1 Hooldus ja korrashoid



HOIATUS

Elektrilöögi oht! Seadme hooldamine ja remontimine toitevõrku ühendatud toitepistikuga võib põhjustada raskeid vigastusi ja põletusi.

- Toitepistik tuleb enne iga hooldus- ja remonttööd alati välja tõmmata!

Hooldus

- Eemaldage kõvasti kinni olev mustus ettevaatlikult.
- Puhastage ventilatsiooniavasid ettevaatlikult kuiva harjaga.
- Puhastage korpust kergelt niiske lapiga. Ärge kasutage silikooni sisaldavaid hooldusvahendeid, sest need võivad kahjustada seadme plastdetaile.

Korrashoid



HOIATUS

Elektrilöögi oht! Elektridetailide asjatundmatu parandamine võib kaasa tuua raskeid vigastusi ja põletusi.

- Elektridetailide tohivad parandada ainult elektriala asjatundjad.
- Kontrollige regulaarselt, kas kõik nähtavad osad on terved ja kas juhtelemendid toimivad veatult.
- Kahjustuste ja/või tõrgete korral ei tohi seadet kasutada. Laske tööriist kohe **Hilti** hooldekeskuses parandada.
- Pärast hooldus- ja korrashoiutöid paigaldage kõik kaitseeadised ja kontrollige nende toimivust.



Tööohutuse tagamiseks kasutage ainult originaalvaruosi ja -materjale. Teie tootega sobivaid ja meie poolt heakskiidetud varuosad, materjalid ja tarvikud leiate kauplusest **Hilti Store** või veebilehelt: www.hilti.group.

6.2 Seadme kontrollimine pärast hooldus- ja korrashoiutöid



Pärast hooldus- ja korrashoiuhooldustööde tegemist veenduge, et kõik kaitseeadised on paigaldatud ja et need toimivad veatult.

- Pendelkettakaitse kontrollimiseks avage see täielikult, selleks vajutage juhthoovale.
 - Pärast juhthoova vabastamist peab pendelkettakaitse kiiresti ja täielikult sulguma.



6.3 Laastukanali puhastamine



Vajaduse korral tuleb saeketas puhastamise ajaks eemaldada.

1. Tõmmake seadme võrgupistik pistikupesast välja.
2. Eemaldage saeketas. → Lehekülj 62
3. Puhastage laastukanal.
4. Paigaldage saeketas. → Lehekülj 62
5. Kontrollige, kas seadme liikuvad detailid töötavad veatult ja ei kiilu kiini. Veenduge, et seadme detailid ei ole murdunud või kahjustatud määral, mis mõjutab seadme töökindlust.

6.4 Kaitseseadise puhastamine

1. Eemaldage saeketas. → Lehekülj 62
2. Puhastage kaitseseadist ettevaatlikult kuiva harjaga.
3. Eemaldage kaitseseadises olev mustus ja tolm sobiva tööriista abil.
4. Paigaldage saeketas. → Lehekülj 62

7 Veotsing

Tõrge	Võimalik põhjus	Lahendus
Seade ei tööta täisvõimsusel.	Pikendusjuhe on liiga pikk ja/või liiga väikese ristlõikega.	► Kasutage ettenähtud pikkuse ja/või piisava ristlõikega pikendusjuhet.
	Liiga madal voolupinge.	► Ühendage seade mõne teise vooluringiga.
Seade ei tööta.	Vooluvarustus on katkenud.	► Ühendage vooluvõrguga mõni teine elektriline tööriist ja kontrollige, kas see töötab.
	Toitejuhe või pistik on katki.	► Laske toitejuhet või pistikut elektrikul kontrollida ja vajaduse korral Hilti hooldekeskuses välja vahetada.
	Sisse-välja-lüliti on vigane.	► Laske seade Hilti hooldekeskuses parandada.
	Grafiitharjad on kulunud.	► Laske seade Hilti hooldekeskuses parandada.
Imemisvõimsus puudub või on vähenenud.	Laastukanal on ummistunud.	► Puhastage laastukanal. → Lehekülj 65
Pendelkettakaitse ei sulgu.	Kaitseseadis on ummistunud.	► Puhastage kaitseseadis. → Lehekülj 65
Seade vibreerib tugevamini kui harilikult.	Saeketas on valesti paigaldatud.	► Eemaldage saeketas ja paigaldage see korrektselt.

8 Utiliseerimine

Hilti seadmed on suures osas valmistatud taaskasutatavatest materjalidest. Taaskasutuse eelduseks on materjalide korralik sorteerimine. Paljudes riikides kogub **Hilti** kasutusressursi ammendanud seadmed kokku. Lisateavet saate **Hilti** müügiesindusest.



- Ärge visake kasutusressursi ammendanud elektrilisi tööriistu, elektroonikaseadmeid ja akusid olmejäätmete hulka!

9 RoHS (direktiiv ohtlike ainete kasutamise piirangute kohta)

Järgmiselt lingilt leiate ohtlike ainete tabeli: qr.hilti.com/r2937786.



RoHS-tabeli juurde viiva lingi leiate käesoleva dokumendi lõpust QR-koodina.

10 Tootja garantii

- ▶ Kui Teil on küsimusi garantiitingimuste kohta, pöörduge **Hilti** müügiesindusse.



1 Informācija par dokumentāciju

1.1 Par šo dokumentāciju

- Pirms ekspluatācijas sākšanas obligāti izlasiet šo dokumentāciju. Tas ir priekšnoteikums darba drošībai un izstrādājuma lietošanai bez traucējumiem.
- Ievērojiet drošības norādījumus un brīdinājumus, kas atrodami šajā dokumentācijā un uz izstrādājuma.
- Vienmēr glabājiet lietošanas instrukciju izstrādājuma tuvumā un nododiet to kopā ar izstrādājumu, ja tas tiek nodots citām personām.

1.2 Apzīmējumu skaidrojums

1.2.1 Brīdinājumi

Brīdinājumi pievērš uzmanību bīstamībai, kas pastāv, strādājot ar izstrādājumu. Tiek lietoti šādi signālvārdi:



BĪSTAMI!

BĪSTAMI! !

- ▶ Pievērš uzmanību draudošām briesmām, kas var izraisīt smagas miesas bojājumus vai nāvi.



BRĪDINĀJUMS!

BRĪDINĀJUMS! !

- ▶ Pievērš uzmanību iespējamam apdraudējumam, kas var izraisīt smagas traumas vai pat nāvi.



IEVĒROT PIESARDZĪBU!

UZMANĪBU! !

- ▶ Norāda uz iespējami bīstamām situācijām, kas var izraisīt vieglas traumas vai materiālos zaudējumus.

1.2.2 Dokumentācijā lietotie simboli

Šajā dokumentācijā tiek lietoti šādi simboli:



Pirms lietošanas izlasiet instrukciju



Norādījumi par lietošanu un cita noderīga informācija



Rīcība ar otrreiz pārstrādājamiem materiāliem



Neizmetiet elektroiekārtas un akumulatorus sadzīves atkritumos.

1.2.3 Attēlos lietotie simboli

Attēlos tiek lietoti šādi simboli:



Šis skaitļi norāda uz attiecīgajiem attēliem, kas atrodami šīs instrukcijas sākumā.



Numerācija attēlos atbilst veicamo darbību secībai un var atšķirties no darbību apraksta tekstā.



Pozīciju numuri tiek lietoti attēlā **Pārskats** un norāda uz leģendas numuriem sadaļā **Izstrādājuma pārskats**.



Šī simbola uzdevums ir pievērst īpašu uzmanību izstrādājuma lietošanas laikā.

1.3 Simboli atkarībā no izstrādājuma

1.3.1 Simboli uz izstrādājuma

Uz izstrādājuma var tikt lietoti šādi simboli:



Bezvadu datu pārnese



n_0	Nominālais apgriezīnu skaits tukšgaitā
	Aizsardzības klase II (divkārša izolācija)
	Zāga ripa

1.4 Izstrādājuma informācija

HILTI izstrādājumi ir paredzēti profesionāliem lietotājiem, un to darbināšanu, apkopi un tehniskā stāvokļa uzturēšanu drīkst veikt tikai kvalificēts, atbilstīgi apmācīts personāls. Personālam ir jābūt labi informētam par iespējamajiem riskiem, kas var rasties darba laikā. Izstrādājums un tā papildaprīkojums var radīt bīstamas situācijas, ja to uztic neprofesionālam personālam vai nelieto atbilstīgi nosacījumiem. Iekārtas tipa apzīmējums un sērijas numurs ir norādīti uz identifikācijas datu plāksnītes.

- ▶ Ierakstiet sērijas numuru zemāk redzamajā tabulā. Izstrādājuma dati jānorāda, vērsoties mūsu pārstāvēniecībā vai servisā.

Izstrādājuma dati

Ripzāģis	SC 55W
Paaudze	01
Sērijas Nr.	

1.5 Atbilstības deklarācija

Uzņemoties pilnu atbildību, mēs apliecinām, ka šeit aprakstītais izstrādājums atbilst šādām direktīvām un standartiem: Atbilstības deklarācijas attēls ir atrodams šīs dokumentācijas beigās.

Tehnisko dokumentāciju glabā:

Hilti Entwicklungsgesellschaft mbH | Zulassung Geräte | Hiltistraße 6 | 86916 Kaufering, DE

2 Drošība

2.1 Vispārīgi drošības norādījumi par darbu ar elektroiekārtām

⚠ BRĪDINĀJUMS! Iepazīstieties ar visiem drošības norādījumiem, instrukcijām, attēliem un tehniskajiem parametriem, kas attiecas uz šo elektroiekārtu. Turpmāk izklāstīto instrukciju neievērošana var izraisīt elektrošoku, ugunsgrēku un/vai nopietnas traumas.

Saglabājiet visus drošības norādījumus un instrukcijas turpmākai lietošanai.

Drošības norādījumos lietotais apzīmējums "elektroiekārta" attiecas uz iekārtām ar tīkla barošanu (ar barošanas kabeli) vai iekārtām ar barošanu no akumulatora (bez kabeļa).

Drošība darba vietā

- ▶ **Uzturiet darba vietā tīrību un kārtību un nodrošiniet labu apgaismojumu.** Nekārtīgā darba vietā vai sliktā apgaismojumā var viegli notikt nelaimes gadījums.
- ▶ **Nestrādājiet ar elektroiekārtu sprādzienbīstamā vidē, kur atrodas uzliesmojoši šķidrumi, gāzes vai putekļi.** Darbības laikā elektroiekārtas mēdz dzirkstēlot, un tas var izraisīt viegli uzliesmojošu putekļu vai tvaiku aizdegšanos.
- ▶ **Lietojot elektroiekārtu, neļaujiet nepiederošām personām un jo īpaši bērniem tuvoties darba vietai.** Citu personu klātbūtne var novērst uzmanību, un tā rezultātā jūs varat zaudēt kontroli pār iekārtu.

Elektrodrošība

- ▶ **Elektroiekārtas kontaktdakšai jāatbilst elektrotīkla kontaktligzdai. Kontaktdakšas konstrukciju nedrīkst nekādā veidā mainīt. Kopā ar elektroiekārtām, kurām ir aizsargzemējums, nedrīkst lietot adapteru spraudņus.** Neizmainītas konstrukcijas kontaktdakša, kas atbilst kontaktligzdai, ļauj samazināt elektrošoka risku.
- ▶ **Darba laikā nepieskarieties saņemtiem priekšmetiem, piemēram, caurulēm, radiatoriem, plītiem vai ledusskapjiem.** Pieskaroties saņemtiem virsmām, pieaug risks saņemt elektrisko triecienu.
- ▶ **Nelietojiet elektroiekārtu lietus laikā, neturiet to mitrumā.** Mitrumam iekļūstot elektroiekārtā, pieaug risks saņemt elektrisko triecienu.
- ▶ **Nenesiet un nepakariniet elektroiekārtu aiz barošanas kabeļa un neraujiet aiz kabeļa, ja vēlaties atvienot iekārtu no elektrotīkla kontaktligzdas. Sargājiet barošanas kabeli no karstuma, eļļas, asām šķautnēm vai kustīgām detaļām.** Bojāts vai sapīņķerējis barošanas kabelis var kļūt par cēloni elektrošokam.



- ▶ **Darbinot elektroiekārtu ārpus telpām, izmantojiet tās pievienošanai vienīgi tādus pagarinātāja-kabeļus, kas ir paredzēti lietošanai brīvā dabā.** Lietojot elektrokabeļi, kas ir piemērots darbam ārpus telpām, samazinās elektrošoka risks.
- ▶ **Ja elektroiekārtas izmantošana slāpā vidē ir obligāti nepieciešama, lietojiet bojājumstrāvas aizsargslēdzi.** Bojājumstrāvas aizsargslēdža lietošana samazina elektrošoka risku.

Personiskā drošība

- ▶ **Strādājiet ar elektroiekārtu uzmanīgi, darba laikā saglabājiet paškontroli un rīkojieties saskaņā ar veselo saprātu.** Ar elektroiekārtu nedrīkst strādāt personas, kas ir nogurušas vai atrodas narkotiku, alkohola vai medikamentu ietekmē. Mirklis neuzmanības, strādājot ar elektroiekārtu, var novest pie nopietnām traumām.
- ▶ **Izmantojiet individuālos aizsardzības līdzekļus un darba laikā vienmēr valkājiet aizsargbrilles.** Individuālo aizsardzības līdzekļu (putekļu aizsargmaskas, neslidošu apavu un aizsargķiveres vai ausu aizsargu) lietošana atbilstoši elektroiekārtas tipam un veicamā darba raksturam ļauj izvairīties no savainojumiem.
- ▶ **Nepieļaujiet iekārtas nekontrolētas ieslēgšanās iespēju.** Pirms pievienošanas elektrotīklam, akumulatora ievietošanas, elektroiekārtas satveršanas vai pārvietošanas pārliecinieties, ka tā ir izslēgta. Ja iekārtas pārvietošanas laikā pirksts atrodas uz slēdža vai ja ieslēgta iekārta tiek pievienota elektrotīklam, var notikt nelaimes gadījums.
- ▶ **Pirms elektroiekārtas ieslēgšanas jānoņem visi regulēšanas piederumi un uzgriežņu atslēgas.** Regulēšanas piederumi vai uzgriežņu atslēga, kas iekārtas ieslēgšanas brīdī atrodas iekārtā, var radīt traumas.
- ▶ **Izvairieties no nedabiskām pozām.** Darba laikā vienmēr saglabājiet līdzsvaru un nodrošinieties pret paslidēšanu. Tas atvieglo elektroiekārtas vadību neparedzētās situācijās.
- ▶ **Izvēlieties darbam piemērotu apģērbu.** Darba laikā nenēsājiet brīvi plandošas drēbes un rotaslietas. Netuviniet matus, apģērbu un aizsargcimdus iekārtas kustīgajām daļām. Vaļīgas drēbes, rotaslietas un gari mati var iekļerties iekārtas kustīgajās daļās.
- ▶ **Ja elektroiekārtas konstrukcija ļauj pievienot putekļu nosūknšanas vai savākšanas ierīci, sekojiet, lai tā būtu pievienota un tiktu darbināta pareizi.** Putekļu nosūcēja lietošana samazina putekļu kaitīgo ietekmi.
- ▶ **Nezaudējiet modrību un neatkāpieties no elektroiekārtu lietošanas drošības noteikumu ievērošanas ari tad, ja lietojat attiecīgo elektroiekārtu bieži un kārtīgi to pārzināt.** Neuzmanība vienā sekundes daļā var novest pie smagām traumām.

Elektroiekārtas lietošana un apkope

- ▶ **Nepārslodojiet elektroiekārtu.** Katram darbam izvēlieties piemērotu iekārtu. Elektroiekārta darbosies labāk un drošāk pie nominālās slodzes.
- ▶ **Nelietojiet elektroiekārtu, ja ir bojāts tās slēdzis.** Elektroiekārta, ko nevar ieslēgt un izslēgt, ir bīstama un nekavējoties jānodod remontā.
- ▶ **Pirms iestatījumu veikšanas, aprikojuma daļu nomaiņas vai iekārtas novietošanas uzglabāšanā atvienojiet kontaktdakšu no elektrotīkla un/vai noņemiet noņemamo akumulatoru.** Šādi jūs novērsīsiet elektroiekārtas nejaušas ieslēgšanās risku.
- ▶ **Elektroiekārtu, kas netiek darbināta, uzglabājiet piemērotā vietā.** Neļaujiet lietot iekārtu personām, kas nav iepazīnušas ar tās funkcijām un izlasījušas šo lietošanas instrukciju. Ja elektroiekārtu lieto nekompetentas personas, tas var apdraudēt cilvēku veselību.
- ▶ **Rūpīgi veiciet elektroiekārtu un to piederumu apkopi.** Pārbaudiet, vai kustīgās daļas darbojas bez traucējumiem un neķeras un vai kāda no daļām nav salauzta vai bojāta un tādējādi netraucē elektroiekārtas nevainojamu darbību. Raugieties, lai pirms iekārtas lietošanas tiktu nomainītas vai saremontētas bojātās daļas. Daudzi nelaimes gadījumi notiek tāpēc, ka elektroiekārtām nav nodrošināta pareiza apkope.
- ▶ **Griezējinstrumentiem vienmēr jābūt uzasinātiem un tīriem.** Rūpīgi kopiti griezējinstrumenti ar asām šķautnēm retāk iestrēgst un ir vieglāk vadāmi.
- ▶ **Lietojiet elektroiekārtu, piederumus, maināmos instrumentus utt. saskaņā ar šiem norādījumiem.** Jāņem vērā arī konkrētie darba apstākļi un veicamās operācijas īpatnības. Elektroiekārtu lietošana citiem mērķiem, nekā to ir paredzējusi ražotājfirma, ir bīstama un var izraisīt neparedzamas sekas.
- ▶ **Raugieties, lai rokturu un satveršanas virsmas būtu sausas, tīras, nenotraipītas ar eļļu un smērvielām.** Ja rokturu vai satveršanas virsmas ir slidenas, nav iespējama droša elektroiekārtas vadība un kontrole neparedzamās situācijās.

Service

- ▶ **Uzdodiet elektroiekārtas remontu veikt tikai kvalificētam personālam, kas izmanto vienīgi oriģinālās rezerves daļas.** Tikai tā ir iespējams saglabāt elektroiekārtas funkcionālo drošību.



2.2 Drošības norādījumi darbam ar visu veidu zāģiem

Zāģēšanas process

- ▶ **▲ BĪSTAMI!** Raugieties, lai jūsu rokas neatrastos zāģēšanas zonā vai zāģa ripas tiešā tuvumā. Ar otru roku turiet iekārtu aiz papildu roktura vai motora korpusa. Ja abas rokas ir satvērušas zāģi, tās ar zāģa asmeni nav iespējams savainot.
- ▶ Nesatveriet zāģējamo materiālu no apakšas. Aizsargs nepasargā no saskares ar zāģa asmeni apstrādājamā materiāla apakšpusē.
- ▶ Pieskaņojiet zāģējuma dziļumu apstrādājamā materiāla biezumam. Zem zāģējamā materiāla jābūt redzamam mazāk nekā vienam zobam pilnā augstumā.
- ▶ Nekādā gadījumā nemēģiniet pieturēt zāģējamo materiālu ar roku vai kāju. Nofiksējiet zāģējamo materiālu stabilā stiprinājumā. Ir svarīgi kārtīgi nostiprināt zāģējamo materiālu, lai līdz minimumam samazinātu risku, kas saistīts ar pieskaršanos zāģa ripai, ripas iestrēgšanu vai kontroles zudumu.
- ▶ Veicot darbus, kuru laikā pastāv risks, ka instruments var skart aplēptus elektriskos vadus vai iekārtas barošanas kabeli, vienmēr satveriet iekārtu tikai aiz izolētajām rokturu virsmām. Saskaroties ar sprieguma padevei pieslēgtiem vadiem, elektroiekārtas neizolētās metāla daļas nonāk zem sprieguma un var izraisīt elektrošoku.
- ▶ Garenvirziena zāģēšanai vienmēr lietojiet atduri vai taisnu malas vadotni. Tādējādi tiks palielināta zāģējuma precizitāte un samazināts instrumenta iestrēgšanas risks.
- ▶ Vienmēr lietojiet tikai atbilstīga izmēra zāģa ripas ar piemērotu stiprinājuma atveri (piemēram, zvaigznes formas vai apaļu). Zāģa ripas, kas nav paredzētas montāžai uz šī zāģa, rotē nevienmērīgi un var izraisīt kontroles zudumu.
- ▶ Nekādā gadījumā nedrīkst izmantot bojātas vai nepiemērotas zāģa ripas aplāksnes vai skrūves. Paplāksnes un skrūves ir konstruētas speciāli šim zāģim, lai nodrošinātu optimālu darba efektivitāti un drošību.

Atsitienu cēloņi un ar to saistītie drošības norādījumi

- Atsitiens ir negaidīta reakcija sakarā ar zāģa ripas aizķeršanos, iestrēgšanu vai nepareizu noregulējumu, kā rezultātā tiek zaudēta kontrole pār zāģi, tas izlec no zāģējamā materiāla un tiek pasists lietotāja virzienā;
- ja zāģa ripa iekeras vai iestrēgst zāģējuma rievā, tā nobloķējas un motora spēks pasit zāģi atpakaļ lietotāja virzienā;
- ja zāģa ripa zāģējuma rievā sagriežas vai ir nepareizi noregulēta, ripas aizmugurējās daļas zobi var iekerties zāģējamā materiāla virsmā, kā rezultātā zāģa ripa izlec no zāģējuma rievas un zāģis tiek pasists lietotāja virzienā.

Atsitiens ir nepareizas zāģa lietošanas sekas. No tā ir iespējams izvairīties, ievērojot turpmāk aprakstītos drošības pasākumus.

- ▶ Stingri turiet zāģi ar abām rokām un novietojiet rokas tā, lai varētu droši reaģēt uz atsitienu radītajiem spēkiem. Vienmēr nostāieties nedaudz uz sāniem no zāģa – tā, lai zāģa asmens neatrastos uz vienas līnijas ar jūsu ķermeni. Atsitienu gadījumā ripzāģis strauji pārvietosies atpakaļ, taču ar atbilstīgu piesardzības pasākumu palīdzību iekārtas lietotājs var kontrolēt atsitienu spēku.
- ▶ Ja zāģa ripa iestrēgst vai darbu nepieciešams pārtraukt citu iemeslu dēļ, izslēdziet zāģi, atstājiet to zāģējamajā materiālā un nogaidiet, līdz zāģa ripas kustība apstājas. Nekādā gadījumā nemēģiniet izvilkēt zāģi no materiāla vai pavilkāt atpakaļ, kamēr zāģa ripa atrodas kustībā, jo tas var izraisīt atsitienu. Atrodiet un novērsiet zāģa ripas iestrēgšanas cēloni.
- ▶ Ja vēlaties no jauna ieslēgt zāģi, kura asmens atrodas materiālā, nocentrējiet zāģa asmeni zāģējuma rievā un pārbaudiet, vai zāģa zobi nav iekērušies materiālā. Ja zāģa ripa ir iestrēgusi, tā zāģa ieslēgšanas brīdī var izlekt no materiāla vai izraisīt atsitienu.
- ▶ Lai novērstu risku, ka zāģa ripas iestrēgšana izraisīs atsitienu, liela izmēra plāksnes pirms apstrādāšanas kārtīgi jāatbalsta. Liela izmēra detaļas var izlikties pašas no sava svara. Plāksnes jāatbalsta abās pusēs – gan zāģējuma tuvumā, gan pie ārmaslas.
- ▶ Nedrīkst izmantot neasas vai bojātas zāģa ripas. Zāģa ripas ar neasiem vai nepareizi izlocītiem zobiem veido pārāk šauru zāģējuma rievu, kā rezultātā palielinās berze, kā arī zāģa ripas iestrēgšanas vai atsitienu risks.
- ▶ Pirms sākt zāģēšanu, pievelciet zāģējuma dziļuma un leņķa iestatīšanas atdures. Ja zāģēšanas laikā tiek mainīti iestatījumi, zāģa ripa var iestrēgt un radīt atsitienu.
- ▶ Ievērojiet īpašu piesardzību, veicot zāģējumus sienās un citās nepārredzamās vietās. Iegremdētās zāģa ripas pēkšņa sadursme ar sienā esošiem objektiem var izraisīt atsitienu.

Apakšējā drošības pārsega funkcijas

- ▶ Pirms katras lietošanas pārbaudiet, vai pārsegs aizveras nevainojami. Nelietojiet zāģi, ja apakšējais pārsegs nekustas brīvi un nekavējoties neaizveras. Nekādā gadījumā nemēģiniet nofiksēt vai atstiet



pārsegu atvērtā pozīcijā. Ja zāģis nejauši nokrīt zemē, pārsegs var deformēties. Ar atvilkšanas sviras palīdzību atveriet pārsegu un nodrošiniet, lai tas kustētos brīvi un ne pie kāda zāģējuma leņķa un dziļuma nesaskartos ar zāģa asmeni vai citām iekārtas daļām.

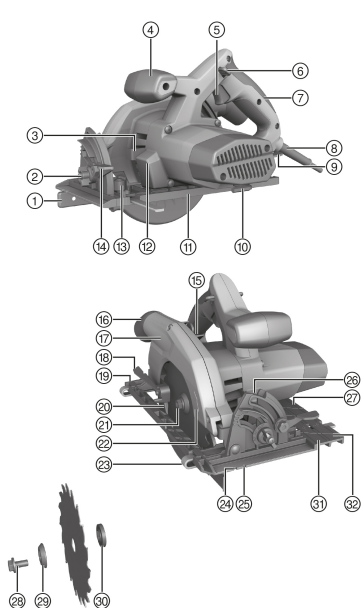
- ▶ **Pārbaudiet apakšējā pārsega atsperes funkcijas. Ja apakšējais pārsegs un atspere nefunkcionē nevainojami, pirms zāģa lietošanas lieciet tos izlabot.** Bojātas detaļas, lipīgu materiālu nogulsņumi vai skaidu sakrāšanās var aizkavēt apakšējā pārsega kustību.
- ▶ **Atveriet apakšējo pārsegu ar roku tikai tad, ja tiek veikti īpaši zāģēšanas darbi, piemēram, "iegremdētie un leņķa zāģējumi". Atveriet apakšējo pārsegu ar atvilkšanas sviru un atlaidiet to, līdzko zāģa asmens iegremdējas materiālā.** Visu pārējo zāģēšanas darbu laikā apakšējam pārsegam jādarbojas automātiski.
- ▶ **Nenovietojiet zāģi uz darba galda vai uz grīdas, ja apakšējais pārsegs nenosedz zāģa asmeni.** Nenosegta zāģa rīpa, atrazdamās inerces kustībā, var sazāģēt visu, kas gadīsies tās ceļā. Tādēļ atcerieties, ka nepieciešams zināms laiks, lai apstātos zāģa inerces rotācija.

2.3 Papildnorādījumi par drošību darbam ar ripzāģiem

- ▶ Virziet manuālo ripzāģi, spiežot to pie zāģējamā materiāla, tikai tad, kad ripzāģis ir ieslēgts.
 - ↳ Zāģējuma trajektorijā virs un zem zāģējuma vietas nedrīkst atrasties nekādi šķēršļi. Nemēģiniet pārzāģēt skrūves, naglas vai tamlīdzīgus objektus.
- ▶ Nekādā gadījumā nestrādājiet ar ripzāģi virs galvas augstuma.
- ▶ Nekad nemēģiniet nobremzēt zāģa rīpas kustību, piespiežot to no sāniem.
- ▶ Raugieties, lai netiktu pārkarsētas zāģa zobu smailes.
- ▶ Zāģējot plastmasas materiālus, nedrīkst pieļaut plastmasas kušanu.
- ▶ Vienmēr lietojiet tādu zāģa rīpu, kas atbilst zāģējamajam materiālam.
- ▶ Lietojiet tikai un vienīgi Hilti ieteiktās zāģa rīpas, kas atbilst standartam EN 847-1.



3.1 Izstrādājuma pārskats 1



- ① Paralēlā atdure ar vienu malu
- ② Zāģēšanas leņķa iestatīšana
- ③ Vārpstas bloķēšanas taustiņš
- ④ Papildu rokturis
- ⑤ Ieslēgšanas un izslēgšanas slēdzis
- ⑥ Ieslēgšanās bloķēšana
- ⑦ Rokturis
- ⑧ Barošanas kabelis
- ⑨ Zāģēšanas dziļuma noregulējuma fiksācijas skrūves
- ⑩ Iekšējā sešstūra atslēga
- ⑪ Pamatplāksne, mazā
- ⑫ LED apgaismojums
- ⑬ Paralēlās atdures fiksācijas svira, priekšējā
- ⑭ Zāģēšanas leņķa noregulējuma fiksācijas svira
- ⑮ Zāģējuma dziļuma skala
- ⑯ Pieslēguma īscaurule (skaidu nosūcējam)
- ⑰ Drošības pārsegs
- ⑱ Svārstīgā aizsarga vadības svira
- ⑲ Paralēlās atdures fiksācijas svira, aizmugurējā (tikai lielajai pamatplāksnei)
- ⑳ Svārstīgais aizsargs
- ㉑ Piedziņas vārpsta
- ㉒ Rotācijas virziena bultiņa
- ㉓ Paralēlā atdure ar divām malām
- ㉔ Zāģējuma atzīme 0°
- ㉕ Zāģējuma atzīme 45°
- ㉖ Zāģēšanas leņķa skala
- ㉗ Lielā pamatplāksne
- ㉘ Fiksācijas skrūve
- ㉙ Fiksācijas atloks
- ㉚ Stiprinājuma atloks
- ㉛ Pamatplāksnes rievas atzīme 0°
- ㉜ Pamatplāksnes rievas atzīme 1°-50°

3.2 Vadotnes slīdes adaptera pārskats 2

- ③③ Atbalsta stienis, aizmugurējais
- ③④ Priekšējais atbalsta stienis
- ③⑤ Rievas atzīme 0°
- ③⑥ Rievas atzīme 1-50°

3.3 Nosacījumiem atbilstīga lietošana

Aprakstītais izstrādājums ir ripzāģis. Tas ir paredzēts koka, kokam līdzīgu materiālu, plastmasas, ģipškartona, ģipša šķiedras plāksņu un kombinēto materiālu zāģēšanai ar zāģējuma dziļumu līdz 55 mm, kā arī slīpiem zāģējumiem leņķī līdz 50°.

3.3.1 Varbūtēja nepareiza lietošana

Nedrīkst izmantot zāģa ripas, kas neatbilst sadaļā Tehniskie parametri norādītajiem parametriem, abrazīvās griezējriņas un slīpriņas, kā arī zāģa ripas, kas izgatavotas no augsta leģējuma ātrgriešanas tērauda (HSS). Iekārtu nedrīkst izmantot metāla zāģēšanai.



3.4 Piegādes komplektācija

Ripzāģis, zāģa ripa, iekšējā sešstūra atslēga, paralēlā atdure, lietošanas instrukcija.



Lai iekārtas lietošana būtu droša, izmantojiet tikai oriģinālās rezerves daļas un patēriņa materiālus. Rezerves daļas un patēriņa materiālus, kuru lietošanu kopā ar šo iekārtu mēs akceptējam, var atrast **Hilti Store** vai tīmekļvietnē **www.hilti.group**.

4 Tehniskie parametri

4.1 Tehniskie parametri



Nominālā sprieguma, nominālās strāvas, frekvences un nominālās ieejas jaudas parametri ir norādīti attiecīgajai valstij paredzētajā identifikācijas datu plāksnītē.

Ja šīs iekārtas darbināšanai izmanto ģeneratoru vai transformatoru, tā izejas jaudai jābūt vismaz divreiz lielākai par nominālo ieejas jaudu, kas norādīta uz iekārtas identifikācijas datu plāksnītes. Transformatora vai ģeneratora darba spriegumam vienmēr jābūt iekārtas nominālā sprieguma diapazonā ar pielaidi +5 % vai -15 %.

Svars, mazā pamatplāksne	4,5 kg
Svars, lielā pamatplāksne	4,7 kg
Zāģa ripas diametrs	160 mm ... 165 mm
Zāģa ripu pamatnes biezums	1,1 mm ... 1,5 mm
Zāģa ripas stiprinājuma atvere	20 mm
Zāģējuma dziļums 0° leņķī	0 mm ... 55 mm
Zāģējuma dziļums 45° leņķī	0 mm ... 41 mm
Zāģējuma dziļums 50° leņķī	0 mm ... 37 mm
Rotācijas ātrums tukšgaitā	5 500 apgr./min

4.2 Informācija par troksni un vibrāciju saskaņā ar EN 62841

Šajās instrukcijās norādītie lielumi, kas raksturo skaņas spiedienu un vibrāciju, ir noteikti ar standartizētas mērījumu metodes palīdzību, un tos var izmantot elektroiekārtu savstarpējai salīdzināšanai. Tos var izmantot arī trokšņa un vibrācijas iedarbības pagaidu novērtējumam.

Norādītie parametri attiecas uz elektroiekārtas galvenajiem lietošanas veidiem. Taču, ja elektroiekārta tiek izmantota citos nolūkos, ar citiem maināmajiem instrumentiem vai netiek nodrošināta pietiekama tās apkope, parametri var atšķirties no norādītajiem. Tas var ievērojami palielināt trokšņa un vibrācijas iedarbību visā darba laikā.

Lai precīzi novērtētu iedarbību, jāņem vērā arī laiks, cik ilgi iekārta ir izslēgta vai ir ieslēgta, taču faktiski netiek darbināta. Tas var būtiski samazināt iedarbību kopējā darba laikā.

Jāparedz papildu drošības pasākumi, lai aizsargātu iekārtas lietotāju pret trokšņa un/vai vibrācijas iedarbību, piemēram, elektroiekārtas un apkope, roku turēšana siltumā, darba procesu organizācija.

Informācija par troksni

Skaņas jaudas līmenis (L_{WA})	101 dB(A)
Skaņas spiediena līmenis (L_{pA})	90 dB(A)
Iespējamā kļūda	3 dB(A)

Informācija par vibrāciju

	230 V	110 V
Triaksiālā vibrācijas vērtība, zāģējot koku (a_n)	1,77 m/s ² (5,81 ft/s ²)	2,12 m/s ² (6,96 ft/s ²)
Iespējamā kļūda (K)	1,5 m/s ²	1,5 m/s ²



5 Lietošana

5.1 Zāga ripas demontāža

BRĪDINĀJUMS!

Apdedzināšanās risks Apdraudējums, ko rada karsti instrumenti, fiksācijas atloks vai fiksācijas skrūve un zāga ripas asās malas.

- ▶ Mainot instrumentus, lietojiet aizsargcimdus.

1. Atvienojiet iekārtu no elektrotīkla.
2. Nofiksējiet iekšējā sešstūra atslēgu uz zāga ripas stiprinājuma skrūves.
3. Nospiediet vārpstas bloķēšanas taustiņu un turiet to nospiestu.
4. Ar iekšējā sešstūra atslēgu pagrieziet zāga ripas fiksācijas skrūvi, līdz pilnībā nofiksējas vārpstas bloķēšanas taustiņš.
5. Ar iekšējā sešstūra atslēgu griežot rotācijas virzienā atbilstīgi bultiņai, atlaidiet stiprinājuma skrūvi.
6. Izņemiet fiksācijas skrūvi un noņemiet ārējo fiksācijas atloku.
7. Atveriet svārstīgo aizsargu un noņemiet zāga ripu.



Ja nepieciešams, stiprinājuma atloku var noņemt, lai veiktu tīrīšanu.

5.2 Zāga ripas montāža

IEVĒROT PIESARDZĪBU!

Bojājumu risks Nepiemērotas vai nepareizi piemontētas zāga ripas var izraisīt zāga bojājumus.

- ▶ Lietojiet tikai tādas zāga ripas, kas ir piemērotas šim zāgim. Pievērsiet uzmanību uz zāga ripas attēlotajai rotācijas virziena bultiņai.
- ▶ Lietojiet tikai tādas zāga ripas, kuru pieļaujamais apgriezību skaits ir vismaz tikpat liels kā uz izstrādājuma norādītais maksimālais apgriezību skaits.

1. Atvienojiet iekārtu no elektrotīkla.
2. Notīriet stiprinājuma un fiksācijas atlokus.
3. Pareizā virzienā uzlieciet ārējo stiprinājuma atloku.
4. Atveriet svārstīgo aizsargu.
5. Uzlieciet jaunu zāga ripu.
6. Pareizā virzienā uzlieciet ārējo fiksācijas atloku.
7. Ielieciet vietā fiksācijas skrūvi.
8. Nofiksējiet iekšējā sešstūra atslēgu uz zāga ripas fiksācijas skrūves.
9. Nostipriniet fiksācijas atloku ar fiksācijas skrūvi, pagriežot to pulkstenrādītāja kustības virzienā. Vienaļaus ar vienu roku turiet nospiestu vārpstas bloķēšanas taustiņu.
10. Pirms iekārtas lietošanas pārbaudiet, vai zāga ripa ir nofiksēta kārtīgi un novietota pareizi.

5.3 Zāgējuma dziļuma noregulēšana

1. Atvienojiet iekārtu no elektrotīkla.
2. Atbrīvojiet zāgējuma dziļuma iestatījuma fiksācijas sviru.
3. Ar pagrieziena kustību paceliet ripzāģi un iestatiet zāgējuma dziļumu.
 - ↳ Zāgējuma dziļums ir redzams uz zāgējuma dziļuma skalas.



Lai iegūtu precīzu zāgējuma malu, zāgējuma dziļumam ir jābūt par 2 mm lielākam nekā materiāla biežums.

4. Nofiksējiet zāgējuma dziļuma iestatīšanas sviru.

5.4 Zāgēšanas leņķa iestatīšana

1. Atvienojiet iekārtu no elektrotīkla.
2. Atbrīvojiet zāgējuma leņķa noregulējuma fiksācijas sviru.
3. Pagrieziet pamatplāksni nepieciešamajā zāgēšanas leņķī.
 - ↳ Zāgējuma leņķis ir redzams uz zāgējuma leņķa skalas.



4. Pievelciet zāgējuma leņķa noregulējuma fiksācijas sviru.

5.5 Iezāgējuma rādītājs

Pie ripzāga priekšējās pamatplāksnes atrodas gan taisniem, gan slīpiem zāgējumiem paredzēts lezāgējuma rādītājs (0° un 45°). Ar tā palīdzību ir iespējams veikt precīzus zāgējumus izvēlētajā leņķī. Iezāgējuma mala atbilst zāga ripas iekšpusei. Iezāgējuma rādītājs atrodas pie priekšējā zāga ripas izgriezuma.

5.5.1 Zāgēšana pēc lezāgējuma veikšana



Nodrošiniet zāgējamo materiālu pret izkustēšanos.

Novietojiet zāgējamo materiālu tā, lai zāga ripa zem tā varētu brīvi kustēties.

Pārliecinieties, ka ir izslēgts iekārtas ieslēgšanas / izslēgšanas slēdzis.

Novietojiet ripzāģi ar pamatplāksni uz zāgējamā materiāla tā, lai zāga zobi vēl nesaskartos ar materiālu.

1. Ieslēdziet ripzāģi.
2. Atbilstošā darba ātrumā virziet ripzāģi zāgējamo materiālu gar lezāgējuma vietu.

5.6 Zāgēšana ar paralēlo atduri

Ar vienu sviru aprīkotā paralēlā atdure nodrošina iespēju veikt precīzus zāgējumus paralēli materiāla malai vai sazāgēt vienāda izmēra līstītes. Paralēlo atduri ir iespējams piemontēt abās pamatplāksnes pusēs.

Divplecu paralēlā atdure ir paredzēta tikai lietošanai kopā ar lielo pamatplāksni.

Veicot paralēlās atdures montāžu, raugieties, lai tā būtu pavērsta pareizā virzienā.

5.7 Zāgēšana, izmantojot vadotnes sliedi

Vadotnes sliedes izmantošana zāgēšanas laikā samazina atsietna iespēju.

5.7.1 Ripzāga ievietošana vadotnes sliedes adapterā / izņemšana



Ja iekārta ir aprīkota ar mazo pamatplāksni, lietojiet vadotnes sliedes adapteru, kas atbilst attiecīgajai vadotnes sliedei.

1. Ja ir piemontēta paralēlā atdure, noņemiet to.
2. Iebīdiet pamatplāksni vadotnes sliedes adaptera aizmugurējos atbalsta stieņos.
3. Priekšpusē pilnībā iebīdiet pamatplāksni vadotnes sliedes adapterā. Pamatplāksnei pilnībā jānofiksējas pie priekšējā atbalsta stieņa.
4. Lai atbrīvotu ripzāģi, nedaudz pavelciet priekšējo atbalsta stieni uz priekšu un izņemiet ripzāģi no vadotnes sliedes adaptera.

5.7.2 Garenvirziena zāgējumi leņķī 0°

- ▶ Uzlieciet ripzāģi ar rievas atzīmi "0°" uz vadotnes sliedes stieņa.

5.7.3 Garenvirziena zāgējumi leņķī līdz 50°



IEVĒROT PIESARDZĪBU!

Bojājumu risks Zāga ievietošana nepareizā rievā var izraisīt zāga ripas un vadotnes sliedes sadursmi.

- ▶ Ievietojiet zāģi pareizajā rievā.
- ▶ Uzlieciet zāģi ar rievas atzīmi "1-50°" uz vadotnes sliedes stieņa.

5.7.4 Zāgēšana, izmantojot vadotnes sliedi

1. No apakšas stingri nostipriniet vadotnes sliedi ar divām skrūvspilēm.
2. Novietojiet ripzāģi vadotnes sliedes atbalsta zonā. Lai veiktu aksiālus zāgējumus leņķī 20°-50°, atveriet aizsargu manuāli.



Ripzāģim jābūt novietotam uz vadotnes sliedes aiz apstrādājamā materiāla.

Pievērsiet uzmanību tam, lai zāga ripa nesaskartos ar materiālu.

3. Ieslēdziet ripzāģi.



4. Vienmērīgi virziet ripzāģi pa apstrādājamo materiālu.

- ↳ Ja zāģējuma leņķis ir mazāks nekā 20°, svārstīgais aizsargs atveras, nonākot saskarē ar atvienošanas apmali sānos.
- ↳ Pēc vadotnes sliedes gala šķērsošanas tas atkal aizveras.

5.8 Zāģēšana ar un bez skaidu nosūcēja

Ripzāģis ir aprīkots ar pieslēguma tīscauruli, kas paredzēta, lai pievienotu standarta sūkšanas šļūtenes ar diametru 27 mm. Putekšsūcēja šļūtenes savienošanai ar ripzāģi var būt nepieciešams atbilstīgs adapters.

Ja iespējams, vienmēr lietojiet piemērotu mobilo putekļu nosūcēju, kas paredzēts izmantošanai koka vai koka un minerālu materiālu apstrādē.

Ja jūs strādājat bez skaidu nosūcēja, pagriežot skaidu kanālu, izvēlieties tādu skaidu izmešanas virzienu, lai skaidas nelidotu uz jūsu pusi.



Vienmēr valkājiet elpceļu aizsargmasku ar kategorijas P2 filtru un nodrošiniet pietiekamu ventilāciju, lai līdz minimumam samazinātu putekļu radīto piesārņojumu.

6 Apkope un uzturēšana

6.1 Apkope un uzturēšana



BRĪDINĀJUMS!

Elektriskā trieciena risks! Apkopes un remonta darbu veikšana, neatvienojot iekārtu no elektrotīkla, var izraisīt smagas traumas un apdegumus.

- ▶ Pirms jebkādiem apkopes un remonta darbiem vienmēr atvienojiet barošanas kabeli!

Kopšana

- Uzmanīgi jānotīra pielīpušie netīrumi.
- Uzmanīgi jāiztīra ventilācijas atveres ar sausu birstīti.
- Korpusa tīrīšanai jālieto tikai nedaudz samitrināta drāniņa. Nedrīkst lietot silikonu saturošus kopšanas līdzekļus, kas var sabojāt plastmasas daļas.

Uzturēšana



BRĪDINĀJUMS!

Elektrošoka risks! Neprofesionāli veikts elektrisko daļu remonts var kļūt par cēloni smagām traumām un apdegumiem.

- ▶ Elektrisko daļu labošanu var veikt tikai elektrības nozares speciālisti .
- Regulāri pārbaudiet visas redzamās daļas, lai pārliecinātos, ka tās nav bojātas un funkcionē nevainojami.
- Bojājumu un/vai funkciju traucējumu gadījumā izstrādājumu nedrīkst lietot. Tas nekavējoties jānodod **Hilti**, lai veiktu remontu.
- Pēc apkopes un remonta darbiem visas aizsargierīces jāpiemontē vietā un jāpārbauda, vai tās darbojas.



Lai iekārtas lietošana būtu droša, izmantojiet tikai oriģinālās rezerves daļas un patēriņa materiālus. Rezerves daļas un patēriņa materiālus, kuru lietošanu kopā ar šo iekārtu mēs akceptējam, var atrast **Hilti Store** vai tīmekļvietnē. www.hilti.group.

6.2 Pārbaude pēc apkopes un uzturēšanas darbiem



Pēc apkopes un uzturēšanas darbiem ir jāpārbauda, vai ir pievienotas visas aizsargierīces un vai to darbība ir nevainojama.

- ▶ Lai pārbaudītu drošības pārsega funkcijas, līdz galam atveriet to, nospiežot vadības sviru.
 - ↳ Pēc vadības sviras atlaišanas svārstīgajam drošības pārsegam ātri un pilnībā jāaizveras.

6.3 Skaidu kanāla tīrīšana



Noteiktos gadījumos var būt nepieciešams tīrīšanas laikā demontēt zāģa ripu.



1. Atvienojiet iekārtu no elektrotīkla.
2. Demontējiet zāga ripu. → Lappuse 74
3. Izīriert skaidu kanālu.
4. Iemontējiet zāga ripu. → Lappuse 74
5. Pārbaudiet, vai kustīgās daļas darbojas bez traucējumiem un neķeras, vai kāda no daļām nav salauzta vai bojāta un tādējādi netraucē iekārtas nevainojamu darbību.

6.4 Aizsargierīces tīrīšana

1. Demontējiet zāga ripu. → Lappuse 74
2. Uzmanīgi izīriert aizsargierīci ar sausu birstīti.
3. Ar piemērota instrumenta palīdzību izīriert nogulsņumus un skaidas no aizsargierīces iekšpusēs.
4. Iemontējiet zāga ripu. → Lappuse 74

7 Traucējumu diagnostika

Traucējums	Iespējamais iemesls	Risinājums
Iekārta nedarbojas ar pilnu jaudu	Pagarinātājkabelis ir pārāk garš un / vai ar nepietiekamu šķērsgriezumu.	► Lietojiet pagarinātājkabeli ar pieļaujamo garumu un/vai pietiekami lielu šķērsgriezumu.
	Elektroapgādē nepietiekams spriegums.	► Pievienojiet iekārtu citam sprieguma padeves avotam.
Iekārta nedarbojas.	Pārtraukta sprieguma padeve.	► Pievienojiet citu elektroiekārtu un pārbaudiet, vai tā darbojas.
	Bojāts tīkla kabelis vai kontaktdakša.	► Uzdodiet elektrotehnikas speciālistam pārbaudīt barošanas kabeli un kontaktdakšu un, ja nepieciešams, lieciet no nomainīt Hilti servisā.
	Bojāts ieslēgšanas / izslēgšanas slēdzis.	► Nododiet iekārtu Hilti servisā remonta veikšanai.
	Nodilūšas oglītes.	► Nododiet iekārtu Hilti servisā remonta veikšanai.
Nosūkšanas jauda pazūd vai samazinās.	Nosprostots skaidu kanāls.	► Izīriert skaidu kanālu. → Lappuse 76
Neaizveras svārstīgais aizsargs.	Nosprostota aizsargierīce.	► Veiciet aizsargierīces tīrīšanu. → Lappuse 77
Iekārta vibrē vairāk nekā parasti.	Nepareizi iemontēta zāga ripa.	► Demontējiet zāga ripu un veiciet tās montāžu pareizi.

8 Nokalpojušo iekārtu utilizācija

Hilti iekārtu izgatavošanā tiek izmantoti galvenokārt otrreiz pārstrādājami materiāli. Priekšnosacījums otrreizējai pārstrādei ir atbilstoša materiālu šķirošana. Daudzās valstīs **Hilti** pieņem nolietotās iekārtas otrreizējai pārstrādei. Lai saņemtu vairāk informācijas, vērsieties **Hilti** servisā vai pie sava pārdošanas konsultanta.



- Neizmetiet elektroiekārtas, elektroniskas ierīces un akumulatorus sadzīves atkritumos!

9 RoHS (direktīva par bīstamo vielu izmantošanas ierobežošanu)

Lai apskatītu bīstamo vielu tabulu, izmantojiet šādu saiti: qr.hilti.com/r2937786.
Saiti uz RoHS tabulu jūs QR koda veidā atradīsiet šīs dokumentācijas beigās.



- ▶ Ar jautājumiem par garantijas nosacījumiem, lūdzu, vērsieties pie vietējā **Hilti** partnera.



1 Dokumentų duomenys

1.1 Apie šią instrukciją

- Prieš pradėdami eksploatuoti, perskaitykite šią instrukciją. Tai yra saugaus darbo ir patikimo naudojimo sąlyga.
- Laikykitės šioje instrukcijoje ir ant prietaiso pateiktų saugos nurodymų ir įspėjimų.
- Šią naudojimo instrukciją visada laikykite kartu su prietaisu, prietaisą kitiems asmenims perduokite tik kartu su šia instrukcija.

1.2 Ženklų paaiškinimas

1.2.1 Įspėjantieji nurodymai

Įspėjantieji nurodymai įspėja apie pavojus, gresiančius eksploatuojant prietaisą. Naudojami tokie signaliniai žodžiai:

PAVOJUS

PAVOJUS !

- ▶ Šis žodis vartojamas norint įspėti apie tiesiogiai gresiantį pavojų, kurio pasekmės yra sunkūs kūno sužalojimai arba žūtis.

ĮSPĖJIMAS

ĮSPĖJIMAS !

- ▶ Šis žodis vartojamas norint įspėti apie galimai gresiantį pavojų, kurio pasekmės gali būti sunkūs kūno sužalojimai arba žūtis.





ATSARGIAI

ATSARGIAI !

- ▶ Šis žodis vartojamas potencialiai pavojingai situacijai žymėti, kai yra lengvo kūno sužalojimo arba materialinių nuostolių grėsmė.


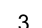


1.2.2 Instrukcijoje naudojami simboliai

Šioje instrukcijoje naudojami tokie simboliai:

	Prieš naudojant, perskaityti instrukciją
	Naudojimo nurodymai ir kita naudinga informacija
	Rodo, kad juo paženklintą medžiagą galima perdirbti
	Elektrinių prietaisų ir akumuliatorių nemesti į buitinius šiukšlynus

1.2.3 Iliustracijose naudojami simboliai

Iliustracijose naudojami šie simboliai:

	Šis skaitmenys nurodo atitinkamą iliustraciją šios instrukcijos pradžioje
	Numeravimas nurodo darbinių veiksmų eiliškumą paveikslėlyje ir gali skirtis nuo tekste pateikto darbinių veiksmų numeravimo
	Pozicijų numeriai naudojami paveikslėlyje Apžvalga – jie nurodo skyrelyje Prietaiso vaizdas esančių paaiškinimų numerius
	Šiuo ženklu siekiama atkreipti ypatingą dėmesį į naudojamą šiuo prietaisu.

1.3 Specifiniai prietaiso simboliai

1.3.1 Simboliai ant prietaiso

Ant prietaiso gali būti naudojami tokie simboliai:



	Belaidis duomenų perdavimas
n_0	Nominalus tuščiosios eigos sukimosi greitis
	II apsaugos klasė (su dviguba izoliacija)
	Pjovimo diskas

1.4 Informacija apie prietaisą

gaminiai yra skirti profesionalams, todėl juos naudoti, techniškai prižiūrėti ir remontuoti leidžiama tik įgaliotam instruktui personalui. Šis personalas turi būti supažindintas su visais galimais pavojais. Neapmokyto personalo, netinkamai arba ne pagal paskirtį naudojamas prietaisas ir jo reikmenys gali kelti pavojų.

Tipas ir serijos numeris yra nurodyti firminėje duomenų lentelėje.

- ▶ Serijos numerį perkelkite į toliau nurodytą lentelę. Kreipdamiesi su prietaisu susijusiais klausimais į mūsų atstovybę ar techninės priežiūros centrą, visada nurodykite šiuos prietaiso duomenis.

Prietaiso duomenys

Diskinis pjūklas	SC 55W
Karta	01
Serijos Nr.	

1.5 Atitikties deklaracija

Prisiimdami visą atsakomybę pareiškiame, kad čia aprašytas gaminys atitinka galiojančias direktyvas ir normas. Atitikties deklaracijos kopiją rasite šios instrukcijos gale.

Techninė dokumentacija saugoma čia:

Hilti Entwicklungsgesellschaft mbH | Zulassung Geräte | Hiltistraße 6 | 86916 Kaufering, DE

2 Sauga

2.1 Bendrieji saugos nurodymai dirbantiems su elektriniais įrankiais

⚠️ [SPĖJIMAS Perskaitykite visus ant šio elektrinio įrankio esančius saugos nurodymus, instrukcijas, paveikslėlius ir techninius duomenis. Šių nurodymų nesilaikymas gali tapti elektros smūgio, gaisro ir / arba sunkių sužalojimų priežastimi.

Išsaugokite visus saugos nurodymus ir instrukcijas, kad galėtumėte į juos pažvelgti ateityje.

Saugos nurodymuose vartojama sąvoka „elektrinis įrankis“ apibrėžiami iš elektros tinklo maitinami elektriniai įrankiai (turintys maitinimo kabelį) ir iš akumuliatoriaus maitinami elektriniai įrankiai (be maitinimo kabelio).

Sauga darbo vietoje

- ▶ **Pasirūpinkite, kad darbo vieta visada būtų švari ir gerai apšviesta.** Netvarkinga ar blogai apšviesta darbo vieta gali tapti nelaimingų atsitikimų priežastimi.
- ▶ **Nenaudokite elektrinio įrankio sprogoje aplinkoje, kurioje yra degių skysčių, dujų arba dulkių.** Veikiantys elektriniai įrankiai kibirkščiuoja, ir kibirkštys gali uždegti dulkes arba susikaupusius garus.
- ▶ **Dirbdami su elektriniu įrankiu, neleiskite darbo zonoje būti vaikams ir pašaliniais asmenims.** Atitraukę dėmesį nuo darbo, galite nebesuvaldyti prietaiso.

Apsauga nuo elektros

- ▶ **Prietaiso maitinimo kabelio kištukas turi atitikti elektros lizdo tipą.** Kištuko jokių būdu negalima keisti. Nenaudokite tarpinių kištukų kartu su elektriniais įrankiais, turinčiais apsauginį įžeminimą. Nepakeisti kištukai ir tinkami elektros lizdai mažina elektros smūgio riziką.
- ▶ **Venkite kūno kontakto su įžemintais paviršiais, pvz., vamzdžiais, šildytuvais, viryklėmis ir šaldytuvais.** Kai žmogaus kūnas yra įžemintas, padidėja elektros smūgio tikimybė.
- ▶ **Elektrinius įrankius saugokite nuo lietaus ir drėgmės.** Į elektrinį įrankį patekus vandens, padidėja elektros smūgio rizika.
- ▶ **Nenaudokite elektros maitinimo kabelio ne pagal paskirtį, t. y. neneškite elektrinio įrankio paėmę už kabelio, nekabinkite jo ant kabelio, netraukite už kabelio, norėdami ištraukti kištuką iš elektros lizdo.** Elektros maitinimo kabelį saugokite nuo karščio, alyvos, aštrių briaunų ar judančių dalių. Pažeisti arba susipynę elektros maitinimo kabeliai didina elektros smūgio riziką.



- ▶ Jei su elektriniu įrankiu dirbate lauke, naudokite tik tokius ilginimo kabelius, kurie tinka ir lauko darbams. Naudojant lauko darbams tinkančius ilginimo kabelius, mažėja elektros smūgio rizika.
- ▶ Jeigu elektrinio įrankio naudojimo drėgnoje aplinkoje negalima išvengti, į elektros tinklą jįjunkite per apsauginę nuotėkio relę. Apsauginė nuotėkio relė mažina elektros smūgio riziką.

Žmonių sauga

- ▶ Dirbdami su elektriniu įrankiu, būkite atidūs, sutelkite dėmesį į darbą ir vadovaukitės sveika nuovoka. Elektrinio įrankio nenaudokite, jeigu esate pavargę arba apsvaigę nuo narkotinių medžiagų, alkoholio ar vaistų. Neatidumo akimirka dirbant su elektriniu įrankiu gali tapti rimtu sužalojimų priežastimi.
- ▶ Naudokite asmenines apsaugos priemones ir visuomet užsidėkite apsauginius akinius. Naudojant asmenines apsaugos priemones, pvz., respiratorių, neslystančius apsauginius batus, apsauginį šalną, ausines ir kt., priklausomai nuo elektrinio įrankio tipo ir naudojimo, mažėja rizika susižaloti.
- ▶ Saugokitės, kad neįjungtumėte prietaiso atsitiktinai. Prieš prijungdami prie elektros maitinimo tinklo, įdėdami akumuliatorių, imdami į rankas ar nešdami, įsitikinkite, kad elektrinis įrankis yra išjungtas. Jeigu nešdami elektrinį įrankį pirštą laikysite ant jungiklio arba įrankį įjungsitė į elektros tinklą tuomet, kai jungiklis nėra išjungtas, gali įvykti nelaimingas atsitikimas.
- ▶ Prieš įjungdami elektrinį įrankį, pašalinkite iš jo reguliavimo įrankius ar veržlinius raktus. Besisukančioje prietaiso dalyje esantis įrankis ar paliktas raktas gali tapti sužalojimų priežastimi.
- ▶ Venkite nepatogių kūno padėčių. Dirbdami stovėkite tvirtai ir visada išlaikykite kūno pusiausvyrą. Taip galėsite geriau kontroliuoti elektrinį įrankį netikėtose situacijose.
- ▶ Vilkėkite tinkamą aprangą. Nevilkėkite plačių drabužių, nesidėkite papuošalų. Saugokite plaukus, drabužius ir pirštines nuo besisukančių prietaiso dalių. Laisvus drabužius, papuošalus ir ilgus plaukus gali įtraukti besisukančios prietaiso dalys.
- ▶ Jei yra numatyta galimybė prijungti dulkių nusiurbimo ar surinkimo įrenginius, visada įsitikinkite, kad jie yra prijungti ir tinkamai naudojami. Naudojant dulkių nusiurbimo įrenginį, gali sumažėti dulkių keliamo grėsmė.
- ▶ Neturėkite iliuzijų, kad visada esate saugūs, ir, skaitydami naudojimo instrukcijas, nepraleiskite skyrelių apie saugų darbą su elektriniais įrankiais, net jeigu per ilgus naudojimo metus esate su savo elektriniu įrankiu susipažinę. Neatsargus veiksmas per sekundės dalį gali tapti sunkių sužalojimų priežastimi.

Elektrinio įrankio naudojimas ir elgesys su juo

- ▶ Prietaiso neperkraukite. Naudokite Jūsų darbui tinkamą elektrinį įrankį. Su tinkamu elektriniu įrankiu dirbsite geriau ir saugiau, jei neviršysite nurodytos galios.
- ▶ Nenaudokite elektrinio įrankio su sugedusiu jungikliu. Elektrinis įrankis, kurio nebegalima įjungti ar išjungti, yra pavojingas ir jį reikia remontuoti.
- ▶ Prieš prietaisą nustatydami, keisdami reikmenis ar tiesiog padėdami į šalį, visuomet ištraukite maitinimo kabelio kištuką iš elektros lizdo ir / arba iš prietaiso išimkite akumuliatorių. Ši atsargumo priemonė leis išvengti netikėto elektrinio įrankio įsijungimo.
- ▶ Nenaudojamus elektrinius įrankius saugokite vaikams nepasiekiamoje vietoje. Neleiskite prietaisu naudotis asmenims, kurie nėra su juo susipažinę arba nėra perskaitę šios instrukcijos. Elektriniai įrankiai yra pavojingi, kai juos naudoja patirties neturintys asmenys.
- ▶ Elektrinius įrankius ir reikmenis rūpestingai prižiūrėkite. Tikrinkite, ar judančios elektrinio įrankio dalys tinkamai funkcionuoja ir niekur neklūva, ar nėra sulūžusios ir pažeistų dalių, kurios blogintų įrankio veikimą. Prieš naudojimą pažeistos prietaiso dalys turi būti suremontuotos. Blogai prižiūrimi elektriniai įrankiai yra daugelio nelaimingų atsitikimų priežastis.
- ▶ Pjovimo įrankiai visuomet turi būti aštrūs ir švarūs. Rūpestingai prižiūrėti pjovimo įrankiai su aštriomis pjovimo briaunomis mažiau stringa ir yra lengviau valdomi.
- ▶ Elektrinį įrankį, reikmenis, keičiamuosius įrankius ir t. t. naudokite pagal šias instrukcijas. Taip pat atsižvelkite į darbo sąlygas ir atliekamo darbo pobūdį. Elektrinius įrankius naudojant ne pagal paskirtį, gali kilti pavojingos situacijos.
- ▶ Prižiūrėkite rankenas, kad jos ir jų laikymo paviršiai visada būtų sausi, švarūs ir neriebaluoti. Slidžios rankenos ir jų laikymo paviršiai negali užtikrinti elektrinio įrankio saugaus naudojimo ir valdymo kontrolės nenumatytose situacijose.

Techninė priežiūra

- ▶ Savo elektrinį įrankį patikėkite remontuoti tik kvalifikuotam specialistui, tam jis turi naudoti tik originalias atsargines dalis. Taip galima užtikrinti, kad bus išlaikytas elektrinio įrankio naudojimo saugumas.



2.2 Saugos nurodymai dirbantiems visais pjūklais

Pjovimo procesas

- ▶ **⚠ PAVOJUS:** Nekiškite rankų į pjovimo zoną ir prie pjovimo įrankio. Antrąją ranką laikykite papildomą rankeną arba variklio korpusą. Kai pjūklą laiko abi rankos, pjovimo diskas jų sužaloti negali.
- ▶ **Nekiškite rankų po pjaunamu ruošiniu.** Kadangi po ruošiniu nėra apsauginio gaubto, todėl jis negali Jūsų apsaugoti nuo pjovimo disko.
- ▶ **Pjovimo gylį parinkite pagal ruošinio storį.** Po ruošiniu turi matytis ne visas danties aukštis.
- ▶ **Pjaunamo ruošinio niekada nelaikykite rankoje arba ant kojų. Ruošinį stabiliai užfiksuokite.** Labai svarbu ruošinį gerai pritvirtinti, kad pavojus pjūklui prisiliesti prie kūno, užstrigti pjovimo diskui arba prietaisui tapti nebevaldomu būtų kuo mažesnis.
- ▶ **Kai vykdote darbus, kurių metu keičiamasis įrankis gali liesti paslėptus elektros laidus ar nuosavą elektros maitinimo kabelį, laikykite elektrinį įrankį tik paėmę už izoliuotų rankenų paviršių.** Palietus laidus, kuriais teka srovė, įtampa atsiranda ir metalinėse elektrinio įrankio dalyse, todėl kyla elektros smūgio pavojus.
- ▶ **Vykdydami išilginio pjovimo darbus, visada naudokite atramą arba tiesią briaunos kreipiančiąją.** Ji didina pjūvio tikslumą ir mažina pjovimo disko įstrigimo tikimybę.
- ▶ **Visada naudokite tinkamo dydžio pjovimo diskus su prietaiso griebtuvą atitinkančia tvirtinimo anga (pvz., žvaigždės formos arba apvalia).** Pjūklo montavimo elementų neatitinkantys pjovimo diskai sukasi netolygiai, todėl prietaisas gali tapti nebevaldomas.
- ▶ **Niekada nenaudokite pažeistų arba netinkamų pjovimo disko tarpiklių arba varžtų.** Pjovimo disko žiediniai tarpikliai ir varžtai yra specialiai pritaikyti Jūsų pjūklui, todėl užtikrina optimalų jo našumą ir eksploataavimo saugumą.

Atatranka – priežastys ir atitinkami saugos nurodymai

- Atatranka yra staigi elektrinio įrankio reakcija į pjovimo disko užsikabinimą ar įstrigimą, sukeltą galbūt ir netinkamos disko orientacijos, kurios metu nekontroliuojamas pjūklas pakyla iš ruošinio ir pradeda judėti dirbančio asmens link;
- jei pjovimo diskas užsikabina ar užstringa susispaudžiančiame pjovimo plyšyje, jis užsiblokuoja, ir tada variklio jėga sviedžia pjūklą juo dirbančio asmens link;
- jei pjovimo diskas pjovimo plyšyje deformuojamas arba netinkamai nukreipiamas, galinės pjovimo disko briaunos dantys gali kabinti ruošinio paviršių, dėl to pjovimo diskas gali iššokti iš pjovimo plyšio ir visas pjūklas gali pajudėti juo dirbančio asmens link.

Atatranka yra pjūklo netinkamo arba netikslaus naudojimo pasekmė. Jos galima išvengti naudojant tinkamas, toliau aprašomas atsargumo priemones.

- ▶ **Pjūklą tvirtai laikykite paėmę abiem rankomis, jas laikydami tokioje padėtyje, kad galėtumėte pasipriešinti atatranks jėgoms. Visada būkite pjovimo disko šone, dirbant Jūsų kūnas neturi būti už besisukancio pjovimo disko ir jo sukimosi plokštumoje.** Veikiant atatranks jėgai, diskinis pjūklas gali staiga pajudėti atgal, tačiau naudotojas, imdamasis tinkamų atsargumo priemonių, gali šią jėgą suvaldyti.
- ▶ **Jei pjovimo diskas stringa arba Jūs nutraukiate darbą, išjunkite pjūklą ir ramiai palaikykite ruošinyje, kol diskas visiškai sustos. Niekada nebandykite išimti pjūklą iš ruošinio arba traukti jį atgal, kol pjovimo diskas dar sukasi, – gali kilti atatranka.** Nustatykite ir pašalinkite pjovimo disko strigimo priežastį.
- ▶ **Jei ruošinyje esantį pjūklą norite įjungti iš naujo, nustatykite pjovimo diską pjovimo plyšio centre ir patikrinkite, ar pjūklo dantys neįstrigę ruošinyje.** Jei pjūklo diskas stringa, pakartotinai įjungus, jis gali išslysti iš ruošinio arba dėl jo gali atsirasti atatranks jėga.
- ▶ **Dideles plokštes atremkite, kad, pjovimo diskui įstrigus, sumažėtų atatranks tikimybė.** Didelės plokštės gali sulinkti dėl savo svorio. Plokštes reikia atremti abiejose pusėse – prie pjovimo plyšio ir kraštuose.
- ▶ **Nenaudokite atšipusių arba pažeistų pjovimo diskų.** Dėl pjovimo diskų, kurių dantys atšipę arba netinkami, sumažėja pjovimo plyšys ir padidėja trintis, pjovimo diskas gali pradėti strigti ir atsiranda atatranks jėga.
- ▶ **Prieš pradėdami pjauti, priveržkite pjovimo gylį ir pjovimo kampo nustatymo rankenėles.** Jei pjaunant nustatymai pasikeičia, pjovimo diskas gali įstrigti ir dėl to gali kilti atatranka.
- ▶ **Ypač atsargiai pjaukite angas sienose ar kitose mažai žinomose vietose.** Iš viršaus įpjaunamas pjovimo diskas gali paliesti paslėptus objektus, užsiblokuoti ir sukelti atatranka.

Apatinio apsauginio gaubto veikimas

- ▶ **Prieš kiekvieną naudojimą patikrinkite, ar sklandžiai užsidaro apatinis apsauginis gaubtas. Nenaudokite pjūklo, jei apatinis apsauginis gaubtas yra nepaslankus ir jo negalima uždaryti sklandžiai. Niekada neužblokuokite ir neužfiksuokite apatinio apsauginio gaubto, kai jis yra atidarytas. Jei**



pjūklas netyčia nukristų ant žemės, apatinis apsauginis gaubtas gali deformuotis. Atidarykite apsauginį gaubtą patraukdami svirtį ir įsitinkite, kad jis yra paslankus bei, atliekant pjūvius skirtingais pjovimo kampais ir gyliais, nesiliečia prie pjovimo disko arba kitų dalių.

- ▶ **Patikrinkite apatinio apsauginio gaubto spyruoklių veikimą. Jei apatinis apsauginis gaubtas ir jo spyruoklės veikia nesklaidžiai, prieš naudodami pjūklą atlikite techninės priežiūros darbus.** Pažeistos dalys, kibios apnašos ar pjuvenų sankaupos lėtina apsauginio gaubto užsidarymą.
- ▶ **Apatinį apsauginį gaubtą atidarykite ranka tik atikdami ypatingus, pavyzdžiui, įgilinamąjį arba kampinį, pjūvius. Apatinį apsauginį gaubtą atidarykite patraukdami svirtį ir atleiskite ją tada, kai pjovimo diskas išipjaus į ruošinį.** Atliekant visus kitus pjovimo darbus, apatinis apsauginis gaubtas turi veikti automatiškai.
- ▶ **Nedėkite pjūklo ant darbatalio arba žemės, jei apatinis apsauginis gaubtas neuždengia pjovimo disko.** Dėl neapsaugoto, besisukančio pjovimo disko pjūklas juda priešinga pjovimo kryptiai kryptimi ir gali prapjauti šalia esančius daiktus. Atkreipkite dėmesį į pjūklo stojimo trukmę.

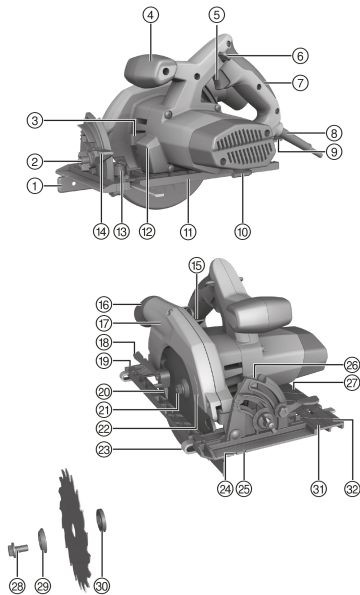
2.3 Papildomi saugos nurodymai dirbantiems su diskinais pjūklais

- ▶ Ruošinio link stumkite tik įjungtą rankinį diskinį pjūklą.
 - ↳ Pjūvio linijos viršuje ir apačioje neturi būti jokių kliūčių. Nepjaukite varžtų, vinių ir pan.
- ▶ Su diskiniu pjūklu niekada nedirbkite virš galvos.
- ▶ Pjovimo disko niekada nestabdykite spausdami iš šono.
- ▶ Saugokite, kad neperkaistų pjovimo disko dantų viršūnės.
- ▶ Pjaunant plastikus, reikia vengti šių medžiagų lydymosi.
- ▶ Medžiagoms pjauti visada naudokite tik joms tinkamus pjovimo diskus.
- ▶ Naudokite tik „Hilti“ rekomenduojamus pjovimo diskus, atitinkančius normą EN 847-1.



3 Aprašymas

3.1 Prietaiso vaizdas 1



- ① Vienpetė lygiagrečioji atrama
- ② Pjovimo kampo pradinis nustatymas
- ③ Veleno fiksavimo mygtukas
- ④ Papildoma rankena
- ⑤ Jungiklis
- ⑥ Įjungimo blokatorius
- ⑦ Rankena
- ⑧ Elektros maitinimo kabelis
- ⑨ Pjovimo gylio nustatymo įtaiso užspaudimo svirtis
- ⑩ Vidinis šešiabriaunis raktas
- ⑪ Maža pagrindo plokštė
- ⑫ Šviesadiodis apšvietimas
- ⑬ Priekinės lygiagrečiosios atramos užspaudimo svirtis
- ⑭ Pjovimo kampo nustatymo įtaiso užspaudimo svirtis
- ⑮ Pjovimo gylio skalė
- ⑯ Prijungimo atvamzdis (dulkių siurbliui)
- ⑰ Apsauginis gaubtas
- ⑱ Paslankiojo apsauginio gaubto valdymo svirtis
- ⑲ Galinės lygiagrečiosios atramos užspaudimo svirtis (tik didelei pagrindo plokštei)
- ⑳ Paslankusis apsauginis gaubtas
- ㉑ Pavaros velenas
- ㉒ Sukimosi krypties rodyklė
- ㉓ Dvipetė lygiagrečioji atrama
- ㉔ Pjūvio žyma 0°
- ㉕ Pjūvio žyma 45°
- ㉖ Pjovimo kampo skalė
- ㉗ Didelė pagrindo plokštė
- ㉘ Fiksavimo varžtas
- ㉙ Fiksavimo jungė
- ㉚ Tvirtinimo jungė
- ㉛ Griovelio žyma 0° ant pagrindo plokštės
- ㉜ Griovelio žyma 1–50° ant pagrindo plokštės

3.2 Kreipiančiosios liniuotės adapterio vaizdas 2

- ③③ Galinės laikančiosios pertvaros
- ③④ Priekinė laikančioji pertvara
- ③⑤ Griovelio žyma 0°
- ③⑥ Griovelio žyma 1–50°

3.3 Naudojimas pagal paskirtį

Aprašytasis prietaisas yra diskinis pjūklas. Jis yra skirtas medienai ir į medieną panašioms gamybinėms medžiagoms, plastikams, gipso kartonui, gipso pluošto plokštėms ir kompozitinėms medžiagoms pjauti, kai pjovimo gylis yra mažesnis kaip 55 mm, taip pat įstrižiesiems / suleidimo pjūviams iki 50° kampu.

3.3.1 Netinkamas naudojimas

Draudžiama naudoti pjovimo diskus, kurie netenkina nurodytų techninių duomenų, pjovimo diskus, šlifavimo diskus, taip pat pjovimo diskus iš gausiai legiruoto greitapjovio plieno (HSS plieno). Draudžiama pjauti metalą.



3.4 Tiekiamas kompletas

Diskinis pjūklas, pjovimo diskas, vidinis šešiabriaunis raktas, lygiagrečioji atrama, naudojimo instrukcija.

i Kad eksploatacija būtų patikima, naudokite tik originalias atsargines dalis ir eksploatacines medžiagas. Mūsų aprobuotas atsargines dalis, eksploatacines medžiagas ir reikmenis savo prietaisui rasite vietinėje **Hilti Store** arba tinklalapyje **www.hilti.group**

4 Techniniai duomenys

4.1 Techniniai duomenys

i Nominalioji maitinimo įtampa, nominalioji srovė, dažnis ir nominali vartojamoji galia yra nurodyti Jūsų šaliai galiojančioje firminėje duomenų lentelėje.

Prietaisą maitinant iš generatoriaus arba transformatoriaus, šių įrenginių atiduodamoji galia turi būti bent dvigubai didesnė už prietaiso firminėje duomenų lentelėje nurodytą nominalią vartojamąją galią. Generatoriaus arba transformatoriaus darbinės įtampos reikšmė bet kuriuo metu turi būti prietaiso nominalios maitinimo įtampos +5 % ir -15 % ribose.

Svoris, maža pagrindo plokštė	4,5 kg
Svoris, didelė pagrindo plokštė	4,7 kg
Pjovimo disko skersmuo	160 mm ... 165 mm
Bazinio pjovimo disko storis	1,1 mm ... 1,5 mm
Pjovimo disko tvirtinimo skylė	20 mm
Pjovimo gylis prie 0°	0 mm ... 55 mm
Pjovimo gylis prie 45°	0 mm ... 41 mm
Pjovimo gylis prie 50°	0 mm ... 37 mm
Tuščiosios eigos sukimosi greitis	5 500 aps./min.

4.2 Informacija apie triukšmą ir vibracijos reikšmės pagal EN 62841

Šiuose nurodymuose pateiktos garso slėgio ir vibracijos reikšmės yra išmatuotos taikant standartizuotą matavimo metodą ir gali būti naudojamos elektriniams įrankiams palyginti tarpusavyje. Jos taip pat tinka šių veiksmų poveikiui iš anksto įvertinti.

Nurodytieji duomenys yra susieti su pagrindinėmis šio elektrinio įrankio naudojimo sritimis. Jeigu elektrinis įrankis bus naudojamas kitaip, su skirtingais keičiamaisiais įrankiais arba bus nepakankamai techniškai prižiūrimas, šie duomenys gali skirtis nuo nurodytųjų. Tai gali gerokai padidinti šių veiksmų poveikį per visą darbo laikotarpį.

Norint tiksliai įvertinti poveikį, reikėtų įvertinti ir laiką, kai prietaisas yra išjungtas, arba, nors ir įjungtas, juo faktiškai nedirbama. Toks įvertinimas gali smarkiai sumažinti poveikio per visą darbo laikotarpį reikšmę.

Imkitės papildomų saugos priemonių, kad darbuotojas būtų apsaugotas nuo triukšmo ir / arba vibracijos poveikio, pavyzdžiui, reikalaukite tinkamos elektrinio įrankio ir keičiamųjų įrankių techninės priežiūros, pasirūpinkite, kad darbuotojų rankos visada būtų šiltos, užtikrinkite tinkamą darbo organizavimą.

Informacija apie triukšmą

Garso stiprumo lygis (L_{WA})	101 dB(A)
Garso slėgio lygis (L_{pA})	90 dB(A)
Paklaida	3 dB(A)

Informacija apie vibraciją

	230 V	110 V
Vibracijų reikšmės trijose ašyse pjaunant medieną (a_h)	1,77 m/s ² (5,81 ft/s ²)	2,12 m/s ² (6,96 ft/s ²)
Paklaida (K)	1,5 m/s ²	1,5 m/s ²



5 Naudojimas

5.1 Pjovimo disko išmontavimas

ĮSPĖJIMAS

Nusideginimo pavojus Pavojų kelia karštas įrankis, fiksavimo jungė arba fiksavimo varžtas ir aštrios pjovimo disko briaunos.

- ▶ Keisdami įrankius, mėvėkite apsaugines pirštines.

1. Maitinimo kabelio kištuką ištraukite iš elektros lizdo.
2. Į pjovimo disko tvirtinimo varžtą įstatykite vidinį šešiabriaunį raktą.
3. Paspauskite ir laikykite veleno blokavimo mygtuką.
4. Vidiniu šešiabriauniu raktu sukite pjovimo disko fiksavimo varžtą, kad veleno fiksavimo mygtukas visiškai užsifikuotų.
5. Vidiniu šešiabriauniu raktu sukdami pagal sukimosi krypties rodyklę, atlaisvinkite fiksavimo varžtą.
6. Nuimkite fiksavimo varžtą ir išorinę fiksavimo jungę.
7. Atlenkite paslankųjį apsauginį gaubtą ir išimkite pjovimo diską.



Jeigu reikia, tvirtinimo jungę galima nuimti ir nuvalyti.

5.2 Pjovimo disko montavimas

ATSARGIAI

Galima žala Netinkami arba netinkamai įdėti pjovimo diskai gali sugadinti pjūklą.

- ▶ Naudokite tik šiam pjūklui tinkančius pjovimo diskus. Atkreipkite dėmesį į sukimosi krypties rodyklę ant pjovimo disko.
- ▶ Naudokite pjovimo diskus, kurių leistinas sukimosi greitis yra ne mažesnis, nei ant produkto nurodytas didžiausias sukimosi greitis.

1. Maitinimo kabelio kištuką ištraukite iš elektros lizdo.
2. Nuvalykite tvirtinimo ir fiksavimo jungę.
3. Tvirtinimo jungę uždėkite tinkama kryptimi.
4. Atidarykite paslankųjį apsauginį gaubtą.
5. Uždėkite naują pjovimo diską.
6. Tinkama kryptimi uždėkite išorinę fiksavimo jungę.
7. Įstatykite fiksavimo varžtą.
8. Į pjovimo disko fiksavimo varžtą įstatykite vidinį šešiabriaunį raktą.
9. Pritvirtinkite fiksavimo jungę, fiksavimo varžtą sukdami pagal laikrodžio rodyklę. Tuo metu viena ranka laikykite nuspaustą veleno fiksavimo mygtuką.
10. Prieš naudodami, patikrinkite, ar pjovimo diskas tinkamai ir patikimai pritvirtintas.

5.3 Pjovimo gylio nustatymas

1. Maitinimo kabelio kištuką ištraukite iš elektros lizdo.
2. Atlaisvinkite pjovimo gylio nustatymo įtaiso užspaudimo svirtį.
3. Diskinį pjūklą pakelkite kirpimo formos judesiu ir nustatykite pjovimo gylį.
 - ↳ Pjovimo gylis rodomas pjovimo gylio skalėje.



Kad pjūvio briauna būtų švari, pjovimo gylis turi būti 2 mm didesnis už medžiagos storį.

4. Užfiksukite pjovimo gylio nustatymo įtaiso užspaudimo svirtį.

5.4 Pjovimo kampo nustatymas

1. Maitinimo kabelio kištuką ištraukite iš elektros lizdo.
2. Atleiskite nustatyto pjovimo kampo užspaudimo svirtį.
3. Pagrindo plokštę pasukite norimu pjovimo kampu.
 - ↳ Pjovimo kampas rodomas pjovimo kampo skalėje.



4. Priveržkite nustatyto pjovimo kampo užspaudimo svirtį.

5.5 Žymėjimo linijos rodyklė

Ant diskinio pjūklo priekinės pagrindo plokštės yra žymėjimo linijos rodyklė, skirta tiek tiesiems, tiek ir įstrižiesiems pjūviams (0° ir 45°). Ji leidžia, priklausomai nuo pasirinkto pjovimo kampo, pajuti preciziškus pjūvius. Žymėjimo linijos kraštas atitinka pjovimo disko vidinę pusę. Žymėjimo linijos rodyklė yra pjovimo disko priekinėje išpjovoje.

5.5.1 Pjovimas pagal žymėjimo liniją 7



Pritvirtinkite ruošinį, kad nepasislinktų.

Ruošinį padėkite tokioje padėtyje, kad po juo pjovimo diskas galėtų laisvai sukis.

Išitinkinkite, kad prietaiso jungiklis yra išjungtas.

Uždėkite diskinį pjūklą pagrindo plokšte ant ruošinio taip, kad pjovimo diskas dar neliestų ruošinio.

1. Diskinį pjūklą įjunkite.
2. Diskinį pjūklą tinkamu darbinio greičiu stumkite per ruošinį išilgai žymėjimo linijos.

5.6 Pjovimas su lygiagrečiąja atrama 8

Naudojant vieno peties lygiagrečiąją atramą, galima atlikti tikslius pjūvius išilgai ruošinio briaunos arba išpjauti vienodų matmenų juostas. Lygiagrečiąją atramą galima montuoti abiejose pagrindo plokštės pusėse.

Dvipetė lygiagrečioji atrama naudojama tik su didele pagrindo plokšte.

Montuojant lygiagrečiąją atramą stebėti, kad ji būtų tinkamai orientuota.

5.7 Pjovimas su kreipiančiąja liniuote.

Pjaunant su kreipiančiąja liniuote, galima sumažinti atatrakos kilimo tikimybę.

5.7.1 Diskinio pjūklo įdėjimas į kreipiančiosios liniuotės adapterį ir išėmimas 9



Pjūklams su maža pagrindo plokšte naudokite kreipiančiosios liniuotės adapterį, tinkantį kreipiančiajai liniuotei.

1. Jei yra sumontuota lygiagrečioji atrama, nuimkite ją.
2. Pagrindo plokštę įstatykite į kreipiančiosios liniuotės adapterio galines laikančiąsias pertvaras.
3. Pagrindo plokštę priekyje visiškai įstatykite į kreipiančiosios liniuotės adapterį. Pagrindo plokštė turi visiškai užsifikuoti priekinėje laikančiojoje pertvaroje.
4. Norėdami išimti, patraukite priekinę laikančiąją pertvarą šiek tiek į priekį ir diskinį pjūklą išimkite iš kreipiančiosios liniuotės adapterio.

5.7.2 Išilginiai pjūviai 0° kampu 10

- ▶ Uždėkite diskinį pjūklą taip, kad griovelio „0°“ žyma būtų ant kreipiančiosios liniuotės pertvaros.

5.7.3 Išilginiai pjūviai iki 50° kampu 11



ATSARGIAI

Galima žala Įdėjus pjūklą į netinkamą griovelį, pjovimo diskas gali liesti kreipiančiąją liniuotę.

- ▶ Įstatykite pjūklą į tinkamą griovelį.
- ▶ Uždėkite pjūklą taip, kad griovelio „1°-50°“ žyma būtų ant kreipiančiosios liniuotės pertvaros.

5.7.4 Pjovimas naudojant kreipiančiąją liniuotę 12

1. Kreipiančiąją liniuotę iš apačios pritvirtinkite dviem sraigtiniais veržtuvais.
2. Diskinį pjūklą uždėkite numatytoje uždėjimo zonoje ant kreipiančiosios liniuotės. Išilginiams pjūviams, kai pjovimo kampas 20–50°, apsauginį gaubtą atidarykite rankiniu būdu.



Diskinis pjūklas turi būti uždėtas ant kreipiančiosios liniuotės už ruošinio.

Kontroliuokite, kad pjovimo diskas neliestų ruošinio.

3. Diskinį pjūklą įjunkite.



4. Diskinį pjūklą tolygiai stumkite per ruošinį.

- ↳ Kai pjovimo kampas mažesnis nei 20°, paslankusis apsauginis gaubtas atsидaro, liedsdamasis su šonine atidarymo briauna.
- ↳ Jis vėl užsidaro kreipiančiosios liniuotės gale, kai mašina išstumama iš pjovimo zonos.

5.8 Pjovimas su pjuvenų nusiurbimu ir be jo

Diskinis pjūklas turi prijungimo atvamzdį, prie kurio galima jungti plačiai naudojamas 27 mm skersmens siurblių žarnas. Dulkių siurblio žarnai sujungti su diskiniu pjūklu gali tekti naudoti tinkamą adapterį.

Pagal galimybes visada naudokite tinkamą mobilųjį dulkių gaudymo įtaisą medienai arba medienai ir mineralinėms medžiagoms.

Jeigu dirbate be pjuvenų nusiurbimo, išmetimo kryptį sukdami atvamzdį pasirinkite tokią, kad pjuvenos būtų nukreipiamos nuo Jūsų.



Visada naudokite P2 filtravimo klasės kvėpavimo takus saugančią kaukę ir visada pasirinkite pakankama ventilaciją, kad dulketumas būtų kiek įmanoma mažesnis.

6 Priežiūra ir einamasis remontas

6.1 Priežiūra ir einamasis remontas

ĮSPĖJIMAS

Pavojų kelia elektros smūgis! Priežiūra ir einamasis remontas, kai maitinimo kabelio kištukas įstatytas į elektros lizdą, gali tapti sunkių sužalojimų ir nudegimų priežastimi.

- ▶ Prieš pradėdami bet kokius priežiūros ir einamojo remonto darbus, maitinimo kabelio kištuką ištraukti iš elektros lizdo!

Priežiūra

- Atsargiai pašalinti prilipusius nešvarumus.
- Vėdinimo plyšius atsargiai išvalyti sausu šepetėliu.
- Korpusą valyti tik šiek tiek sudrėkinta šluoste. Nenaudoti silikono turinčių priežiūros priemonių, nes jos gali pakenkti plastikinėms detalėms.

Einamasis remontas

ĮSPĖJIMAS

Pavojų kelia elektros smūgis! Netinkamas elektrinių komponentų remontas gali tapti sunkių sužalojimų ir nudegimų priežastimi.

- ▶ Remontuoti elektrines įrenginio dalis leidžiama tik kvalifikuotiems elektrikams.
- Reguliariai tikrinti, ar matomos dalys nėra pažeistos ir ar valdymo elementai veikia nepriekaištingai.
- Pažeisto ir / arba turinčio veikimo sutrikimų prietaiso nenaudoti. Nedelsiant kreiptis į **Hilti** techninės priežiūros centrą dėl remonto.
- Baigus techninės priežiūros ir einamojo remonto darbus, sumontuoti visus apsauginius įtaisus ir patikrinti jų veikimą.



Kad eksploatacija būtų patikima, naudokite tik originalias atsargines dalis ir eksploatacines medžiagas. Mūsų aprobuotas atsargines dalis, eksploatacines medžiagas ir reikmenis savo prietaisui rasite vietinėje **Hilti Store** arba tinklalapyje www.hilti.group.

6.2 Tikrinimas po techninės priežiūros ir einamojo remonto darbų



Po techninės priežiūros ir einamojo remonto darbų tikrinkite, ar visi apsauginiai įtaisai yra sumontuoti ir ar tinkamai veikia.

- ▶ Norėdami patikrinti paslankųjį apsauginį gaubtą, jį visiškai atidarykite naudodami valdymo svirtį.
 - ↳ Valdymo svirtį paleidus, paslankusis apsauginis gaubtas turi greitai ir visiškai užsidaryti.



6.3 Pjuvenų kanalo valymas



Jei reikia, valant pjovimo diską reikia išmontuoti.

1. Maitinimo kabelio kištuką ištraukite iš elektros lizdo.
2. Išmontuokite pjovimo diską. → psl. 86
3. Išvalykite pjuvenų kanalą.
4. Sumontuokite pjovimo diską. → psl. 86
5. Patikrinkite, ar besisukančios prietaiso dalys tinkamai veikia ir niekur neklūva, ar nėra sulūžusių ir pažeistų dalių, kurios blogintų prietaiso veikimą.

6.4 Apsauginio įtaiso valymas

1. Išmontuokite pjovimo diską. → psl. 86
2. Apsauginius įtaisus atsargiai valykite sausu šepetėliu.
3. Apsauginių įtaisų viduje susikaupusias apnašas ir pjuvenas šalinkite tinkamu įrankiu.
4. Sumontuokite pjovimo diską. → psl. 86

7 Sutrikimų paieška

Sutrikimas	Galima priežastis	Sprendimas
Prietaisas veikia ne visa galia.	Per ilgas ilginimo kabelis ir / arba per mažas jo laidų skerspjūvio plotas.	► Naudokite leistino ilgio ir / arba pakankamo laidų skerspjūvio ploto ilginimo kabelį.
	Elektros tinkle yra per žema įtampa.	► Prietaisą prijunkite prie kito elektros maitinimo tinklo.
Prietaisas neveikia.	Nutrūko elektros maitinimas.	► Prie tinklo prijunkite kitą elektrinį prietaisą ir patikrinkite jo veikimą.
	Pažeistas elektros maitinimo kabelis arba kištukas.	► Elektros maitinimo kabelį arba kištuką leiskite patikrinti elektrininkui ir, jei reikia, pakeisti Hilti techninės priežiūros centre.
	Jungiklio gedimas.	► Prietaisą pristatykite remontuoti į Hilti techninės priežiūros centrą.
	Susidėvėjo angliniai šepetėliai.	► Prietaisą pristatykite remontuoti į Hilti techninės priežiūros centrą.
Siurblys nesiurbia arba siurbia silpnai.	Užkimštas pjuvenų kanalas.	► Išvalykite pjuvenų kanalą. → psl. 89
Paslankusis apsauginis gaubtas neužsidaro.	Užkimštas apsauginis įtaisas.	► Apsauginį įtaisą išvalykite. → psl. 89
Prietaisas vibruoja stipriau nei paprastai.	Netinkamai sumontuotas pjovimo diskas.	► Išmontuokite ir vėl tinkamai sumontuokite pjovimo diską.

8 Utilizavimas

Hilti prietaisai yra pagaminti iš medžiagų, kurias galima naudoti antrą kartą. Būtina antrinio perdirbimo sąlyga yra tinkamas medžiagų išrūšiuojimas. Daugelyje šalių **Hilti** priims Jūsų nebenaudojamą prietaisą perdirbti. Apie tai galite pasitairauti artimiausiam **Hilti** techninės priežiūros centre arba savo prekybos konsultantui.



- Elektrinių įrankių, elektroninių prietaisų ir akumuliatorių neišmeskite į buitinius šiukšlynus!



9 RoHS (direktyva dėl pavojingų medžiagų naudojimo ribojimo)

Pavojingų medžiagų lentelę rasite spausdami šią nuorodą: qr.hilti.com/r2937786.
Nuorodą į RoHS lentelę rasite kaip QR kodą šios instrukcijos gale.

10 Gamintojo teikiama garantija

- ▶ Kilus klausimų dėl garantijos sąlygų, kreipkitės į vietinį **Hilti** partnerį.



1 Údaje k dokumentaci

1.1 O této dokumentaci

- Před uvedením do provozu si přečtěte tuto dokumentaci. Je to předpoklad pro bezpečnou práci a bezproblémové zacházení.
- Dodržujte bezpečnostní a varovné pokyny uvedené v této dokumentaci a na výrobku.
- Návod k obsluze mějte uložený vždy u výrobku a dalším osobám předávejte výrobek jen s tímto návodem.

1.2 Vysvětlení značek

1.2.1 Varovná upozornění

Varovná upozornění varují před nebezpečím při zacházení s výrobkem. Byla použita následující signální slova:

NEBEZPEČÍ

NEBEZPEČÍ !

- ▶ Používá se k upozornění na bezprostřední nebezpečí, které by mohlo vést k těžkému poranění nebo k smrti.

VÝSTRAHA

VÝSTRAHA !

- ▶ Používá se k upozornění na potenciální nebezpečí, které může vést k těžkým poraněním nebo k smrti.





POZOR

POZOR !

- ▶ Používá se k upozornění na potenciálně nebezpečnou situaci, která by mohla vést k lehkým poraněním nebo k věcným škodám.


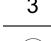
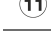

1.2.2 Symboly v dokumentaci

V této dokumentaci byly použity následující symboly:

	Před použitím si přečtěte návod k obsluze.
	Pokyny k používání a ostatní užitečné informace
	Zacházení s recyklovatelnými materiály
	Elektrické nářadí a akumulátory nevyhazujte do smíšeného odpadu.

1.2.3 Symboly na obrázcích

Na obrázcích jsou použity následující symboly:

	Tato čísla odkazují na příslušný obrázek na začátku tohoto návodu.
	Číslování udává pořadí pracovních kroků na obrázku a může se lišit od pracovních kroků v textu.
	Čísla pozic jsou uvedena na obrázku Přehled a odkazují na čísla z legendy v části Přehled výrobku .
	Tato značka znamená, že byste měli manipulaci s výrobkem věnovat zvláštní pozornost.

1.3 Symboly v závislosti na výrobku

1.3.1 Symboly na výrobku

Na výrobku mohou být použity následující symboly:

	Bezdrátový přenos dat
---	-----------------------



n_0	Jmenovité volnoběžné otáčky
	Třída ochrany II (dvojitá izolace)
	Pilový kotouč

1.4 Informace o výrobku

Výrobky jsou určeny pro profesionální uživatele a smí je obsluhovat, ošetřovat a provádět jejich údržbu pouze autorizovaný a instruovaný personál. Tento personál musí být speciálně informován o vyskytujících se nebezpečích, s nimiž by se mohl setkat. Výrobek a jeho pomůcky mohou být nebezpečné, pokud s nimi nesprávně zachází nevyškolený personál nebo pokud se nepoužívají v souladu s určeným účelem.

Typové označení a sériové číslo jsou uvedeny na typovém štítku.

- Poznamenejte si sériové číslo do následující tabulky. Údaje výrobku budete potřebovat při dotazech adresovaných našemu zastoupení nebo servisu.

Údaje o výrobku

Okružní pila	SC 55W
Generace	01
Sériové číslo	

1.5 Prohlášení o shodě

Prohlašujeme na výhradní zodpovědnost, že zde popsaný výrobek je ve shodě s platnými směrnice a normami. Kopii prohlášení o shodě najdete na konci této dokumentace.

Technické dokumentace jsou uloženy zde:

Hilti Entwicklungsgesellschaft mbH | Zulassung Geräte | Hiltistraße 6 | 86916 Kaufering, DE

2 Bezpečnost

2.1 Všeobecné bezpečnostní pokyny pro elektrické nářadí

⚠ VAROVÁNÍ Přečtěte si všechny bezpečnostní pokyny, instrukce, vyobrazení a technické údaje, které patří k tomuto elektrickému nářadí. Nedbalost při dodržování následujících instrukcí může mít za následek úraz elektrickým proudem, požár a/nebo těžká poranění.

Všechny bezpečnostní pokyny a instrukce uschovejte pro budoucí potřebu.

Pojem „elektrické nářadí“, používaný v bezpečnostních pokynech, se vztahuje na elektrické nářadí napájené ze sítě (se síťovým kabelem) nebo na elektrické nářadí napájené z akumulátoru (bez síťového kabelu).

Bezpečnost pracoviště

- **Pracoviště musí být čisté a dobře osvětlené.** Nepořádek nebo neosvětlená místa mohou vést k úrazům.
- **S elektrickým nářadím nepracujte v prostředí s nebezpečím výbuchu, kde se nacházejí hořlavé kapaliny, plyny nebo prach.** Elektrické nářadí jiskří; od těchto jisker se mohou prach nebo páry vznítit.
- **Při práci s elektrickým nářadím zabraňte přístupu dětem a jiným osobám na pracoviště.** Rozptylování pozornosti by mohlo způsobit ztrátu kontroly nad nářadím.

Elektrická bezpečnost

- **Síťová zástrčka elektrického nářadí musí odpovídat zásuvce. Zástrčka nesmí být žádným způsobem upravována. U elektrického nářadí s ochranným uzemněním nepoužívejte žádné adaptéry.** Neupravené zástrčky a odpovídající zásuvky snižují riziko úrazu elektrickým proudem.
- **Nedotýkejte se uzemněných povrchů, např. trubek, topení, sporáků a chladniček.** Při tělesném kontaktu s uzemněným hrozí zvýšené riziko úrazu elektrickým proudem.
- **Elektrické nářadí chraňte před deštěm a vlhkem.** Vniknutí vody do elektrického nářadí zvyšuje nebezpečí úrazu elektrickým proudem.
- **Síťový kabel používejte jen k tomu účelu, pro který je určený. Nepoužívejte ho zejména k nošení či zavěšování elektrického nářadí ani k vytažování zástrčky ze zásuvky. Síťový kabel chraňte před horkem, olejem, ostrými hranami a pohyblivými díly.** Poškozené nebo zamotané síťové kabely zvyšují riziko úrazu elektrickým proudem.
- **Pokud pracujete s elektrickým nářadím venku, používejte pouze takové prodlužovací kabely, které jsou vhodné i pro venkovní použití.** Použití prodlužovacího kabelu, který je vhodný pro venkovní použití, snižuje riziko úrazu elektrickým proudem.



- ▶ **Pokud se nelze vyvarovat provozu elektrického nářadí ve vlhkém prostředí, použijte proudový chránič.** Použití proudového chrániče snižuje riziko úrazu elektrickým proudem.

Bezpečnost osob

- ▶ **Bud'te pozorní, dávejte pozor na to, co děláte, a přistupujte k práci s elektrickým nářadím rozumně.** Elektrické nářadí nepoužívejte, když jste unavení nebo pod vlivem drog, alkoholu či léků. Okamžik nepozornosti při práci s elektrickým nářadím může mít za následek vážná poranění.
- ▶ **Používejte osobní ochranné pomůcky a vždy noste ochranné brýle.** Používání osobních ochranných pomůcek, jako jsou dýchací maska proti prachu, bezpečnostní obuv s protiskluzovou podrážkou, ochranná helma nebo chrániče sluchu (podle druhu použití elektrického nářadí), snižuje riziko úrazu.
- ▶ **Zabraňte neúmyslnému uvedení do provozu. Před zapojením elektrického nářadí do sítě a/nebo vložením akumulátoru, před uchopením elektrického nářadí nebo jeho přenášením se ujistěte, že je vypnuté.** Držíte-li při přenášení elektrického nářadí prst na spínači nebo připojujete-li ho k síti zapnuté, může dojít k úrazu.
- ▶ **Dříve než elektrické nářadí zapnete, odstraňte seřizovací nástroje nebo klíč.** Nástroj nebo klíč ponechaný v otáčivém dílu nářadí může způsobit úraz.
- ▶ **Udržujte přirozené držení těla. Zajměte bezpečný postoj a udržujte rovnováhu.** Tak si v nečekaných situacích zachováte lepší kontrolu nad výrobkem.
- ▶ **Noste vhodné oblečení. Nenoste volný oděv ani šperky. Vlasy, oděv a rukavice mějte v bezpečné vzdálenosti od pohybujících se dílů.** Volný oděv, šperky a dlouhé vlasy jimi mohou být zachyceny.
- ▶ **Pokud lze namontovat odsávání prachu nebo zařízení na zachycení prachu, zkontrolujte, zda jsou připojené a používají se správně.** Použitím odsávání prachu můžete snížit ohrožení vlivem prachu.
- ▶ **Nenechte se ukolébát falešným pocitem bezpečí a nepřekračujte bezpečnostní pravidla pro elektrické nářadí, i když jste po mnohonásobném použití s elektrickým nářadím dobře seznámeni.** Nepozorné jednání může ve zlomcích sekundy způsobit těžká zranění.

Použití elektrického nářadí a péče o něj

- ▶ **Nářadí nepřetěžujte. Pro danou práci použijte elektrické nářadí, které je pro ni určené.** S vhodným elektrickým nářadím budete v dané výkonové oblasti pracovat lépe a bezpečněji.
- ▶ **Nepoužívejte elektrické nářadí s vadným spínačem.** Elektrické nářadí, které nelze zapnout nebo vypnout, je nebezpečné a musí se opravit.
- ▶ **Dříve než budete nářadí seřizovat, měnit jeho příslušenství nebo než ho odložíte, vytáhněte síťovou zástrčku ze zásuvky a/nebo vyjměte odnímatelný akumulátor.** Toto preventivní opatření zabrání neúmyslnému zapnutí elektrického nářadí.
- ▶ **Nepoužívané elektrické nářadí uchovávejte mimo dosah dětí. Nedovoľte, aby nářadí používaly osoby, které s ním nejsou seznámené nebo si nepřečetly tyto pokyny.** Elektrické nářadí je nebezpečné, když ho používají nezkušené osoby.
- ▶ **O elektrické nářadí a příslušenství se pečlivě starajte. Kontrolujte, zda pohyblivé díly bezvadně fungují a nevážnou, zda díly nejsou prasklé nebo poškozené tak, že by byla narušena funkce elektrického nářadí. Poškozené díly nechte před použitím nářadí opravit.** Mnoho úrazů má na svědomí nedostatečná údržba elektrického nářadí.
- ▶ **Řezné nástroje udržujte ostré a čisté.** Pečlivě ošetřované řezné nástroje s ostrými řeznými hranami méně vážnou a dají se lehčeji vést.
- ▶ **Elektrické nářadí, příslušenství, nástroje atd. používejte v souladu s těmito instrukcemi. Respektujte přitom pracovní podmínky a prováděnou činnost.** Použití elektrického nářadí k jinému účelu, než ke kterému je určeno, může být nebezpečné.
- ▶ **Rukojeti a plochy rukojetí udržujte suché, čisté a beze stop oleje a tuku.** Kluzké rukojeti a plochy rukojetí nedovolují bezpečné ovládnání a kontrolu elektrického nářadí v nepředvídaných situacích.

Servis

- ▶ **Elektrické nářadí svěřujte do opravy pouze kvalifikovaným odborným pracovníkům, kteří mají k dispozici originální náhradní díly.** Tak zajistíte, že elektrické nářadí bude i po opravě bezpečné.

2.2 Bezpečnostní pokyny pro všechny typy pil

Proces řezání

- ▶ **⚠ NEBEZPEČÍ: Nikdy nedávejte ruce do oblasti řezání a k pilovému kotouči. Druhou rukou držte nářadí za přidavnou rukojeť nebo za kryt motoru.** Budete-li pilu držet oběma rukama, nemůže dojít k jejich poranění pilovým kotoučem.
- ▶ **Nesahejte pod obrobek.** Pod obrobkem vás ochranný kryt nemůže před pilovým kotoučem chránit.
- ▶ **Hloubku řezu přizpůsobte tloušťce obrobku.** Pod obrobkem by mělo být vidět méně než plnou výšku zuby.



- ▶ **Při řezání nikdy nedržte obrobek v ruce ani přes nohu, ale vždy ho zajistěte do stabilního upnutí.** Je důležité obrobek dobře upevnit, aby se minimalizovalo nebezpečí tělesného kontaktu, uváznutí pilového kotouče nebo ztráty kontroly nad nářadím.
- ▶ **Při práci, při níž nástroj může zasáhnout skryté elektrické rozvody nebo vlastní síťový kabel, držte elektrické nářadí jen za izolované rukojeti.** Kontakt s vedením pod proudem by uvedl pod napětí i kovové díly elektrického nářadí, což by mohlo způsobit úraz elektrickým proudem.
- ▶ **U podélných řezů používejte vždy doraz nebo přímé vedení podél hrany.** Zlepšuje se tím přesnost řezu a snižuje možnost uváznutí pilového kotouče.
- ▶ **Používejte vždy pilové kotouče správné velikosti a s odpovídajícím upínacím otvorem (např. hvězdicovým nebo kruhovým).** Pilové kotouče, které upínání pily přesně neodpovídají, se točí nepravidelně, což vede ke ztrátě kontroly nad nářadím.
- ▶ **Nikdy nepoužívejte poškozené nebo nesprávné podložky pilového kotouče nebo upínací šrouby.** Podložky pilového kotouče a upínací šrouby jsou speciálně konstruovány pro danou pilu, pro její optimální výkon a provozní bezpečnost.

Zpětný ráz – příčiny a příslušné bezpečnostní pokyny

- Zpětný ráz je náhlá reakce způsobená špatně vyrovnaným pilovým kotoučem, jeho zaseknutím nebo uváznutím, která má za následek, že se pila nekontrolovaně nadzvedne a pohybuje se z obrobku ven směrem k pracovníkovi;
- když se pilový kotouč ve svírajícím se řezu zasekne nebo uváže, zablokuje se a síla motoru pily vymrští směrem k pracovníkovi;
- když se pilový kotouč v řezu natočí nebo když je špatně vyrovnaný, mohou se zuby na zadní straně kotouče zaseknout v povrchu obrobku, čímž se pilový kotouč z řezu vymrští a pila vyskočí zpátky směrem k pracovníkovi.

Zpětný ráz je důsledkem nesprávného nebo chybného použití pily. Lze mu zabránit vhodnými bezpečnostními opatřeními, popsány dále.

- ▶ **Pilu držte pevně oběma rukama a v takové poloze paží, abyste dokázali vzdorovat silám zpětného rázu. Stůjte vždy stranou od pilového kotouče tak, aby s ním tělo nebylo nikdy v přímé čáře.** Při zpětném rázu se okružní pila může vymrští dozadu, pomocí vhodných preventivních opatření může ovšem pracovník síly zpětného rázu zvládnout.
- ▶ **Pokud pilový kotouč uváže nebo když přerušíte práci, pilu vypněte a držte ji v klidu v obrobku, dokud se kotouč nezastaví. Nikdy se nesazte pilu z obrobku vyjmout nebo ji táhnout směrem zpět, dokud se pilový kotouč pohybuje, neboť může dojít ke zpětnému rázu.** Zjistíte a odstraňte příčinu uváznutí pilového kotouče.
- ▶ **Chcete-li pilu, která uvázla v obrobku, znovu spustit, vyrovnejte pilový kotouč v řezu a zkontrolujte, zda pilové zuby nejsou v obrobku zakousnuté.** Když se pilový kotouč zakousne, může se při dalším spuštění začít pohybovat z obrobku ven nebo způsobit zpětný ráz.
- ▶ **Aby se snížilo riziko zpětného rázu vyvolaného uváznutím pilového kotouče, velké desky při řezání podepřete.** Velké desky se mohou vlastní hmotností prohnout. Proto desky musí být podepřené na obou stranách, a to jak v blízkosti řezu, tak na krajích.
- ▶ **Nepoužívejte otupené ani poškozené pilové kotouče.** Pilové kotouče s tupými nebo špatně rozvedenými zuby vytvářejí jen úzký řez, ve kterém dochází k silnému tření a snadno v něm může dojít k uváznutí pilového kotouče a ke zpětnému rázu.
- ▶ **Než začnete řezat, utáhněte aretace nastavení hloubky řezu a úhlu řezu.** Kdyby při řezání došlo ke změně nastavení, pilový kotouč by mohl uváznout a tím způsobit zpětný ráz.
- ▶ **Zvlášť opatrní buďte při řezání do stávajících stěn nebo v jiných oblastech, kde není vidět na druhou stranu řezu.** Zanořující se pilový kotouč by mohl při řezání narazit na skryté objekty, zablokovat se a vyvolat zpětný ráz.

Funkce spodního ochranného krytu

- ▶ **Před každým použitím zkontrolujte, zda se spodní ochranný kryt bezchybně zavírá. Není-li spodní ochranný kryt volně pohyblivý a nezavírá-li se okamžitě, pilu nepoužívejte. Spodní ochranný kryt nikdy nezajistíte v otevřené poloze svěrkou nebo úvazkem.** Kdyby pila nedopatřením spadla na zem, mohl by se spodní ochranný kryt ohnout. Otevřete ochranný kryt páčkou a přesvědčte se, že se pohybuje volně a při libovolném úhlu i hloubce řezu se nedotýká ani pilového kotouče, ani jiných dílů.
- ▶ **Zkontrolujte funkci zavírací pružiny spodního ochranného krytu. Nevykazují-li spodní ochranný kryt a pružina dokonalou funkci, nechte pilu před použitím opravit.** Poškozené díly, lepidlo usazeniny nebo nahromaděné piliny mohou reakci spodního ochranného krytu zpozdit.
- ▶ **Spodní ochranný kryt otvírejte ručně jen tehdy, když se jedná o zvláštní druhy řezů, jako jsou „zanořovací a úhlové řezy“.** Spodní ochranný kryt otvírejte pomocí páčky a uvolněte ji, jakmile se pilový kotouč zanoří do obrobku. Při jakémkoliv jiném řezání se musí spodní ochranný kryt pohybovat automaticky.



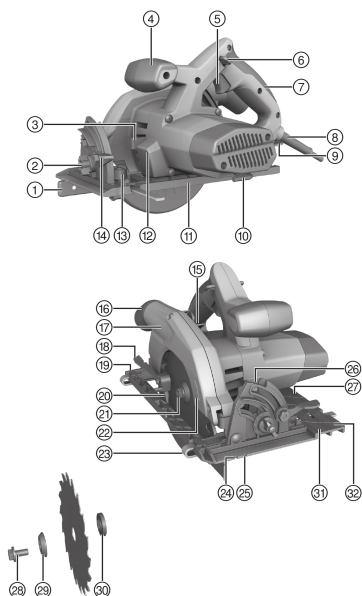
- **Pilu nepokládejte na pracovní stůl ani na podlahu, pokud spodní ochranný kryt pilový kotouč nekryje.** Nekrytý dobíhající pilový kotouč žene pilu proti směru řezu a řeže vše, co mu leží v cestě. Nezapomínejte na dobu doběhu pily.

2.3 Doplňující bezpečnostní pokyny pro okružní pily

- Ruční okružní pilu ved'te proti obrobku jen v zapnutém stavu.
 - ↳ V dráze řezu nesmí být nahoře ani dole žádné překážky. Neřežte do šroubů, hřebíků a podobně.
- S okružní pilou nikdy nepracujte nad hlavou.
- Pilový kotouč nikdy nebrzdíte bočním tlakem.
- Zabraňte přehřívání hrotů zubů pilového kotouče.
- Při řezání plastu je třeba zabránit tavení plastu.
- Používejte vždy pilový kotouč, který se hodí pro řezaný materiál.
- Používejte výhradně pilové kotouče doporučené firmou Hilti, které splňují normu EN 847-1.

3 Popis

3.1 Přehled výrobku 1



- ① Paralelní doraz jednoramenný
- ② Přednastavení pro úhel řezu
- ③ Aretační tlačítko vřetena
- ④ Přídavná rukojeť
- ⑤ Vypínač
- ⑥ Pojistka proti zapnutí
- ⑦ Rukojeť
- ⑧ Síťový kabel
- ⑨ Aretační páčka pro nastavení hloubky řezu
- ⑩ Inbusový klíč
- ⑪ Základní deska malá
- ⑫ LED osvětlení
- ⑬ Aretační páčka pro paralelní doraz vpředu
- ⑭ Aretační páčka pro nastavení úhlu řezu
- ⑮ Stupnice hloubky řezu
- ⑯ Připojovací hrdlo (vysavač)
- ⑰ Ochranný kryt
- ⑱ Páčka výkyvného ochranného krytu
- ⑲ Aretační páčka pro paralelní doraz vzadu (pouze pro velkou základní desku)
- ⑳ Výkyvný ochranný kryt
- ㉑ Hnací vřeteno
- ㉒ Šipka směru otáčení
- ㉓ Paralelní doraz dvouramenný
- ㉔ Ryska řezu 0°
- ㉕ Ryska řezu 45°
- ㉖ Stupnice úhlu řezu
- ㉗ Velká základní deska
- ㉘ Upínací šroub
- ㉙ Vnější upínací příruba
- ㉚ Vnitřní upínací příruba
- ㉛ Ryska drážky 0° základní deska
- ㉜ Ryska drážky 1° – 50° základní deska

3.2 Přehled adaptéru pro vodící lištu 2

- ㉛③ Upevňovací výstupky zadní
- ㉛④ Upevňovací výstupky přední



3.3 Použití v souladu s určeným účelem

Popsaný výrobek je okružní pila. Je určená pro řezání dřeva nebo materiálů podobných dřevu, plastu, sádrokartonu, sádrovláknitých desek a kompozitních materiálů do hloubky řezu 55 mm a dále pro pokosové řezy až 50°.

3.3.1 Možné nesprávné použití

Nesmějí se používat pilové kotouče, které neodpovídají údajům v části Technické údaje, rozbrušovací kotouče, brusné kotouče, ani pilové kotouče z vysokolegované rychlořezné oceli (HSS). Nesmějí se řezat kovy.

3.4 Obsah dodávky

Okružní pila, pilový kotouč, inbusový klíč, paralelní doraz, návod k obsluze.

Pro bezpečný provoz použijte pouze originální náhradní díly a spotřební materiál. Námi schválené náhradní díly, spotřební materiál a příslušenství pro svůj výrobek najdete v **Hilti Store** nebo na: www.hilti.group.

4 Technické údaje

4.1 Technické údaje

Jmenovité napětí, jmenovitý proud, frekvenci a jmenovitý příkon najdete na typovém štítku určeném pro vaši zemi.

Při provozu s generátorem nebo transformátorem musí být jeho výstupní výkon minimálně dvojnásobný, než je jmenovitý příkon uvedený na typovém štítku nářadí. Provozní napětí transformátoru nebo generátoru musí být neustále v rozmezí +5 % až -15 % jmenovitého napětí nářadí.

Hmotnost, malá základní deska	4,5 kg
Hmotnost, velká základní deska	4,7 kg
Průměr pilového kotouče	160 mm ... 165 mm
Tloušťka těla pilového kotouče	1,1 mm ... 1,5 mm
Upínací otvor pilového kotouče	20 mm
Hloubka řezu při 0°	0 mm ... 55 mm
Hloubka řezu při 45°	0 mm ... 41 mm
Hloubka řezu při 50°	0 mm ... 37 mm
Volnoběžné otáčky	5 500 ot/min

4.2 Informace o hlučnosti a hodnoty vibrací podle EN 62841

Hodnoty akustického tlaku a vibrací uvedené v těchto pokynech byly změřeny normovanou měřicí metodou a lze je použít k vzájemnému srovnání elektrického nářadí. Jsou vhodné také pro předběžný odhad působení. Uvedené údaje reprezentují hlavní použití elektrického nářadí. Při jiném způsobu použití, při použití s jinými nástroji nebo nedostatečné údržbě se údaje mohou lišit. Působení během celé pracovní doby se tím může výrazně zvýšit.

Pro přesný odhad působení je potřeba brát v úvahu také dobu, kdy je nářadí vypnuté nebo sice běží, ale nepoužívá se. Působení během celé pracovní doby se tím může výrazně snížit.

Stanovte doplňující bezpečnostní opatření na ochranu pracovníka před působením hluku a/nebo vibrací, například: údržbu elektrického nářadí a nástrojů, udržování rukou v teple, organizace pracovních postupů.

Informace o hlučnosti

Hladina akustického výkonu (L_{WA})	101 dB(A)
Hladina akustického tlaku (L_{pA})	90 dB(A)
Nejistota	3 dB(A)



Informace o vibracích

	230 V	110 V
Triaxiální hodnota vibrací při řezání dřeva (a_{hv})	1,77 m/s ² (5,81 ft/s ²)	2,12 m/s ² (6,96 ft/s ²)
Nejistota (K)	1,5 m/s ²	1,5 m/s ²

5 Obsluha

5.1 Demontáž pilového kotouče 3

VÝSTRAHA

Nebezpečí popálení Nebezpečí způsobené horkým nástrojem, upínací přírubou nebo upínacím šroubem a ostrými hranami pilového kotouče.

► Při výměně nástroje používejte ochranné rukavice.

1. Vytáhněte síťovou zástrčku ze zásuvky.
2. Nasadte inbusový klíč na upevňovací šroub pilového kotouče.
3. Stiskněte aretační tlačítko vřetena a držte ho stisknuté.
4. Inbusovým klíčem otáčejte upínacím šroubem pilového kotouče, dokud aretační kolík úplně nezaskočí.
5. Povolte upevňovací šroub dalším inbusovým klíčem ve směru šipky směru otáčení.
6. Vyšroubujte upínací šroub a sejměte vnější upínací přírubu.
7. Odklopením otevřete výkyvný ochranný kryt a sejměte pilový kotouč.



V případě potřeby lze vnitřní upínací přírubu kvůli vyčištění sejmout.

5.2 Montáž pilového kotouče 4

POZOR

Nebezpečí poškození Nevhodné nebo špatně nasazené pilové kotouče mohou pilu poškodit.

► Používejte pouze pilové kotouče, které jsou vhodné pro tuto pilu. Řiďte se podle šipky směru otáčení na pilovém kotouči.

► Používejte pouze pilové kotouče, jejichž přípustné otáčky jsou alespoň tak vysoké, jako jsou maximální otáčky uvedené na výrobku.

1. Vytáhněte síťovou zástrčku ze zásuvky.
2. Vyčistěte obě upínací příruby.
3. Nasuňte vnitřní upínací přírubu se správnou orientací.
4. Otevřete výkyvný ochranný kryt.
5. Nasadte nový pilový kotouč.
6. Nasuňte vnější upínací přírubu se správnou orientací.
7. Nasadte upevňovací šroub.
8. Nasadte inbusový klíč na upínací šroub pilového kotouče.
9. Upínací šroub zašroubujte po směru hodinových ručiček a upevněte tak upínací přírubu. Přitom držte jednou rukou stisknuté aretační tlačítko vřetena.
10. Před uvedením do provozu zkontrolujte, zda je pilový kotouč pevně a správně nasazený.

5.3 Nastavení hloubky řezu 5

1. Vytáhněte síťovou zástrčku ze zásuvky.
2. Uvolněte aretační páčku nastavení hloubky řezu.
3. Nazdvihněte okružní pilu nůžkovým pohybem a nastavte hloubku řezu.
 - ↳ Hloubka řezu je zobrazená na stupnici hloubky řezu.



Pro čistou řeznou hranu by měla hloubka řezu odpovídat tloušťce materiálu plus 2 mm.

4. Upevněte aretační páčku pro nastavení hloubky řezu.



5.4 Nastavení úhlu řezu

1. Vytáhněte síťovou zástrčku ze zásuvky.
2. Uvolněte aretační páčku nastavení úhlu řezu.
3. Naklopte základní desku do požadovaného úhlu řezu.
 - ↳ Úhel řezu se zobrazí na stupnici úhlu řezu.
4. Aretační páčku nastavení úhlu řezu utáhněte.

5.5 Ukazatel nárysu

Vpředu na základní desce okružní pily je ryska jak pro přímé, tak i pro šikmé řezy (0° a 45°). Tak lze provádět přesné řezy podle zvoleného úhlu. Ryska odpovídá vnitřní straně pilového kotouče. Ryska se nachází na předním výřezu pro pilový kotouč.

5.5.1 Řezání podle rysky



Zajistěte obrobek proti posunutí.

Obrobek umístěte tak, aby byl pilový kotouč pod obrobkem volný.

Zkontrolujte, zda je vypínač výrobku vypnutý.

Nasaďte okružní pilu základní deskou na obrobek tak, aby se pilový kotouč ještě nedotýkal obrobku.

1. Zapněte okružní pilu.
2. Vedte okružní pilu obrobkem vhodnou rychlostí podél rysky.

5.6 Řezání s paralelním dorazem

Jednoramenný paralelní doraz umožňuje vést přesné řezy podél hrany obrobku, příp. řezání lišt stejných rozměrů. Paralelní doraz lze namontovat na obou stranách základní desky.

Dvouramenný paralelní doraz lze používat pouze s velkou základní deskou.

Při montáži paralelního dorazu dbejte na správnou orientaci.

5.7 Řezání s vodící lištou

Při řezání s vodící lištou je menší pravděpodobnost výskytu zpětného rázu.

5.7.1 Nasazení okružní pily na adaptér pro vodící lištu/vyjmutí nářadí z adaptéru pro vodící lištu



Při řezání s malou základní deskou používejte adaptér pro vodící lištu, který je vhodný pro vodící lištu.

1. Odstraňte případně namontovaný paralelní doraz.
2. Nasaďte základní desku do zadních upevňovacích výstupků adaptéru pro vodící lištu.
3. Nasaďte základní desku vpředu úplně do adaptéru pro vodící lištu. Základní deska musí úplně zaskočit do předního upevňovacího výstupku.
4. Pro vyjmutí zatáhněte přední upevňovací výstupek mírně dopředu a sejměte okružní pilu z adaptéru pro vodící lištu.

5.7.2 Podélné řezy při 0°

- ▶ Nasaďte okružní pilu ryskou drážky "0°" na kolejničku vodící lišty.

5.7.3 Podélné řezy pod úhlem až 50°

POZOR

Nebezpečí poškození Při nasazení pily do špatné drážky dojde ke kolizi pilového kotouče a vodící lišty.

- ▶ Nasaďte pilu do správné drážky.

- ▶ Nasaďte pilu ryskou drážky "1°-50°" na kolejničku vodící lišty.

5.7.4 Řezání s vodící lištou

1. Upevněte vodící lištu zespodu pevně dvěma šroubovými truhlářskými svěrkami.



- Nasadte okružní pilu na vodící lištu v místě nasazení. Pro podélné řezy při úhlech 20°–50° manuálně otevřete ochranný kryt.



Okružní pila se musí na vodící lištu nasadit za obrobek.
Dbejte na to, aby se pilový kotouč nedotýkal obrobku.

- Zapněte okružní pilu.
- Posouvajte okružní pilu rovnoměrně přes obrobek.
 - Výkyvný ochranný kryt se otevře při úhlech řezu menších než 20° při kontaktu s boční hranou odřezku.
 - Když pila na konci vodící lišty vyjede, kryt se opět uzavře.

5.8 Řezání s odsáváním třísek a bez odsávání třísek

Okružní pila je vybavená připojovacím hrdlem, které je dimenzované pro běžné odsávací hadice o průměru = 27 mm. Pro spojení hadice vysavače s okružní pilou může být nutný vhodný adaptér.

Používejte pokud možno vždy vhodný mobilní vysavač na dřevo nebo dřevo a minerální materiály.

Pokud pracujete bez odsávání prachu, otočením zvolte směr vyhazování tak, aby byly třísky odváděny směrem od vás.



Zásadně používejte respirátor s filtrem třídy P2 a zajistěte vždy dostatečné větrání, aby bylo negativní působení prachu minimální.

6 Ošetřování a údržba

6.1 Ošetřování a údržba



VÝSTRAHA

Nebezpečí úrazu elektrickým proudem! Provádění ošetřování a údržby se zapojenou síťovou zástrčkou může mít za následek těžká poranění a popáleniny.

- Před veškerým ošetřováním a údržbou vždy vytáhněte síťovou zástrčku!

Ošetřování

- Opatrně odstraňte ulpívající nečistoty.
- Ventilací štěrbinu očistěte opatrně suchým kartáčem.
- Kryt čistěte pouze mírně navlhčeným hadrem. Nepoužívejte ošetřovací prostředky s obsahem silikonu, aby nedošlo k poškození plastových částí.

Údržba



VÝSTRAHA

Nebezpečí úrazu elektrickým proudem! Neodborné opravy elektrických součástí mohou způsobit těžká poranění a popáleniny.

- Opravy na elektrických částech smí provádět pouze odborník s elektrotechnickou kvalifikací.
- Pravidelně kontrolujte všechny viditelné díly, zda nejsou poškozené, a ovládací prvky, zda správně fungují.
- V případě poškození a/nebo poruchy funkce výrobek nepoužívejte. Nechte ho ihned opravit v servisu **Hilti**.
- Po ošetřování a údržbě nasadte všechna ochranná zařízení a zkontrolujte funkci.



Pro bezpečný provoz používejte pouze originální náhradní díly a spotřební materiál. Námí schválené náhradní díly, spotřební materiál a příslušenství pro svůj výrobek najdete v **Hilti Store** nebo na: www.hilti.group.

6.2 Kontrola po čištění a údržbě



Po čištění a údržbě zkontrolujte, zda jsou připevněná veškerá ochranná zařízení a zda bezvadně fungují.

- Pro kontrolu výkyvného ochranného krytu ho úplně otevřete stisknutím ovládací páčky.
 - Po uvolnění ovládací páčky se musí výkyvný ochranný kryt rychle a úplně zavřít.



6.3 Čištění kanálu pro odvod třísek

Případně musíte pilový kotouč při čištění demontovat.

1. Vytáhněte síťovou zástrčku ze zásuvky.
2. Demontujte pilový kotouč. → Strana 97
3. Vyčistěte kanál pro odvod třísek.
4. Namontujte pilový kotouč. → Strana 97
5. Zkontrolujte, zda pohyblivé díly nářadí bezvadně fungují a neváznou, zda díly nejsou zlomené nebo poškozené tak, že je narušena jeho funkce.

6.4 Čištění ochranných zařízení

1. Demontujte pilový kotouč. → Strana 97
2. Ochranná zařízení vyčistěte opatrně suchým kartáčem.
3. Vhodným nástrojem odstraňte usazeniny a třísky uvnitř ochranných zařízení.
4. Namontujte pilový kotouč. → Strana 97

7 Odstraňování poruch

Porucha	Možná příčina	Řešení
Nářadí nemá plný výkon.	Prodlužovací kabel příliš dlouhý a/nebo o malém průřezu.	► Použijte prodlužovací kabel s přípustnou délkou a/nebo dostatečným průřezem.
	Zdroj napájení má příliš malé napětí.	► Připojte nářadí k jinému zdroji napájení.
Nářadí nefunguje.	Přerušené napájení.	► Zapojte jiné elektrické zařízení a zkontrolujte funkci.
	Síťový kabel nebo zástrčka jsou vadné.	► Síťový kabel nebo zástrčku nechte zkontrolovat elektrikářem a případně vyměnit v servisu Hilti .
	Vypínač je vadný.	► Nechte výrobek opravit v servisu Hilti .
	Opotřebované uhlíky.	► Nechte výrobek opravit v servisu Hilti .
Žádný nebo snížený sací výkon.	Ucpaný kanál pro odvod třísek.	► Vyčistěte kanál pro odvod třísek. → Strana 100
Výkyvný ochranný kryt se nezavírá.	Ucpané ochranné zařízení.	► Vyčistěte ochranné zařízení. → Strana 100
Nářadí vibruje více než obvykle.	Nesprávně namontovaný pilový kotouč.	► Demontujte pilový kotouč a namontujte ho znovu správně.

8 Likvidace

Nářadí **Hilti** je vyrobené převážně z recyklovatelných materiálů. Předpokladem pro recyklaci materiálů je jejich řádné třídění. V mnoha zemích odebírá **Hilti** staré nářadí k recyklaci. Informujte se v servisu **Hilti** nebo u prodejního poradce.



- Nevyhazujte elektrické nářadí, elektronická zařízení a akumulátory do smíšeného odpadu!

9 RoHS (směrnice o omezení používání nebezpečných látek)

Pod následujícím odkazem najdete tabulku s nebezpečnými látkami: qr.hilti.com/r2937786. Odkaz na tabulku RoHS najdete na konci této dokumentace jako QR kód.



10 Záruka výrobce

- ▶ V případě otázek ohledně záručních podmínek se obraťte na místního partnera **Hilti**.



1 Údaje k dokumentácii

1.1 O tejto dokumentácii

- Pred uvedením do prevádzky si prečítajte túto dokumentáciu. Je to predpoklad na bezpečnú prácu a bezproblémovú manipuláciu.
- Dodržujte bezpečnostné pokyny a varovania v tejto dokumentácii a na produkte.
- Tento návod na obsluhu uchovávajte vždy s výrobkom a ďalším osobám odovzdávajte výrobok iba s týmto návodom.

1.2 Vysvetlenie značiek

1.2.1 Výstražné upozornenia

Výstražné upozornenia varujú pred rizikami pri zaobchádzaní s výrobkom. Používajú sa nasledujúce signálne slová:

NEBEZPEČENSTVO

NEBEZPEČENSTVO !

- ▶ Na označenie bezprostredne hroziaceho nebezpečenstva, ktoré môže spôsobiť ťažký úraz alebo smrť.

VAROVANIE

VAROVANIE !

- ▶ Označenie možného hroziaceho nebezpečenstva, ktoré môže viesť k ťažkým poraneniam alebo usmrteniu.





POZOR

POZOR !

- ▶ Označenie novej nebezpečnej situácie, ktorá môže viesť k ľahším ublíženiam na tele alebo vecným škodám.


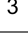


1.2.2 Symboly v dokumentácii

V tejto dokumentácii sa používajú nasledujúce symboly:

	Pred použitím si prečítajte návod na obsluhu
	Upozornenia týkajúce sa používania a iné užitočné informácie
	Zaobchádzanie s recyklovateľnými materiálmi
	Elektrické zariadenia a akumulátory nevyhadzujte do komunálneho odpadu

1.2.3 Symboly na obrázkoch

Na vyobrazeniach sa používajú nasledujúce symboly:

	Tieto čísla odkazujú na príslušné vyobrazenie na začiatku tohto návodu
	Číslovanie udáva poradie pracovných úkonov na obrázku a môže sa odlišovať od číslovania pracovných úkonov v texte.
	Čísla pozícií sa používajú v obrázku Prehľad a odkazujú na čísla legendy v odseku Prehľad výrobkov .
	Tento symbol by mal u vás vzbudiť mimoriadnu pozornosť pri zaobchádzaní s výrobkom.

1.3 Symboly na produktoch

1.3.1 Symboly na produkte

Na výrobku sa môžu používať nasledujúce symboly:



	Bezdrôtový prenos údajov
n_0	Menovité voľnoběžné otáčky
	Trieda ochrany II (dvojitá izolácia)
	Pílový kotúč

1.4 Informácie o výrobku

Výrobky sú určené pre profesionálneho používateľa a smie ich obsluhovať, vykonávať údržbu a opravovať iba autorizovaný, výškolený personál. Tento personál musí byť špeciálne poučený o vznikajúcich rizikách a nebezpečenstve. Výrobok a jeho pomocné prostriedky sa môžu stať zdrojom nebezpečenstva v prípade, že s nimi bude manipulovať personál bez vzdelania, neodborným spôsobom alebo ak sa nebudú používať v súlade s určením.

Typové označenie a sériové číslo sú uvedené na typovom štítku.

- Poznamenajte si sériové číslo do nasledujúcej tabuľky. Údaje výrobku budete potrebovať pri dopytoch adresovaných nášmu zastúpeniu alebo servisu.

Údaje o produkte

Okružná píla	SC 55W
Generácia	01
Sériové číslo	

1.5 Vyhlásenie o zhode

Na vlastnú zodpovednosť vyhlasujeme, že tu opísaný výrobok sa zhoduje s nasledujúcimi smernicami a normami. Vyobrazenie vyhlásenia o zhode nájdete na konci tejto dokumentácie.

Technická dokumentácia je uložená tu:

Hilti Entwicklungsgesellschaft mbH | Zulassung Geräte | Hiltistraße 6 | 86916 Kaufering, DE

2 Bezpečnosť

2.1 Všeobecné bezpečnostné pokyny a upozornenia pre elektrické náradie

⚠ VÝSTRAHA Prečítajte si všetky bezpečnostné upozornenia, pokyny, obrázky a technické údaje týkajúce sa toto elektrického náradia. Nedbalosť pri dodržiavaní uvedených pokynov a pokynov môže mať za následok úraz elektrickým prúdom, požiar a/alebo závažné poranenia.

Všetky bezpečnostné upozornenia a pokyny si uschovajte pre budúcu potrebu.

Pojem "elektrické náradie" uvedený v bezpečnostných upozorneniach sa vzťahuje na sieťové elektrické náradie (náradie so sieťovým káblom) alebo na akumulátorové elektrické náradie (bez sieťového kábla).

Bezpečnosť na pracovisku

- **Na pracovisku udržiavajte čistotu a dbajte na dostatočné osvetlenie.** Neporiadok na pracovisku a neosvetlené časti pracoviska môžu viesť k úrazom.
- **Nepracujte s elektrickým náradím vo výbušnom prostredí, v ktorom sa nachádzajú horľavé kvapaliny, plyny alebo prach.** Elektrické náradie vytvára iskry, ktoré môžu spôsobiť vznietenie prachu alebo výparov.
- **Pri používaní elektrického náradia dbajte na bezpečnú vzdialenosť detí a iných osôb.** Pri odpuťaní pozornosti od práce môžete stratiť kontrolu nad náradím.

Elektrická bezpečnosť

- **Pripájacia zástrčka elektrického náradia musí byť vhodná do danej zásuvky. Zástrčka sa nesmie žiadnym spôsobom meniť či upravovať. Spolu s uzemneným elektrickým náradím nepoužívajte žiadne zástrčkové adaptéry.** Nezmenené zástrčky a vhodné zásuvky znižujú riziko úrazu elektrickým prúdom.
- **Zabráňte kontaktu tela s uzemnenými povrchmi ako sú rúry, radiátory alebo vykurovacie telesá, sporáky a chladničky.** Pri uzemnení vášho tela hrozí zvýšené riziko úrazu elektrickým prúdom.
- **Chráňte elektrické náradie pred dažďom či vlhkosťou.** Vniknutie vody do elektrického náradia zvyšuje riziko úrazu elektrickým prúdom.



- ▶ **Pripojovací kábel nepoužívajte na účely, na ktoré nie je určený, napr. na prenášanie, zavesenie elektrického náradia či na vyťahovanie zástrčky zo zásuvky. Pripojovací kábel držte v bezpečnej vzdialenosti od tepla, oleja, ostrých hrán alebo pohyblivých častí.** Poškodené alebo spletené pripojovacie káble zvyšujú riziko úrazu elektrickým prúdom.
- ▶ **Pri práci s elektrickým náradím vo vonkajšom prostredí používajte iba predlžovacie káble vhodné aj do vonkajšieho prostredia.** Používanie predlžovacieho kábla vhodného do vonkajšieho prostredia znižuje riziko úrazu elektrickým prúdom.
- ▶ **Pokiaľ sa nemožno vyhnúť prevádzkovaniu elektrického náradia vo vlhkom prostredí, použite prúdový chránič.** Použitie prúdového chrániča znižuje riziko úrazu elektrickým prúdom.

Bezpečnosť osôb

- ▶ **Pri práci buďte pozorní, dávajte pozor na to, čo robíte a pri práci s elektrickým náradím postupujte s rozvahou.** Elektrické náradie nepoužívajte vtedy, keď ste unavení alebo pod vplyvom drog, alkoholu alebo liekov. Aj moment nepozornosti pri používaní elektrického náradia môže viesť k závažným poraneniam.
- ▶ **Noste prostriedky osobnej ochrannej výbavy a vždy používajte ochranné okuliare.** Nosenie osobnej ochrannej výbavy, ako je maska proti prachu, bezpečnostná obuv s protišmykovou podrážkou, ochranná prilba alebo chrániče sluchu (podľa druhu a použitia elektrického náradia), znižuje riziko poranení.
- ▶ **Zabráňte neúmyselnému uvedeniu do prevádzky. Pred pripojením na elektrické napájanie a/alebo pripojením akumulátora, pred uchopením alebo prenášaním sa uistite, že elektrické náradie je vypnuté.** Ak máte pri prenášaní elektrického náradia prst na spínači alebo ak pripojíte zapnuté náradie na elektrické napájanie, môže to viesť k vzniku úrazov a nehôd.
- ▶ **Pred zapnutím elektrického náradia odstráňte z náradia nastavovacie nástroje alebo kľúče na skrutky.** Nástroj alebo kľúč v otáčajúcej sa časti náradia môže spôsobiť úrazu.
- ▶ **Vyhýbajte sa neprirodzenej polohe a držaniu tela. Pri práci zabezpečte stabilný postoj a neustále udržiavajte rovnováhu.** Budete tak môcť elektrické náradie v neočakávaných situáciách lepšie kontrolovať.
- ▶ **Noste vhodný odev. Nenoste voľný odev alebo šperky. Vlasy, odev a rukavice udržiavajte mimo pohybujúcich sa dielov.** Voľný odev, šperky alebo dlhé vlasy sa môžu zachytiť o pohybujúce sa diely.
- ▶ **Ak je možné namontovať zariadenia na odsávanie a zachytávanie prachu, presvedčite sa, že tieto zariadenia sú pripojené a používajú sa správne.** Používanie zariadenia na odsávanie prachu môže znížiť ohrozenia spôsobené náradím.
- ▶ **Neuspokojte sa pocitom falošnej bezpečnosti a nekonajte v rozpore s bezpečnostnými pravidlami pre elektrické náradie, aj keď máte dostatok skúseností s používaním elektrického náradia.** Nedbalé konanie sa môže v zlomkoch sekundy zmeniť na ťažký úraz.

Používanie a starostlivosť o elektrické náradie

- ▶ **Náradie/zariadenie/prístroj nepreťažujte. Používajte vhodné elektrické náradie určené na prácu, ktorú vykonávate.** Vhodné elektrické náradie umožňuje lepšiu a bezpečnejšiu prácu v uvedenom rozsahu výkonu.
- ▶ **Elektrické náradie s poškodeným vypínačom nepoužívajte.** Náradie, ktoré sa nedá zapnúť alebo vypnúť je nebezpečné a treba ho dať opraviť.
- ▶ **Skôr než budete náradie nastavovať, meniť časti jeho príslušenstva alebo než ho odložíte, vytiahnite sieťovú zástrčku zo zásuvky a/alebo vyberte odnímateľný akumulátor.** Toto bezpečnostné opatrenie zabraňuje neúmyselnému spusteniu elektrického náradia.
- ▶ **Nepoužívané elektrické náradie odložte na miesto chránené pred prístupom detí. Nedovoľte používať náradie osobám, ktoré s ním nie sú oboznámené alebo si neprečítali tieto inštrukcie.** Elektrické náradie je pre neskúsených používateľov nebezpečné.
- ▶ **Elektrické náradie a príslušenstvo starostlivo udržiavajte. Skontrolujte, či pohyblivé časti náradia bezchybne fungujú a nezasekávajú sa, či nie sú niektoré časti zlomené alebo poškodené v takom rozsahu, že to ovplyvňuje fungovanie elektrického náradia. Poškodené časti dajte pred použitím náradia opraviť.** Mnohé úrazy sú zapríčinené nesprávne a nedostatočne udržiavaným elektrickým náradím.
- ▶ **Rezacie nástroje udržiavajte ostré a čisté.** Starostlivo ošetrované rezacie nástroje s ostrými reznými hranami sa zasekávajú menej a ľahšie sa vedú.
- ▶ **Elektrické náradie, príslušenstvo, vkladacie nástroje atď. používajte v súlade s týmito pokynmi. Zohľadnite pri tom pracovné podmienky a vykonávanú činnosť.** Používanie elektrického náradia na iné než určené použitie môže viesť k nebezpečným situáciám.
- ▶ **Rukoväti a plochy udržiavajte suché, čisté a bez oleja alebo tuku.** Klzké rukoväti a plochy neumožňujú bezpečnú obsluhu a kontrolu elektrického náradia v nepredvídateľných situáciách.



Servis

- ▶ **Elektrické náradie nechajte opravovať iba kvalifikovaným odborným personálom a iba s použitím originálnych náhradných dielov.** Tým sa zabezpečí, že zostane zachovaná bezpečnosť elektrického náradia.

2.2 Bezpečnostné pokyny týkajúce sa všetkých píľ

Proces rezania

- ▶ **⚠ NEBEZPEČENSTVO: Nepribližujte ruky k miestu rezu alebo do blízkosti pilového kotúča.** Druhou rukou držte prídavnú rukoväť alebo kryt motora. Ak okružnú pílu držíte oboma rukami, pilový kotúč ich nemôže poraniť.
- ▶ **Nesiahajte pod obrobok.** Ochranný kryt vás pod obrobkom nemôže chrániť pred pilovým kotúčom.
- ▶ **Hĺbku rezu prispôbte hrúbke obrobku.** Pilový kotúč pod obrobkom by nemal z obrobku vyčnievať viac než na jednu plnú výšku zuba.
- ▶ **Pílený obrobok nikdy nepridržavajte rukou alebo nohou.** Obrobok upevnite do stabilného upnutia. Dostatočné upevnenie obrobku je dôležité, aby sa vylúčilo nebezpečenstvo kontaktu s telom a minimalizovalo riziko zaseknutia pilového kotúča alebo strata kontroly nad náradím.
- ▶ **Ak vykonávate práce, pri ktorých môže prísť vkladací nástroj do styku so skrytými elektrickými vedeniami, alebo s vlastným sieťovým káblom náradia, dotýkajte sa elektrického náradia len na izolovaných úchopových plochách.** Kontakt s elektrickým vedením pod napätím spôsobí, že aj kovové časti elektrického náradia budú pod napätím a môžu spôsobiť úraz elektrickým prúdom.
- ▶ **Pri pozdĺžnych rezoch vždy používajte paralelný doraz alebo iné vodidlo na vedenie náradia pozdĺž hrany obrobku.** Zvýši sa tým presnosť rezu a zníži možnosť zaseknutia pilového kotúča.
- ▶ **Vždy používajte pilové kotúče správnej veľkosti a s vhodným tvarom upínacieho otvoru (napr. hviezdicovitý alebo okrúhly).** Pilové kotúče, ktoré nepasujú k upínacím prvkom píly, majú nepravidelný chod (hádzú) a vedú k strate kontroly nad náradím.
- ▶ **Nikdy nepoužívajte poškodené alebo nesprávne podložky alebo skrutky na upevnenie pilového kotúča.** Podložky alebo skrutky na upevnenie pilového kotúča sú konštruované špeciálne pre vašu pílu, jej optimálny výkon a bezpečnosť prevádzky.

Spätný ráz – príčiny a príslušné bezpečnostné upozornenia

- Spätný ráz je náhla, prudká reakcia v dôsledku zaseknutého, zablokovaného alebo nesprávne nasmerovaného pilového kotúča, ktorá vedie k tomu, že píla sa nekontrolovaným spôsobom zdvihne a pohybuje sa smerom z obrobku k obsluhujúcej osobe;
- ak sa pilový kotúč v uzavierajúcej sa štrbine rezu zasekne alebo skriži, dôjde k zablokovaniu píly a sila motora ju vymrští smerom k používateľovi;
- ak sa pilový kotúč v štrbine rezu zadrie alebo skriži, môžu sa zuby zadnej hrany kotúča zaseknúť v povrchu obrobku, čím sa pilový kotúč vysunie von zo štrbiny rezu a píla skočí dozadu smerom k používateľovi.

Spätný ráz je dôsledkom nesprávneho alebo chybného používania píly. Možno mu zabrániť vhodnými bezpečnostnými opatreniami, ktoré sú nižšie opísané.

- ▶ **Pílu pevne držte obidvomi rukami a ramená majte v takej pozícii, ktorá vám umožní zvládnuť sily vznikajúce pri spätnom ráze. Vždy stojte bokom od pilového kotúča, nikdy nedávajte pilový kotúč do jednej línie s vaším telom.** Pri spätnom ráze môže okružná píla prudko skočiť dozadu, avšak obsluha dokáže tieto sily zvládnuť, ak sa vykonajú vhodné opatrenia.
- ▶ **ak sa pilový kotúč zasekne alebo ak prácu prerušíte, vypnite pílu a držte ju pokojne v materiáli dovtedy, kým sa pilový kotúč nezastaví. Nikdy sa nepokúšajte odstrániť pílu z obrobku alebo ju ťahať dozadu, kým sa pilový kotúč pohybuje. Inak môže vzniknúť spätý ráz.** Zistíte a odstránite príčinu zaseknutia pilového kotúča.
- ▶ **ak pílu, ktorá uviazla v obrobku, chcete opäť spustiť, vystred'te pilový kotúč v štrbine rezu a skontrolujte, či nie sú zuby kotúča zaseknuté v obrobku.** Ak sa pilový kotúč zasekol, môže pri opakovanom zapnutí píly prudko vyskočiť z obrobku alebo zapríčiniť spätý ráz.
- ▶ **Veľké dosky pred pílením podoprite, aby sa znížilo riziko spätného rázu v dôsledku zaseknutia pilového kotúča (pri prehybaní dosky).** Veľké dosky sa vlastnou váhou môžu prehnúť. Dosky sa musia podoprieť na oboch stranách, tak v blízkosti štrbiny rezu, ako aj na hranách.
- ▶ **Nepoužívajte tupé alebo poškodené pilové kotúče.** Pilové kotúče s tupými alebo nesprávne rozvedenými zubami spôsobujú v dôsledku príliš úzkej štrbiny rezu zvýšené trenie, zasekavanie pilového kotúča alebo spätý ráz.
- ▶ **Pred rezaním pevne dotiahnite prvky na nastavenie hĺbky a uhla rezania.** Ak sa nastavenia počas rezania zmenia, môže sa pilový kotúč zaseknúť a môže dôjsť k spätnému rázu.



- ▶ **Bud'te mimoriadne opatrní pri rezaní do existujúcich stien alebo do iných oblastí, na ktoré nie je možný náhľad.** Pílový kotúč sa pri zarezaní do skrytých objektov môže zablokovať a spôsobiť spätný ráz.

Funkcia spodného ochranného krytu

- ▶ **Pred každým použitím píly skontrolujte, či sa spodný ochranný kryt bezchybne zatvára. Pílu nepoužívajte, ak spodný ochranný kryt nie je voľne pohyblivý a okamžite sa neuzavrie. Spodný ochranný kryt nikdy neblokujte alebo neuväzujte v otvorenej polohe.** Po neúmyselnom páde píly na zem sa spodný ochranný kryt môže pokriviť. Ochranný kryt otvorte páčkou a presvedčte sa, či je voľne pohyblivý a pri žiadnej hĺbke alebo uhle rezu sa nikde nedotýka pílového kotúča alebo iných častí píly.
- ▶ **Skontrolujte funkciu vratných pružín spodného ochranného kotúča. Ak spodný ochranný kryt a jeho vratné pružiny nefungujú bezchybne, pílu pred ďalším používaním nechajte opraviť.** Poškodené časti, lepkavé nánosy a usadeniny triesok spôsobujú, že ochranný kryt pracuje spomalene.
- ▶ **Spodný ochranný kryt otvorte rukou iba pri špeciálnych rezoch, ako "rezy so zanorením a šikmé rezy". Spodný ochranný kryt otvorte páčkou a pusťte ju, akonáhle pílový kotúč vnikne do obrobku.** Pri všetkých ostatných spôsoboch pílenia musí spodný ochranný kryt pracovať automaticky.
- ▶ **Pílu neklad'te na pracovný stôl alebo podlahu, ak spodný ochranný kryt nezakrýva pílový kotúč.** Nechránený dobiehajúci pílový kotúč posúva pílu v smere rezu a reže všetko, čo mu stojí v ceste. Nezabúdajte pritom na čas dobehu píly.

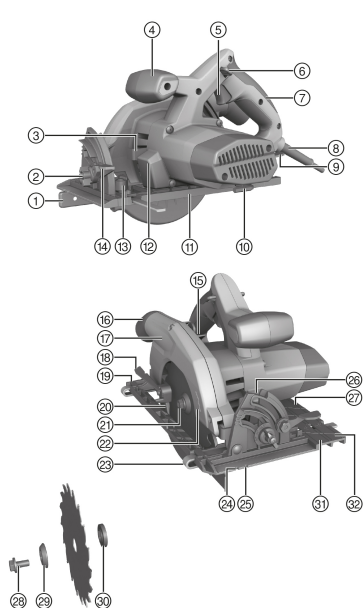
2.3 Doplnkové bezpečnostné upozornenia – okružné píly

- ▶ Ručnú okružnú pílu ved'te len v zapnutom stave proti obrobku.
 - ↳ Dráha rezu musí byť rovná a dolu bez prekážok. Nerežte skrutky, klince a podobne.
- ▶ S okružnou pílu nikdy nepracujte nad hlavou.
- ▶ Pílový kotúč nikdy nebrzdíte bočným protitlakom.
- ▶ Zabráňte prehrievaniu hrotov pílových zubov.
- ▶ Pri pílení plastu je potrebné zabrániť taveniu plastu.
- ▶ Na rezaný podklad používajte vždy vhodný pílový kotúč.
- ▶ Používajte výhradne pílové kotúče odporúčané firmou Hilti, ktoré spĺňajú normu EN 847-1.



3 Opis

3.1 Prehľad výrobku 1



- ① Paralelný doraz jednoramenný
- ② Prednastavenie uhla rezu
- ③ Aretačné tlačidlo vretena
- ④ Prídavná rukoväť
- ⑤ Vypínač
- ⑥ Blokovanie zapnutia
- ⑦ Rukoväť
- ⑧ Sieťový kábel
- ⑨ Zvieracia páčka na nastavenie hĺbky rezu
- ⑩ Inbusový kľúč
- ⑪ Malá základná doska
- ⑫ LED osvetlenie
- ⑬ Zvieracia páčka na nastavenie paralelného dorazu vpredu
- ⑭ Zvieracia páčka na nastavenie uhla rezu
- ⑮ Stupnica hĺbky rezu
- ⑯ Prípájací nátrubok (vysávač)
- ⑰ Ochranný kryt
- ⑱ Ovládacia páka pre výkyvný ochranný kryt
- ⑲ Zvieracia páčka na nastavenie paralelného dorazu vzadu (len pre veľkú základnú dosku)
- ⑳ Výkyvný ochranný kryt
- ㉑ Hnacie vreteno
- ㉒ Šípka smeru otáčania
- ㉓ Paralelný doraz dvojramenný
- ㉔ Značka rezu 0°
- ㉕ Značka rezu 45°
- ㉖ Stupnica uhla rezu
- ㉗ Veľká základná doska
- ㉘ Upínacia skrutka
- ㉙ Upínacia príruba
- ㉚ Unášacia príruba
- ㉛ Ryska drážky 0° základná doska
- ㉜ Ryska drážky 1° – 50° základná doska

3.2 Prehľad – adaptér pre vodiacu koľajničku 2

- ③③ Pridržiavací výstupok vzadu
- ③④ Pridržiavací výstupok vpredu
- ③⑤ Ryska drážky 0°
- ③⑥ Ryska drážky 1° – 50°

3.3 Používanie v súlade s určením

Opisovaný výrobok je okružná píla. Určená je na rezanie dreva alebo iných materiálov podobných drevu, plastov, sadrokartónu, sadrových vláknitých dosiek a kompozitných materiálov, a to do hĺbky 55 mm, ako aj na šikmé rezy do 50°.

3.3.1 Možné chybné použitie

Nesmú sa používať pílové kotúče, ktoré nezodpovedajú údajom v časti Technické údaje, rezacie kotúče, brúsne kotúče, ani pílové kotúče z vysokolegovanej rýchloreznej ocele (HSS). Pílou sa nesmú píliť kovy.

3.4 Rozsah dodávky

Okružná píla, pílový kotúč, inbusový kľúč, paralelný doraz, návod na obsluhu.



i Na bezpečnú prevádzku používajte len originálne náhradné súčiastky a spotrebné materiály. Nami schválené náhradné súčiastky, spotrebné materiály a príslušenstvo pre váš výrobok nájdete vo vašom **Hilti Store** alebo na stránke: www.hilti.group

4 Technické údaje

4.1 Technické údaje

i Menovité napätie, menovitý prúd, frekvenciu a menovitý príkon nájdete na typovom štítku špecifickom pre danú krajinu.

Pri prevádzkovaní na generátore alebo transformátore musí byť jeho výstupný (podávaný) výkon minimálne dvakrát taký vysoký ako je menovitý príkon, ktorý je uvedený na typovom štítku zariadenia. Prevádzkové napätie transformátora alebo generátora musí byť neustále v rozsahu +5 % až -15 % menovitého napätia zariadenia.

Hmotnosť, malá základná doska	4,5 kg
Hmotnosť, veľká základná doska	4,7 kg
Priemer pilového kotúča	160 mm ... 165 mm
Hrúbka nosného kotúča pilových kotúčov	1,1 mm ... 1,5 mm
Upínací otvor pilového kotúča	20 mm
Hĺbka rezu pri 0°	0 mm ... 55 mm
Hĺbka rezu pri 45°	0 mm ... 41 mm
Hĺbka rezu pri 50°	0 mm ... 37 mm
Voľnobežné otáčky	5 500 ot/min

4.2 Hodnoty hluku a vibrácií podľa EN 62841

Hodnoty akustického tlaku a vibrácií uvedené v tomto návode boli namerané podľa normovanej metódy merania a dajú sa využiť na vzájomné porovnávanie elektrického náradia. Sú vhodné aj na predbežný odhad pôsobení.

Uvedené údaje reprezentujú hlavné spôsoby použitia elektrického náradia. Ak sa však elektrické náradie používa na iné účely, s odlišnými vkladacími nástrojmi alebo nemá zabezpečenú dostatočnú údržbu, údaje sa môžu odlišovať. Tým sa môže podstatne zvýšiť miera pôsobenia v priebehu celého pracovného času.

Pri presnom odhadovaní pôsobení by sa mal zohľadniť aj čas, v priebehu ktorého bolo náradie buď vypnuté, alebo síce spustené, ale v skutočnosti sa nepoužívalo. Tým sa môže podstatne znížiť miera pôsobenia v priebehu celého pracovného času.

Prijmite dodatočné bezpečnostné opatrenia na ochranu obsluhujúcej osoby pred pôsobením hluku a/alebo vibrácií, ako sú napríklad: údržba elektrického náradia a vkladacích nástrojov, udržiavanie správnej teploty rúk, organizácia pracovných procesov.

Informácie o hlučnosti

Hladina akustického výkonu (L_{WA})	101 dB(A)
Hladina akustického tlaku (L_{pA})	90 dB(A)
Neistota	3 dB(A)

Informácie o vibráciách

	230 V	110 V
Triaxiálna hodnota vibrácií pri pílení dreva (a_h)	1,77 m/s ² (5,81 ft/s ²)	2,12 m/s ² (6,96 ft/s ²)
Neistota (K)	1,5 m/s ²	1,5 m/s ²



5 Obsluha

5.1 Demontáž pílového kotúča

VAROVANIE

Nebezpečenstvo popálenia Nebezpečenstvo z dôvodu prítomnosti horúceho nástroja, upínacej príruby alebo upínacej skrutky a ostrých hrán pílového kotúča.

- Pri výmene nástrojov používajte ochranné rukavice.

1. Vytiahnite sieťovú zástrčku zo zásuvky.
2. Nasadte inbusový kľúč na upevňovaciu skrutku pílového kotúča.
3. Stlačte aretačné tlačidlo vretena a podržte ho stlačené.
4. Inbusovým kľúčom otáčajte upínaviu skrutku pre pílový kotúč, kým aretačné tlačidlo vretena úplne nezaskočí.
5. Uvoľnite upínaviu skrutku inbusovým kľúčom, otáčaním do smeru šípky pre smer otáčania.
6. Odoberte upínaviu skrutku a vonkajšiu upínaviu prírubu.
7. Výkyvný ochranný kryt vytočením otvorte a odstráňte pílový kotúč.



V prípade potreby je možné pre vyčistenie odobrať unášaciu prírubu.

5.2 Montáž pílového kotúča

POZOR

Nebezpečenstvo poškodenia Nevhodné alebo nesprávne nasadené pílové kotúče môžu poškodiť pílu.

- Používajte len pílové kotúče, ktoré sú pre pílu určené. Dodržiavajte smer otáčania vyznačený šípkou na pílovom kotúči.
- Používajte len pílové kotúče, ktorých prípustné otáčky sú také vysoké ako maximálne otáčky, ktoré sú uvedené na produkte.

1. Vytiahnite sieťovú zástrčku zo zásuvky.
2. Unášaciu a upínaviu prírubu očistite.
3. Unášaciu prírubu nasadte správnym smerom.
4. Otvorte výkyvný ochranný kryt.
5. Nasadte nový pílový kotúč.
6. Nasadte vonkajšiu upínaviu prírubu správnym smerom.
7. Nasadte upínaviu skrutku.
8. Založte inbusový kľúč na upínacej skrutke pre pílový kotúč.
9. Upínaviu prírubu upevnite otáčaním upínacej skrutky v smere pohybu hodinových ručičiek. Aretačné tlačidlo vretena pritom podržte rukou stlačené.
10. Pred uvedením do prevádzky skontrolujte pevné a správne osadenie pílového kotúča.

5.3 Nastavenie hĺbky rezu

1. Vytiahnite sieťovú zástrčku zo zásuvky.
2. Uvoľnite zvieraciu páčku na nastavenie hĺbky rezu.
3. Nadvihnite okružnú pílu nožnicovitým pohybom a nastavte hĺbku rezu.
 - ↳ Hĺbka rezu sa zobrazí na stupnici hĺbky rezu.



Aby bola hrana rezu čistá, hĺbka rezu by mala odpovedať hrúbke materiálu plus 2 mm.

4. Zafixujte zvieraciu páčku na nastavenie hĺbky rezu.

5.4 Nastavenie uhla rezu

1. Vytiahnite sieťovú zástrčku zo zásuvky.
2. Zvieraciu páčku na nastavovanie uhla rezu povoľte.
3. Otočte základnú dosku na požadovaný uhol rezu.
 - ↳ Uhol rezu sa zobrazí na stupnici uhla rezu.



- Zvieraci páčku na nastavenie uhla rezu pevne utiahnite.

5.5 Ukazovateľ s ryskou

Na prednej základnej doske okružnej píly sa nachádza ukazovateľ s ryskou (0° a 45°) na rovné aj na šikmé rezy. S ním sa podľa zvoleného uhla dá vyhotoviť presný rez. Hrana zárezu zodpovedá vnútornej strane pílového kotúča. Ukazovateľ s ryskou sa nachádza pri prednom výreze pre pílový kotúč.

5.5.1 Rezanie podľa nárysu



Obrobok zaistíte proti posunutiu.

Umiestnite obrobok tak, aby pílový kotúč pod obrobkom voľne prebiehal.

Uistite sa, že vypínač na výrobku je vypnutý.

Okružnú pílu priložte základnou doskou na obrobok tak, aby sa pílový kotúč vôbec nedotýkal obrobku.

- Zapnite okružnú pílu.
- Okružnú pílu primeranou rýchlosťou posúvajte pozdĺž vyznačeného nárysu cez obrobok.

5.6 Pílenie s paralelným dorazom

Jednoramenný paralelný doraz umožňuje presné rezy pozdĺž hrany obrobku, resp. rezanie rozmerovo zhodných listů. Paralelný doraz je možné namontovať na obidve strany základnej dosky.

Dvojramenný paralelný doraz sa dá použiť len s veľkou základnou doskou.

Pri montáži paralelného dorazu dbajte na správnu orientáciu.

5.7 Píľte s vodiacou koľajničkou.

Pílenie s vodiacou koľajničkou môže znížiť riziko spätného rázu.

5.7.1 Vloženie okružnej píly do adaptéra pre vodiacu koľajničku/vybratie



Pri práci s píľami s malou základnou doskou použite adaptér pre vodiacu koľajničku, ktorý sa k nej hodí.

- Odstráňte prípadne namontovaný paralelný doraz.
- Základnú dosku zaveďte do zadných pridržiavacích výstupkov adaptéra pre vodiacu koľajničku.
- Vložte základnú dosku vpredu celkom do adaptéra pre vodiacu koľajničku. Základná doska musí na prednom pridržiavacom výstupku úplne zaskočiť.
- Pri vyberaní potiahnite predný pridržiavací výstupok zľahka dopredu a okružnú pílu vyberte z adaptéra pre vodiacu koľajničku.

5.7.2 Pozdĺžne rezy pri uhle 0°

- Pílu nasadíte ryskou drážky „0“ na výstupok vodiacej koľajničky.

5.7.3 Pozdĺžne rezy pri uhloch do 50°

POZOR

Nebezpečenstvo poškodenia Ak sa píla vloží do nesprávnej drážky, dôjde ku kolízii pílového kotúča s vodiacou koľajničkou.

- Pílu vložte do správnej drážky.

- Pílu nasadíte ryskou drážky „1 – 50“ na výstupok vodiacej koľajničky.

5.7.4 Pílenie s vodiacou koľajničkou

- Vodiacu koľajničku odspodu upevnite dvomi upínacími svorkami.
- Nasadíte okružnú pílu v oblasti nasadzovania vodiacej koľajničky. Ak chcete robiť pozdĺžne rezy pri uhle rezu 20° – 50°, manuálne otvorte ochranný kryt.



Okružná píla musí byť nasadená na vodiacej koľajničke za obrobkom.

Dbajte na to, aby sa pílový kotúč nikde nedotýkal obrobku.

- Zapnite okružnú pílu.



4. Okružnú pílu rovnomerne posúvajte po obrobku.
 - ↳ Výkyvný ochranný kryt sa otvára pri uhle rezu do 20° pri kontakte s bočnou hranou odrezku.
 - ↳ Keď píla na konci vodiacej koľajničky vyjde, kryt sa znova zatvorí.

5.8 Pílenie s a bez odsávania pilín

Okružná píla je vybavená odoberateľným pripájacím nátrubkom, ktorý je dimenzovaný na bežné hadice vysávačov s priemerom 27 mm. Na spojenie hadice vysávača s okružnou pílou môže byť potrebný vhodný adaptér.

Podľa možnosti použite vždy vhodný mobilný odvádzáč prachu na drevo alebo drevo a minerálne materiály. Keď pracujete bez odsávania pilín, požadovaný smer vyhadzovania pilín si zvolíte jednoduchým otáčaním tak, aby sa piliny odvádzali smerom od vás.

Používajte zásadne ochrannú dýchaciu masku s filtrom triedy P2 a postarajte sa vždy o dostatočné vetranie, aby bolo zaťaženie prostredia prachom čo najmenšie.

6 Starostlivosť a údržba

6.1 Starostlivosť a údržba/oprava

VAROVANIE

Nebezpečenstvo úrazu elektrickým prúdom! Vykonávanie údržby a opravy, keď je zasunutá sieťová zástrčka, môže viesť k závažným poraneniam a k popáleninám.

- ▶ Pred akoukoľvek údržbou a opravami vždy vytiahnite sieťovú zástrčku zo zásuvky!

Starostlivosť

- Pevne zachytenú nečistotu opatrne odstráňte.
- Vetracie štrbiny opatrne vyčistite suchou kefou.
- Kryt čistite len mierne navlhčenou handrou. Nepoužívajte žiadne prostriedky na ošetrovanie obsahujúce silikón, pretože tie môžu poškodiť plastové časti.

Údržba a oprava

VAROVANIE

Nebezpečenstvo zásahu elektrickým prúdom! Neodborné opravy na elektrických častiach môžu viesť k závažným poraneniam a popáleninám.

- ▶ Opravy elektrických častí smie vykonávať iba školený elektromechanik.
- Pravidelne kontrolujte všetky viditeľné časti a výskyt poškodení, ako aj bezchybné fungovanie ovládacích prvkov.
- V prípade poškodenia a/alebo poruchy funkcie výrobok nepoužívajte. Ihneď ho nechajte opraviť v servise firmy **Hilti**.
- Po prácach spojených so starostlivosťou a udržiavaním náradia pripevnite všetky ochranné zariadenia a skontrolujte ich fungovanie.

Aby bola zaistená bezpečná prevádzka, používajte len originálne náhradné súčiastky a spotrebné materiály. Nami schválené náhradné súčiastky, spotrebné materiály a príslušenstvo pre váš výrobok nájdete vo vašom **Hilti Store** alebo na stránke: www.hilti.group.

6.2 Kontrola po vykonaní údržby a opráv

Po vykonaní údržby a opráv skontrolujte, či sú pripevnené všetky ochranné zariadenia a či bezchybne fungujú.

- ▶ Aby ste skontrolovali výkyvný ochranný kryt, úplne ho otvorte stlačením ovládacej páky.
 - ↳ Po uvoľnení ovládacej páky sa musí výkyvný ochranný kryt rýchlo a úplne zatvoriť.



6.3 Čistenie kanála na triesky



Pílový kotúč musíte pri čistení v prípade potreby vymontovať.

1. Vytiahnite sieťovú zástrčku zo zásuvky.
2. Pílový kotúč demontujte. → strana 109
3. Vyčistite kanál na triesky.
4. Namontujte pílový kotúč. → strana 109
5. Skontrolujte, či pohyblivé časti náradia bezchybne fungujú a nezadrhávajú, či nie sú zlomené alebo poškodené v rozsahu, ktorý by mohol ovplyvniť funkčnosť náradia.

6.4 Čistenie ochranného zariadenia

1. Pílový kotúč demontujte. → strana 109
2. Ochranné zariadenia opatrne očistite suchou kefou.
3. Vhodným nástrojom odstráňte usadeniny a piliny vo vnútri ochranných zariadení.
4. Namontujte pílový kotúč. → strana 109

7 Poruchy a ich odstraňovanie

Porucha	Možná príčina	Riešenie
Náradie nedosahuje plný výkon.	Predžžovacia šnúra je príliš dlhá a/alebo má malý prierez.	► Používajte predžžovaciu šnúru s prípustnou dĺžkou a/alebo s dostatočným prierezom.
	Napájacie napätie je príliš nízke.	► Náradie pripojte k inému elektrickému zdroju.
Náradie nefunguje.	Napájanie bolo prerušené.	► Pripojte iný elektrický prístroj a skontrolujte, či funguje.
	Sieťový kábel alebo zástrčka sú poškodené.	► Sieťový kábel alebo zástrčku dajte skontrolovať alebo vymeniť kvalifikovanému elektrikárovi, príp. v servise Hilti .
	Vypínač je chybný.	► Výrobok dajte opraviť v servisnom stredisku Hilti .
	Opotrebované uhliky.	► Výrobok dajte opraviť v servisnom stredisku Hilti .
Žiadny alebo znížený sací výkon.	Kanál na triesky je upchatý.	► Vyčistite kanál na triesky. → strana 112
Výkyvný ochranný kryt za nezatvára.	Ochranné zariadenie je upchaté.	► Vyčistite ochranné zariadenie. → strana 112
Náradie vibruje silnejšie ako zvyčajne.	Pílový kotúč je nesprávne namontovaný.	► Odmontujte pílový kotúč a namontujte ho správne.

8 Likvidácia

Náradie značky **Hilti** je z veľkej časti vyrobené z recyklovateľných materiálov. Predpokladom na opakované využitie recyklovateľných materiálov je ich správne separovanie. V mnohých krajinách firma **Hilti** odobere vaše staré náradie na recykláciu. Opýtajte sa na to v zákaznickom servise firmy **Hilti** alebo u svojho obchodného poradcu.



- Elektrické prístroje, elektronické zariadenia a akumulátory nedávajte do domáceho odpadu!

9 RoHS (smernica o obmedzení používania určitých látok v elektrických a elektronických zariadeniach)



Pod nasledujúcim odkazom nájdete tabuľku nebezpečných látok: qr.hilti.com/r2937786.
Odkaz na tabuľku RoHS nájdete na konci tejto dokumentácie ako QR kód.

10 Záruka výrobcu

- ▶ Ak máte akékoľvek otázky týkajúce sa záručných podmienok, obráťte sa, prosím, na vášho lokálneho partnera spoločnosti **Hilti**.



1 A dokumentáció adatai

1.1 A dokumentumról

- Üzembe helyezés előtt olvassa el ezt a dokumentumot. Ez a biztonságos munkavégzés és a hibamentes kezelés előfeltétele.
- Vegye figyelembe a dokumentumban és a terméken található biztonsági utasításokat és figyelmeztetéseket.
- Ezt a használati utasítást mindig tárolja a termék közelében, és a gépet csak ezzel az utasítással együtt adja tovább harmadik személynek.

1.2 Jelmagyarázat

1.2.1 Figyelmeztetések

A figyelmeztetések a termék használata során előforduló veszélyekre hívják fel a figyelmet. A következő figyelmeztetéseket használjuk:

VESZÉLY

VESZÉLY !

- ▶ Súlyos testi sérüléshez vagy halálhoz vezető közvetlen veszély esetén.

FIGYELMEZTETÉS

FIGYELMEZTETÉS !

- ▶ Ezzel a szóval hívjuk fel a figyelmet egy olyan lehetséges veszélyre, amely súlyos személyi sérüléshez vagy halálhoz vezethet.

VIGYÁZAT

VIGYÁZAT !

- ▶ Ezzel a szóval hívjuk fel a figyelmet az olyan lehetséges veszélyhelyzetre, amely könnyebb személyi sérüléshez, vagy dologi kárhoz vezethet.

1.2.2 A dokumentációban használt szimbólumok

A következő szimbólumokat használjuk a jelen dokumentációban:

	Használat előtt olvassa el a használati utasítást
	Alkalmazási útmutatók és más hasznos tudnivalók
	Újrahasznosítható anyagokkal való bánásmód
	Az elektromos gépeket és akkukat ne dobja a háztartási szemétkosárba

1.2.3 Az ábrákon használt szimbólumok

Az ábrákon a következő szimbólumokat használjuk:

	Ezek a számok a jelen utasítás elején található ábrákra vonatkoznak
	A számozás a munkalépések sorrendjét mutatja képekben, és eltérhet a szövegben található munkalépések számozásától
	Az átekintő ábrában használt pozíciószámok a termék áttekintésére szolgáló szakasz jelmagyarázatában lévő számokra utalnak
	Ez a jel hívja fel a figyelmét arra, hogy a termék használata során különös odafigyeléssel kell eljárnia.

1.3 Termékhez kötődő szimbólumok

1.3.1 Szimbólumok a terméken

A következő szimbólumok használhatók a terméken:



	Vezeték nélküli adatátvitel
n_0	Névleges üresjáratú fordulatszám
	II. érintésvédelmi osztály (kettős szigetelés)
	Fűrészlapp

1.4 Termékinformációk

A **HILTI** termékeket kizárólag szakember általi használatra szánták és a gépet csak engedéllyel rendelkező, szakképzett személy használhatja, javíthatja. Ezt a személyt minden lehetséges kockázati tényezőről tájékoztatni kell. A termék és tartozékai könnyen veszélyt okozhatnak, ha nem képzett személy dolgozik velük, vagy nem rendeltetésszerűen használják őket.

A típusjelölés és a sorozatszám a típusábrán található.

- ▶ Jegyezze fel a sorozatszámot a következő táblázatba. Amennyiben kérdéssel fordul a képviselőnkhöz vagy a szervizhez, szüksége lesz ezekre a termékadatokra.

Termékadatok

Körfűrész	SC 55W
Generáció	01
Sorozatszám	

1.5 Megfelelőségi nyilatkozat

Kizárólagos felelősségünk tudatában kijelentjük, hogy ez a termék megfelel az érvényben lévő irányelveknek és szabványoknak. A megfelelőségi nyilatkozat másolatát a dokumentáció végén találja.

A műszaki dokumentáció helye:

Hilti Entwicklungsgesellschaft mbH | Zulassung Geräte | Hiltistraße 6 | 86916 Kaufering, DE

2 Biztonság

2.1 Általános biztonsági tudnivalók az elektromos kéziszerszámokhoz

⚠ FIGYELMEZTETÉS Olvasson el minden biztonsági tudnivalót és utasítást, illusztrált anyagot és műszaki adatot, amelyet ehhez az elektromos kéziszerszámmal mellékeltek. Az alábbi biztonsági tudnivalók és utasítások betartásának elmulasztása áramütéshez, tűzhöz és/vagy súlyos testi sérüléshez vezethet.

Őrizzen meg minden biztonsági tudnivalót és utasítást a jövőbeni használatához.

A biztonsági utasításokban használt „elektromos kéziszerszám” fogalom hálózatról üzemelő elektromos kéziszerszámokra (tápkábelrel együtt értve) és akkumulátoros elektromos kéziszerszámokra (tápkábel nélküli) vonatkozik.

Munkahelyi biztonság

- ▶ **Tartsa tisztán a munkahelyét és jól világítsa meg.** Rendetlen munkahelyek és megvilágítatlan munkaterületek balesetekhez vezethetnek.
- ▶ **Ne dolgozzon az elektromos kéziszerszámmal olyan robbanásveszélyes környezetben, ahol éghető folyadékok, gázok vagy porok vannak.** Az elektromos kéziszerszámok szikrákat bocsáthatnak ki, amelyek meggyújthatják a port vagy a gyúlékony gőzöket.
- ▶ **Tartsa távol a gyerekeket és az idegen személyeket a munkahelytől, ha az elektromos kéziszerszámot használja.** Ha elvonják a figyelmét a munkáról, könnyen elvesztheti az uralmát a berendezés felett.

Elektromos biztonsági előírások

- ▶ **Az elektromos kéziszerszám csatlakozódugójának illeszkednie kell a dugaszolóaljzatba. A csatlakozódugót semmilyen módon sem szabad megváltoztatni. Védőföldeléssel ellátott elektromos kéziszerszámokhoz ne használjon csatlakozóadapert.** Az eredeti csatlakozódugó és a hozzá illeszkedő csatlakozóaljzat csökkenti az áramütés kockázatát.
- ▶ **Ne érjen hozzá földelt felületekhez, például csövekhez, fűtőtestekhez, tűzhelyekhez és hűtőszekrényekhez.** Az áramütés veszélye megnövekszik, ha a teste le van földelve.



- ▶ **Tartsa távol az elektromos kéziszerszámokat az esőtől és a nedvesség hatásaitól.** Ha víz hatol be az elektromos kéziszerszámba, az növeli az áramütés kockázatát.
- ▶ **Ne használja a csatlakozókábelt a rendeltetésétől eltérő célokra, vagyis az elektromos kéziszerszámot soha ne hordozza vagy akassza fel a kábelnél fogva, és soha ne húzza ki a hálózati csatlakozódugót a kábelnél fogva. Tartsa távol a csatlakozókábelt hőforrásoktól, olajtól, éles élektől és sarkaktól, mozgó alkatrészekről.** A sérült vagy összetekert csatlakozókábel növeli az áramütés kockázatát.
- ▶ **Ha az elektromos kéziszerszámmal szabadban dolgozik, akkor csak a szabadban való használatra engedélyezett hosszabbítókábelt használjon.** A kültérre is alkalmas hosszabbítókábel használata csökkenti az áramütés kockázatát.
- ▶ **Használjon hibaáram-védőkapcsolót, ha az elektromos kéziszerszám nedves környezetben történő üzemeltetése nem kerülhető el.** A hibaáram-védőkapcsoló használata csökkenti az áramütés kockázatát.

Személyi biztonsági előírások

- ▶ **Munka közben mindig figyeljen, ügyeljen arra, amit csinál, és megdölgőn dolgozzon az elektromos kéziszerszámmal. Ne használja az elektromos kéziszerszámot, ha fáradt, illetve ha kábítószert, alkoholt vagy gyógyszert használ.** Az elektromos kéziszerszámmal végzett munka közben már egy pillanatnyi figyelmetlenség is komoly sérülésekhez vezethet.
- ▶ **Viseljen személyi védőfelszerelést, és mindig viseljen védőszemüveget.** Az elektromos kéziszerszám alkalmazásának megfelelő személyi védőfelszerelések, úgymint porvédő álarc, csúszásbiztos védőcipő, védősapka és fülvédő használata csökkenti a személyi sérülések kockázatát.
- ▶ **Kerülje el az elektromos kéziszerszám akaratlan üzembe helyezését. Mielőtt az elektromos kéziszerszámot az elektromos hálózatra és/vagy az akkumulátorra csatlakoztatja, vagy felveszi, ill. szállítja, győződjön meg arról, hogy a gép ki van kapcsolva.** Ha az elektromos kéziszerszám felemelése közben az újítást a kapcsolón tartja, vagy ha a gépet bekapcsoló állapotban csatlakoztatja az áramforráshoz, az balesethez vezethet.
- ▶ **Az elektromos kéziszerszám bekapcsolása előtt feltétlenül távolítsa el a beállító szerszámokat vagy csavarulcsokat.** Az elektromos kéziszerszám forgó részeiben felejtett beállító szerszám vagy csavarulcs sérüléseket okozhat.
- ▶ **Kerülje el a normálistól eltérő testtartást. Ügyeljen arra, hogy mindig biztosan álljon és megtartsa az egyensúlyát.** Így az elektromos kéziszerszám felett váratlan helyzetekben is jobban tud uralkodni.
- ▶ **Viseljen megfelelő munkaruhát. Ne viseljen bő ruhát vagy ékszereket. Tartsa távol a haját, a ruháját és a kesztyűjét a mozgó részekről.** A bő ruhát, az ékszereket és a hosszú haját a mozgó alkatrészek magukkal ránthatják.
- ▶ **Ha az elektromos kéziszerszámra fel lehet szerelni a por elszívásához és összegyűjtéséhez szükséges berendezéseket, ellenőrizze, hogy azok megfelelő módon hozzá vannak kapcsolva a szerszámhoz, és rendeltetésüknek megfelelően működnek.** Porelszívó egység használata csökkenti a munka során keletkező por veszélyes hatását.
- ▶ **Ne ringassa magát hamis biztonságérzetbe, és ne hagyja figyelmen kívül az elektromos kéziszerszám biztonsági előírásait, akkor sem, ha az elektromos kéziszerszámot hosszú ideje használja, és ezáltal jól ismeri.** A figyelmetlen kezelés a másodperc tört része alatt súlyos sérülésekhez vezethet.

Az elektromos kéziszerszám használata és kezelése

- ▶ **Ne terhelje túl a gépet. Munkájához csak az arra szolgáló elektromos kéziszerszámot használja.** A megfelelő elektromos kéziszerszámmal a megadott teljesítménytartományon belül jobban és biztonságosabban lehet dolgozni.
- ▶ **Ne használjon olyan elektromos kéziszerszámot, amelynek a kapcsolója elromlott.** Egy olyan elektromos kéziszerszám, amelyet nem lehet sem be-, sem kikapcsolni, veszélyes, és meg kell javíttatni.
- ▶ **A gép beállítása, a tartozékok cseréje vagy a gép lehelyezése előtt húzza ki a csatlakozódugót a csatlakozóaljzatból és/vagy vegye ki a kivehető akkut a gépből.** Ez az elővigyázatossági intézkedés meggátolja a gép szándékolatlan üzembe helyezését.
- ▶ **A használaton kívüli elektromos kéziszerszámokat olyan helyen tárolja, ahol azokhoz gyerekek nem férhetnek hozzá. Ne hagyja, hogy olyan személyek használják az elektromos kéziszerszámot, akik nem ismerik a szerszámot, vagy nem olvasták el ezt az útmutatót.** Az elektromos kéziszerszámok veszélyesek, ha azokat gyakorlatlan személyek használják.
- ▶ **Mindig gondosan tartsa karban az elektromos kéziszerszámot és a tartozékokat. Ellenőrizze, hogy a mozgó alkatrészek kifogástalanul működnek-e, nincsenek-e beszorulva, és nincsenek-e eltörve vagy megrongálódva olyan alkatrészek, amelyek hátrányosan befolyásolhatják az elektromos kéziszerszám működését. Használat előtt javíttassa meg a gép megrongálódott alkatrészeit.** Sok balesetnek a rosszul karbantartott elektromos kéziszerszám az oka.



- ▶ **Tartsa tisztán és élesen a vágószerszámokat.** Az éles vágóélekkel rendelkező és gondosan ápolat vágószerszámok ritkábban ékelődnek be, és azokat könnyebben lehet vezetni és irányítani.
- ▶ **Az elektromos kéziszerszámokat, tartozékokat, betétszerszámokat stb. a jelen utasítások figyelembevételével használja. Vegye figyelembe a munkafeltételeket és a kivitelezendő munka sajátosságait.** Az elektromos kéziszerszám eredeti rendeltetésétől eltérő célokra való alkalmazása veszélyes helyzetekhez vezethet.
- ▶ **A markolatot és fogófelületeket tartsa száraz, tiszta, olaj- és zsírmentes állapotban.** A csúszós markolatok és fogófelületek nem teszik lehetővé az elektromos kéziszerszám biztonságos üzemeltetését és ellenőrzését az előre nem látható helyzetekben.

Szerviz

- ▶ **Az elektromos kéziszerszámot csak szakképzett személyzet javíthatja, kizárólag eredeti pótalkatrészek felhasználásával.** Ez biztosítja, hogy az elektromos kéziszerszám biztonságos maradjon.

2.2 Biztonsági tudnivalók minden fűrészhez

Fűrészelési eljárás

- ▶ **⚠ VESZÉLY: A keze ne kerüljön a fűrész és a fűrészlap közelébe. A másik kezével fogja meg a kiegészítő fogantyút vagy a motorházat.** Ha mindkét kezével a körfűrész fogja, akkor a fűrészlap nem sértheti meg a kezét.
- ▶ **Ne nyúljon a munkadarab alá.** A munkadarab alatt a védőfedél nem véd a fűrészlaptól.
- ▶ **Igazítsa hozzá a vágásmélységet a munkadarab vastagságához.** A munkadarab alatt kisebb rész maradjon, mint amennyi egy teljes fűrészfog magassága.
- ▶ **A fűrészrendő munkadarabot soha ne tartsa a kezében, illetve ne helyezze a lábára / térdére. Rögzítse a munkadarabot stabil tartóra.** Fontos a munkadarab megfelelő rögzítése, ugyanis ezzel csökkenthető annak a veszélye, hogy a gép hozzáérjen a testéhez, a fűrészlap beszoruljon, vagy a kezelő elveszíti az uralmát a gép fölött.
- ▶ **Az elektromos szerszámot csak a fogantyú szigetelt felületénél fogja meg, ha olyan munkát végez, amelynek során fennáll a veszély, hogy a betétszerszám rejtett elektromos vezetéket vagy a saját elektromos csatlakozókábelét találhatja el.** Ha a gép elektromos feszültséget vezető vezetékhez ér, akkor a gép fémrészei feszültség alá kerülnek, ami elektromos áramütéshez vezet.
- ▶ **Hosszanti vágás során használjon mindig ütközőt vagy egyenes elvezetőt.** Ez javítja a vágás pontosságát, és csökkenti a fűrészlap beragadásának lehetőségét.
- ▶ **Mindig megfelelő méretű és megfelelő (pl. csillag formájú vagy kör alakú) befogó furattal rendelkező fűrészlapot használjon.** Azok a fűrészlapok, amelyek nem illeszkednek a fűrész részegységeihez, egyenetlenül futnak, és a gép fölötti uralom elvesztését okozzák.
- ▶ **Soha ne használjon sérült vagy rossz fűrészlap-alátétlemezt, illetve -csavart.** A fűrészlap-alátétlemezek és -csavarok kifejezetten ehhez a fűrészhez készültek az ideális teljesítmény és üzembiztonság elérése érdekében.

Visszacsapódás - okok és a megfelelő figyelmeztetések

- A gép visszacsapódása egy beakadó, beszoruló vagy rosszul beállított fűrészlap következtében fellépő hirtelen reakció, aminek az a következménye, hogy az elszabadult fűrész megemelkedik, kiugrik a munkadarabból és a gépkezelő irányába csapódik;
- ha a fűrészlap megakad vagy beszorul az automatikusan záródó fűrésznyílásban, akkor a lap blokkolódik, és a motorerő visszacsapja a fűrész a gépkezelő irányába;
- ha a fűrészlap elfordul a vágatban vagy rosszul van beállítva, akkor a fűrészlap hátsó szélén lévő fűrészfogak beakadnak a munkadarab felületébe, ezáltal a fűrészlap kiugrik a fűrésznyílásból és a fűrész visszacsapódik a gépkezelő irányába.

A visszacsapódás a fűrész hirtelen vagy hibás használatának következménye. Megfelelő óvintézkedésekkel, amelyekről a későbbiekben olvashat, a gép visszacsapódása megakadályozható.

- ▶ **Két kézzel fogja a fűrész, és tartsa a karját úgy, hogy ellen tudjon tartani a visszacsapódásból eredő erőknél. Mindig oldalra tartsa a fűrészlapot, soha ne hozza a fűrészlapot egy vonalra a testével.** Visszacsapódás közben a körfűrész hátracsapódhat, azonban a gép kezelője uralhatja a visszacsapódásból eredő erőt, ha megtette az ehhez szükséges óvintézkedéseket.
- ▶ **Ha a fűrész tárcsa beszorul, vagy Ön megszakítja a munkát, akkor kapcsolja ki a gépet, és tartsa nyugodtan a munkadarabban addig, amíg a fűrész tárcsa leáll. Soha ne próbálja meg kivenni a fűrész a munkadarabból, vagy hátrafelé húzni a fűrész addig, míg a fűrészlap mozog, egyébként a gép visszacsapódhat.** Állapítsa meg és szüntesse meg a fűrészlap beszorulásának okát.
- ▶ **Ha újra el akarja indítani a munkadarabra beszorult fűrész, akkor központozza a fűrésznyílásban a fűrészlapot, és ellenőrizze, nem akadtak-e meg a fűrészfogak a munkadarabban.** Ha a fűrészlap beszorult, akkor az újraindítás során kiugorhat a munkadarabból, vagy visszacsapódást okozhat.



- ▶ **A nagyobb lemezeket támassza alá, hogy csökkenthető legyen a beszorult fűrészlap visszacsapódásának kockázata.** A nagyobb lemezek meghajolhatnak a saját súlyuk alatt. A lemezeket mindkét oldalon alá kell támasztani, mind a fűrésznyílás közelében, mind az élnél.
- ▶ **Soha ne használjon tompa vagy sérült fűrészlapot.** Tompa vagy rosszul beállított fogazattal rendelkező fűrészlapok a szűkebb fűrészelési nyílás következtében nagyobb súrlódást hozhatnak létre és a fűrészlap beszorulását okozhatják, illetve visszacsapódhatnak.
- ▶ **A fűrészelés előtt húzza meg a vágásmélység- és a metszésszög-beállítást.** Ha fűrészelés közben megváltoznak a beállítások, akkor a fűrészlap beszorulhat és visszacsapódhat.
- ▶ **Legyen különösen óvatos, ha meglévő falakon vagy egyéb más, be nem látható területen végez fűrészelést.** Fűrészelés közben a bemerülő fűrészlap rejtett objektumokba akadhat és visszacsapódást okozhat.

Az alsó védőfedél működése

- ▶ **Minden használat előtt ellenőrizze, hogy kifogástalanul zárul-e az alsó védőfedél. Ne használja a fűrész, ha az alsó védőfedél nem mozog szabadon és nem zárul be azonnal. Soha ne szorítsa be vagy kösse be az alsó védőfedelelet, ha az nyitva van.** Ha a fűrész véletlenül leesik a földre, akkor az alsó védőfedél elhajolhat. A visszahúzó karral nyissa ki a védőfedelelet és győződjön meg róla, hogy a fedél szabadon mozog, és egyik metszőszögnél és vágási mélységnél sem ér hozzá sem a fűrészlaphoz, sem a többi részhez.
- ▶ **Ellenőrizze az alsó védőfedél rugóinak működését. Ha az alsó védőfedél és a rugók nem működnek kifogástalanul, akkor használat előtt végeztesse el a fűrész karbantartását.** A sérült alkatrészek, ragacos lerakódások vagy a felgyülemlett forgács akadályozzák a védőfedél működését.
- ▶ **Csak speciális vágások, pl. ún. „merülővágások és szögvágások” elvégzése esetén nyissa ki manuálisan az alsó védőfedelelet. Nyissa ki az alsó védőfedelelet a visszahúzó karral, és engedje el a kart, amint a fűrészlap bemerült a munkadarabba.** Az alsó védőfedélnek minden fűrészelési mód közben automatikusan kell működnie.
- ▶ **Ne tegye le a fűrész a munkapadra vagy a padlóra úgy, hogy az alsó védőfedél nem takarja a fűrészlapot.** A védelem nélküli fűrészlap utánfutáskor a vágási iránnyal szemben mozgatja a gépet, és elfűrészeli, ami az útjába kerül. Vegye figyelembe a gép utánfutási idejét.

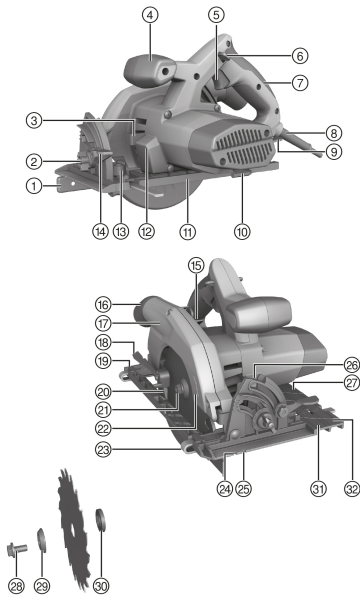
2.3 Kiegészítő biztonsági tudnivalók körfűrészekhez

- ▶ A kézi körfűrész csak bekapcsolt állapotban vezesse a munkadarabhoz.
 - ↳ Felül és alul a vágás útjának akadálymentesnek kell lennie. A géppel ne fűrészeljen csavarokat, szögeket stb.
- ▶ A kézi körfűrészrel soha ne dolgozzon fej fölött.
- ▶ Soha ne fékezze le a fűrészlapot annak oldalirányú megnyomásával.
- ▶ Kerülje a fűrészfogak csúcsainak túlhevülését.
- ▶ Műanyag fűrészelésekor kerülni kell a műanyag megolvadását.
- ▶ A vágandó aljzathoz mindig a hozzá tartozó fűrészlapot használja.
- ▶ Kizárólag a Hilti által ajánlott fűrészlapokat használjon, amelyek megfelelnek az EN 847-1 szabvány előírásainak.



3 Leírás

3.1 Termékáttekintés 1



- ① Egykaros párhuzamos ütköző
- ② Előbeállítás a vágószöghez
- ③ Orsóörgzítő gomb
- ④ Pótfogantyú
- ⑤ Be-/kikapcsoló gomb
- ⑥ Bekapcsolásgátló
- ⑦ Markolat
- ⑧ Elektromos csatlakozókábel
- ⑨ Szorítókar a vágásmélység beállításához
- ⑩ Imbuszkulcs
- ⑪ Kis alaplemez
- ⑫ LED világítás
- ⑬ Elülső párhuzamos ütköző szorítókarja
- ⑭ Szorítókar a vágószög beállításához
- ⑮ Vágásmélység-skála
- ⑯ Csatlakozócsonk (porszívó)
- ⑰ Védőburkolat
- ⑱ Lengő védőfedél kezelőkarja
- ⑲ Hátsó párhuzamos ütköző szorítókarja (csak nagy alaplemez esetén)
- ⑳ Lengő védőfedél
- ㉑ Hajtóorsó
- ㉒ Forgásirányt mutató nyíl
- ㉓ Kétkaros párhuzamos ütköző
- ㉔ Vágásjelölés 0°
- ㉕ Vágásjelölés 45°
- ㉖ Szögmutató skála
- ㉗ Nagy alaplemez
- ㉘ Szorítócsavar
- ㉙ Szorítókarima
- ㉚ Tokmánykarima
- ㉛ Horonyjelölés 0° alaplemez
- ㉜ Horonyjelölés 1-50° alaplemez

3.2 Vezetősín-adapter áttekintése 2

- ③③ Tartóborda hátul
- ③④ Tartóborda elől
- ③⑤ Horonyjelölés 0°
- ③⑥ Horonyjelölés 1-50°

3.3 Rendeltetéseszerű használat

Az itt ismertetett termék egy körfűrész. Fa vagy fához hasonló anyagok, műanyag, gipszkarton, gipszkartonlapok és többnemű kompozit anyagok vágási munkálataira használható max. 55 mm vágásmélységig, valamint gérvágáshoz 50°-ig.

3.3.1 Lehetséges hibás használat

Tilos olyan fűrészlapokat használni, amelyek nem felelnek meg a műszaki adatoknál megadottaknak, továbbá tilos darabolótárcsákat, csiszolótárcsákat, valamint erősen ötvöztött gyorsacélból (HSS-acél) készült fűrészlapokat használni. A géppel tilos fémeket fűrészelni.

3.4 Szállítási terjedelem

Körfűrész, fűrészlap, imbuszkulcs, párhuzamos ütköző, használati utasítás.



i A biztonságos üzemelés érdekében csak eredeti pótalkatrészeket és fogyóanyagokat használjon. Az általunk engedélyezett pótalkatrészeket, fogyóanyagokat és tartozékokat termékéhez megtalálja a **Hilti Store** helyeken vagy az alábbi címen: **www.hilti.group**

4 Műszaki adatok

4.1 Műszaki adatok

i A gép névleges feszültségét, névleges áramfelvételét, frekvenciáját, valamint névleges teljesítményfelvételét az adott országra vonatkozó típus táblán találja.

Generátorral vagy transzformátorral való működtetés esetén annak leadott teljesítménye legyen legalább a duplája a gép típus tábláján megadott névleges teljesítményfelvételi értékeknek. A transzformátor vagy a generátor üzemi feszültsége mindig essen a gép névleges feszültségfelvételi értékeinek +5%-os és -15%-os határa közé.

Tömeg, kis alaplemez	4,5 kg
Tömeg, nagy alaplemez	4,7 kg
Fűrészlap átmérője	160 mm ... 165 mm
A fűrészlapok alap lapvastagsága	1,1 mm ... 1,5 mm
Fűrészlapbefogó furat	20 mm
0°-os vágásmélység	0 mm ... 55 mm
45°-os vágásmélység	0 mm ... 41 mm
50°-os vágásmélység	0 mm ... 37 mm
Üresjárat fordulatszám	5 500 ford./perc

4.2 Zajinformációk és rezgési értékek az EN 62841 szabvány szerint

A jelen útmutatókban megadott hangnyomás- és rezgési értékeket egy szabványosított mérési eljárás keretében mértük meg, és alkalmasak elektromos kéziszerszámok egymással történő összehasonlítására. Az értékek emellett alkalmasak az expozíció előzetes megbecsülésére.

A megadott adatok az elektromos szerszám fő alkalmazási területeire vonatkoznak. Ha az elektromos kéziszerszámot más célra, eltérő betétszerszámokkal használják, vagy nem megfelelően tartják karban, akkor az adatok eltérőek lehetnek. Ez jelentősen megnövelheti az expozíciókat a munkaidő teljes időtartama alatt. Az expozíció pontos megbecsüléséhez azokat az időszakokat is figyelembe kell venni, amikor a gépet lekapcsolták, vagy a gép ugyan működik, de ténylegesen nincs használatban. Ez jelentősen csökkentheti az expozíciókat a munkaidő teljes időtartama alatt.

Hozzon kiegészítő intézkedéseket a kezelő védelme érdekében a hang és/vagy a rezgés hatásai ellen, mint például: Elektromos kéziszerszámok és betétszerszámok karbantartása, a gépkezelő kezének melegen tartása, a munkafolyamatok megszervezése.

Zajértékek

Hangteljesítményszint (L_{WA})	101 dB(A)
Hangnyomásszint (L_{pA})	90 dB(A)
Bizonytalanság	3 dB(A)

Vibrációs értékek

	230 V	110 V
Triaxiális rezgés gyorsulási érték fa fűrészélése esetén (a_h)	1,77 m/s ² (5,81 ft/s ²)	2,12 m/s ² (6,96 ft/s ²)
Bizonytalanság (K)	1,5 m/s ²	1,5 m/s ²



5 Üzemeltetés

5.1 Fűrészlap kiserelése

FIGYELMEZTETÉS

Égési sérülés veszélye A forró szerszám, szorítókarima vagy szorítócsavar, valamint az éles fűrészlap okozta veszély.

- ▶ Használjon védőkesztyűt, amikor a szerszámot cseréli.

1. Húzza ki a hálózati dugót a csatlakozóaljzatból.
2. Helyezze az imbuszkulcsot a fűrészlap rögzítőcsavarjához.
3. Nyomja meg az orsórögzítő gombot, és tartsa lenyomva.
4. Az imbuszkulcs segítségével fordítsa el a fűrészlap szorítócsavarját, míg az orsórögzítő gomb teljesen be nem retheszel.
5. Oldja a szorítócsavart az imbuszkulccsal a forgásirányt jelző nyílall egyező irányba forgatva.
6. Vegye le a szorítócsavart és a külső szorítókarimát.
7. Elfordítással nyissa ki a lengő védőfedeleet és távolítsa el a fűrészlapot.



Szükség esetén a tokmánykarima levehető a tisztításnál.

5.2 Fűrészlap beszerelése

VIGYÁZAT

Sérülésveszély A nem megfelelő vagy rosszul behelyezett fűrészlapok a fűrész sérülését okozhatják.

- ▶ Csak ehhez a fűrészhez alkalmas fűrészlapokat használjon. Ügyeljen a fűrészlap forgásirányára, amit a nyílak mutatnak.
- ▶ Csak olyan fűrészlapot használjon, amelynek a megengedett fordulatszáma legalább akkora, mint a terméken megadott maximális fordulatszám.

1. Húzza ki a hálózati dugót a csatlakozóaljzatból.
2. Tisztítsa meg a tokmány- és a szorítókarimát.
3. Helyezze fel helyes irányban a külső tokmánykarimát.
4. Nyissa ki a lengő védőfedeleet.
5. Helyezze be az új fűrészlapot.
6. Helyezze fel helyes irányban a külső szorítókarimát.
7. Helyezze be a szorítócsavart.
8. Helyezze az imbuszkulcsot a fűrészlap szorítócsavarjához.
9. Az óramutató járásával megegyező irányba forgatva rögzítse a szorítócsavarral a szorítókarimát. Egyik kezével tartsa benyomva az orsórögzítő gombot.
10. Üzembe helyezés előtt ellenőrizze, hogy a fűrészlap megfelelően illeszkedik-e.

5.3 Vágásmélység beállítása

1. Húzza ki a hálózati dugót a csatlakozóaljzatból.
2. Lazítsa meg a vágásmélység-beállító szorítókarját.
3. Emelje meg a körfűrész tóló szerű mozgással, és állítsa be a vágásmélységet.
 - ↳ A vágásmélység a vágásmélység-skálán látható.



Tiszta vágási élhez a vágásmélység az anyagvastagság plusz 2 mm értéknek feleljen meg.

4. Rögzítse a szorítókart a beállított vágásmélységnél.

5.4 Vágószög beállítása

1. Húzza ki a hálózati dugót a csatlakozóaljzatból.
2. Lazítsa meg a vágószög-beállító szorítókarját.
3. A kívánt vágószögig fordítsa el a talplemezt.
 - ↳ A vágószög a szögmutató skálán látható.



4. Húzza meg a vágásszög-beállító szorítókarját.

5.5 Előrajzolat-mutató

A körfűrész elülső alaplemeznél az egyenes és a ferde vágásokhoz is egy előrajzolat-mutató található (0° és 45°). Ennek segítségével a kiválasztott vágási szögben végezhető el a precíz vágás. Az előrajzolat széle a fűrészlap belső oldalának felel meg. A fűrészlap elülső kivágásánál egy előrajzolat-mutató található.

5.5.1 Fűrészelés előrajzolat mentén



Biztosítsa a munkadarabot elcsúszás ellen.

Helyezze el úgy a munkadarabot, hogy a fűrészlap szabadon mozogjon a munkadarab alatt.

Győződjön meg arról, hogy a termék be-/kikapcsoló gombja a KI állásban van.

Helyezze a körfűrész az alaplemezrel együtt úgy a munkadarabra, hogy a fűrészlap még ne érjen hozzá a munkadarabhoz.

1. Kapcsolja be a körfűrész.
2. Megfelelő tempóban vezesse végig a körfűrész a munkadarabon az előrajzolt minta mentén.

5.6 Fűrészelés párhuzamos ütközőkkel

Az egykarú párhuzamos ütköző pontos vágásokat tesz lehetővé a munkadarab élei mentén, ill. segítségével azonos méretű léceket lehet kivágni. A párhuzamos ütközőt az alaplemez mindkét oldalára fel lehet szerelni.

A kétkaros párhuzamos ütköző csak a nagy alaplemezrel alkalmazható.

A párhuzamos ütköző összeszerelésénél ügyeljen a megfelelő irány beállítására.

5.7 Fűrészelés vezetősínnel.

Ha fűrészelés közben vezetősínt használ, csökkenthető a visszacsapódás bekövetkezésének lehetősége.

5.7.1 Körfűrész behelyezése a vezetősín-adapterbe, ill. kivételé



Kis alaplemezrel rendelkező fűrészeknél használjon vezetősín-adaptert, amely illeszkedik a vezetősínhez.

1. Távolítsa el az esetleg felszerelt párhuzamos ütközőt.
2. Vezesse be az alaplemezt a vezetősín-adapter hátsó tartóbordájába.
3. Helyezze be az alaplemezt elől teljesen a vezetősín-adapterbe. Az alaplemeznek az elülső tartóbordába teljesen be kell reteszelnie.
4. A gép kiemeléséhez húzza az elülső tartóbordát könnyedén előre, és vegye ki a körfűrész a vezetősín-adapterből.

5.7.2 0°-os hosszanti vágások

- ▶ Helyezze a fűrész a „0°” horonyjelöléssel a vezetősín bordájára.

5.7.3 Max. 50°-os vágószöggel végzett hosszanti vágások

VIGYÁZAT

Sérülésveszély A fűrész nem megfelelő horonyba való behelyezése esetén ütközik a fűrészlap és a vezetősín.

- ▶ A fűrész a megfelelő horonyba helyezze.

- ▶ Helyezze a fűrész a „1-50°” horonyjelöléssel a vezetősín bordájára.

5.7.4 Fűrészelés vezetősínnel

1. Két pillanatszorító segítségével rögzítse alulról a vezetősínt.
2. Helyezze a körfűrész a vezetősín felhelyezési területére. 20° és 50° közötti vágószöggel végzett hosszanti vágásoknál kézzel nyissa ki a védőburkolatot.



A körfűrész a munkadarab mögött kell a vezetősínre felhelyezni.

Ügyeljen arra, hogy a fűrészlap ne érintkezzen a munkadarabbal.

3. Kapcsolja be a körfűrész.



4. Tolja a körfűrész egyenletesen végig a munkadarabon.
 - ↳ A lengő védőfedél 20° alatti vágószögeknél az oldalsó kioldóperem érintésekor kinyílik.
 - ↳ A védőfedél újra bezáródik, amikor kihalad a vezetősín végén.

5.8 Fűrészelés forgácsolószívóval és anélkül

A körfűrész 27 mm átmérőjű elszívótömlők csatlakoztatására alkalmas csatlakozócsonkokkal van felszerelve. A porelszívó tömlő körfűrészhez való csatlakoztatásához szükség lehet egy megfelelő adapterre. Lehetőleg mindig fához, vagy fához és ásványi anyagokhoz alkalmas elszívómobilt használjon. Ha forgácsolószívás nélkül dolgozik, olyan irányba forgassa el a forgácsolódobót, hogy az a forgácsot ne ön felé vezesse ki.



Használjon P2 szűrőosztályú légzőmaszkot, és gondoskodjon a megfelelő szellőztetésről a porterhelés alacsony tartásához.

6 Ápolás és karbantartás

6.1 Ápolás és karbantartás



FIGYELMEZTETÉS

Elektromos áramütés veszélye! A csatlakoztatott hálózati kábellel végzett ápolás és karbantartás súlyos sérüléseket és égési sérülést okozhat.

- ▶ Minden ápolási és karbantartási munka előtt húzza ki a hálózati csatlakozót!

Ápolás

- Óvatosan távolítsa el a szilárdan tapadó szennyeződést.
- Száraz kefével tisztítsa meg óvatosan a szellőzőnyílásokat.
- A hátat csak enyhén nedves kendővel tisztítsa. Ne használjon szilikontartalmú ápolószert, mivel az károsíthatja a műanyag alkatrészeket.

Karbantartás



FIGYELMEZTETÉS

Áramütés veszélye! Az elektromos alkatrészek nem szakszerű javítása súlyos sérülésekhez és égési sérülésekhez vezethet.

- ▶ A gép elektromos részeit csak szakképzett villamossági szakember javíthatja.
- Rendszeresen ellenőrizze a látható részeket sérülés, illetve a kezelőelemeket kifogástalan működés szempontjából.
- Sérülések és/vagy funkciózavar esetén ne működtesse a terméket. Azonnal javíttassa meg a **Hilti** Szervizben.
- Az ápolási és karbantartási munkák után minden védőfelszerelést szereljen fel, és ellenőrizze a gép működését.



A biztonságos üzemelés érdekében csak eredeti pótalkatrészeket és fogyóanyagokat használjon. Az általunk engedélyezett pótalkatrészeket, fogyóanyagokat és tartozékokat termékéhez megtalálja a **Hilti Store** helyeken vagy az alábbi címen: www.hilti.group.

6.2 A gép ellenőrzése az ápolás és karbantartás után



Minden ápolási és karbantartási eljárás után ellenőrizze, hogy minden védőfelszerelés a helyén van-e, és maga a gép hibátlanul működik-e.

- ▶ A lengő védőfedél ellenőrzéséhez nyissa ki azt teljesen a kezelőkar segítségével.
 - ↳ A kezelőkar elengedését követően a lengő védőfedélnek gyorsan és teljesen be kell záródnia.

6.3 Forgácsolószívó tisztítása



A tisztítás során szükség esetén távolítsa el a fűrészlapot.



1. Húzza ki a hálózati dugót a csatlakozóaljzatból.
2. Szerelje ki a fűrészlapot. → Oldal 121
3. Tisztítsa meg a forgácscsatornát.
4. Szerelje be a fűrészlapot. → Oldal 121
5. Ellenőrizze, hogy a mozgó alkatrészek kifogástalanul működnek-e, nincsenek-e beszorulva, és nincsenek-e eltörve vagy megrongálódva olyan alkatrészek, amelyek hatással lehetnek a gép működésére.

6.4 A védőberendezés tisztítása

1. Szerelje ki a fűrészlapot. → Oldal 121
2. Tisztítsa meg óvatosan a védőberendezést egy száraz kefével.
3. Távolítsa el a védőberendezés belsejéből a lerakódást és a forgácsot egy megfelelő szerszámmal.
4. Szerelje be a fűrészlapot. → Oldal 121

7 Hibakeresés

Üzemzavar	Lehetséges ok	Megoldás
A gép nem a teljes teljesítményen működik.	A hosszabbítóvezeték túl hosszú és / vagy túl kicsi a keresztmetszete.	▶ Megengedett hosszúságú és / vagy elegendő keresztmetszetű hosszabbítókábelt használjon.
	Az áramellátás feszültsége túl kicsi.	▶ Csatlakoztassa a gépet egy másik áramellátásra.
A gép nem működik.	Az áramellátás megszakadt.	▶ Csatlakoztasson egy másik elektromos gépet és ellenőrizze a működést.
	A hálózati kábel vagy a csatlakozódugó meghibásodott.	▶ Ellenőriztesse a hálózati kábel és a csatlakozódugót villanszerelővel, és szükség esetén cseréltesse ki a Hilti Szervizzel.
	A be-/kikapcsoló gomb meghibásodott.	▶ Javítsa meg a terméket a Hilti Szervizben.
	A szén elkopott.	▶ Javítsa meg a terméket a Hilti Szervizben.
Nincs vagy korlátozott az elszívóteljesítmény	A forgácscsatorna eldugult.	▶ Tisztítsa meg a forgácscsatornát. → Oldal 123
A lengő védőfedél nem záródik.	A védőberendezés eltömődött.	▶ Tisztítsa meg a védőberendezést. → Oldal 124
A gép erősebben vibrál, mint szokott.	A fűrészlap hibásan van beszerelve.	▶ Szerelje ki a fűrészlapot és szerelje be helyesen.

8 Ártalmatlanítás

A **Hilti** gépek nagyrészt újrahasznosítható anyagokból készülnek. Az újrahasznosítás előtt az anyagokat gondosan szét kell válogatni. A **Hilti** sok országban már visszaveszi használt gépét újrahasznosítás céljára. Kérdezze meg a **Hilti** ügyfélszolgálatot vagy kereskedelmi tanácsadóját.



- ▶ Az elektromos kéziszerszámokat, elektromos készülékeket és akkukat ne dobja a háztartási szeméttel!

9 RoHS (Veszélyes anyagok alkalmazásának korlátozásáról szóló irányelv)

A következő linken elérhető a veszélyes anyagok táblázata: qr.hilti.com/r2937786.

A dokumentáció végén található QR-kódon keresztül elérhető a RoHS táblázat.



10 Gyártói garancia

- ▶ Kérjük, a garancia feltételeire vonatkozó kérdéseivel forduljon helyi **Hilti** partneréhez.



1 Құжаттама бойынша деректер

1.1 Бұл құжаттама туралы



Импорттауыш және өндірушінің өкілетті ұйымы

- (RU) Ресей Федерациясы
"Хилти Дистрибьюшн ЛТД" АҚ, 141402, Мәскеу облысы, Химки қ., Ленинградская көш., фирм. 25
- (BY) Беларусь Республикасы
222750, Минск облысы, Дзержинский ауданы, Р-1, 18-ші км, 2 (Слободка ауылының жанында), 1-34 бөлімі
- (KZ) Қазақстан Республикасы
Қазақстан Республикасы, индекс 050011, Алматы қ., Пугачев көш., 4-үй
- (KG) Қырғыз Республикасы
"Т AND Т" ЖШҚ, 720021, Қырғызстан, Бішкек қ., Ибраимов көш., 29 А үйі
- (AM) Армения Республикасы
Эйч-Кон ЖШҚ, Армения Республикасы, Ереван қ., Бабаян көш., 10/1 үйі

Өндірілген елі: жабдықтағы белгілеу тақтайшасын қараңыз.

Өндірілген күні: жабдықтағы белгілеу тақтайшасын қараңыз.

Тиісті сертификатты мына мекенжай бойынша табуға болады: www.hilti.ru

Сақтау, тасымалдау және пайдалану шарттарына пайдалану бойынша нұсқаулықта белгіленгеннен басқа арнайы талаптар қойылмайды.

Өнімнің қызмет ету мерзімі 5 жыл.

- Іске қосу алдында осы құжаттаманы оқып шығыңыз. Бұл қауіпсіз жұмыс пен ақаусыз басқару үшін алғышарт болып табылады.
- Осы құжаттамадағы және өнімдегі қауіпсіздік және ескерту нұсқауларын орындаңыз.
- Пайдалану бойынша нұсқаулықты әрдайым өнімде сақтаңыз және оны басқа тұлғаларға тек осы нұсқаулықпен бірге тапсырыңыз.

1.2 Шартты белгілердің анықтамасы

1.2.1 Ескерту

Ескертулер өнімді қолдану барысындағы қауіптер туралы ескертеді. Төмендегі сигналдық сөздер пайдаланылады:



ҚАУІПТІ

ҚАУІПТІ !

- ▶ Ауыр жарақаттарға әкелетін немесе өмірге қауіп төндіретін тікелей қауіпті жағдайдың жалпы белгіленуі.



ЕСКЕРТУ

ЕСКЕРТУ !

- ▶ Ауыр жарақаттарға әкелуі немесе өмірге қауіп төндіруі мүмкін ықтимал қауіпті жағдайдың жалпы белгіленуі.



АБАЙЛАҢЫЗ

АБАЙЛАҢЫЗ !

- ▶ Жеңіл жарақаттарға немесе аспаптың зақымдалуына әкелуі мүмкін ықтимал қауіпті жағдайдың жалпы белгіленуі.

1.2.2 Құжаттамадағы белгілер

Бұл құжаттамада төмендегі белгілер пайдаланылады:



Пайдалану алдында пайдалану бойынша нұсқаулықты оқу қажет



	Аспапты пайдалану бойынша нұсқаулар және басқа пайдалы ақпарат
	Қайта пайдалануға болатын материалдармен жұмыс істеу
	Электр аспаптарды және аккумуляторларды тұрмыстық қоқысқа тастамаңыз

1.2.3 Суреттердегі белгілер

Суреттерде төмендегі белгілер қолданылады:

	Бұл сандар осы нұсқаулықтың басындағы әр суретке сәйкес келеді
3	Нөмірлеу суреттегі жұмыс қадамдарының реттілігін білдіреді және мәтіндегі жұмыс қадамдарынан өзгешеленуі мүмкін
	Позиция нөмірлері Шолу суретінде қолданылады және Өнімге шолу мақаласындағы шартты белгілердің нөмірлеріне сілтейді
	Аталмыш белгілер өнімді қолдану барысында айрықша назарыңызды аудартады.

1.3 Өнімге қатысты белгілер

1.3.1 Өнімдегі белгілер

Өнімде төмендегі белгілер пайдаланылады:

	Құрылғы iOS және Android платформаларымен үйлесімді NFC технологиясын қолдайды.
n_0	Жүктемесіз номиналды айналу жиілігі
	II қорғау класы (қос изоляция)
	Ара төсемі

1.4 Өнім туралы ақпарат

HILTI өнімдері кәсіби пайдаланушыларға арналған және оларды тек қана өкілетті, білікті қызметкерлер пайдалануы, күтім және техникалық қызмет көрсетуі тиіс. Қызметкерлер қауіпсіздік техникасы бойынша арнайы нұсқау алуы керек. Өнім мен оның қосалқы құралдарын басқа мақсатта қолдану немесе олардың оқытылмаған қызметкерлердің таралынан пайдаланылуы қауіпті.

Түр сипаттамасы мен сериялық нөмір фирмалық тақтайшада берілген.

- Сериялық нөмірді төмендегі кестеге көшіріп қойыңыз. Өнім туралы мәліметтерді өкілдігімізге немесе қызмет көрсету бөлімімізге сұрау беру арқылы алуға болады.

Өнім туралы мәліметтер

Циркулярлық ара	SC 55W
Буын	01
Сериялық нөмір	

1.5 Сәйкестілік декларациясы

Біз осы нұсқаулықта сипатталған өнімнің қолданыстағы директивалар мен нормативтерге сәйкес келетінін толық жауапкершілікпен жариялаймыз. Сәйкестілік декларациясының суреті осы құжаттамаңыз соңында орналасқан.

Техникалық құжаттама мына жерде сақталған:

Hilti Entwicklungsgesellschaft mbH | Zulassung Geräte | Hiltistraße 6 | 86916 Kaufering, DE



2.1 Электр құралдары үшін қауіпсіздік техникасы бойынша жалпы нұсқаулар

⚠ ЕСКЕРТУ Бұл электр құралына арналған барлық қауіпсіздік нұсқауларын, нұсқауларды, суреттерді және техникалық деректерді оқып шығыңыз. Төменде берілген нұсқауларды орындамау электр тогының соғуына, өртке әкелуі мүмкін және/немесе ауыр жарақаттарды тудыруы мүмкін.

Қауіпсіздік техникасы бойынша барлық нұсқауларды және нұсқауларды келесі пайдаланушы үшін сақтаңыз.

Қауіпсіздік нұсқауларында қолданылатын «электр құралы» термині электр желісінен (желілік кабельмен) және аккумулятордан (желілік кабельсіз) жұмыс істейтін электр құралын білдіреді.

Жұмыс орны

- ▶ **Жұмыс орнындағы тазалықты және тәртіпті қадағалаңыз.** Жұмыс орнындағы ретсіздік және нашар жарық сәтсіз жағдайларға әкелуі мүмкін.
- ▶ **Жанғыш сұйықтықтар, газдар немесе шаң бар жарылыс қаупі бар аймақта электр құралын қолданбаңыз.** Жұмыс кезінде электр құралдары ұшқындар шығады және ұшқындар шаңды немесе буларды тұтандыруы мүмкін.
- ▶ **Балалардың және бөгде адамдардың жұмыс істеп тұрған электр құралына жақындауына рұқсат етпеңіз.** Жұмысқа көңіл бөлмегенде, электр құралын бақылау жоғалуы мүмкін.

Электр қауіпсіздігі

- ▶ **Электр құралдың байланыс ашасы электр желісінің розеткасына сай болуы керек. Айырдың конструкциясын өзгертеңіз. Қорғауыш жерге қосуы бар электр құралдарымен бірге өтпелі айырларды қолданбаңыз.** Түпнұсқа айырлар және оларға сай розеткалар электр тогының соғу қаупін азайтады.
- ▶ **Жерге қосылған беттерге, мысалы, құбырларға, жылыту құралдарына, пештерге (плиталарға) және тоңазытқыштарға тікелей тиюді болдырмаңыз.** Жерге қосылған заттарға тигенде электр тогының соғуының үлкен қаупі туындайды.
- ▶ **Электр құралдарды жаңбырдан немесе ылғал әсерінен сақтаңыз.** Электр құралға су тиюі нәтижесінде электр тогының соғу қаупі артады.
- ▶ **Байланыс сымын басқа мақсатта қолданбаңыз, мысалы, электр құралды тасымалдау, оны іліп қою немесе электр желісінің розеткасынан айырды шығару үшін.** Байланыс сымын жылу, май, өткір жиектер немесе жылжымалы бөліктерден алшақ ұстаңыз. Байланыс сымының зақымдалуы немесе қабаттасуы нәтижесінде электр тогының соғу қаупі артады.
- ▶ **Егер жұмыстар ашық ауада орындалса, тек бөлмелерден тыс қолдануға рұқсат етілген ұзартқыш сымдарды пайдаланыңыз.** Бөлмелерден тыс қолдануға жарамды ұзартқыш сымды пайдалану электр тогының соғу қаупін азайтады.
- ▶ **Егер электр құралмен ылғалдылық жағдайларында жұмыс істеуді болдырмау мүмкін емес болса, шығып кететін токтан қорғау автоматын қолданыңыз.** Шығып кететін токтан қорғау автоматын қолдану электр тогының соғу қаупін азайтады.

Адамдардың қауіпсіздігі

- ▶ **Ұқыпты болыңыз, әрекеттеріңізге көңіл бөліңіз және электр құралымен жұмыс істеуге дұрыс қараңыз.** Шаршаған кезде немесе есірткі, алкоголь не дәрі қабылдаған соң электр құралын қолданбаңыз. Электр құралын қолданған кездегі зейінсіздік ауыр жарақаттарға апарып соғуы мүмкін.
- ▶ **Жеке қорғану құралдарын пайдаланыңыз және әрқашан міндетті түрде қорғауыш көзілдірікті киіңіз.** Электр құралының түріне және пайдалану жағдайларына байланысты жеке қорғану құралдарын, мысалы, шаңнан қорғайтын респираторды, сырғымайтын аяқ киімді, қорғауыш шлемді, естуді қорғау құралдарын қолдану жарақаттану қаупін азайтады.
- ▶ **Электр құралының кездейсоқ қосылуын болдырмаңыз.** Электр қуатына қосу және/немесе аккумуляторды қою, көтеру немесе тасымалдау алдында электр құралы өшірілгеніне көз жеткізіңіз. Электр құралын тасымалдағанда саусақтар сөндіргіште болатын немесе қосылған электр құралы желіге қосылатын жағдайлар сәтсіз жағдайларға әкелуі мүмкін.
- ▶ **Электр құралын қосу алдында реттеуші құрылғыларды және гайка кілтін алыңыз.** Электр құралының айналатын бөлігіндегі аспап немесе кілт жарақаттарға әкелуі мүмкін.
- ▶ **Жұмыс кезінде ыңғайсыз қалыптарға тұрмауға тырысыңыз. Үнемі тұрақты күйді және тепе-теңдікті сақтаңыз.** Бұл күтпеген жағдайларда электр құралын жақсырақ басқаруға мүмкіндік береді.
- ▶ **Арнайы киімді киіңіз. Өте бос киімді немесе әшекейлерді кимеңіз. Шашты, киімді және қолғапты электр құралының айналатын түйіндерінен сақтаңыз.** Бос киім, әшекейлер және ұзын шаш оларға ілінуі мүмкін.



- ▶ Егер шаңды жинау және кетіруге арналған құрылғыларды қосу қарастырылған болса, олар қосылғанына және мақсаты бойынша қолданылып жатқанына көз жеткізіңіз. Шаңды кетіру модулін пайдалану шаңның зиянды әсерін азайтады.
- ▶ Өз мойныңызға қате қауіпсіздік сезімін алмаңыз және электр құралына арналған қауіпсіздік ережелерін бұзбаңыз, тіпті электр құралын жиі қолданатын тәжірибелі пайдаланушы болсаңыз. Мұқиятсыз қолдану бірнеше секундта ауыр жарақаттануға апарып соғуы мүмкін.

Электр құралын қолдану және оған қызмет көрсету

- ▶ Аспапқа шамадан тыс жүктеме түсуін болдырмаңыз. Нақ осы жұмысқа арналған электр құралын қолданыңыз. Бұл ережені сақтау көрсетілген қуат диапазонында жоғарырақ жұмыс сапасын және қауіпсіздігін қамтамасыз етеді.
- ▶ Сөндіргіші бұзылған электр құралын қолданбаңыз. Қосу немесе өшіру қиын электр құралы қауіпті және оны жөндеу керек.
- ▶ Электр құралын реттеуге, саймандарды ауыстыруға кірісу алдында немесе жұмыстағы үзіліс алдында розеткадан ашаны және/немесе электр құралына арналған салмалы аккумуляторды шығарыңыз. Бұл сақтық шарасы электр құралының кездейсоқ қосылуын болдырмайды.
- ▶ Қолданылмайтын электр құралдарын балалар жетпейтін жерде сақтаңыз. Аспаптан танымал емес немесе осы нұсқауларды оқып шықпаған адамдарға аспапты пайдалануға рұқсат бермеңіз. Электр құралдары тәжірибесі жоқ пайдаланушылардың қолында қауіпті болады.
- ▶ Электр құралдары мен керек-жарақтарға ұқыпты қараңыз. Айналымды бөліктердің мүлтіксіз қызмет ететінін, олардың жүрісінің жеңілдігін, барлық бөліктердің тұтастығын және электр құралының жұмысына теріс әсер етуі мүмкін зақымдардың жоқтығын тексеріңіз. Аспаптың зақымдалған бөліктерін оны қолдану алдында жөндеуге өткізіңіз. Электр құралына техникалық қызмет көрсету ережелерін сақтамау көп сәтсіз жағдайлардың себебі болып табылады.
- ▶ Кескіш аспаптардың үшкір және таза болуын қадағалау керек. Жұмыс күйінде сақталатын кескіш аспаптардың сыналануы сиректеу болады, оларды басқару жеңілдеу.
- ▶ Электр құралын, саймандарды, көмекші құрылғыларды және т.б. нұсқауларға сай пайдаланыңыз. Бұл кезде жұмыс жағдайларын және орындалатын жұмыстың сипатын ескеріңіз. Электр құралдарын басқа мақсаттарда қолдану қауіпті жағдайларға әкелуі мүмкін.
- ▶ Тұтқыштар мен тұтқыш беттерін таза, құрғақ, май іздерінсіз ұстаңыз. Сырғанақ тұтқыштар мен олардың беттері белгілі бір жағдайларда электр құралының қауіпсіз қолданылуы мен басқарылуына жол бермейді.

Қызмет көрсету

- ▶ Электр құралын жөндеуді тек түпнұсқа қосалқы бөлшектерді қолданатын білікті қызметкерлерге сеніп тапсырыңыз. Бұл электр құралын қауіпсіз күйде сақтауды қамтамасыз етеді.

2.2 Барлық аралармен жұмыс кезіндегі қауіпсіздік техникасы бойынша нұсқаулар

Аралату

- ▶ **⚠ ҚАУІПТІ:** Қолдарды аралау орнынан және аралау төсемінен ары ұстаңыз. Екінші қолыңызбен қосымша тұтқышты немесе мотор корпусын ұстаңыз. Егер араны екі қолмен ұстасаңыз, аралау төсемі қолдарыңызды жарақаттауы мүмкін.
- ▶ Өңделетін бұйымды астынан ұстап алмаңыз. Қорғауыш қалпақ бөлшек астында аралау төсемінен қорғай алмайды.
- ▶ Кесу тереңдігін бұйым қалыңдығына сай орнатыңыз. Бөлшек астында аралау төсемі бір тістен көбірек шықпауы керек.
- ▶ Аралап жатқан бөлшекті ешқашан қолда немесе аяқ үстінде ұстамаңыз. Бөлшек берік тіректе жатуы керек. Денеге тию, аралау төсемінің сыналануы немесе бақылауды жоғалту қауіпін барынша азайту үшін бөлшекті бекіткен жөн.
- ▶ Пайдаланылатын аспап жасырын ток сымдарына немесе өз кабеліне тиюі мүмкін жұмыстарды орындағанда, электр құралды изоляцияланған тұтқыштарынан ұстаңыз. Кернеу бар сымдарға тию құрылғының металл бөліктерінде кернеу тудырады және электр тогының соғуына әкеледі.
- ▶ Бойлай аралау кезінде әрқашан тіректі немесе түзу бағыттауыш жиекті қолданыңыз. Бұл кесу дәлдігін жақсартады және аралау төсемінің сыналануы мүмкіндігін азайтады.
- ▶ Өрқашан дұрыс өлшемдері мен сәйкес бекіту тесігі (мысалы, жұлдызшалы немесе дөңгелек) бар аралау төсемдерін пайдаланыңыз. Бекітулерге сай келмейтін аралау төсемдері біркелкі айнамайды және аспапты бақылауды жоғалтуға әкелуі мүмкін.
- ▶ Аралау төсемдері немесе бұрандалар астына ешқашан зақымдалған немесе сай емес астына салатын сақиналарды қолданбаңыз. Аралау төсемдері немесе бұрандалар астына салатын



сақиналар араңыз үшін арнайы жасалған және оларды қолдану ең жақсы нәтижеге және жұмыс қауіпсіздігіне кепіл береді.

Кері соққы - себептері және тиісті нұсқаулар

- Кері соққы – бұл ілінетін, сыналанатын немесе дұрыс емес тексерілген аралау төсемінің салдарынан болатын күтпеген реакция; ол бақыланбайтын араның бөлшектен оператор бағытында шығуына әкеледі;
- егер аралау төсемі матасатын араланған жерде ілініп қалса немесе сыналанса, онда мотор күші құрылғыны артқа оператор бағытында ұшырып шығарады;
- егер араланған жерде аралау төсемі қисайса немесе дұрыс емес тексерілсе, онда араны артқы жиегінің тістері бөлшек бетіне соқтығыу мүмкін. Бұл аралау төсемінің аралау орнына шығуына және араның оператор бағытында кенет ұшып шығарылуына әкеледі.

Кері соққы араны дұрыс емес немесе қате қолданудың салдары болып табылады. Оны төменде сипатталған тиісті сақтық шараларымен болдырмауға болады.

- ▶ **Араны екі қолмен берік ұстаңыз және бұл кезде қолдарды кері соққы күшіне қарсы тұра алатындай орналастырыңыз.** Әрқашан аралау төсемінен ары тұрыңыз, ешқашан аралау төсемін денеңіздің осі бойынша жүргізбеңіз. Кері соққы кезінде ара артқа ыршуы мүмкін, алайда тиісті шаралар қолданылса, оператор кері соққы күшіне қарсы тұра алады.
- ▶ **Аралау төсемі сыналанғанда немесе кесу басқа себеппен үзілсе, сәндіргішті жіберіңіз және араны бөлшекте жай, аралау төсемі толық тоқтағанша ұстаңыз.** Айналып жатқанда немесе кері соққы пайда болуы мүмкін болса ешқашан аралау төсемін бөлшектен шығаруға, артқа жіберуге тырыспаңыз. Аралау төсемінің сыналану себебін табыңыз және сәйкес шаралармен кетіріңіз.
- ▶ **Бөлшекте тұрып қалған араны қайта қосқыңыз келсе, алдымен аралау орнында аралау төсемін ортаға келтіріңіз және төсем тістерінің еркіндігін тексеріңіз.** Сыналанған аралау төсемі араны қайта қосқанда бөлшектен шығуы немесе кері соққы тудыруы мүмкін.
- ▶ **Аралау төсемі сыналанғанда кері соққы қауіпін азайту үшін үлкен тақталар тіректерде жатуы керек.** Үлкен тақталар өз салмағынан майысуы мүмкін. Тақталар тіректерде екі жақта да, аралау орнының жанында да, жиекте де жатуы керек.
- ▶ **Өтпес немесе зақымдалған аралау төсемдерін пайдаланбаңыз.** Өтпес немесе дұрыс емес тексерілген тістері бар аралау төсемдері өте тар аралаудың нәтижесінде артық үйкелуге, аралау төсемінің сыналануына және кері соққыға әкеледі.
- ▶ **Аралау алдында аралау тереңдігін және бұрышын реттеу қысқыштарын бекемдеңіз.** Егер аралау кезінде параметрлер өзгерсе ара полотносы қысылып кері соғу пайда болуы мүмкін.
- ▶ **Қабырғаларда немесе басқа көру мүмкін емес аймақтарда аралауды орындау кезінде әсіресе сақ болыңыз.** Бататын аралау төсемі аралау кезінде жасырын нысанда бұғатталуы және кері соққы тудыруы мүмкін.

Төменгі қорғауыш қалпақ жұмыс істеуі

- ▶ **Әр пайдаланудан алдын төменгі қорғауыш қалпақ кедергісіз жабылуын тексеріңіз.** Төменгі қорғауыш қалпақтың қозғалысы шектелсе және ол бір рет те ашылмаса, араны пайдаланбаңыз. Ешқашан төменгі қорғауыш қақпақты ашық күйінде сыналамаңыз және байламаңыз. Егер ара кездейсоқ еденге құласа, онда төменгі қорғауыш қақпақ майысуы мүмкін. Қорғауыш қаптаманы тұтқыш көмегімен ашып, оның еркін қозғалатынына және аралау төсемі басқа бөліктерге барлық аралау бұрыштарында және кез келген аралау тереңдігінде тимейтініне көз жеткізіңіз.
- ▶ **Төменгі қорғауыш қалпақтың серіппе қызметін тексеріңіз.** Төменгі қорғауыш қалпақ және серіппе дұрыс қызмет етпесе, электр құралды жұмысты бастау алдында техникалық қызмет көрсету қызметіне беріңіз. Зақымдалған бөліктер, жабысатын қалдықтар немесе жоңқаның жиналуы төменгі қорғауыш қалпақтың баяу іске қосылуының себебі болып табылады.
- ▶ **Төменгі қорғауыш қалпақты тек «батыру» немесе «бұрыштық кесу» сияқты арнайы кесулерде ғана қолмен ашыңыз.** Төменгі қорғауыш қалпақты тұтқыш көмегімен ашып, төсем дайындамаға бата сала жіберіңіз. Барлық басқа жұмыстар кезінде төменгі қорғауыш қалпақ автоматты түрде жұмыс істеуі керек.
- ▶ **Алдын ала аралау төсемін қорғауыш қалпақпен жаппай араны верстаққа немесе еденге қоймаңыз.** Қорғалмаған аралау төсемі шыққан кезде араны кесу бағытына қарсы қозғалтады және жолында тұрғанның барлығын аралайды. Бұл кезде араның шығу ұзақтығын ескеріңіз.

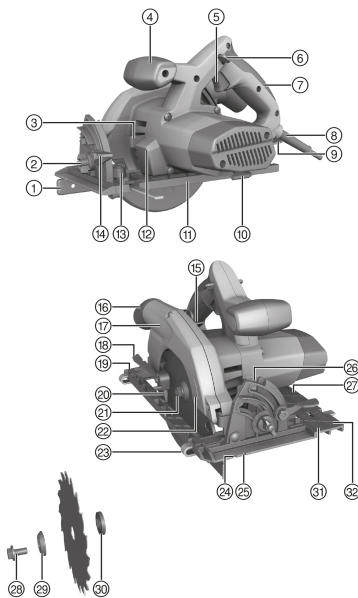


2.3 Циркулярлық арамен жұмыс істеу кезіндегі қауіпсіздік техникасы бойынша қосымша нұсқаулар

- ▶ Дайындамаға тек қосылған күйдегі қолмен басқарылатын циркулярлық араны бағыттаңыз.
 - ↳ Аралау сызығының үстінде және астында бөгде заттар болмауы керек. Бұрандалар, шегелер және т.б. бұйымдардың үстінен аралауға тыйым салынады.
- ▶ Циркулярлық араны ешқашан басыңыздың үстінен ұстап жұмыс істемеңіз.
- ▶ Ара төсемін ешқашан бүйірінен қарсы қысу арқылы төжемеңіз.
- ▶ Ара тістері ұштарының қызып кетуіне жол бермеңіз.
- ▶ Пластикті аралаған кезде, оның балқып кетуіне жол бермеңіз.
- ▶ Кесілетін бет үшін әрдайым тиісті ара төсемін пайдаланыңыз.
- ▶ Тек қана EN 847-1 стандартына сәйкес келетін, Hilti компаниясы ұсынған ара төсемдерін қолданыңыз.

3 Сипаттама

3.1 Өнімге шолу



- ① Параллель бағыттауыш, бір иінді
- ② Кесік бұрышын алдын ала реттеу
- ③ Шпиндельді бұғаттау түймесі
- ④ Қосымша тұтқыш
- ⑤ Негізгі сәндіргіш
- ⑥ Қосылу блокираторы
- ⑦ Тұтқыш
- ⑧ Желілік кабель
- ⑨ Кесік тереңдігін шектегіштің бекіткіші
- ⑩ Ішкі алты қырлы гайка кілті
- ⑪ Тірек тақтасы, шағын
- ⑫ Жарық диодты шам
- ⑬ Параллель бағыттауышқа арналған қысқыш тұтқышы, алдыңғы
- ⑭ Кесік бұрышын реттеуге арналған қысқыш иінтірек
- ⑮ Кесік тереңдігінің шкаласы
- ⑯ Байланыс келте құбыры (шаңсорғыш)
- ⑰ Қорғауыш қаптама
- ⑱ Араның қайырмалы қоршауының тұтқышы
- ⑲ Параллель бағыттауышқа арналған қысқыш тұтқышы, артқы (тек үлкен тірек тақтасына арналған)
- ⑳ Араның қайырмалы қоршауы
- ㉑ Қозғалғыш шпиндель
- ㉒ Айналу бағытының көрсеткіші
- ㉓ Параллель бағыттауыш, екі иінді
- ㉔ 0° кесік белгісі
- ㉕ 45° кесік белгісі
- ㉖ Кесік бұрышының шкаласы
- ㉗ Тірек тақтасы, үлкен
- ㉘ Қыспа бұранда
- ㉙ Қыспа фланец
- ㉚ Бекіткіш фланец
- ㉛ Ойық белгісі 0° тірек тақтасы
- ㉜ Ойық белгісі 1° - 50° тірек тақтасы



3.2 Бағыттауыш планканың жалғастырғыш тетігіне шолу 2

33 Артық тоқтатқыш жалғастырғыш

35 Ойық белгісі 0°

34 Алдыңғы traversa

36 Ойық белгісі 1° - 50°

3.3 Мақсатына сай қолдану

Сипатталған өнім циркулярлық ара болып табылады. Ол кесік тереңдігі 55 мм-ге дейін болатын ағаш пен ағаш тәрізді дайындамалар, пластик, гипскартон, гипс талшықты тақталар мен композиттік материалды аралау жұмыстарына және 50° шамасына дейінгі бұрыштарда қиғаш кесіктер жасауға арналған.

3.3.1 Ықтимал қате қолдану

Техникалық сипаттамалардағы мәліметтерге сәйкес келмейтін ара төсемдері, жылдам кесетін болаттан (HSS болатынан) жасалған кескіш шарықтар, ажарлауыш шарықтар мен ара төсемдері пайдаланылмауы тиіс. Металдарды аралауға болмайды.

3.4 Жеткізілім жинағы

Циркулярлық ара, ара төсемі, ішкі алты қырлы гайка кілті, қатарлас тірек, пайдалану бойынша нұсқаулық.

Қауіпсіз жұмысты қамтамасыз ету үшін тек түпнұсқа қосалқы бөлшектер мен шығын материалдарын қолданыңыз. Біз рұқсат еткен қосалқы бөлшектер, шығын материалдары мен өнімге арналған керек-жарақтар **Hilti Store** дүкенінде немесе келесі веб-сайтта қолжетімді: www.hilti.group

4 Техникалық сипаттамалар

4.1 Техникалық сипаттамалар

Номиналды кернеу, номиналды ток, жиілік және номиналды тұтынылатын қуат туралы ақпарат елге тән фирмалық тақтайшада берілген.

Генераторда немесе трансформаторда жұмыс істеген кезде, осы шығыс қуат құрылғының фирмалық тақтайшасында көрсетілген номиналды тұтынылатын қуаттан кем дегенде екі есе жоғары болуы керек. Трансформатор немесе генератордың басқару кернеуі әрдайым аспаптың номиналды тұтынылатын қуатының +5% және -15% аралығында болуы керек.

Салмағы, шағын тірек тақтасы	4,5 кг
Салмағы, үлкен тірек тақтасы	4,7 кг
Ара төсемінің диаметрі	160 мм ... 165 мм
Ара төсемінің қалыңдығы	1,1 мм ... 1,5 мм
Ара төсемінің отырғызу саңылауы	20 мм
0° бұрыштағы кесік тереңдігі	0 мм ... 55 мм
45° бұрыштағы кесік тереңдігі	0 мм ... 41 мм
50° бұрыштағы кесік тереңдігі	0 мм ... 37 мм
Жүктемесіз айналу жиілігі	5500 А/мин

4.2 EN 62841 стандарты бойынша шуыл туралы ақпарат және діріл мәні

Осы нұсқауларда көрсетілген дыбыс қысымы мен діріл деңгейі стандартты өлшеу әдісімен өлшенген және оны басқа электр құралдарымен салыстыру үшін пайдалануға болады. Сонымен бірге, ол экспозицияны алдын ала бағалау үшін жарайды.

Берілген деректер электр құралының негізгі жұмысын көрсетеді. Алайда, егер электр құралы басқа мақсаттарда, басқа жұмыс аспаптарымен қолданылса немесе оған қанағаттандырмайтын техникалық қызмет көрсетілсе, деректер өзгеше болуы мүмкін. Осының салдарынан аспаптың бүкіл жұмыс істеу кезеңінде экспозиция айтарлықтай артуы мүмкін.



Экспозицияны дәл анықтау үшін аспап сәндірілген күйде немесе бос жұмыс істейтін уақыт аралықтарын да ескеру керек. Осының салдарынан аспаптың бүкіл жұмыс істеу кезеңінде экспозиция айтарлықтай азаюы мүмкін.

Пайдаланушыны пайда болатын шуылдан және/немесе дірілден қорғау үшін қосымша сақтық шараларын қолданыңыз, мысалы: электр аспабына және жұмыс аспаптарына техникалық қызмет көрсету, қолдардың жылуын сақтау, жұмыс процестерін дұрыс ұйымдастыру.

Шуыл туралы ақпарат

Дыбыс күшінің деңгейі (L_{WA})	101 дБ(А)
Дыбыс қысымының деңгейі (L_{pA})	90 дБ(А)
Дәлсіздік	3 дБ(А)

Діріл туралы ақпарат

	230 В	110 В
Ағашты аралау кезіндегі үш осьтік діріл мәні (a_n)	1,77 м/с ² (5,81 фут/с ²)	2,12 м/с ² (6,96 фут/с ²)
Дәлсіздік (К)	1,5 м/с ²	1,5 м/с ²

5 Қызмет көрсету

5.1 Ара төсемін бөлшектеу

ЕСКЕРТУ

Өрт қаупі Ыстық құрал, қыспа фланец не қыспа болттан және өткір ара төсемінің жиектерінен болатын қауіп.

► Ауыстырылатын аспапты ауыстырғанда қорғауыш қолғаптарды қолданыңыз.

1. Желілік кабель ашасын розеткадан шығарыңыз.
2. Бүйірлік алты қырлы кілтті ара төсеміне арналған бекіту бұрандасына енгізіңіз.
3. Шпиндельді бұғаттау түймесін басып тұрыңыз.
4. Бүйірлік алты қырлы гайка кілтінің көмегімен ара төсемінің қыспа бұрандасын шпиндельді бұғаттау түймесі толығымен тірелмегенше бұрап босатыңыз.
5. Ішкі алты қырлы кілтті айналу көрсеткісінің бағытымен айналдырып тартпа болтты бұрап алыңыз.
6. Қыспа бұранда мен сыртқы қыспа фланецті алып тастаңыз.
7. Араның қайырмалы қоршауын ашып, төсемді шығарыңыз.



Қажет болса, қыспа фланецті тазалау үшін алып тастауға болады.

5.2 Ара төсемін орнату

АБАЙЛАҢЫЗ

Зақымдалу қаупі. Жарамсыз немесе қате орнатылған ара төсемдері араға зақым келтіруі мүмкін.

- Тек осы араға арналған төсемдерді қолданыңыз. Міндетті түрде ара төсеміндегі айналу бағыты көрсеткісіне назар аударыңыз.
- Өнімде көрсетілген жылдамдықтан кем болмайтын, рұқсат етілген жылдамдықтағы ара төсемін пайдаланыңыз.

1. Желілік кабель ашасын розеткадан шығарыңыз.
2. Бекіткіш фланецті және қыспа фланецті тазалаңыз.
3. Қыспа фланецті дұрыс бағдармен кигізіңіз.
4. Қайырмалы қоршауды ашыңыз.
5. Жаңа төсемді орнатыңыз.
6. Сыртқы бекіту фланецін дұрыс бағдармен кигізіңіз.
7. Тартпа болтты салыңыз.
8. Ішкі алты қырлы кілтті ара төсеміне арналған тартпа болтқа енгізіңіз.
9. Қыспа фланецті қыспа бұранданы сағат тілінің бағытымен бұрау арқылы бекітіңіз. Бұл ретте шпиндельді бұғаттау түймесін бір қолмен басып тұрыңыз.



10. Қолданысқа енгізу алдында ара төсемінің берік және дұрыс отырғанын тексеріңіз.

5.3 Кесік тереңдігін орнату

1. Желілік кабель ашасын розеткадан шығарыңыз.
2. Кесік тереңдігін реттеуге арналған қысқыш иінтіректі босатыңыз.
3. Циркулярлық араны қысқаш тәрізді қозғалысқа көтеріп, кесік тереңдігін орнатыңыз.
 - ↳ Кесік тереңдігі кесік тереңдіктерінің шкаласында көрсетіледі.



Кесік жиегі таза болуы үшін, кесік тереңдігі 2 мм қосылған материал қалыңдығына сәйкес болуы керек.

4. Кесік тереңдігін орнату үшін қысқыш иінтіректі бекітіңіз.

5.4 Кесік бұрышын орнату

1. Желілік кабель ашасын розеткадан шығарыңыз.
2. Кесік бұрышын реттеуге арналған қысқыш иінтіректі босатыңыз.
3. Тірек тақтасын қалаулы кесік бұрышына бұраңыз.
 - ↳ Кесік бұрышы кесік бұрыштарының шкаласында көрсетіледі.
4. Кесік бұрышын реттеуге арналған қысқыш иінтіректі бекітіңіз.

5.5 Сызат индикаторы

Циркулярлық араның алдыңғы тірек тақтасында тік кесіктерге және қиғаш кесіктерге арналған сызат индикаторы (0° және 45°) орналасқан. Осылайша таңдалған кесік бұрышына қарай дәлме-дәл кесуді орындау мүмкін болады. Сызат жиегі ара төсемінің ішкі жағына сай келеді. Сызат индикаторы ара төсеміне арналған алдыңғы ойықта орналасқан.

5.5.1 Сызат бойынша аралау



Дайындама берік бекітілгеніне көз жеткізіңіз.

Дайындаманы дайындаманың астында ештеңе болмайтындей етіп орнатыңыз.

Өнімнің негізгі сөндіргіші өшірулі екендігіне көз жеткізіңіз.

Циркулярлық араның тірек тақтасын ара төсемі дайындамаға тимейтіндей етіп дайындамаға орнатыңыз.

1. Циркулярлық араны қосыңыз.
2. Циркулярлық араны сызат бойымен дайындама арқылы белгіленген жылдамдықпен жүргізіңіз.

5.6 Қатарлас тірекпен аралау

Қатарлас тірек көмегімен дайындама бойымен дәл кесу, сондай-ақ, бірдей кесектерге кесу мүмкін болады. Қатарлас тіректі тірек тақтасының екі жағына орнатуға болады.

Екі тұтқалы параллель бағыттауышты тек үлкен тірек тақтамен пайдалануға болады.

Параллель бағыттауышты орнатқан кезде дұрыс бағдарды тексеріңіз.

5.7 Бағыттауыш планкамен аралау.

Бағыттауыш планкамен аралаған кезде кері соққының пайда болу мүмкіндігі азаяды.

5.7.1 Циркулярлық араны бағыттауыш планканың жалғастырғыш тетігіне енгізу / шығару



Шағын тірек тақтасы бар араны қолданғанда, бағыттауыш планкаға сәйкес келетін бағыттауыш планканың жалғастырғыш тетігін пайдаланыңыз.

1. Орнатылған болуы мүмкін қатарлас тіректі алыңыз.
2. Тірек тақтасын бағыттауыш планка жалғастырғыш тетігінің артық траверсасына кіргізіңіз.
3. Тірек тақтасын алдында бағыттауыш планканың жалғастырғыш тетігіне толығымен салыңыз. Тірек тақтасы алдыңғы траверсаға шертү дыбысымен бекітілуі керек.
4. Шығарып алу үшін, алдыңғы траверсаны аздап алға тартыңыз да, циркулярлық араны бағыттауыш планканың жалғастырғыш тетігінен шығарыңыз.



5.7.2 0° бұрыштағы көлденең кесіктер **10**

- ▶ Дөңгелек араны "0°" деп белгіленген ойық белгісінің көмегімен бағыттауыш планканың көлденең қырына қойыңыз.

5.7.3 50° шамасына дейінгі бұрыштардағы көлденең кесіктер **11**

АБАЙЛАҢЫЗ

Зақымдалу қаупі. Қате ойыққа орналастырған жағдайда, ара төсемі мен бағыттауыш планка соқтығысуы мүмкін.

- ▶ Араны дұрыс ойыққа орналастырыңыз.

- ▶ Араны "1°-50°" деп белгіленген ойық белгісінің көмегімен бағыттауыш планканың көлденең қырына қойыңыз.

5.7.4 Бағыттауыш планкамен аралау **12**

1. Бағыттауыш планканы астынан екі струбцинамен берік бекітіңіз.
2. Дөңгелек араны бағыттауыш планканы орнату аймағына қойыңыз. 20°-50° бұрышында бойынан аралау үшін қапсырманы қолмен ашыңыз.



Циркулярлық араны дайындама артындағы бағыттауыш планкаға орнату керек. Аралау дискісінің дайындамаға тимеуін қадағалаңыз.

3. Циркулярлық араны қосыңыз.
4. Циркулярлық араны дайындаманың үстіне біркелкі жылжытыңыз.
 - ↳ Қайырмалы қоршау кесу бұрышы 0°-20° шамасынан төмен болғанда, босатқыш жиегіне тигенде ашылады.
 - ↳ Ол бағыттауыш планканың шетіне шыққан кезде қайта жабылады.

5.8 Жоңқа сорғышпен және сорғышсыз аралау

Циркулярлық ара диаметрі 27 мм құрайтын қолданыстағы сорғыш шлангілерге арналған байланыс келте құбырымен жабдықталған. Шаңсорғыш шлангісін циркулярлық арамен біріктіру үшін сәйкес адаптер керек болмайды.

Мүмкін болса, әрдайым ағаш немесе ағаш пен минералдарға арналған жылжымалы шаң жинағышты пайдаланыңыз.

Жоңқа сорғышсыз жұмыс істеген кезде бұрау арқылы лақтыру бағытын жоңқа сізден ары кетірілетіндей етіп таңдаңыз.



P2 сүзу класындағы респираторды ғана пайдаланыңыз және шаң жүктемесін барынша төмен деңгейде сақтау үшін әрдайым жеткілікті ауа алмасуын қамтамасыз етіңіз.

6 Күту және техникалық қызмет көрсету

6.1 Күту және техникалық қызмет көрсету

ЕСКЕРТУ

Ток соғу қаупі бар! Желілік аша енгізіліп тұрған кезде күтім және техникалық қызмет көрсету ауыр жарақаттарға және өртке апарып соғуы мүмкін.

- ▶ Кез келген күтім және техникалық қызмет көрсету жұмысын орындамас бұрын желілік ашаны әрдайым тартып шығарыңыз!

Аспапты күту

- Қатты жабысқан кірді мұқият кетіріңіз.
- Желдету ойықтарын құрғақ щеткамен жайлап тазалаңыз.
- Корпусты тек сәл суланған шүберекпен тазалаңыз. Ешқандай силикон қамтитын күтім құралдарын пайдаланбаңыз, өйткені олар пластмасса бөлшектерін зақымдауы мүмкін.



Техникалық қызмет көрсету

ЕСКЕРТУ

Ток соғу қаупі! Электрлік құрамдас бөлшектерді қате жөндеу ауыр жарақаттану мен өртке апарып соғуы мүмкін.

- ▶ Аспаптың электр бөлігін жөндеуді тек маман-электрикке тапсырыңыз.
- Барлық кезге көрінетін бөлшектерде зақымдардың бар-жоғын және басқару элементтерінің ақаусыз жұмысын жиі тексеріп тұрыңыз.
- Өнім зақымдалған және/немесе ақаулы болған жағдайда оны пайдаланушы болмаңыз. Бірден **Hilti** қызмет көрсету орталығына жөндетіңіз.
- Күтім және техникалық қызмет көрсету жұмыстарынан кейін барлық қорғауыш құрылғыларды орнатып, жұмысын тексеріңіз.

Қауіпсіз қолдану үшін тек түпнұсқа қосалқы бөлшектер мен жұмсалатын материалдарды қолданыңыз. Біз рұқсат еткен қосалқы бөлшектер, шығын материалдары мен өнімге арналған керек-жарақтар **Hilti Store** дүкенінде немесе келесі веб-сайтта қолжетімді: www.hilti.group.

6.2 Күту және техникалық қызмет көрсету жұмыстарынан кейін бақылау

Аспапты күтіп, техникалық қызмет көрсеткеннен кейін барлық сақтандырғыштар орнатылғанына және дұрыс қызмет ететініне көз жеткізіңіз.

- ▶ Қайырмалы қаптаманы басқару үшін, оны басқару тұтқышына тиіп толық ашыңыз.
 - ↳ Басқару тұтқышын жіберген соң қайырмалы қаптаманы жылдам және толықтай жауып қойыңыз.

6.3 Жоңқаға арналған арнаны тазалау

Қажет болса, тазалау кезінде ара төсемін алып тастау керек.

1. Желілік кабель ашасын розеткадан шығарыңыз.
2. Ара төсемін бөлшектеп алыңыз. → Бет 133
3. Жоңқаны шығаруға арналған арнаны тазалаңыз.
4. Ара төсемін орнатыңыз. → Бет 133
5. Қозғалатын бөліктердің мүлтіксіз қызмет ететінін, олардың жүрісінің жеңілдігін, барлық бөліктердің тұтастығын және электр құралдың қызмет етуіне теріс әсер етуі мүмкін зақымдардың жоқ екенін тексеріңіз.

6.4 Қорғауыш қаптаманы тазалау

1. Ара төсемін бөлшектеп алыңыз. → Бет 133
2. Қорғауыш қаптаманы жайлап құрғақ щеткамен тазалаңыз.
3. Қорғауыш қаптаманың ішіндегі шөгінділер мен жоңқаны арнайы құралмен жойыңыз.
4. Ара төсемін орнатыңыз. → Бет 133

7 Ақаулықтарды жою

Ақаулық	Ықтимал себеп	Шешім
Аспап толық қуатпен жұмыс істемейді.	Ұзартқыш кабель тым ұзын немесе қимасы жеткіліксіз.	▶ Ұзындығы ұйғарынды және/немесе қимасы жеткілікті ұзартқыш кабельді қолданыңыз.
	Қамтудың кернеуі тым төмен.	▶ Аспапты басқа қуат көзіне жалғаңыз.
Аспап жұмыс істемейді.	Электр жабдықтау ажыратылды.	▶ Басқа электр құралды жалғап, жұмысын тексеріңіз.



Ақаулық	Ықтимал себеп	Шешім
Аспап жұмыс істемейді.	Желілік кабель немесе аша жұмыс істемейді.	▶ Желілік кабель не ашаны тексеру үшін электрші маманға барыңыз және қажет болса, Hilti қызмет көрсету орталығына апарып, ауыстырыңыз.
	Сөндіргіш ақаулы.	▶ Өнімді Hilti қызмет көрсету орталығында жөндеңіз.
	Көмір қылшақтары тозған.	▶ Өнімді Hilti қызмет көрсету орталығында жөндеңіз.
Сору қуаты жоқ немесе төмендетілген.	Жоңқаны шығаруға арналған арна бітелген.	▶ Жоңқаны шығаруға арналған арнаны тазалаңыз. → Бет 136
Қайырмалы қоршау жабылмайды.	Сақтандырғыш бітелген.	▶ Қорғауыш қаптаманы тазалаңыз. → Бет 136
Құрылғы едеттегіден тыс дірілдейді.	Ара төсемі дұрыс орнатылмаған.	▶ Ара төсемін бөлшектеп алып, қайтадан дұрыстап орнатыңыз.

8 Кәдеге жарату

Hilti аспаптары қайта өңдеу үшін жарамды көптеген материалдардың санын қамтиды. Кәдеге жарату алдында материалдарды мұқият сұрыптау керек. Көптеген елдерде **Hilti** компаниясы ескі аспабыңызды қайта өңдеу үшін қайта қабылдайды. **Hilti** қызмет көрсету орталығынан немесе дилеріңізден сұраңыз.



- ▶ Электр құралдарды, электрондық құрылғылар мен аккумуляторларды тұрмыстық қоқыспен бірге тастамаңыз!

9 RoHS (зиянды заттектердің пайдаланылуын шектеу директивасы)

Төмендегі сілтеме бойынша зиянды заттектердің кестесі келтірілген: qr.hilti.com/r2937786.
RoHS кестесінің сілтемесі осы құжаттаманың соңында QR коды ретінде берілген.

10 Өндіруші кепілдігі

- ▶ Кепілдік шарттары туралы сұрақтарыңыз болса, жергілікті **Hilti** серіктесіне хабарласыңыз.



1 Dokümantasyon verileri

1.1 Bu doküman için

- Çalıştırmadan önce bu dokümanı okuyunuz. Bu, güvenli çalışma ve arzasız kullanım için ön koşuldur.
- Bu dokümanda ve ürün üzerinde bulunan güvenlik ve uyarı bilgilerine dikkat ediniz.
- Kullanım kılavuzunu her zaman ürün üzerinde bulundurunuz ve ürünü sadece bu kılavuz ile birlikte başka kişilere veriniz.

1.2 Resim açıklaması

1.2.1 Uyarı bilgileri

Uyarı bilgileri, ürün ile çalışırken ortaya çıkabilecek tehlikelere karşı uyarır. Aşağıdaki uyarı metinleri kullanılır:



TEHLİKE

TEHLİKE !

- ▶ Ağır vücut yaralanmalarına veya doğrudan ölüme sebep olabilecek tehlikeler için.



İKAZ

İKAZ !

- ▶ Ağır yaralanmalara veya ölüme neden olabilecek tehlikeler için.



DİKKAT

DİKKAT !

- ▶ Hafif vücut yaralanmalarına veya maddi hasarlara yol açabilecek olası tehlikeli durumlar için.

1.2.2 Dokümandaki semboller

Bu dokümanda aşağıdaki semboller kullanılmıştır:

	Kullanmadan önce kullanım kılavuzunu okuyunuz
	Kullanım uyarıları ve diğer gerekli bilgiler
	Geri dönüşümlü malzemeler ile çalışma
	Elektrikli aletleri ve aküleri evdeki çöplere atmayınız

1.2.3 Resimlerdeki semboller

Resimlerde aşağıdaki semboller kullanılmıştır:

2	Bu sayılar, kılavuzun başlangıcındaki ilgili resimlere atanmıştır
3	Numaralandırma, resimdeki çalışma adımlarının sırasını göstermektedir ve metindeki çalışma adımlarından farklı olabilir
11	Pozisyon numaraları Genel bakış resminde kullanılır ve Ürüne genel bakış bölümündeki açıklama numaralarına referans niteliğindedir
	Bu işaret, ürün ile çalışırken dikkatinizi çekmek için koyulmuştur.

1.3 Ürüne bağlı semboller

1.3.1 Üründeki semboller

Üründe aşağıdaki semboller kullanılabilir:

	Kablosuz veri aktarımı
--	------------------------



n ₀	Ölçüm rölati devir sayısı
	Koruma sınıfı II (çift izolasyonlu)
	Testere bıçağı

1.4 Ürün bilgileri

HILTI ürünleri profesyonel kullanıcıların kullanımı için öngörülmüştür ve sadece yetkili personel tarafından kullanılabilir ve bakımı yapılabilir. Bu personel, meydana gelebilecek tehlikeler hakkında özel olarak eğitim görmüş olmalıdır. Aletin ve ilgili yardımcı gereçlerin eğitimsiz personel tarafından usulüne uygun olmayan şekilde kullanılması ve amaçları dışında çalıştırılması sonucu tehlikeli durumlar söz konusu olabilir. Tip tanımı ve seri numarası, tip plakası üzerinde belirtilmiştir.

► Seri numarasını aşağıdaki tabloya aktarınız. Ürün bilgileri acente veya servis merkezini aradığınızda sorulabilir.

Ürün bilgileri

Daire testere	SC 55W
Nesil	01
Seri no.	

1.5 Uygunluk beyanı

Burada tanımlanan ürünün, geçerli yönetmeliklere ve normlara uygun olduğunu kendi sorumluluğumuzda beyan ederiz. Bu dokümanın sonunda uygunluk beyanının bir kopyasını bulabilirsiniz.

Teknik dokümantasyonlar eklidir:

Hilti Entwicklungsgesellschaft mbH | Zulassung Geräte | Hiltistraße 6 | 86916 Kaufering, DE

2 Güvenlik

2.1 Elektrikli el aletleri için genel güvenlik uyarıları

⚠ İKAZ Bu elektrikli el aletine yönelik tüm güvenlik uyarılarını, talimatları, resimli açıklamaları ve teknik verileri dikkatlice okuyunuz. Aşağıdaki talimatlara uyulmaması durumunda elektrik çarpması, yangın ve/veya ağır yaralanmalar söz konusu olabilir.

Tüm güvenlik uyarılarını ve kullanım talimatlarını muhafaza ediniz.

Güvenlik uyarılarında kullanılan "Elektrikli el aleti terimi, şebeke işletimli elektrikli el aletleri (şebeke kablosu ile) veya akü işletimli elektrikli el aletleri (şebeke kablosu olmadan) ile ilgilidir.

İş yeri güvenliği

- **Çalışma alanınızı temiz ve aydınlık tutunuz.** Düzensiz veya aydınlatma olmayan çalışma alanları kazalara yol açabilir.
- **Yanıcı sıvıların, gazların veya tozların bulunduğu patlama tehlikesi olan yerlerde elektrikli el aleti ile çalışmayınız.** Elektrikli el aletleri, toz veya buharı yakabilecek kıvılcım oluşturur.
- **Elektrikli el aletini kullanırken çocukları ve diğer kişileri uzak tutunuz.** Dikkatiniz dağılırsa aletin kontrolünü kaybedebilirsiniz.

Elektrik güvenliği

- **Elektrikli el aletinin bağlantı fişi prize uygun olmalıdır. Fiş hiçbir şekilde değiştirilmemelidir. Adaptör fişini topraklama korumalı elektrikli el aletleri ile birlikte kullanmayınız.** Değiştirilmemiş fişler ve uygun prizler elektrik çarpması riskini azaltır.
- **Borular, radyatörler, fırınlar ve buzdolapları gibi toprağa temas eden üst yüzeylere vücudunuzla temas etmektan kaçınınız.** Vücudunuzun toprakla teması var ise yüksek bir elektrik çarpması riski söz konusudur.
- **Elektrikli el aletini yağmurdan veya ıslaklıktan uzak tutunuz.** Elektrikli el aletine su girmesi, elektrik çarpması riskini artırır.
- **Elektrikli el aletini taşımak, asmak veya fişi prizden çekmek için bağlantı kablosunu kullanım amacı dışında kullanmayınız. Bağlantı kablosunu sıcağından, yağdan, keskin kenarlardan ve hareketli parçalardan uzak tutunuz.** Hasarlı veya dolanmış bağlantı kabloları elektrik çarpması riskini artırır.



- ▶ **Elektrikli bir el aleti ile açık alanda çalışacaksanız, sadece dışarıda kullanımına izin verilen uzatma kabloları kullanınız.** Dış mekanlar için uygun olan uzatma kablolarının kullanılması elektrik çarpması riskini azaltır.
- ▶ **Elektrikli el aleti işletiminin nemli ortamda yapılması kaçınılmaz ise bir kaçak akım koruma şalteri kullanınız.** Bir kaçak akım koruma şalterinin kullanımı elektrik çarpması riskini azaltır.

Kişilerin güvenliği

- ▶ **Dikkatli olunuz, ne yaptığınıza dikkat ediniz ve elektrikli el aleti ile mantıklı bir şekilde çalışınız.** Yorgunsanız veya uyuşturucu, alkol veya ilaç etkisi altında olduğunuzda elektrikli el aleti kullanmayınız. Elektrikli el aletini kullanırken bir anlık dikkatsizlik ciddi yaralanmalara neden olabilir.
- ▶ **Kişisel koruyucu donanım ve her zaman bir koruyucu gözlük takınız.** Elektrikli el aletinin türüne ve kullanımına göre toz maskesi, kaymayan güvenlik ayakkabısı, koruyucu kask veya kulaklık gibi kişisel koruyucu donanımların kullanılması yaralanma riskini azaltır.
- ▶ **İstem dışı çalışmayı önleyiniz. Güç kaynağına ve/veya aküyü bağlamadan, girişini yapmadan veya taşımadan önce elektrikli el aletinin kapalı olduğundan emin olunuz.** Elektrikli el aletini taşırken parmağınız şalterde ise veya alet açık konumda güç kaynağına takılırsa bu durum kazalara yol açabilir.
- ▶ **Elektrikli el aletini devreye almadan önce ayar aletlerini veya vidalama anahtarlarını çıkarınız.** Dönen bir alet parçasında bulunan bir alet veya anahtar yaralanmalara yol açabilir.
- ▶ **Aşırı bir vücut hareketinden sakınınız. Güvenli bir duruş sağlayınız ve her zaman dengeli tutunuz.** Böylece beklenmedik durumlarda elektrikli el aletini daha iyi kontrol edebilirsiniz.
- ▶ **Uygun kıyafetler giyiniz. Bol kıyafetler giymeyiniz veya takı takmayınız. Saçları, kıyafetleri ve eldivenleri hareket eden parçalardan uzak tutunuz.** Bol kıyafetler, takı veya uzun saçlar hareket eden parçalara takılabilir.
- ▶ **Toz emme ve tutma tertibatları monte edilebiliyorsa bunların bağlı olduğundan ve doğru kullanıldığından emin olunuz.** Bu toz emme tertibatının kullanımı tozdan kaynaklanabilecek tehlikeleri azaltabilir.
- ▶ **Kendi güvenliğinizi riske atmayınız ve elektrikli el aletleri kullanımında son derece tecrübeli olsanız bile ilgili güvenlik kurallarını ihlal etmeyiniz.** Dikkatsiz kullanım saniyeler içerisinde ciddi yaralanmalara neden olabilir.

Elektrikli el aletinin kullanımı ve çalıştırılması

- ▶ **Aleti çok fazla zorlamayın. Çalışmanız için uygun olan elektrikli el aletini kullanın.** Uygun elektrikli el aleti ile bildirilen hizmet alanında daha iyi ve güvenli çalışırsınız.
- ▶ **Şalteri bozuk olan elektrikli el aletini kullanmayınız.** Açılıp kapatılmayan bir elektrikli el aleti tehlikelidir ve tamir edilmesi gerekir.
- ▶ **Alet ayarlarını yapmadan, aksesuar parçalarını değiştirmeden veya aleti bir yere koymadan önce fişi prizden ve/veya (çıkarılabilir) aküyü aletten çıkarınız.** Bu önlem, elektrikli el aletinin istem dışı çalışmasını engeller.
- ▶ **Kullanılmayan elektrikli el aletlerini çocukların erişemeyeceği yerde muhafaza edin. Aleti iyi tanımayan veya bu talimatları okumamış kişilere aleti kullandırmayınız.** Elektrikli el aletleri bilgisiz kişiler tarafından kullanılırsa tehlikelidir.
- ▶ **Elektrikli el aletlerinin ve aksesuarlarının bakımını titizlikle yapınız. Hareketli parçaların kusursuz çalıştığı ve sıkışmadığı, parçaların kırılıp kırılmadığı veya hasar görüp görmediği, elektrikli el aleti fonksiyonlarının kısıtlanma durumlarını kontrol ediniz. Hasarlı parçaları aleti kullanmadan önce tamir ettiriniz.** Birçok kazanın nedeni bakımı kötü yapılan elektrikli el aletleridir.
- ▶ **Kesme aletlerini keskin ve temiz tutun.** Özenle bakımı yapılmış keskin bıçak kenarı olan kesme aletleri daha az sıkışır ve kullanımını daha rahattır.
- ▶ **Elektrikli el aletini, aksesuarları, ek aletleri vb. bu talimatlara göre kullanın. Çalışma şartlarını ve yapılacak işi de ayrıca göz önünde bulundurun.** Elektrikli el aletlerinin öngörülen kullanımı dışında kullanılması tehlikeli durumlara yol açabilir.
- ▶ **Tutamağı ve tutamak yüzeylerini daima temiz ve yağ ve gresten arındırılmış durumda tutunuz.** Kaygan tutamaklar ve tutamak yüzeyleri güvenli bir kullanımı ve öngörülemez durumlarda elektrikli el aletinin kontrolünü engeller.

Servis

- ▶ **Elektrikli el aletinizi sadece kalifiye uzman personele ve sadece orijinal yedek parçalar ile tamir ettiriniz.** Böylece elektrikli el aletinin güvenliğinin korunduğundan emin olunur.

2.2 Tüm kesme işlemleri için güvenlik uyarıları

Kesme yöntemi

- ▶ **⚠ TEHLİKE: Ellerinizi kesme alanı ve testere bıçağı bölümüne getirmeyiniz. Diğer elinizle ilave tutamağı veya motor gövdesini tutunuz.** Testereyi her iki elinizle tutarsanız, testere bıçağı ellerinizi yaralayamaz.



- ▶ **İşlenen parçanın altına elinizi sokmayınız.** İş parçası altındaki koruma başlığı sizi testere bıçağından koruyamaz.
- ▶ **Kesme derinliğini işlenen parçanın kalınlığına göre ayarlayınız.** İş parçasının altında tam bir diş yüksekliğinden daha az bir mesafe görülüyorsa olmalıdır.
- ▶ **Kesilecek olan iş parçasını asla elinizde veya bacağına üstünde tutmayınız. İş parçasını sağlam bir yuvada emmeye alınız.** Vücut ile temas, testere bıçağına sıkışması veya kontrolün kaybedilmesi tehlikesinin önlenmesi için iş parçası çok emniyetli bir şekilde sabitlenmelidir.
- ▶ **Ek aletin bükülmüş elektrik hatlarına veya kendi elektrik kablosuna denk gelme riskinin olduğu çalışmalarda, elektrikli el aletini sadece izole edilmiş tutamak yüzeylerinden tutunuz.** Elektrik ileten bir hat ile temasta elektrikli aletin metal parçaları da gerilim altında kalır ve elektrik çarpmasına neden olur.
- ▶ **Uzunlamasına kesimde her zaman bir destek veya düz bir kenar kılavuzu kullanınız.** Bunlar kesimin daha düzgün olmasını sağlar ve testere bıçağına sıkışma ihtimalini azaltır.
- ▶ **Testere bıçaklarını daima doğru büyüklükte ve doğru bağlantı deliği (örneğin yıldız biçimli veya yuvarlak) ile kullanınız.** Testerenin montaj parçalarına uymayan testere bıçakları düz bir şekilde çalışmaz ve kontrolün kaybedilmesine neden olur.
- ▶ **Hasarlı veya yanlış testere bıçağı pulları veya civataları kullanılmamalıdır.** Testere bıçağı pulları ve civataları testerenizin optimum güç ve çalıştırma güvenliği sağlaması için özel olarak tasarlanmıştır.

Geri tepme - Nedenleri ve ilgili güvenlik uyarıları

- Geri tepme; takılan, sıkışan ya da yanlış hizalanmış bir testere bıçağına testereyi kontrolsüz şekilde kaldırmasına ve kullanıcı yönünde iş parçasından dışarı doğru hareket etmesine neden olan ani bir reaksiyondur;
- Testere bıçağı kapanan testere aralığında takılırsa ya da sıkışarsa, bloke olur ve motor gücü, testereyi kullanıcı yönünde geriye iter;
- Testere bıçağı kesme sırasında dönerse ya da yanlış hizalanırsa, arkadaki testere bıçağı kenarının dişleri iş parçasının yüzeyine takılır; bunun sonucunda testere bıçağı testere aralığından dışarı hareket eder ve testere, kullanıcı yönünde geriye çıkar.

Testerenin yanlış veya hatalı kullanılması sonucunda geri tepme meydana gelir. Aşağıda tanımlanan özel önlemler alınarak geri tepme engellenebilir.

- ▶ **Testereyi iki elinizle sıkıca tutunuz ve vücudunuzu ve kollarınızı geri tepmelere karşı koyabileceğiniz şekle getiriniz.** Testere bıçağına yanından durunuz, testere bıçağına asla vücudunuz ile temas edecek yöne getirmeyiniz. Bir geri tepme durumunda daire testere geriye sıçrayabilir, fakat aleti kullanan kişi gerekli önlemleri aldıysa, geri tepmelerde kontrolü sağlayabilir.
- ▶ **Testere bıçağı sıkışarsa veya çalışmaya ara vermeniz gerekirse, testereyi kapatınız ve testere hareketsiz hale gelene kadar aletiyi sabit tutunuz.** Testere bıçağı hareket ettiği veya geri teptiği sürece testereyi hiçbir zaman iş parçasından çıkarmayı denemeyiniz veya geriye doğru çekmeyiniz. Testere bıçağına sıkışma nedenini belirleyiniz ve gideriniz.
- ▶ **İşlenen parça içindeki testereyi tekrar çalıştırmak istiyorsanız, testere bıçağını testere boşluğunda merkezleyiniz ve testere bıçağı dişlerinin işlenen parçaya sıkışmamış olmasına dikkat ediniz.** Testere bıçağı tekrar çalıştırıldığında sıkışıyorsa iş parçasından çıkabilir veya geri tepebilir.
- ▶ **Sıkışan testere bıçağına geri tepmesini azaltmak için büyük levhaları çok iyi bir şekilde sabitleyiniz.** Büyük levhalar kendi ağırlıklarından dolayı bükülebilirler. Levhalar, her iki tarafta hem testere bıçağı boşluğunun yakınından hem de kenardan desteklenmelidir.
- ▶ **Kör veya hasarlı testere bıçaklarını kullanmayınız.** Kör veya yanlış ayarlanmış dişli testere bıçakları çok dar bir kesme boşluğundan dolayı yüksek aşınmaya, testere bıçağına sıkışmasına ve geri tepmeye neden olur.
- ▶ **Testereyle kesme öncesinde kesim derinliğini ve kesim açısı ayarlarını kesin olarak belirleyiniz.** Kesme işlemi sırasında ayarları değiştirirseniz testere bıçağı sıkışabilir ve geri tepmeler ortaya çıkabilir.
- ▶ **Kesme işlemi sırasında mevcut duvarlara veya diğer görülmeyen bölgelere karşı özellikle dikkat ediniz.** Daldırılan testere bıçağı kesme sırasında gizli nesnelere bloke edebilir ve bir geri tepmeye neden olabilir.

Alt koruma başlığının fonksiyonu

- ▶ **Her kullanımdan önce alt koruma başlığının sorunsuz kapandığı kontrol edilmelidir.** Testereyi alt koruma başlığı serbest hareket edemiyorsa ve hemen kapanıyorsa kullanmayınız. Koruma başlığını asla açık pozisyondayken sıkıştırmayınız veya bağlamayınız. Eğer testere istenmeden yere düşürüldüyse alt koruma başlığı bükülebilir. Koruma başlığını geriye çekme kolu ile açınız ve serbest çalıştığından emin olunuz ve tüm kesme açılarında ve derinliklerinde ne testere bıçağına ne de diğer parçalara temas etmemesine dikkat ediniz.



- ▶ **Alt koruma başlığı için yayın fonksiyonu kontrol edilmelidir. Eğer alt koruma başlığı ve yay sorunsuz bir şekilde çalışmıyorsa, testereyi kullanmadan önce bekleyiniz.** Hasarlı parçalar, yapışkan artıklar ve talaş parçacıklarının yoğunluğu alt koruma başlığının gecikmeli bir şekilde çalışmasına neden olur.
- ▶ **Alt koruma başlığını sadece "Daldırmalı ve açılı kesme" gibi özel kesimlerde elle açınız. Alt koruma başlığını geri çekme kolu ile açınız ve testere bıçağı malzeme içinde olduğu sürece bunu serbest bırakınız.** Diğer tüm testere ile kesme çalışmaları sırasında alt koruma başlığı otomatik olarak çalışmalıdır.
- ▶ **Alt koruma başlığı testere bıçağını örtmeden testereyi çalışma tezgahına ya da yere koymayınız.** Korumasız, sonradan çalışmaya devam eden bir testere bıçağı, testereyi kesim yönüne doğru hareket ettirir ve önünde bulunan nesnelere kesilmesine neden olur. Testerenin sonradan çalışmaya devam etme süresine dikkat ediniz.

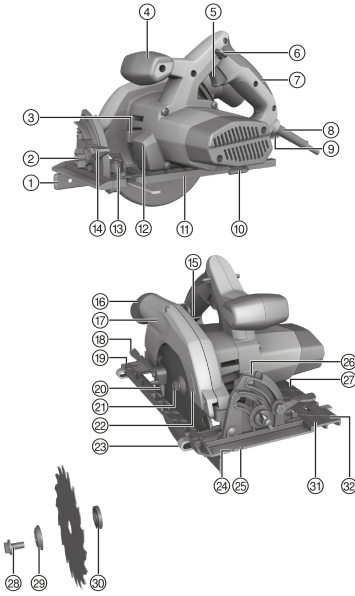
2.3 Daire testere için ek güvenlik uyarıları

- ▶ El tipi daire testereyi sadece açık durumda ilgili iş parçasına doğru tutunuz.
 - ↳ Kesme yolunun üstünde ve altında hiçbir engel olmamalıdır. Cıvataları, çivileri veya benzerlerini kesmeyiniz.
- ▶ Bir daire testere ile asla baş hizasının üzerinde çalışmayınız.
- ▶ Testere bıçağını asla yandan bastırarak durdurmayınız.
- ▶ Testere dişi uçlarının aşırı ısınmasını engelleyiniz.
- ▶ Plastik malzemelerin kesilmesi sırasında plastiğin erimesi engellenmelidir.
- ▶ Kesilecek zemin için her zaman uygun testere bıçağını kullanınız.
- ▶ Sadece Hilti tarafından tavsiye edilen, EN 847-1 normuna uygun testere bıçaklarını kullanınız.



3 Tanımlama

3.1 Ürüne genel bakış 1



- ① Tek kollu paralellik mesnedi
- ② Kesme açısı için ön ayar
- ③ Mil ayarlarma düğmesi
- ④ İlave tutamak
- ⑤ Açma/kapatma şalteri
- ⑥ Devreye alma kilidi
- ⑦ tutamak
- ⑧ Şebeke kablosu
- ⑨ Kesme açısı ince ayarı için sıkıştırma kolu
- ⑩ Allen anahtarı
- ⑪ Küçük ana plaka
- ⑫ LED aydınlatma
- ⑬ Ön paralellik mesnedi için sıkıştırma kolu
- ⑭ Kesme açısı ayarı için sıkıştırma kolu
- ⑮ Kesme derinliği skalası
- ⑯ Bağlantı parçaları (toz emme tertibatı)
- ⑰ Koruma başlığı
- ⑱ Pandül koruma kapağı için kumanda kolu
- ⑲ Arka paralellik mesnedi için sıkıştırma kolu (sadece büyük ana plakalar için)
- ⑳ Pandül koruma kapağı
- ㉑ Tahrik mili
- ㉒ Dönme yönü oku
- ㉓ Çift kollu paralellik mesnedi
- ㉔ Kesme işareti 0°
- ㉕ Kesme işareti 45°
- ㉖ Kesme açısı skalası
- ㉗ Büyük ana plaka
- ㉘ Sıkma civatası
- ㉙ Sıkma flanşı
- ㉚ Bağlantı flanşı
- ㉛ Ana plaka kanal işareti 0°
- ㉜ Ana plaka kanal işareti 1° - 50°

3.2 Kılavuz ray adaptörüne genel bakış 2

- ㉝ Arka tutma rafı
- ㉞ Ön kılavuz yatağı
- ㉟ Kanal işareti 0°
- ㊱ Kanal işareti 1° - 50°

3.3 Usulüne uygun kullanım

Tanımlanan ürün bir daire testeredir. Bu testere ahşap veya ahşap benzeri malzemeler, plastikler, kartonpiyer, elyafalı alçı plakalar ve kompozit malzemeler için, yaklaşık 55 mm'ye kadar kesme derinliğine, ayrıca en fazla 50° eğik kesme açısına uygundur.

3.3.1 Olası yanlış kullanım

Teknik verilerdeki bilgilere uygun olmayan testere bıçakları, kesme diskleri, zımpara diskleri ile yüksek alaşımli yüksek hız çeliklerinden (HSS çelik) üretilmiş testere bıçakları kullanılmamalıdır. Metaller testereyle kesilmemelidir.

3.4 Teslimat kapsamı

Daire testere, testere bıçağı, allen anahtarı, paralellik mesnedi, kullanım kılavuzu.



i Güvenli çalışma için sadece orijinal yedek parçalar ve sarf malzemeleri kullanınız. Tarafımızdan onaylanmış, yedek parçaları, aksesuarları ve sarf malzemelerini **Hilti Store** veya **www.hilti.group** adresinde bulabilirsiniz.

4 Teknik veriler

4.1 Teknik veriler

i Nominal gerilim, nominal akım, frekans ve nominal akım tüketimini ülkenize özgü tip plakasında bulabilirsiniz.

Jeneratörlü veya transformatörlü bir işletim durumunda çıkış gücü, aletin tip plakasında belirtilen nominal akım tüketiminin en az iki katı büyüklüğünde olmalıdır. Transformatörün veya jeneratörün çalışma gerilimi her zaman alet nominal geriliminin +%5'i ile -%15'i arasında olmalıdır.

Ağırlık, küçük ana plaka	4,5 kg
Ağırlık, büyük ana plaka	4,7 kg
Testere bıçağı çapı	160 mm ... 165 mm
Testere bıçaklarının levha kalınlığı	1,1 mm ... 1,5 mm
Testere bıçağı bağlantı deliği	20 mm
Kesme derinliği 0°'de	0 mm ... 55 mm
Kesme derinliği 45°'de	0 mm ... 41 mm
Kesme derinliği 50°'de	0 mm ... 37 mm
Rölanti devir sayısı	5.500 dev/dak

4.2 EN 62841 uyarınca ses bilgisi ve titreşim değerleri

Bu talimatlarda belirtilen ses basıncı ve titreşim değerleri, ilgili normlara uygun bir ölçüm metodu ile ölçülmüştür ve elektrikli el aletlerinin birbirleri ile karşılaştırılması için kullanılabilir. Zorlanmaların geçici olarak değerlendirilmesine de uygundur.

Belirtilen değerler, elektrikli el aletinin ana kullanım alanlarını temsil eder. Elektrikli el aletinin, farklı ek aletlerle veya yetersiz bakım yapılmış şekilde kullanılması durumunda, veriler sapma gösterebilir. Bu durum, toplam çalışma süresi boyunca zorlanmayı belirgin şekilde yükseltebilir.

Doğru bir zorlanma değerlendirmesi için aletin kapatıldığı veya çalışır konumda olduğu ve ayrıca kullanımda olmadığı zamanlar da dikkate alınmalıdır. Bu durum, toplam çalışma süresi boyunca zorlanmayı belirgin şekilde azaltabilir.

Kullanıcıyı ses ve/veya titreşimin etkilerinden koruyacak ek güvenlik önlemleri belirleyiniz, örneğin: Elektrikli el aletinin ve ek aletlerin bakımının yapılması, ellerin sıcak tutulması, iş akışlarının düzenlenmesi.

Ses bilgileri

Ses gücü seviyesi (L_{WA})	101 dB(A)
Ses basıncı seviyesi (L_{pA})	90 dB(A)
Emniyetsizlik	3 dB(A)

Vibrasyon bilgileri

	230 V	110 V
Ahşap keserken üç eksenli titreşim değeri (a_h)	1,77 m/sn ² (5,81 ft/sn ²)	2,12 m/sn ² (6,96 ft/sn ²)
Emniyetsizlik (K)	1,5 m/sn ²	1,5 m/sn ²



5 Kullanım

5.1 Testere bıçağının sökülmesi 3

⚠ İKAZ

Yanma tehlikesi Kızgın cihaz, sıkma flanşı, veya sıkma civatası ve keskin testere bıçağı kenarları nedeniyle tehlike.

► Alet değiştirmek için koruyucu eldiveni kullanınız.

1. Şebeke fişini prizden çekiniz.
2. Allen anahtarı testere bıçağının sabitleme civatasına yerleştiriniz.
3. Mil kilitleme düğmesine basınız ve düğmeyi basılı tutunuz.
4. Mil kilitleme pimi tamamen yerine oturana kadar allen anahtarla testere bıçağının sıkma civatasını döndürünüz.
5. Dönme yönü oku yönünde döndürmeye devam ederek sıkma civatasını allen anahtarıyla gevşetiniz.
6. Sıkma civatasını ve dış sıkma flanşını çıkartınız.
7. Dışarı doğru çevirerek pandül koruma kapağını açınız ve testere bıçağını çıkartınız.



Bağlama flanşı gerekirse temizlemek için çıkarılabilir.

5.2 Testere bıçağının yerleştirilmesi 4

⚠ DİKKAT

Hasar tehlikesi Uygunsuz veya yanlış yerleştirilen testere bıçakları testereye zarar verebilir.

- Sadece testere için uygun olan testere bıçakları kullanınız. Testere bıçağının üstündeki dönme yönü okuna dikkat ediniz.
- Sadece izin verilen devir sayısı en az ürün üzerinde belirtilen azami devir sayısı kadar olan testere bıçaklarını kullanınız.

1. Şebeke fişini prizden çekiniz.
2. Bağlantı ve sıkma flanşını temizleyiniz.
3. Bağlama flanşını doğru biçimde yönlendirerek takınız.
4. Pandül koruma kapağını açınız.
5. Yeni testere bıçağını yerleştiriniz.
6. Dış sıkma flanşını doğru biçimde yönlendirerek takınız.
7. Sıkma civatasını yerleştiriniz.
8. Allen anahtarını testere bıçağının sıkma civatasına yerleştiriniz.
9. Sıkma civatasını saat yönünde çevirerek sıkma flanşını sabitleyiniz. Bu sırada bir eliniz ile mil kilitleme düğmesine basılı tutunuz.
10. Çalıştırmadan önce testere bıçağının sıkı ve doğru oturduğunu kontrol ediniz.

5.3 Kesme derinliğinin ayarlanması 5

1. Şebeke fişini prizden çekiniz.
2. Kesme derinliği ayar mekanizmasının sıkıştırma kolunu gevşetiniz.
3. Daire testereyi makas şeklinde bir hareketle kaldırınız ve kesme derinliğini ayarlayınız.
 - Kesme derinliği, kesme derinliği skalası üzerinde gösterilir.



Temiz bir kesim kenarı için kesme derinliği, malzeme kalınlığı artı 2 mm olmalıdır.

4. Kesme derinliği ayar mekanizmasının sıkıştırma kolunu sabitleyiniz.

5.4 Kesme açısının ayarlanması 6

1. Şebeke fişini prizden çekiniz.
2. Kesme açısı ayar mekanizmasının sıkıştırma kolunu gevşetiniz.
3. Ana plakayı istenilen kesme açısına döndürünüz.
 - Kesme açısı, kesme açısı skalası üzerinde gösterilir.



4. Kesme açısı ayar mekanizmasının sıkıştırma kolunu sıkınız.

5.5 Çatlak göstergesi

Daire testerenin ön ana plakasında hem düz kesim hem de eğik kesimler için bir çatlak göstergesi (0° ve 45°) bulunmaktadır. Böylece seçilen kesme açısına göre hassas bir kesim yapılabilir. Çatlak kenarı, testere bıçağının iç tarafına eşittir. Çatlak göstergesi, testere bıçağının ön kesitinde bulunur.

5.5.1 Çatlağa göre kesim 7



İş parçasını kaymaya karşı emniyete alınız.

İş parçasını, testere bıçağı iş parçasının altından serbestçe geçecek şekilde düzenleyiniz.

Üründeki Açma/Kapatma şalterinin kapalı olduğundan emin olunuz.

Daire testereyi, testere bıçağı iş parçasına henüz temas etmeyecek şekilde ana plakayla iş parçasının üzerine oturtunuz.

1. Daire testereyi açınız.
2. Daire testereyi uygun bir çalışma temposunda çatlak boyunca iş parçasından geçiriniz.

5.6 Paralel dayanakla kesme 3

Tek kollu paralel dayanakla, iş parçası kenarı boyunca düzgün kesimlere ya da aynı ölçüde çitaların kesilmesine olanak sağlanır. Paralel dayanak, ana plakanın her iki tarafına takılabilir.

İki kollu paralellik mesnedi sadece büyük ana plaka ile kullanılabilir.

Paralel dayanak montajı sırasında doğru yönlendirmeye dikkat ediniz.

5.7 Kılavuz rayla kesme.

Kesme işleminin kılavuz ray kullanarak yapılması geri tepmelerin ortaya çıkmasını azaltabilir.

5.7.1 Daire testerenin kılavuz ray adaptörüne yerleştirilmesi / adaptörden çıkarılması 9



Küçük ana plakalı testelerde kılavuz raya uyan bir kılavuz ray adaptörü kullanınız.

1. Gerekirse, takılmış olan paralel dayanağı çıkartınız.
2. Ana plakayı kılavuz ray adaptörünün arkadaki kılavuz yataklarına yerleştiriniz.
3. Ana plakayı komple kılavuz ray adaptörünün önüne oturtunuz. Ana plaka ön kılavuz yatağına tamamen oturmalıdır.
4. Dışarı çıkartmak için öndeki kılavuz yatağını biraz öne doğru çekiniz ve daire testereyi kılavuz rayı adaptöründen çıkartınız.

5.7.2 0° boylamasına kesimler 10

- ▶ "0°" kanal işaretli daire testereyi kılavuz rayın yatağına gelecek şekilde yerleştiriniz.

5.7.3 50°'ye kadar açılarda boylamasına kesimler 11

DİKKAT

Hasar tehlikesi Testerenin yanlış kanala yerleştirilmesi durumunda testere bıçağı ilçe kılavuz rayı çarpışabilir.

- ▶ Testerenin doğru kanala yerleştiriniz.

- ▶ "1°-50°" kanal işaretli sahip testereyi kılavuz rayın yatağına gelecek şekilde yerleştiriniz.

5.7.4 Kılavuz rayla kesme 12

1. Kılavuz raylarını alttan iki mengeneyle sabitleyiniz.
2. Daire testereyi kılavuz rayın ayarlama bölümüne yerleştiriniz. Kesme açısı 20° - 50° olan boylamasına kesimlerde koruma başlığını manuel olarak açınız.



Daire testere, kılavuz ray üzerinde iş parçasının arkasına yerleştirilmelidir.
Testere bıçağının güç parçası ile temas etmemesine dikkat edilmelidir.

3. Daire testereyi açınız.



4. Daire testereyi eşit şekilde iş parçasının üzerine itiniz.

- ↳ Pandül koruma kapağı, 20° altındaki kesme açılarında yanal bağlantı kenarı ile temas ettiğinde açılır.
- ↳ Kılavuz rayın sonuna kadar sürüldükten sonra yeniden kapanır.

5.8 Talaş emme ile ve talaş emme olmadan kesme

Daire testere, ortak emme hortumları için tasarlanmış 27 mm çapında bir bağlantı parçası ile donatılmıştır. Toz emici hortumunu daire testereye bağlamak için uygun bir adaptör gerekebilir.

Mümkünse her zaman ahşap veya ahşap ve mineraller için uygun bir mobil bir toz emici kullanınız.

Talaş emme olmadan çalışıyorsanız talaşların size doğru gelmemesi için ilgili parçayı uygun şekilde döndürerek ayarlayınız.



Her zaman P2 filtre sınıfından bir solunum maskesi kullanınız ve toz etkisini düşük tutmak için her zaman yeterli havalandırma olmasını sağlayınız.

6 Bakım ve onarım

6.1 Bakım ve onarım



İKAZ

Elektrik çarpması tehlikesi! Şebeke fişi takılıyken yapılan bakım ve onarım çalışmaları ciddi yaralanmalara ve yanıklara neden olabilir.

- ▶ Tüm bakım ve onarım çalışmalarından önce her zaman şebeke fişi çekilmelidir!

Bakım

- Yapışmış olan kir dikkatlice çıkarılmalıdır.
- Havalandırma deliklerini kuru bir fırça ile dikkatlice temizleyiniz.
- Gövde sadece hafif nemli bir bezle temizlenmelidir. Plastik parçalara yapışabileceğinden silikon içerikli bakım maddeleri kullanılmamalıdır.

Onarım



İKAZ

Elektrik çarpması tehlikesi! Elektrikli parçalarda usulüne uygun olmayan onarımlar ciddi yaralanmalara ve yanıklara neden olabilir.

- ▶ Elektrik parçalarındaki onarımlar sadece elektronik uzmanı tarafından yapılabilir.
- Görünür tüm parçalarda hasar olup olmadığı ve kumanda elemanlarının sorunsuz şekilde çalıştığı kontrol edilmelidir.
- Hasar ve/veya fonksiyon arızaları durumunda ürün çalıştırılmamalıdır. Derhal **Hilti** servisi tarafından onarılmalıdır.
- Bakım ve onarım çalışmalarından sonra tüm koruma tertibatları yerleştirilmeli ve fonksiyonları kontrol edilmelidir.



Güvenli çalışma için sadece orijinal yedek parçalar ve sarf malzemeleri kullanınız. Tarafımızdan onaylanmış, yedek parçaları, aksesuarları ve sarf malzemelerini **Hilti Store** veya adresinde bulabilirsiniz. www.hilti.group.

6.2 Bakım ve onarım çalışmalarından sonra kontrol



Bakım ve onarım çalışmalarından sonra tüm koruma tertibatlarının yerinde olup olmadığı ve hatasız çalıştığı kontrol edilmelidir.

- ▶ Pandül koruma kapağının kontrol edilmesi için bunu, kumanda koluna dokunarak tamamen açınız.
 - ↳ Kumanda kolunu bıraktıktan sonra pandül koruma kapağı hızlı bir şekilde ve tamamen kapanmalıdır.

6.3 Talaş kanalının temizlenmesi



Gerekirse, temizleme sırasında testere bıçağını çıkartınız.



1. Şebeke fişini prizden çekiniz.
2. Testere bıçağını sökünüz. → Sayfa 145
3. Talaş kanalını temizleyiniz.
4. Testere bıçağını yerleştiriniz. → Sayfa 145
5. Hareketli parçaların kusursuz çalışma ve sıkışmama, parçaların kırılıp kırılmama veya hasar görüp görmeme ve alet fonksiyonlarının kısıtlanma durumlarını kontrol ediniz.

6.4 Koruma tertibatının temizlenmesi

1. Testere bıçağını sökünüz. → Sayfa 145
2. Koruma tertibatlarını dikkatlice kuru bir fırça ile temizleyiniz.
3. Koruma tertibatlarının iç kısımlarında bulunan tortuları ve talaşları uygun bir alet ile temizleyiniz.
4. Testere bıçağını yerleştiriniz. → Sayfa 145

7 Hata arama

Arıza	Olası sebepler	Çözüm
Alet, tam güce sahip değil.	Uzatma kablosu çok uzun ve / veya kesitleri yetersiz.	► İzin verilen uzunlukta ve / veya yeterli kesitte bir uzatma kablosu kullanınız.
	Güç kaynağının gerilimi çok düşük.	► Aleti başka bir güç kaynağına bağlayınız.
Alet çalışmıyor.	Güç kaynağı kesildi.	► Başka bir elektrikli alet takınız ve fonksiyonunu kontrol ediniz.
	Şebeke kablosu veya fiş arızalı.	► Şebeke kablosunu veya fişi elektrik uzmanına kontrol ettiriniz ve gerekirse Hilti servisi tarafından yenisi ile değiştirilmesini sağlayınız.
	Açma/Kapatma şalteri bozuk.	► Ürün Hilti servisi tarafından onarılmalıdır.
	Kömür aşınmış.	► Ürün Hilti servisi tarafından onarılmalıdır.
Emiş gücü yok veya düşük	Talaş kanalı tıkanmış.	► Talaş kanalını temizleyiniz. → Sayfa 147
Pandül koruma kapağı kapanmıyor.	Koruma tertibatı tıkanmış.	► Koruma tertibatını temizleyiniz. → Sayfa 148
Alet normalden daha fazla titreşiyor.	Testere bıçağı yanlış takılmış.	► Testere bıçağını sökünüz ve yeniden doğru biçimde yerleştiriniz.

8 İmha

Hilti aletleri yüksek oranda geri dönüşümlü malzemelerden üretilmiştir. Geri dönüşüm için gerekli koşul, usulüne uygun malzeme ayırımıdır. Çoğu ülkede **Hilti**, eski aletlerini yeniden değerlendirmek üzere geri alır. Bu konuda **Hilti** müşteri hizmetlerinden veya satış temsilcilerinizden bilgi alabilirsiniz.



- Elektrikli el aletlerini, elektronik cihazları ve aküleri evdeki çöplere atmayınız!

9 RoHS (Tehlikeli madde kullanımını kısıtlama direktifi)

Aşağıdaki linkte tehlikeli maddeler tablosunu bulabilirsiniz: qr.hilti.com/r2937786.

RoHS tablosunun linkini bu dokümanın sonunda QR kodu olarak bulabilirsiniz.



10 Üretici garantisi

- Garanti koşullarına ilişkin sorularınız için lütfen yerel **Hilti** iş ortağınıza başvurunuz.



1 문서 관련 기재사항

1.1 본 문서에 대해

- 처음 사용하기 전에 본 문서 전체를 읽으십시오. 안전하게 작업하고 문제 없이 취급하기 위한 전제가 됩니다.
- 본 문서 및 제품에 나와 있는 안전 지침 및 경고 지침에 유의하십시오.
- 항상 제품에 있는 사용 설명서를 잘 보관하고 제품은 반드시 본 지침과 함께 다른 사람에게 전달하십시오.

1.2 기호 설명

1.2.1 경고사항

본 제품을 다루면서 발생할 수 있는 위험에 대한 경고사항. 다음과 같은 시그널 워드가 사용됩니다.



위험

위험!

- ▶ 이 기호는 직접적인 위험을 표시합니다. 만약 지키지 않으면 심각한 부상을 당하거나 사망할 수도 있습니다.



경고

경고!

- ▶ 이 기호는 잠재적인 위험을 표시합니다. 만약 지키지 않으면 심각한 부상을 당하거나 사망할 수도 있습니다.



주의

주의!

- ▶ 이 기호는 특별히 중요한 안전상의 주의사항을 표시합니다. 만약 지키지 않으면, 심각한 부상 또는 물적 손실을 입을 수 있습니다.

1.2.2 문서에 사용된 기호

본 문서에서 사용되는 기호는 다음과 같습니다.

	사용하기 전에 사용설명서를 읽으십시오.
	적용 지침 및 기타 유용한 사용정보
	재사용이 가능한 자재 취급방법
	전기 기기 및 배터리를 일반 가정의 쓰레기처럼 폐기해서는 안 됨

1.2.3 그림에 사용된 기호

다음과 같은 기호가 그림에 사용됩니다.

2	이 숫자는 본 설명서의 첫 부분에 있는 해당 그림을 나타냅니다.
3	매겨진 숫자는 작업 단계의 순서를 나타내며, 텍스트에 매겨진 작업 단계와 차이가 있을 수 있습니다.
11	항목 번호는 개요 그림에서 사용되며, 제품 개요 단락에 나와 있는 기호 설명 번호를 나타냅니다.
	이 표시는 제품을 다룰 때, 특별히 주의할 사항을 나타냅니다.

1.3 제품 관련 기호

1.3.1 제품에 사용된 기호

다음과 같은 기호가 제품에 사용됩니다.



	무선 데이터 전송
n_0	무부하 회전속도
	보호 등급 II (이중 절연)
	톱날

1.4 제품 정보

HILTI 제품은 전문가용으로 설계되어 있으며, 해당 교육을 이수한 공인된 작업자를 통해서만 조작, 유지 보수 및 수리 작업을 진행할 수 있습니다. 이 기술자는 발생할 수 있는 위험에 대해 특별 교육을 받은 상태여야 합니다. 교육을 받지 않은 사람이 제품을 부적절하게 취급하거나 규정에 맞지 않게 사용할 경우에는 기기와 그 보조기구에 의해 부상을 당할 위험이 있습니다.

형식 명칭 및 일련 번호는 형식 라벨에 제시되어 있습니다.

▶ 일련 번호를 다음의 표에 옮기십시오. 대리점 또는 서비스 센터에 문의할 경우 제품 제원이 필요합니다.

제품 제원

원형톱	SC 55W
세대	01
일련 번호	

1.5 적합성 선언

페사는 전적으로 책임을 지고 여기에 기술된 제품이 통용되는 기준과 규격에 일치함을 공표합니다. 적합성 증명서 사본은 본 문서 끝 부분에서 확인할 수 있습니다.

기술 문서는 이곳에 기술되어 있습니다.

Hilti Entwicklungsgesellschaft mbH | Zulassung Geräte | Hiltistraße 6 | 86916 Kaufering, DE

2 안전

2.1 전동 공구에 대한 일반적인 안전상의 주의사항

⚠ 경고 해당 전동 공구와 함께 동봉된 모든 안전상의 주의 사항, 지침, 그림 및 기술자료를 숙지하십시오. 다음과 같은 지침 내용을 준수하지 않으면 전기 충격, 화재가 발생하거나 그리고/또는 중상을 입을 수 있습니다. 앞으로 모든 안전상의 주의사항과 지침을 보관하십시오.

안전상의 주의사항에서 사용되는 "전동 공구"라는 개념은 전원에 연결하여 사용하는 전동 공구(전원 케이블 있음) 또는 배터리를 사용하는 전동 공구(전원 케이블 없음)를 의미합니다.

작업장 안전수칙

- ▶ 작업장을 항상 깨끗이 하고 조명이 잘 들도록 하십시오. 어수선한 작업환경 또는 어두운 작업장은 사고를 초래할 수 있습니다.
- ▶ 인화성 액체, 가스 또는 먼지가 있어 폭발 위험이 있는 환경에서는 전동 공구를 사용하지 마십시오. 전동 공구는 먼지나 증기를 점화시킬 수 있는 스파크를 일으킵니다.
- ▶ 전동 공구를 사용할 때, 어린이들이나 다른 사람들이 작업장에 접근하지 못하도록 하십시오. 다른 사람의 방해로 인해 기기를 통제하기 어렵습니다.

전기에 관한 안전수칙

- ▶ 전동 공구의 전원 플러그가 소켓에 잘 끼워져야 합니다. 플러그를 절대 변형시켜서는 안됩니다. 접지된 전동 공구와 함께 아답타 플러그를 사용하지 마십시오. 변형되지 않은 플러그와 적합한 소켓을 사용하면 감전의 위험을 줄일 수 있습니다.
- ▶ 파이프, 히터, 전기레인지, 냉장고와 같은 접지 표면에 신체 접촉을 피하십시오. 신체에 닿을 경우 감전될 위험이 높습니다.
- ▶ 전동 공구가 비에 맞지 않도록 하고 습한 장소에 두지 마십시오. 전동 공구에 물이 들어가면 감전될 위험이 높습니다.
- ▶ 전원 케이블만 잡고 전동 공구를 운반하거나 걸어 놓아서는 안되며, 소켓에서 전원 플러그를 빼낼 때 케이블만 잡은 채로 빼내지 마십시오. 전원 케이블이 열, 오일, 날카로운 모서리 또는 부품의 가동 부위에 접촉하지 않도록 주의하십시오. 손상되거나 서로 꼬인 전원 케이블은 감전 위험을 높입니다.
- ▶ 실외에서 전동 공구를 이용하여 작업할 때, 실외용으로 승인된 연장 케이블만 사용하십시오. 실외용 연장 케이블을 사용하면 감전의 위험을 줄여줍니다.



- ▶ 전동 공구를 습한 환경에서 사용하는 것을 피할 수 없을 경우, 누전 차단기를 사용하십시오. 누전 차단기를 사용하면 감전 위험을 줄일 수 있습니다.

사용자 안전수칙

- ▶ 신중하게 작업하십시오. 작업에 정신을 집중하고 전동 공구를 사용할 때 경솔하게 행동하지 마십시오. 피곤하거나 항정신성 약물, 술 또는 약을 복용시에는 전동 공구를 사용하지 마십시오. 전동 공구 사용 시 이에 유의하지 않을 경우 심각한 부상을 초래할 수 있습니다.
- ▶ 안전 장비를 갖추고 보안경을 착용하십시오. 전동 공구의 종류와 사용에 따라, 먼지 보호 마스크, 미끄럼 방지용 안전 신발, 안전모 또는 귀마개 등과 같은 안전한 보호장비를 착용하면 부상의 위험을 줄일 수 있습니다.
- ▶ 실수로 기기가 작동하지 않도록 주의하십시오. 전동 공구를 전원 그리고/또는 배터리에 연결하기 전, 보관 또는 운반 전에 전동 공구가 스위치 OFF 상태인지 확인하십시오. 전동 공구 운반 시 스위치에 손가락을 대거나 스위치가 켜진 상태에서 전원을 연결하면 사고를 유발할 수 있습니다.
- ▶ 전동 공구의 스위치를 켜기 전, 조정공구 또는 렌치를 제거하십시오. 기기 회전부에 남아있는 공구나 렌치로 인해 부상을 입을 수 있습니다.
- ▶ 작업 시 비정상적인 자세는 피하십시오. 안전한 작업자세가 되도록 하고, 항상 균형을 유지하십시오. 이렇게 하여 예기치 않은 상황에서도 전동 공구를 잘 제어할 수 있습니다.
- ▶ 적합한 작업복을 착용하십시오. 헐렁한 복장이나 장식품을 착용하지 마십시오. 작동하는 기기 가동 부위에 머리, 옷 그리고 장갑이 가까이 닿지 않도록 주의하십시오. 헐렁한 복장, 장식품 혹은 긴 머리가 가동 부위에 말려 들어갈 수 있습니다.
- ▶ 먼지 제거장치나 수거장치를 설치할 수 있는 기기의 경우, 이 장치들이 연결되어 있는지 그리고 제대로 작동되는지를 확인하십시오. 먼지 포집장치 사용은 먼지로 인한 위험을 줄여줄 수 있습니다.
- ▶ 이 전동 공구를 여러번 사용해봤다고 해서 안전하다고 안심하지 말고 전동 공구에 해당되는 안전 규칙을 무시하지 마십시오. 부주의하게 행할 경우 아주 짧은 순간에 중상을 입을 수 있습니다.

전동 공구의 취급과 사용

- ▶ 기기에 과부하가 걸리지 않도록 하십시오. 귀하의 작업에 적합한 전동 공구를 사용하십시오. 적합한 전동 공구를 사용하면, 지정된 성능 한도 내에서 더 효율적으로 안전하게 작업할 수 있습니다.
- ▶ 스위치가 고장난 전동 공구는 사용하지 마십시오. 스위치가 작동되지 않는 전동 공구는 위험하므로, 반드시 수리를 해야 합니다.
- ▶ 기기 세팅을 실행, 액세서리를 교환 또는 기기를 보관하기 전에 컨넥터를 전원소켓에서 그리고/또는 탈착식 배터리를 기기에서 빼놓으십시오. 이러한 조치는 실수로 전동 공구가 작동하지 않도록 방지합니다.
- ▶ 사용하지 않는 전동 공구는 어린이들의 손이 닿지 않는 곳에 보관하십시오. 기기 사용에 익숙치 않거나 또는 이 안전수칙을 읽지 않은 사람이 기기를 사용해서는 안 됩니다. 비숙련자가 전동 공구를 사용하면 위험합니다.
- ▶ 전동 공구 및 액세서리를 유의해서 관리하십시오. 기기의 가동 부위가 완벽하게 작동하는지, 끼어 있지 않은지, 혹은 부품이 손상되거나 파손되어 있어 전동 공구의 기능을 저하시키지 않는지 점검하십시오. 기기 사용 전 손상된 부품을 수리하도록 하십시오. 제대로 관리되지 않은 전동 공구는 많은 사고를 유발합니다.
- ▶ 절단기기는 날카롭고 깨끗하게 관리하십시오. 날카로운 절단면이 있고 잘 관리된 절단기기는 끼이는 경우가 드물고 조절하기도 쉽습니다.
- ▶ 본 지침에 따라 전동 공구, 액세서리, 공구 비트 등을 사용하십시오. 이 때 작업 조건과 실시하려는 작업 내용을 고려하십시오. 원래 사용 분야가 아닌 다른 작업에 전동 공구를 사용할 경우, 위험한 상황을 초래할 수 있습니다.
- ▶ 손잡이 및 손잡이 표면은 건조하고 깨끗하게, 그리고 오일과 그리스가 묻어있지 않도록 해야 합니다. 미끄러운 손잡이 및 손잡이 표면은 예상치 못한 상황에서 전동 공구를 안전하게 조작하고 제어할 수 없습니다.

서비스

- ▶ 전동 공구는 반드시 자격을 갖춘 전문가에 의해 그리고 순정 대체부품만 이용하여 수리해야 합니다. 이렇게 하여 전동 공구의 안전성을 계속해서 유지할 수 있습니다.

2.2 모든 톱에 대한 안전상의 주의사항

톱 작업 방식

- ▶ **⚠ 위험:** 절단 부위와 톱날 근처에 손을 대지 마십시오. 다른 한 손은 보조 손잡이나 모터 하우징을 잡으십시오. 양쪽 손으로 톱을 잡고 있으면, 톱날로 인해 손을 다치지 않습니다.
- ▶ 공작물 아래쪽을 잡지 마십시오. 안전반이 있어도 공작물 아래쪽에서 톱날로 인해 부상을 입을 수 있기 때문입니다.
- ▶ 절단 깊이를 공작물의 두께에 맞게 조절하십시오. 공작물 아래에서 톱날의 톱니가 한 개 이상 보여서는 안 됩니다.
- ▶ 절단하려는 공작물을 절대로 손에 들고 있거나 다리 위에 고정하지 마십시오. 공작물을 고정된 마운트에 안전하게 두십시오. 톱날이 몸에 닿거나 또는 톱날이 걸려서 통제력을 잃는 것을 방지하려면 공작물을 제대로 고정하는 것이 중요합니다.



- ▶ 작업 수행 시, 기기 비트가 보이지 않는 전기 케이블이나 전원 케이블에 닿을 수 있으므로, 전동공구의 절연 손잡이 면만 잡으십시오. 전류가 흐르는 선전과 접촉하게 될 경우 전동공구의 금속 부위를 통해 감전이 될 수도 있습니다.
- ▶ 길이방향 절단 작업을 할 때 항상 립 펜스나 직선형의 모서리 가이드를 사용하십시오. 이렇게 하면 보다 정확한 절단이 가능하며 톱날이 걸릴 위험이 줄어듭니다.
- ▶ 항상 적합한 마운팅 구멍(예: 다이아몬드형 또는 원형)과 정확한 크기의 톱날을 사용하십시오. 톱날 조립 부품에 맞지 않는 톱날은 제대로 회전하지 않으며 제어가 어렵습니다.
- ▶ 절대로 손상되었거나 맞지 않는 톱날 외셔나 볼트를 사용하지 마십시오. 톱날 디스크와 볼트는 귀하의 톱에 맞도록 최상의 성능과 작업 안전을 위해 특별히 설계된 것입니다.

반동 현상의 원인과 안전상의 주의사항

- 반동력이란 고착되었거나 잘못 고정된 톱날로 인한 갑작스러운 반응으로, 이때 톱이 제어되지 않고 공작물에서 빠져나와 작업자가 있는 방향으로 움직이게 됩니다.
- 톱날이 톱에 걸리거나 끼이게 되면, 톱날이 끼여 움직이지 않게 되고 엔지니어링으로 인해 톱은 작업자가 있는 방향으로 돌아가게 됩니다.
- 톱날이 작업 중에 끼이거나 잘못 고정되면 뒤쪽 톱날 모서리의 기어이가 재료의 표면에 걸릴 수 있습니다. 이때 톱날은 톱에서 빠져나와 작업자가 있는 방향으로 돌아가게 됩니다.

반동은 톱을 제대로 사용하지 못할 경우 생기는 결과입니다. 다음에 설명한 대로 적당한 예방 조치를 취하면 방지할 수 있습니다.

- ▶ 톱을 양손으로 확실하게 고정시키고 팔을 기기의 반동력을 억제할 수 있는 위치에 놓으십시오. 항상 톱날 옆으로 서서 작업하고 절대로 몸과 일직선이 되게 하지 마십시오. 반동이 생길 경우, 원형 톱이 뒤로 튕길 수 있으나 작업자가 적절한 조치를 취하면 반동력을 제어할 수 있습니다.
- ▶ 톱날이 끼거나 작업을 중단하려면, 톱을 끄고 톱날이 정지상태 이룰 때까지 움직이지 말고 자재에 대고 있으십시오. 톱날이 움직이고 있을 때 톱을 공작물에서 빼내거나 뒤로 당기려고 하지 마십시오. 그렇지 않으면 반동력이 발생할 수 있습니다. 톱날이 끼어서 움직이지 않는 원인을 확인하고 제거하십시오.
- ▶ 공작물에 끼여져 있는 톱을 재시동하려면 톱날을 절단면 가운데에 맞추고 톱이나 공작물에 물려 있지 않은지 확인하십시오. 톱날이 물려 있으면 재시동할 경우 톱날이 공작물 밖으로 나오면서 반동을 일으킬 수 있습니다.
- ▶ 톱날 걸림 또는 반응이 발생하는 위험을 최소화하기 위해 대형 패널을 받쳐주십시오. 대형 패널은 자체의 중량으로 인해 휘어질 수 있습니다. 절단면 근처와 모서리에 양쪽으로 패널을 받쳐주어야 합니다.
- ▶ 무디거나 손상된 톱날을 사용하지 마십시오. 무디거나 제대로 세팅되지 않은 톱날은 너무 좁은 톱 자국으로 인해 과도한 마찰, 톱날의 물림 그리고 반동을 유발합니다.
- ▶ 절단 작업 전에 절단 깊이 및 절단 각도의 위치를 단단히 설정하십시오. 작업 중에 세팅이 달라지면, 톱날이 끼거나 반동력이 발생할 수 있습니다.
- ▶ 벽이 있거나 혹은 다른 보이지 않는 영역에서 절단 작업시에는 특히 조심하십시오. 삽입된 톱날은 절단 작업 시 보이지 않는 물체를 차단하거나 반동을 유발할 수 있습니다.

하부 안전반 기능

- ▶ 매번 사용하기 전에 항상 하부 안전반이 제대로 닫히는지 확인하십시오. 하부 안전반이 자유로이 움직이지 않고 빨리 닫히지 않는 톱은 사용하지 마십시오. 절대로 하부 안전반을 열린 상태로 고정하거나 묶지 마십시오. 실수로 톱이 바닥에 떨어지면 안전반이 휘어질 수 있습니다. 안전반을 뒤로 당기는 레버로 열고, 안전반이 자유로이 움직이는지 그리고 모든 절단 각도와 깊이의 경우 톱날과 다른 부위에 닿지 않도록 확인하십시오.
- ▶ 하부 안전반용 스프링이 제대로 작동하는지 확인하십시오. 하부 안전반과 스프링에 하자가 있으면 톱을 사용하기 전에 수리하십시오. 손상된 부품, 끈적이는 침전물 혹은 축적된 톱밥으로 인해 안전반의 기능에 장애가 생깁니다.
- ▶ "플러징 절단 작업이나 각도 절단 작업" 등 특수한 절단 작업을 할 경우에만 하부 안전반을 손으로 여십시오. 하부 안전반을 뒤로 당기는 레버로 열고 톱날이 공작물 안으로 들어가면 하부 안전반을 다시 놓으십시오. 다른 모든 절단 작업에서는 하부 안전반이 자동으로 작동해야 합니다.
- ▶ 톱을 작업대나 바닥에 놓기 전에 하부 안전반이 톱날을 덮고 있는지 항상 확인하십시오. 보호 장치 없이 톱날이 계속 돌아가면 톱이 절단 방향 반대쪽으로 움직이며 그 경로에 있는 것을 모두 절단합니다. 그러므로 스위치를 끄고 나서 톱날이 완전히 멈출 때까지의 시간을 고려하십시오.

2.3 원형톱에 대한 추가적인 안전상의 주의사항

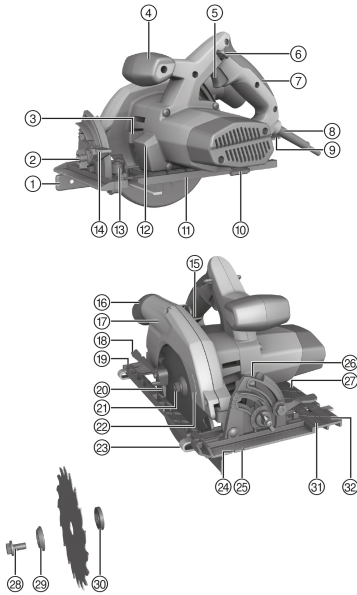
- ▶ 소형 원형톱은 전원이 켜진 상태에서만 공작물 쪽으로 가져가십시오.
 - ▶ 절단 경로 위/아래에 어떠한 장애물도 있어서는 안 됩니다. 톱으로 볼트, 핀 등을 절단하지 마십시오.
- ▶ 절대로 머리 위쪽에서 원형톱으로 작업하지 마십시오.
- ▶ 측면을 눌러 톱날의 작동을 멈추지 마십시오.
- ▶ 톱니의 뾰족한 끝이 과열되지 않게 주의하십시오.
- ▶ 플라스틱을 절단할 때는 플라스틱이 융해되지 않게 주의하십시오.



- ▶ 항상 절단하고자 하는 모재에 맞는 톱날을 사용하십시오.
- ▶ Hilti에서 권장하는 EN 847-1 규격에 준하는 톱날만 사용하십시오.

3 제품 설명

3.1 제품 개요 1



- ① 병렬 스톱, 외팔형
- ② 절단각 사전 설정
- ③ 스피들 로킹 버튼
- ④ 보조 손잡이
- ⑤ ON/OFF 스위치
- ⑥ 스위치ON로크
- ⑦ 손잡이
- ⑧ 전원 케이블
- ⑨ 절입 깊이 조절을 위한 클램핑 레버
- ⑩ 알렌키
- ⑪ 소형 베이스 플레이트
- ⑫ LED 조명
- ⑬ 전방 병렬 스톱용 클램핑 레버
- ⑭ 절단각 조절을 위한 클램핑 레버
- ⑮ 절단 깊이 눈금
- ⑯ 컨넥터 (먼지 흡입기)
- ⑰ 보호캡
- ⑱ 진동 보호캡 작동 레버
- ⑲ 후방 병렬 스톱용 클램핑 레버(대형 베이스 플레이트용으로만)
- ⑳ 회전 보호 안전반
- ㉑ 구동스핀들
- ㉒ 회전 방향 화살표
- ㉓ 병렬 스톱, 양팔형
- ㉔ 절단표시 0°
- ㉕ 절단표시 45°
- ㉖ 절단각 눈금
- ㉗ 대형 베이스 플레이트
- ㉘ 클램핑 볼트
- ㉙ 고정 플랜지
- ㉚ 마운팅 플랜지
- ㉛ 베이스 플레이트 홈 표시 0°
- ㉜ 베이스 플레이트 홈 표시 1° - 50°

3.2 가이드 레일 어댑터 개요 2

- ㉝ 후방 리테이닝 탭
- ㉞ 전방 홀딩 프레임
- ㉟ 홈 표시 0°
- ㊱ 홈 표시 1° - 50°

3.3 규정에 맞는 사용

기술된 제품은 원형톱입니다. 본 제품은 절단 깊이가 최대 55 mm 및 마이터 컷 최대 50° 이하인 목재 또는 그와 유사한 소재, 플라스틱, 석고보드, 석고 패널 및 복합재의 톱질 작업에 사용됩니다.

3.3.1 잘못 사용할 수 있는 경우

기술자료에 제시된 제한과 일치하지 않는 톱날, 고합금 고속도강(HSS 강) 소재의 커팅 디스크 및 그라인딩 디스크를 사용해서는 안 됩니다. 금속을 절단해서는 안 됩니다.



3.4 공급품목

원형톱, 톱날, 알렌키, 병렬 스톱, 사용 설명서.



안전한 사용을 위해서 순정 예비 부품 및 소모품만을 사용하십시오. 해당 제품에 허용되는 예비 부품, 소모품 및 액세서리는 **Hilti Store** 또는 **www.hilti.group**에서 확인할 수 있습니다.

4 기술자료

4.1 기술자료



정격 전압, 정격 전류, 주파수 및 정격 출력은 국가별 형식 라벨을 참조하십시오.

발전기 또는 변압기에서 작동할 경우, 발전기 및 변압기의 공급 출력이 본 기기의 형식 라벨에 적힌 정격 출력보다 최소 두 배 이상 높아야 합니다. 변압기 및 발전기의 작동 전압은 항상 기기의 정격 전압의 +5 % ~ -15 % 사이에 위치해야 합니다.

무게, 소형 베이스 플레이트	4.5kg
무게, 대형 베이스 플레이트	4.7kg
톱날 직경	160mm ... 165mm
톱날의 플레이트 두께	1.1mm ... 1.5mm
톱날 마운팅 구멍	20mm
0°에서의 절단 깊이	0mm ... 55mm
45°에서의 절단 깊이	0mm ... 41mm
50°에서의 절단 깊이	0mm ... 37mm
공회전 속도	5,500/min

4.2 EN 62841에 따른 소음 정보 및 진동값

이 지침에 제시된 음압 및 진동수준은 표준화된 측정방법에 따라 측정된 것이며, 전동 공구를 서로 비교하기 위한 용도로 사용할 수 있습니다. 음압 및 진동 수준은 노출 정도를 사전에 예측하는 데에도 유용하게 사용할 수 있도록 설계되어 있습니다.

제시된 데이터는 전동 공구의 주된 용도를 나타냅니다. 그러나 전동 공구를 다른 용도로 사용하거나 다른 공구 비트를 사용할 경우 또는 유지보수를 충분히 하지 않은 상태에서는 데이터에 편차가 있을 수 있습니다. 이러한 경우 전 작업시간에 걸쳐 노출이 현저하게 증가할 수 있습니다.

노출을 정확하게 평가하기 위해서는 기기 작동이 멈춰 있거나 또는 작동 중이지만 실제로는 사용하지 않는 시간도 고려해야 합니다. 이러한 경우 전 작업시간에 걸쳐 노출이 현저하게 감소할 수 있습니다.

사용자를 보호하기 위해 음파 그리고/또는 진동이 작동하기 전에 다음과 같은 추가적인 안전 조치를 취하십시오. 전동 공구와 공구 비트의 유지보수, 손을 따뜻하게 유지, 작업순서 정하기 등.

소음 정보

소음 수준 (L_{WA})	101dB(A)
소음 수준 (L_{pA})	90dB(A)
허용공차	3dB(A)

진동 정보

	230 V	110 V
목재 절단 시 3축 진동값($a_{h,i}$)	1.77m/s ² (5.81ft/s ²)	2.12m/s ² (6.96ft/s ²)
허용공차(K)	1.5m/s ²	1.5m/s ²



5.1 톱날 탈거

경고

화상위험 뜨거운 공구, 고정 플랜지 또는 클램핑 볼트 및 날카로운 톱날 모서리로 인한 위험.

▶ 치줄을 교환할 때에는 보호장갑을 착용하십시오.

1. 전원 플러그를 소켓에서 빼내십시오.
2. 톱날용 고정 나사에 알렌키를 설치하십시오.
3. 스프링 고정 헤드를 계속 누르고 계십시오.
4. 알렌키를 통해 스프링 스톱 버튼이 완전히 안착될 때까지 톱날의 클램핑 볼트를 돌리십시오.
5. 알렌키를 이용하여 클램핑 볼트를 화살표 회전방향으로 돌려서 푸십시오.
6. 클램핑 볼트와 외부 고정 플랜지를 떼어내십시오.
7. 진동 보호캡을 옆으로 돌려서 열고 톱날을 분리하십시오.



필요한 경우 세척을 위해 마운팅 플랜지를 빼낼 수 있습니다.

5.2 톱날 장착

주의

손상 위험 톱날이 적합하지 않거나 또는 잘못 사용하면 톱이 손상될 수 있습니다.

- ▶ 해당 톱에 적합한 톱날만 사용하십시오. 톱날 위의 회전방향 화살에 유의하십시오.
- ▶ 허용 회전속도가 제품에 제시된 최고 회전속도 이상인 톱날만 사용하십시오.

1. 전원 플러그를 소켓에서 빼내십시오.
2. 마운팅 플랜지 및 고정 플랜지를 청소하십시오.
3. 마운팅 플랜지를 올바른 방향으로 끼우십시오.
4. 진동 보호캡을 여십시오.
5. 새 톱날을 끼우십시오.
6. 외부 고정 플랜지를 정확한 방향으로 끼우십시오.
7. 클램핑 볼트를 설치하십시오.
8. 톱날용 클램핑 볼트에 알렌키를 설치하십시오.
9. 클램핑 볼트와 함께 고정 플랜지를 시계 방향으로 돌려 고정시키십시오. 이때 스프링 로킹 버튼을 손으로 누르고 계십시오.
10. 처음 사용 전에 톱날이 정확한 위치에 단단하게 설치되었는지 확인하십시오.

5.3 절단 깊이 설정

1. 전원 플러그를 소켓에서 빼내십시오.
2. 절단 깊이 조절을 위한 클램핑 레버를 푸십시오.
3. 원형톱이 가위 모양으로 움직일 수 있도록 들어 올린 후 절단 깊이를 조정하십시오.
 - ▶ 절단 깊이는 절단 깊이 눈금에 나타납니다.



절단 모서리를 말끔하게 하려면 절단 깊이는 자재 두께에 2mm 더한 값과 일치해야 합니다.

4. 절입 깊이 조절을 위한 클램핑 레버를 고정하십시오.

5.4 절단 각도 설정

1. 전원 플러그를 소켓에서 빼내십시오.
2. 절단각 설정의 클램핑 레버를 푸십시오.
3. 베이스 플레이트를 원하는 절단 각도로 회전시키십시오.
 - ▶ 절단각이 절단각 눈금에 표시됩니다.
4. 절단각 설정의 클램핑 레버를 단단히 고정하십시오.



5.5 균열 표시기

직선 컷 및 사선 컷을 위해 원형톱의 앞쪽 베이스 플레이트에 균열 표시기가 있습니다(0° 및 45°). 이를 통해 선택한 절단 각도에 따라 정밀한 절단 작업을 진행할 수 있습니다. 균열면은 톱날의 안쪽에 해당됩니다. 균열 표시기는 톱날의 앞쪽에 있습니다.

5.5.1 과선을 그은 후 톱질 작업하기 7



공작물이 밀리지 않도록 하십시오.

톱날이 공작물 아래에서 자유롭게 움직일 수 있도록 공작물을 배치하십시오.

제품에서 ON/OFF 스위치가 꺼져 있는지 확인하십시오.

톱날이 공작물과 접촉하지 않도록 원형톱을 베이스 플레이트와 함께 공작물 위에 놓으십시오.

1. 원형톱의 전원을 켜십시오.
2. 적당한 작업속도로 금을 따라 공작물을 절단하십시오.

5.6 병렬 스톱을 이용한 절단 작업 8

외팔형 병렬 스톱을 통해 공작물 모서리에 맞춰 정확한 절단 및 일정한 레일의 절단이 가능합니다. 병렬 스톱은 베이스 플레이트의 양쪽 면에 설치할 수 있습니다.

양팔형 병렬 스톱은 대형 베이스 플레이트와 함께만 사용할 수 있습니다.

병렬 스톱이 올바른 방향으로 설치되었는지 확인하십시오.

5.7 가이드 레일로 절단하기

절단 작업 시 가이드 레일을 이용하면 반동 위험을 줄일 수 있습니다.

5.7.1 원형톱을 가이드 레일 어댑터에 탈/장착하기 9



소형 베이스 플레이트가 장착된 톱의 경우, 가이드 레일에 꼭 맞는 가이드 레일 어댑터를 사용하십시오.

1. 경우에 따라 설치된 병렬 스톱을 제거하십시오.
2. 베이스 플레이트를 가이드 레일 어댑터의 뒷면 홀딩 프레임에 끼우십시오.
3. 베이스 플레이트 앞쪽을 가이드 레일 어댑터에 완전하게 삽입하십시오. 베이스 플레이트는 전방 홀딩 프레임에 완전히 끼워져야 합니다.
4. 다시 꺼내기 위해서 전방 홀딩 프레임을 살짝 앞으로 당기고 원형톱을 가이드 레일 어댑터에서 빼내십시오.

5.7.2 0°에서의 길이방향 절단 10

- ▶ 가이드 레일의 브릿지 위에 "0°"의 홈 표시가 있는 원형톱을 올리십시오.

5.7.3 50° 이하에서의 길이방향 절단 11



주의

손상 위험 톱을 잘못된 홈에 삽입하면 톱날과 가이드 레일이 충돌할 수 있습니다.

- ▶ 해당 홈에 정확히 톱을 삽입하십시오.

- ▶ 가이드 레일의 브릿지 위에 "1° - 50°"의 홈 표시가 있는 톱을 올리십시오.

5.7.4 가이드 레일을 이용해 절단하기 12

1. 아래쪽에서 두 개의 스크루 클램프로 가이드 레일을 단단히 고정하십시오.
2. 원형톱을 가이드 레일의 설치영역에 올려 놓으십시오. 절단각이 20° - 50°일 때 길이방향으로 절단하려면 보호캡을 손으로 여십시오.



원형톱은 공작물 뒤에 있는 가이드 레일 위에 설치해야 합니다.

톱날이 공작물과 접촉하지 않도록 유의하십시오.

3. 원형톱의 전원을 켜십시오.
4. 원형톱을 공작물 위로 일정하게 미십시오.
 - ↳ 진동 보호캡은 노칭 가공된 모서리 부분과 접촉 시 20° 미만으로 절단각으로 열립니다.
 - ↳ 진동 보호캡은 가이드 레일 끝에서 나오면서 다시 닫힙니다.



5.8 절단 부스리기 진공청소 기능 포함/미포함 톱질작업

원형톱에는 컨넥터가 설치되어 있으며, 이 컨넥터는 직경이 27 mm인 통용되는 흡입 호스를 위해 설계되었습니다. 먼저 흡입기의 흡입 호스를 원형톱에 연결하려면 적합한 아답타가 필요할 수 있습니다.

항상 목재 또는 목재 및 광물 소재에 적합한 이동식 집진기를 사용하도록 하십시오.

절단 부스리기의 진공청소 기능 없이 작업할 경우 절단 부스리기가 사용자 반대쪽으로 배출되도록 돌려서 배출 방향을 선택하십시오.

기본적으로 필터 등급 P2의 방진 마스크를 사용하고, 최대한 먼지가 남아 있지 않도록 충분히 환기를 시킵시오.

6 관리 및 유지보수

6.1 관리 및 유지보수

경고

감전 위험! 전원 플러그가 삽입된 상태에서 관리 및 수리 작업을 진행하면 중상 및 화상을 입을 수 있습니다.

▶ 관리 및 수리 작업을 진행하기 전에 항상 전원 플러그를 분리하십시오!

관리

- 공구에 부착된 오염물질을 조심스럽게 제거하십시오.
- 마른 솔로 환기 흡을 조심스럽게 청소하십시오.
- 하우징은 약간 물을 적신 천으로만 닦으십시오. 플라스틱 부품을 손상시킬 수 있으므로 절대로 실리콘이 함유된 보호제를 사용하지 마십시오.

유지보수

경고

감전으로 인한 위험! 전기 구성부품에서 부적절하게 수리하면 중상을 입거나 화재를 야기할 수 있습니다.

▶ 전기 부품은 반드시 전기 기술자가 수리하도록 해야 합니다.

- 눈에 보이는 모든 부품은 정기적으로 손상 여부를 점검하고 조작 요소가 아무 문제 없이 작동하는지 점검하십시오.
- 손상되었거나 기능 장애가 있는 경우에는 제품을 작동하지 마십시오. 바로 **Hilti** 서비스 센터에서 수리받으십시오.
- 관리 및 수리 작업 후 모든 보호장치를 가져와 기능을 점검하십시오.

안전하게 작동하기 위해서는 순정품 예비 부품 및 소모품만 사용하십시오. 해당 제품에 허용되는 예비 부품, 소모품 및 액세서리는 **Hilti Store** 또는 에서 확인할 수 있습니다. www.hilti.group.

6.2 관리 및 수리작업 후 점검

관리/수리작업 후에 모든 보호기구가 설치되어 있으며 고장 없이 작동하는지 점검해야 합니다.

- ▶ 진동 보호캡을 점검하기 위해서는 작동레버를 조작하여 캡을 완전히 열어야 합니다.
 - ↳ 작동 레버에서 손을 떼 후에는 진동 보호캡이 신속하고 완전하게 닫혀야 합니다.

6.3 절단 부스리기 통로 청소

청소할 때 상황에 따라 톱날을 분리해야 합니다.

1. 전원 플러그를 소켓에서 빼내십시오.
2. 톱날을 탈거하십시오. → 페이지 156
3. 절단 부스리기 통로를 청소하십시오.
4. 톱날을 장착하십시오. → 페이지 156
5. 기동 부위가 고착되지 않고 이상적으로 작동하는지 또는 파손 및 손상된 부품으로 인한 기기의 기능 장애가 없는지 확인하십시오.



6.4 보호장비 청소

1. 톱날을 탈거하십시오. → 페이지 156
2. 마른 솔로 보호장비를 조심스럽게 청소하십시오.
3. 적절한 도구를 가지고 보호장비 내부의 침전물과 부스러기를 제거하십시오.
4. 톱날을 장착하십시오. → 페이지 156

7 고장진단

장애	예상되는 원인	해결책
기기가 전출력으로 작동되지 않음.	연장 케이블이 너무 길 그리고 / 또는 심선 단면적이 너무 작음.	▶ 허용된 길이 그리고 / 또는 단면적 크기가 충분한 연장 케이블을 사용하십시오.
	전원 전압이 너무 낮음.	▶ 기기를 다른 전원에 연결하십시오.
기기가 작동하지 않음.	전력 공급이 중단됨.	▶ 다른 전동 공구를 끼워 기능을 점검하십시오.
	전원 케이블 또는 플러그 결함.	▶ 전원 케이블 또는 전원 플러그를 전기 기술자가 점검하도록 하고, 필요 시 Hilti 서비스 센터를 통해 교환하십시오.
	ON/OFF 스위치 고장.	▶ Hilti 서비스 센터에 제품 수리를 의뢰하십시오.
	카본이 마모됨.	▶ Hilti 서비스 센터에 제품 수리를 의뢰하십시오.
흡입용량 없음 또는 감소함.	칩 통로가 막힘.	▶ 절단 부스러기 통로를 청소하십시오. → 페이지 158
진동 보호캡이 닫히지 않음.	보호장비가 막힘.	▶ 보호장비를 청소하십시오. → 페이지 159
기기가 평소보다 진동이 심함.	톱날이 잘못 설치됨.	▶ 톱날을 분리하여 다시 제대로 장착하십시오.

8 폐기

Hilti 기기는 대부분 재사용이 가능한 소재로 제작되었습니다. 재활용을 위해 개별 부품을 분리하여 주십시오. Hilti는 대부분의 국가에서 재활용을 위해 노후기기를 수거해 갑니다. Hilti 고객 서비스센터 또는 판매 담당자에게 문의하십시오.



- ▶ 전동 공구, 전자식 기기 및 배터리를 일반 가정 쓰레기로 폐기하지 마십시오!

9 RoHS (유해물질 사용 제한 지침)

아래 링크에서 유해물질에 관한 도표를 확인할 수 있습니다. qr.hilti.com/r2937786.
RoHS 도표로 이어지는 링크는 본 문서 끝에 QR 코드 형식으로 제시되어 있습니다.

10 제조회사 보증

- ▶ 보증 조건에 관한 질문사항은 Hilti 파트너 지사에 문의하십시오.







Hilti Corporation
Feldkircherstraße 100
9494 Schaan | Liechtenstein

SC 55W (01)

[2015]

2006/42/EC
2014/30/EU
2011/65/EU

EN 55014-1 :2017
EN 55014-2:2015

EN 62841-1
EN 62841-2-5

EN 61000-3-2:2019
EN 61000-3-11 :2019

Schaan, 17.06.2020

Paolo Luccini

Head of Quality and Process Management
BA Electric Tools & Accessories

Tassilo Deinzer

Executive Vice President
Business Unit Power Tools & Accessories



SC 55W



Hilti Corporation
LI-9494 Schaan
Tel.:+423 234 21 11
Fax:+423 234 29 65
www.hilti.group



2092690