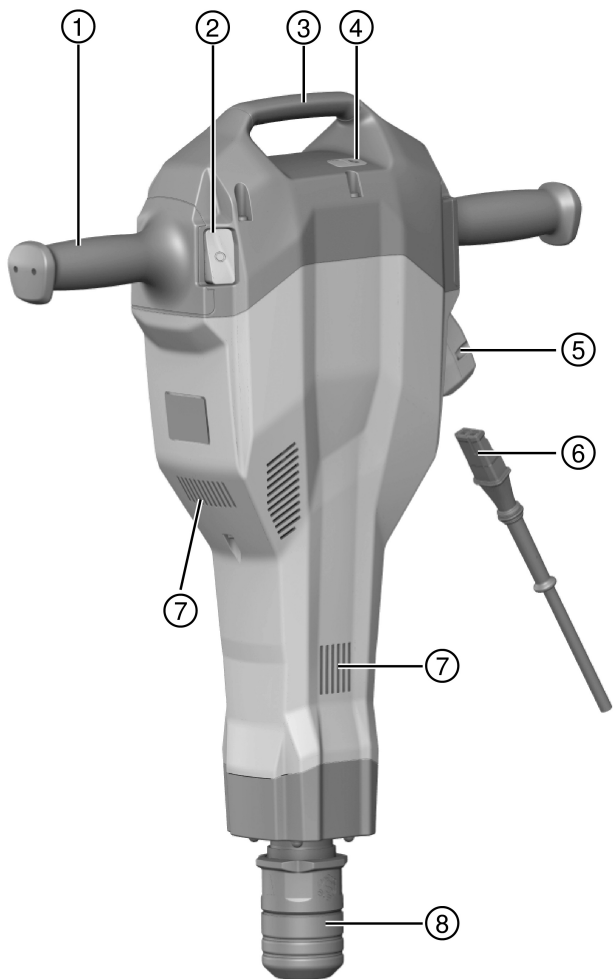
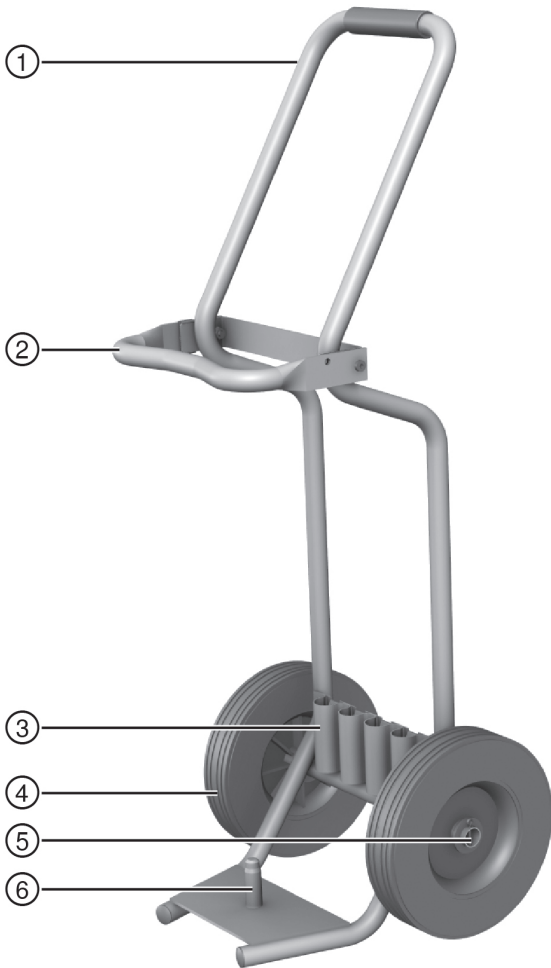




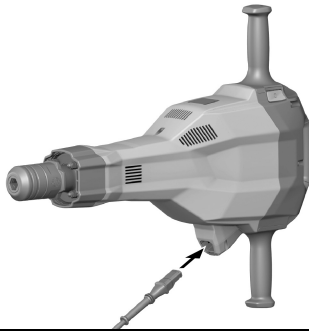
TE 2000-AVR

English	1
Français	10
Dansk	20
Svenska	29
Norsk	38
Suomi	47
Eesti	56
Latviešu	65
Lietuvių	74
Русский	83
Українська	93
Қазақ	103
Türkçe	113
عربي	122
日本語	132
한국어	141
繁體中文	149
中文	157

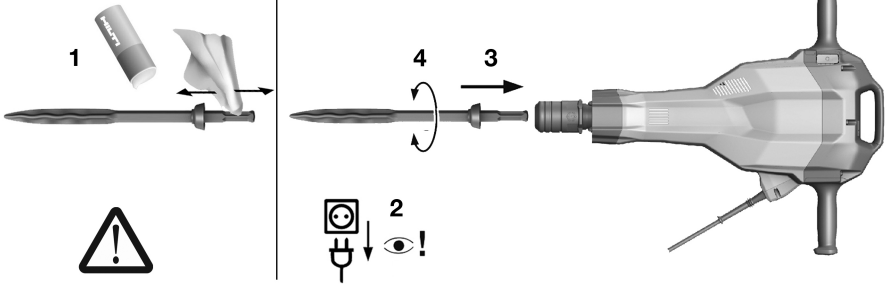




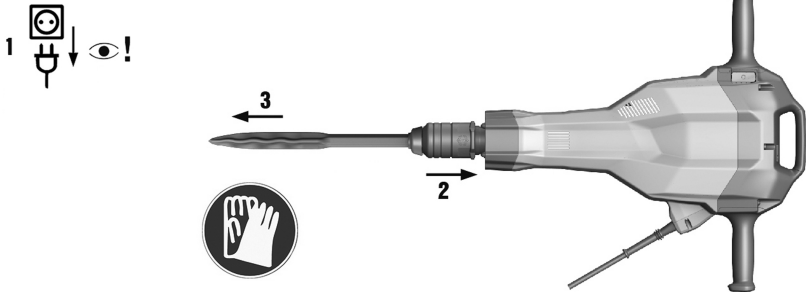
3



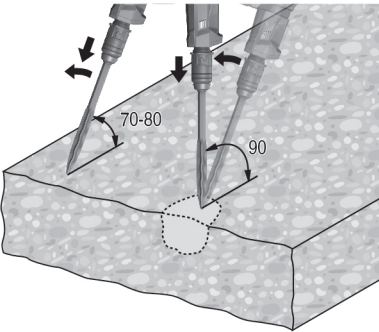
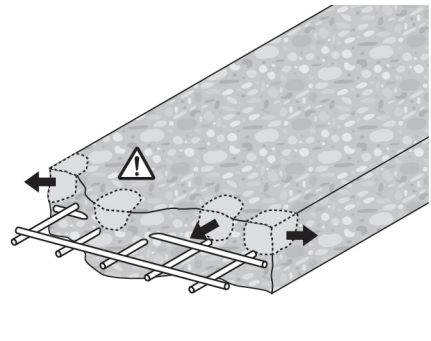
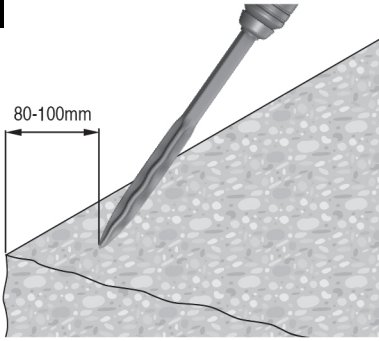
4



5



6



TE 2000-AVR

en	Original operating instructions	1
fr	Mode d'emploi original	10
da	Original brugsanvisning	20
sv	Originalbruksanvisning	29
no	Original bruksanvisning	38
fi	Alkuperäiset ohjeet	47
et	Originaalkasutusjuhend	56
lv	Originālā lietošanas instrukcija	65
lt	Originali naudojimo instrukcija	74
ru	Оригинальное руководство по эксплуатации	83
uk	Оригінальна інструкція з експлуатації	93
kk	Түпнұсқа пайдалану бойынша нұсқаулық	103
tr	Orijinal kullanım kılavuzu	113
ar	دليل الاستعمال الأصلي	122
ja	オリジナル取扱説明書	132
ko	오리지널 사용 설명서	141
zh	原始操作說明	149
cn	原版操作说明	157

1 Information about the documentation

1.1 About this documentation

- Read this documentation before initial operation or use. This is a prerequisite for safe, trouble-free handling and use of the product.
- Observe the safety instructions and warnings in this documentation and on the product.
- Always keep the operating instructions with the product and make sure that the operating instructions are with the product when it is given to other persons.

1.2 Explanation of symbols used

1.2.1 Warnings

Warnings alert persons to hazards that occur when handling or using the product. The following signal words are used:

DANGER

DANGER !

- ▶ Draws attention to imminent danger that will lead to serious personal injury or fatality.

WARNING

WARNING !

- ▶ Draws attention to a potential threat of danger that can lead to serious injury or fatality.





CAUTION

CAUTION !

- ▶ Draws attention to a potentially dangerous situation that could lead to slight personal injury or damage to the equipment or other property.




1.2.2 Symbols in the documentation

The following symbols are used in this document:

	Read the operating instructions before use.
	Instructions for use and other useful information
	Dealing with recyclable materials
	Do not dispose of electric equipment and batteries as household waste

1.2.3 Symbols in the illustrations

The following symbols are used in illustrations:

	These numbers refer to the corresponding illustrations found at the beginning of these operating instructions
3	The numbering reflects the sequence of operations shown in the illustrations and may deviate from the steps described in the text
	Item reference numbers are used in the overview illustrations and refer to the numbers used in the product overview section
	This symbol is intended to draw special attention to certain points when handling the product.

1.3 Product-dependent symbols

1.3.1 Symbols on the product

The following symbols are used on the product:



	Protection class II (double-insulated)
	Service indicator

1.4 Product information

products are designed for professional users and only trained, authorized personnel are permitted to operate, service and maintain the products. This personnel must be specifically informed about the possible hazards. The product and its ancillary equipment can present hazards if used incorrectly by untrained personnel or if used not in accordance with the intended use.

The type designation and serial number are printed on the rating plate.

- ▶ Write down the serial number in the table below. You will be required to state the product details when contacting Hilti Service or your local Hilti organization to inquire about the product.

Product information

Breaker	TE 2000-AVR
Generation	01
Serial no.	

1.5 Declaration of conformity

We declare, on our sole responsibility, that the product described here complies with the applicable directives and standards. A copy of the declaration of conformity can be found at the end of this documentation.

The technical documentation is filed here:

Hilti Entwicklungsgesellschaft mbH | Tool Certification | Hiltistrasse 6 | 86916 Kaufering, Germany

2 Safety

2.1 General power tool safety warnings

WARNING

Read all safety warnings and all instructions. Failure to follow the warnings and instructions may result in electric shock, fire and/or serious injury.

Save all warnings and instructions for future reference.

Work area safety

- ▶ **Keep work area clean and well lit.** Cluttered or dark areas invite accidents.
- ▶ **Do not operate power tools in explosive atmospheres, such as in the presence of flammable liquids, gases or dust.** Power tools create sparks which may ignite the dust or fumes.
- ▶ **Keep children and bystanders away while operating a power tool.** Distractions can cause you to lose control.

Electrical safety

- ▶ **Power tool plugs must match the outlet. Never modify the plug in any way. Do not use any adapter plugs with earthed (grounded) power tools.** Unmodified plugs and matching outlets will reduce risk of electric shock.
- ▶ **Avoid body contact with earthed or grounded surfaces, such as pipes, radiators, ranges and refrigerators.** There is an increased risk of electric shock if your body is earthed or grounded.
- ▶ **Do not expose power tools to rain or wet conditions.** Water entering a power tool will increase the risk of electric shock.
- ▶ **Do not abuse the cord. Never use the cord for carrying, pulling or unplugging the power tool. Keep cord away from heat, oil, sharp edges or moving parts.** Damaged or entangled cords increase the risk of electric shock.
- ▶ **When operating a power tool outdoors, use an extension cord suitable for outdoor use.** Use of a cord suitable for outdoor use reduces the risk of electric shock.
- ▶ **If operating a power tool in a damp location is unavoidable, use a residual current device (RCD) protected supply.** Use of an RCD reduces the risk of electric shock.

Personal safety

- ▶ **Stay alert, watch what you are doing and use common sense when operating a power tool. Do not use a power tool while you are tired or under the influence of drugs, alcohol or medication.** A moment of inattention while operating power tools may result in serious personal injury.



- ▶ **Use personal protective equipment. Always wear eye protection.** Protective equipment such as dust mask, non-skid safety shoes, hard hat, or hearing protection used for appropriate conditions will reduce personal injuries.
- ▶ **Prevent unintentional starting. Ensure the switch is in the off-position before connecting to power source, picking up or carrying the tool.** Carrying power tools with your finger on the switch or energising power tools that have the switch on invites accidents.
- ▶ **Remove any adjusting key or wrench before turning the power tool on.** A wrench or a key left attached to a rotating part of the power tool may result in personal injury.
- ▶ **Do not overreach. Keep proper footing and balance at all times.** This enables better control of the power tool in unexpected situations.
- ▶ **Dress properly. Do not wear loose clothing or jewellery. Keep your hair, clothing and gloves away from moving parts.** Loose clothes, jewellery or long hair can be caught in moving parts.
- ▶ **If devices are provided for the connection of dust extraction and collection facilities, ensure these are connected and properly used.** Use of dust collection can reduce dust-related hazards.

Power tool use and care

- ▶ **Do not force the power tool. Use the correct power tool for your application.** The correct power tool will do the job better and safer at the rate for which it was designed.
- ▶ **Do not use the power tool if the switch does not turn it on and off.** Any power tool that cannot be controlled with the switch is dangerous and must be repaired.
- ▶ **Disconnect the plug from the power source from the power tool before making any adjustments, changing accessories, or storing power tools.** Such preventive safety measures reduce the risk of starting the power tool accidentally.
- ▶ **Store idle power tools out of the reach of children and do not allow persons unfamiliar with the power tool or these instructions to operate the power tool.** Power tools are dangerous in the hands of untrained users.
- ▶ **Maintain power tools. Check for misalignment or binding of moving parts, breakage of parts and any other condition that may affect the power tool's operation. If damaged, have the power tool repaired before use.** Many accidents are caused by poorly maintained power tools.
- ▶ **Keep cutting tools sharp and clean.** Properly maintained cutting tools with sharp cutting edges are less likely to bind and are easier to control.
- ▶ **Use the power tool, accessories and tool bits etc. in accordance with these instructions, taking into account the working conditions and the work to be performed.** Use of the power tool for operations different from those intended could result in a hazardous situation.

Service

- ▶ **Have your power tool serviced by a qualified repair person using only identical replacement parts.** This will ensure that the safety of the power tool is maintained.

2.2 Hammer safety warnings

- ▶ **Wear ear protectors.** Exposure to noise can cause hearing loss.
- ▶ **Use auxiliary handles, if supplied with the tool.** Loss of control can cause personal injury.
- ▶ **Hold power tool by insulated gripping surfaces, when performing an operation where the cutting accessory may contact hidden wiring or its own cord.** Cutting accessory contacting a "live" wire may make exposed metal parts of the power tool "live" and could give the operator an electric shock.

2.3 Additional safety instructions for breakers

Personal safety

- ▶ Use the product only when it is in technically faultless condition.
- ▶ Never tamper with or modify the tool in any way.
- ▶ When chiseling into ceilings, walls and floors, always make sure that you have a safe and firm stance. A sudden break-through can affect your balance!
- ▶ Apply appropriate safety measures at the opposite side of the workpiece in work that involves breaking through. Parts breaking away could fall out and / or fall down causing injury to other persons.
- ▶ You and any other persons in the vicinity must wear suitable eye protection, a hard hat, ear protection, protective gloves and respiratory protection while the tool is in use.
- ▶ Wear protective gloves also when changing the accessory tool. Touching the accessory tool can result in cuts and burns.
- ▶ Wear eye protection. Flying fragments can injure the body and eyes.



- ▶ Before starting work, check the hazard class of the dust that will be produced when working. Use an industrial vacuum cleaner with an officially approved protection class in compliance with the locally applicable dust protection regulations. Dust from materials such as lead-based paint, certain types of wood and concrete/masonry/stone containing quartz, minerals or metal can be harmful to health.
- ▶ Make sure that the workplace is well ventilated and, where necessary, wear a respirator appropriate for the type of dust generated. Contact with or inhalation of the dust may cause allergic reactions and/or respiratory or other diseases among operators or bystanders. Certain kinds of dust are classified as carcinogenic such as oak and beech dust, especially in conjunction with additives for wood conditioning (chromate, wood preservative). Material containing asbestos may be handled only by specialists.
- ▶ Take breaks and do physical exercises to improve the blood circulation in your fingers. Exposure to vibration during long periods of work can lead to disorders of the blood vessels and nervous system in the fingers, hands and wrists.

Electrical safety

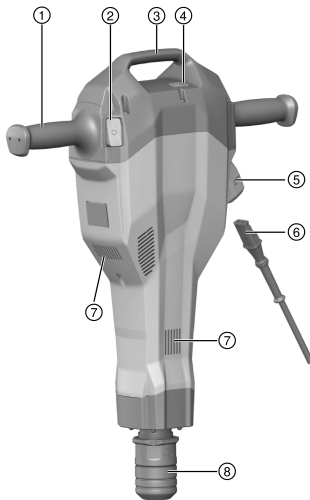
- ▶ Before beginning work, check the working area for concealed electric cables or gas and water pipes. External metal parts of the power tool can become live, presenting a risk of electric shock, if you accidentally damage an electric cable.

Careful handling and use of electric tools

- ▶ Wait until the power tool stops completely before you lay it down.

3 Description

3.1 Overview of the TE 2000-AVR



- ① Grip
- ② On/off switch
- ③ Carrying handle
- ④ Service indicator
- ⑤ Supply cord plug
- ⑥ Detachable supply cord
- ⑦ Air vents
- ⑧ Chuck

3.2 Overview of the transport trolley

- | | |
|--|--|
| ① Grip | ④ Wheels |
| ② Locking bar | ⑤ Wheel securing parts (washer, retaining pin) |
| ③ Holder for accessory tools (chisels) | ⑥ Power tool locating pin |



3.3 Intended use

The product described is a hand-held electric breaker. It is designed for chiseling work on concrete, masonry and asphalt. It can also be used for excavating and compacting.

The tool may be operated only when connected to a power supply providing a voltage and frequency in compliance with the information given on its rating plate.

3.4 Foreseeable misuse

- The power tool may be used only in a dry environment.
- Do not use the power tool where there is a risk of fire and explosion.
- Working with materials hazardous to health (e.g. asbestos) is not permissible.

3.5 Active Vibration Reduction

The tool is equipped with an Active Vibration Reduction (AVR) system which reduces vibration noticeably.

3.6 Service indicator

The breaker is equipped with a service indicator LED.

Status	Meaning
The service indicator lights red.	End of service interval – servicing is due. Return the product to Hilti Service for servicing in good time in order to ensure that it is always ready for use. A fault has occurred in the power tool.
The service indicator flashes red.	Protection against overheating The voltage provided by the electric supply is too high.

3.7 Items supplied

Electric breaker, detachable supply cord, operating instructions, grease. The transport trolley is available as an accessory.

You can find other system products approved for your product at your local **Hilti Center** or online at: www.hilti.group

4 Technical data

4.1 Breaker



For details of the rated voltage, current, frequency and/or input power, please refer to the power tool's country-specific type identification plate.

When powered by a generator or transformer, the generator or transformer's power output must be at least twice the rated input power shown on the rating plate of the power tool. The operating voltage of the transformer or generator must always be within +5% and -15% of the rated voltage of the power tool.

	TE 2000-AVR
Weight in accordance with EPTA procedure 01	14.5 kg
Impact speed	30 Hz
Protection class	II

4.2 Noise information and vibration values in accordance with EN 60745

The sound pressure and vibration values given in these instructions were measured in accordance with a standardized test and can be used to compare one power tool with another. They can also be used for a preliminary assessment of exposure. The data given represents the main applications of the power tool. However, if the power tool is used for different applications, with different accessory tools, or is poorly maintained, the data can vary. This can significantly increase exposure over the total working period. An



accurate estimation of exposure should also take into account the times when the tool is switched off, or when it is running but not actually being used for a job. This can significantly reduce exposure over the total working period. Identify additional safety measures to protect the operator from the effects of noise and/or vibration, for example: Maintaining the power tool and accessory tools, keeping the hands warm, organization of work patterns.

Noise emission values

Measured sound power level (L_{WA})	97 dB(A)
Guaranteed sound power level ($L_{WA,G}$)	100 dB(A)
Uncertainty for the sound power level (K_{WA})	3 dB(A)
Emission sound pressure level (L_{pA})	77 dB(A)
Uncertainty for the sound pressure level (K_{pA})	3 dB(A)

Vibration values

Chiseling ($a_{h, Chisq}$)	4.8 m/s ²
Uncertainty (K)	1.5 m/s ²

5 Operation

5.1 Preparations at the workplace

CAUTION

Risk of injury! Inadvertent starting of the product.

- ▶ Unplug the supply cord before making adjustments to the power tool or before changing accessories.

Observe the safety instructions and warnings in this documentation and on the product.

5.1.1 Connecting the supply cord to the power tool

The releasable plug connector may be connected to the product only when it is clean and dry and when under no voltage (i.e. disconnected from the electric supply). The plug connector has a keyed fit.

1. Remove the supply cord from the cardboard box.
2. Plug the connector into the tool, pushing it in until it is heard to engage.
3. Plug the supply cord into the power outlet.

5.1.2 Fitting the accessory tool

1. Unplug the supply cord from the power outlet.
2. Lightly grease the connection end of the accessory tool.
 - ↳ Use only the recommended grease supplied by **Hilti**. Using the wrong grease can result in damage to the tool.
3. Push the accessory tool into the chuck as far as it will go, turning it and applying light pressure until it engages with an audible click.
4. Check that the chisel has engaged correctly by gripping and pulling it.

5.1.3 Removing the accessory tool

CAUTION

Risk of injury! The accessory tool may be hot and/or have sharp edges.

- ▶ Wear protective gloves when changing the accessory tool.
- ▶ Never lay down a hot accessory tool on a flammable surface.

1. Unplug the supply cord from the power outlet.
2. Pull the accessory tool retaining bar back as far as it will go.
3. Remove the accessory tool.



5.2 Types of work

WARNING

Risk of electric shock! Severe injury and burns can result if any attempt is made to operate the tool without an earth/ground conductor and ground fault circuit interrupter correctly connected.

- ▶ Irrespective of whether mains power or generator power is used, always make sure that an earth/ground conductor and ground fault circuit interrupter are present in the power supply and that these are correctly connected.
- ▶ Do not use the product unless these safety measures are in place and fully operational.

WARNING

A damaged supply cord presents a hazard! Do not touch the supply cord or extension cord if damaged while working. Disconnect the supply cord plug from the power outlet.

- ▶ Check the appliance's supply cord at regular intervals and have it replaced by a qualified specialist if found to be damaged.

Full approval must be obtained from the site engineer or architect prior to beginning the work.

5.2.1 Chiseling

1. Plug the supply cord into the power outlet.
2. Position the tip of the chisel at the desired location.
3. Press the on/off switch.



Working at low temperatures:

The hammering mechanism works only when the power tool has reached a minimum operating temperature. Bring the chisel into contact with the workpiece and allow the power tool to run under no load until the required temperature is reached. If necessary, repeat this procedure until the hammering mechanism begins to operate.

5.2.2 Switching off

1. Press the on/off switch.
2. Unplug the supply cord from the power outlet.

5.2.3 Working with the power tool



The chisel can be adjusted to 6 different positions (in 60° increments). This ensures that flat chisels and shaped chisels can always be set to the optimum working position.

- ▶ Bring the chisel into contact with the workpiece about 80 - 100 mm (3 1/8" - 4") from its edge.
- ▶ When working close to reinforcing bars, always guide the tip of the chisel toward the edge of the workpiece, not toward a reinforcing bar.
- ▶ Begin with the chisel positioned at an angle of 70° to 80° to the concrete surface, with the tip of the chisel pointing toward the edge of the workpiece. Break material away by subsequently increasing the angle to approx. 90° as the chisel penetrates.
- ▶ Rotate the chisel regularly to help ensure even wear and to promote the self-sharpening process.
- ▶ If inadequate pressure is applied, the chisel will jump around uncontrollably. Application of excessive pressure will result in a loss of chiseling performance.

6 Optional transport trolley

6.1 Transport

The transport trolley helps to ensure that the breaker can be transported safely.

- Take care to ensure that the transport trolley stands in a steady, secure position.
- Place the power tool on the locating pin provided on the transport trolley and always secure it for transport by closing the retaining bar.
- Push the chisels into the holders provided until they engage securely.
- Take care to use only safe transport routes.



- Do not park the transport trolley on an incline.

7 Care and maintenance

WARNING

Electric shock hazard! Attempting care and maintenance with the supply cord connected to a power outlet can lead to severe injury and burns.

- ▶ Always unplug the supply cord before carrying out care and maintenance tasks.

Care

- Carefully remove any dirt that may be adhering to parts.
- Clean the air vents carefully with a dry brush.
- Use only a slightly damp cloth to clean the casing. Do not use cleaning agents containing silicone as these may attack the plastic parts.

Maintenance

WARNING

Danger of electric shock! Improper repairs to electrical components may lead to serious injuries including burns.

- ▶ Repairs to the electrical section of the tool or appliance may be carried out only by trained electrical specialists.
- Check all visible parts and controls for signs of damage at regular intervals and make sure that they all function correctly.
- Do not operate the product if signs of damage are found or if parts malfunction. Have it repaired immediately by **Hilti Service**.
- After cleaning and maintenance, fit all guards or protective devices and check that they function correctly.



To help ensure safe and reliable operation, use only genuine Hilti spare parts and consumables. Spare parts, consumables and accessories approved by Hilti for use with the product can be found at your local **Hilti Store** or online at: www.hilti.group.

8 Troubleshooting

If the trouble you are experiencing is not listed in this table or you are unable to remedy the problem by yourself, please contact **Hilti Service**.

8.1 Troubleshooting table

Trouble or fault	Possible cause	Action to be taken
The power tool doesn't start.	Electronics initialization in progress (takes up to 4 seconds after plugging in).	▶ Switch the power tool off and on again.
	Interruption in the electric supply.	▶ Plug in another electric appliance and check whether it works.
	The supply cord or plug is defective.	▶ Have the parts checked by a trained electrical specialist and replaced if necessary.
	Generator with sleep mode	▶ Apply a load to the generator by connecting a second power consumer (e.g. worklight). Then switch the power tool on and off again.
No hammering action.	The power tool is too cold.	▶ Allow the power tool to warm up to the minimum operating temperature.
	A fault has occurred in the power tool.	▶ Have the power tool repaired by Hilti Service .



Trouble or fault	Possible cause	Action to be taken
The power tool doesn't start or cuts out while in operation and the indicator flashes red.	Temporary fault (e.g. overheating or overvoltage).	▶ Switch off, allow the power tool to cool down or connect it to a different electric supply.
The power tool runs but the indicator lights red continuously.	Advance warning of need for servicing.	▶ Have the power tool serviced or repaired by Hilti Service .
The power tool doesn't start or cuts out while in operation.	The extension cord is too long and/or its gauge is inadequate.	▶ Use an extension cord of an approved length and/or of adequate gauge.
	The detachable supply cord is not fitted correctly.	▶ Fit the detachable supply cord to the power tool correctly.

9 Disposal

Most of the materials from which **Hilti** tools and appliances are manufactured can be recycled. The materials must be correctly separated before they can be recycled. In many countries, your old tools, machines or appliances can be returned to **Hilti** for recycling. Ask **Hilti Service** or your Hilti representative for further information.



- ▶ Do not dispose of power tools, electronic equipment or batteries as household waste!

10 RoHS (Restriction of Hazardous Substances)

Click on the link to go to the table of hazardous substances: qr.hilti.com/r6025050. There is a link to the RoHS table, in the form of a QR code, at the end of this document.

11 Manufacturer's warranty

- ▶ Please contact your local **Hilti** representative if you have questions about the warranty conditions.



1 Indications relatives à la documentation

1.1 À propos de cette documentation

- Lire intégralement la présente documentation avant la mise en service. C'est la condition préalablement requise pour assurer la sécurité du travail et un maniement sans perturbations.
- Bien respecter les consignes de sécurité et les avertissements de la présente documentation ainsi que celles figurant sur le produit.
- Toujours conserver le mode d'emploi à proximité du produit et uniquement le transmettre à des tiers avec ce mode d'emploi.

1.2 Explication des symboles

1.2.1 Avertissements

Les avertissements attirent l'attention sur des dangers liés à l'utilisation du produit. Les termes de signalisation suivants sont utilisés :



DANGER !

- ▶ Pour un danger imminent qui peut entraîner de graves blessures corporelles ou la mort.



AVERTISSEMENT !

- ▶ Pour un danger potentiel qui peut entraîner de graves blessures corporelles ou la mort.



ATTENTION !

- ▶ Pour attirer l'attention sur une situation pouvant présenter des dangers entraînant des blessures corporelles légères ou des dégâts matériels.

1.2.2 Symboles dans la documentation

Les symboles suivants sont utilisés dans la présente documentation :

	Lire le mode d'emploi avant d'utiliser l'appareil
	Pour des conseils d'utilisation et autres informations utiles
	Maniement des matériaux recyclables
	Ne pas jeter les appareils électriques et les accus dans les ordures ménagères

1.2.3 Symboles dans les illustrations

Les symboles suivants sont utilisés dans les illustrations :

2	Ces chiffres renvoient à l'illustration correspondante au début du présent mode d'emploi
3	La numérotation détermine la séquence des étapes de travail dans l'image et peut se différencier de celles des étapes de travail dans le texte
⑪	Les numéros de position sont utilisés dans l'illustration Vue d'ensemble et renvoient aux numéros des légendes dans la section Vue d'ensemble du produit
	Ce signe doit inviter à manier le produit en faisant particulièrement attention.

1.3 Symboles spécifiques au produit

1.3.1 Symboles sur le produit

Les symboles suivants sont utilisés sur le produit :



	Classe de protection II (double isolation)
	Indicateur de maintenance

1.4 Informations produit

Les produits sont destinés aux professionnels et ne doivent être utilisés, entretenus et réparés que par un personnel autorisé et formé. Ce personnel doit être spécialement instruit quant aux dangers inhérents à l'utilisation de l'appareil. Le produit et ses accessoires peuvent s'avérer dangereux s'ils sont utilisés de manière incorrecte par un personnel non qualifié ou de manière non conforme à l'usage prévu.

La désignation du modèle et le numéro de série figurent sur sa plaque signalétique.

- ▶ Inscrivez le numéro de série dans le tableau suivant. Les informations produit vous seront demandées lorsque vous contactez nos revendeurs ou services après-vente.

Caractéristiques produit

Burineur	TE 2000-AVR
Génération	01
N° de série	

1.5 Déclaration de conformité

Nous déclarons sous notre seule et unique responsabilité que le produit décrit ici est conforme aux directives et normes en vigueur. Une copie de la Déclaration de conformité se trouve en fin de la présente documentation.

Pour obtenir les documentations techniques, s'adresser à :

Hilti Entwicklungsgesellschaft mbH | Zulassung Geräte | Hiltistraße 6 | 86916 Kaufering, DE

2 Sécurité

2.1 Indications générales de sécurité pour les appareils électriques

⚠ AVERTISSEMENT Lire et comprendre toutes les consignes de sécurité et instructions. Tout manquement à l'observation des consignes de sécurité et instructions risque de provoquer une électrocution, un incendie et/ou de graves blessures.

Les consignes de sécurité et instructions doivent être intégralement conservées pour les utilisations futures.

Sécurité sur le lieu de travail

- ▶ **Conserver la zone de travail propre et bien éclairée.** Un lieu de travail en désordre ou mal éclairé augmente le risque d'accidents.
- ▶ **Ne pas faire fonctionner les outils électriques en atmosphère explosive et où se trouvent des liquides, des gaz ou poussières inflammables.** Les outils électriques produisent des étincelles qui peuvent enflammer les poussières ou les fumées.
- ▶ **Tenir les enfants et autres personnes à l'écart pendant l'utilisation de l'outil électrique.** Si l'appareil dévie, il y a risque de perte de contrôle de l'appareil.

Sécurité relative au système électrique

- ▶ **La fiche de secteur de l'outil électroportatif doit être adaptée à la prise de courant. Ne jamais modifier la fiche de quelque façon que ce soit. Ne pas utiliser d'adaptateurs avec des outils électriques à branchement de terre.** Des fiches non modifiées et des prises de courant adaptées réduiront le risque de choc électrique.
- ▶ **Éviter le contact physique avec des surfaces mises à la terre tels que tuyaux, radiateurs, cuisinières et réfrigérateurs.** Il y a un risque élevé de choc électrique au cas où votre corps serait relié à la terre.
- ▶ **Ne pas exposer les outils électroportatifs à la pluie ou à l'humidité.** La pénétration d'eau à l'intérieur d'un outil électroportatif augmentera le risque d'un choc électrique.
- ▶ **Ne jamais utiliser le cordon à d'autres fins que celles prévues, telles que pour porter, accrocher ou débrancher l'outil électroportatif de la prise de courant. Maintenir le cordon à l'écart de la chaleur, des parties grasses, des bords tranchants ou des parties de l'appareil en mouvement.** Des cordons endommagés ou emmêlés augmentent le risque de choc électrique.
- ▶ **Si l'outil électroportatif est utilisé à l'extérieur, utiliser uniquement une rallonge homologuée pour les applications extérieures.** L'utilisation d'une rallonge électrique homologuée pour les applications extérieures diminue le risque d'un choc électrique.



- ▶ **Si l'utilisation de l'outil électrique dans un environnement humide ne peut pas être évitée, utiliser un interrupteur de protection contre les courants de court-circuit.** L'utilisation d'un tel interrupteur de protection réduit le risque d'une décharge électrique.

Sécurité des personnes

- ▶ **Rester vigilant, surveiller ce que l'on fait. Faire preuve de bon sens en utilisant l'outil électroportatif. Ne pas utiliser l'outil électroportatif en étant fatigué ou sous l'emprise de l'alcool, de drogues ou de médicaments.** Un moment d'inattention lors de l'utilisation de l'outil électroportatif peut entraîner des blessures graves.
- ▶ **Utiliser un équipement de protection individuelle et toujours porter une protection pour les yeux.** Les équipements de protection individuelle tels que masque antipoussière, chaussures de sécurité antidérapantes, casque de protection ou protection acoustique suivant l'utilisation de l'outil électroportatif, réduiront le risque de blessures des personnes.
- ▶ **Éviter une mise en service par mégarde. S'assurer que l'outil électrique est arrêté avant de le brancher à l'alimentation électrique, de le prendre ou de le porter.** Le fait de porter l'outil électroportatif avec le doigt sur l'interrupteur ou de brancher l'appareil sur la source de courant lorsque l'interrupteur est en position de fonctionnement peut entraîner des accidents.
- ▶ **Retirer tout outil de réglage ou toute clé avant de mettre l'outil électroportatif en fonctionnement.** Une clé ou un outil se trouvant sur une partie en rotation peut causer des blessures.
- ▶ **Adopter une bonne posture. Veiller à toujours garder une position stable et équilibrée.** Cela permet un meilleur contrôle de l'outil électroportatif dans des situations inattendues.
- ▶ **S'habiller de manière adaptée. Ne pas porter de vêtements amples ni de bijoux. Garder les cheveux, les vêtements et les gants à distance des parties en mouvement.** Des vêtements amples, des bijoux ou des cheveux longs peuvent être happés par des parties en mouvement.
- ▶ **Si des dispositifs servant à aspirer ou à recueillir les poussières doivent être utilisés, s'assurer qu'ils sont effectivement raccordés et correctement utilisés.** L'utilisation d'un dispositif d'aspiration de la poussière peut réduire les risques dus aux poussières.

Utilisation et manieiment de l'outil électroportatif

- ▶ **Ne pas forcer l'appareil. Utiliser l'outil électroportatif adapté au travail à effectuer.** Un outil électroportatif approprié réalisera mieux le travail et de manière plus sûre au régime pour lequel il a été conçu.
- ▶ **Ne pas utiliser d'outil électroportatif dont l'interrupteur est défectueux.** Tout outil électroportatif qui ne peut plus être mis en ou hors fonctionnement est dangereux et doit être réparé.
- ▶ **Retirez la fiche de la prise de courant avant d'effectuer des réglages sur l'appareil, de changer les accessoires, ou de ranger l'appareil.** Cette mesure de précaution empêche une mise en fonctionnement par mégarde de l'outil électroportatif.
- ▶ **Conserver les outils électroportatifs non utilisés hors de portée des enfants. Ne pas permettre l'utilisation de l'appareil à des personnes qui ne se sont pas familiarisées avec celui-ci ou qui n'ont pas lu ces instructions.** Les outils électroportatifs sont dangereux lorsqu'ils sont entre les mains de personnes non initiées.
- ▶ **Prendre soin des outils électroportatifs. Vérifier que les parties en mouvement fonctionnent correctement et qu'elles ne sont pas coincées, et contrôler si des parties sont cassées ou endommagées de sorte que le bon fonctionnement de l'outil électroportatif s'en trouve entravé. Faire réparer les parties endommagées avant d'utiliser l'appareil.** De nombreux accidents sont dus à des outils électroportatifs mal entretenus.
- ▶ **Garder les outils de coupe affûtés et propres.** Des outils destinés à couper correctement entretenus avec des pièces coupantes tranchantes sont moins susceptibles de bloquer et sont plus faciles à contrôler.
- ▶ **L'outil électroportatif, les accessoires, les outils amovibles, etc. doivent être utilisés conformément à ces instructions. Tenir également compte des conditions de travail et du travail à réaliser.** L'utilisation des outils électroportatifs à d'autres fins que celles prévues peut entraîner des situations dangereuses.

Service

- ▶ **L'outil électroportatif doit uniquement être réparé par un personnel qualifié, utilisant exclusivement des pièces de rechange d'origine.** Ceci permet d'assurer la sécurité de l'outil électroportatif.

2.2 Indications générales de sécurité applicables aux burineurs

- ▶ **Porter un casque antibruit.** Le bruit peut entraîner des pertes auditives.
- ▶ **Utiliser la poignée supplémentaire livrée avec l'appareil.** La perte de contrôle peut entraîner des blessures.



- ▶ **Tenir l'appareil par les surfaces isolées des poignées lors des travaux pendant lesquels l'accessoire risque de toucher des câbles électriques cachés ou son propre câble d'alimentation réseau.** Le contact avec un câble sous tension risque de mettre les parties métalliques de l'appareil sous tension et de provoquer une décharge électrique.

2.3 Consignes de sécurité supplémentaires spécifiques au burineur

Sécurité des personnes

- ▶ Utiliser le produit uniquement s'il est en parfait état.
- ▶ Ne jamais entreprendre de manipulation ou de modification sur l'appareil.
- ▶ Lors du burinage de plafonds, de murs et de planchers, veiller à conserver une position sûre et stable. Une percée soudaine peut déséquilibrer l'opérateur !
- ▶ Lors de travaux d'ajourage, protéger l'espace du côté opposé aux travaux. Des morceaux de matériaux risquent d'être éjectés et / ou de tomber, et de blesser d'autres personnes.
- ▶ Lors de l'utilisation de l'appareil, l'utilisateur et toute personne se trouvant à proximité doivent porter des lunettes de protection adéquates, un casque de protection, un casque antibruit, des gants de protection et un masque respiratoire léger.
- ▶ Porter aussi des gants de protection pour changer d'outil. Risque de blessures par coupure et de brûlures au contact avec l'outil amovible.
- ▶ Porter des lunettes de protection. Les éclats de matière peuvent entraîner des blessures corporelles et aux yeux.
- ▶ Avant le début du travail, prendre connaissance de la classe de risque de la poussière générée lors des travaux. Utiliser un aspirateur avec une classification de sécurité autorisée officiellement et conforme aux dispositions locales concernant les poussières. Les poussières de matériaux telles que des peintures contenant du plomb, certains types de bois, du béton / de la maçonnerie / des pierres naturelles qui contiennent du quartz ainsi que des minéraux et des métaux peuvent être nuisibles à la santé.
- ▶ Veiller à ce que le poste de travail soit bien ventilé et porter, le cas échéant, un masque de protection respiratoire adapté au type de poussières. Le contact ou l'aspiration de poussière peut provoquer des réactions allergiques et/ou des maladies respiratoires de l'utilisateur ou de toute personne se trouvant à proximité. Certaines poussières, telles que des poussières de chêne ou de hêtre, sont réputées être cancérigènes, en particulier lorsqu'elles sont combinées à des additifs destinés au traitement du bois (chromate, produit de protection du bois). Les matériaux contenant de l'amiante doivent seulement être manipulés par un personnel spécialisé.
- ▶ Faire régulièrement des pauses et des exercices pour favoriser l'irrigation sanguine dans les doigts. En cas de travaux prolongés, les vibrations peuvent perturber la circulation dans les vaisseaux sanguins ou le système nerveux dans les doigts, les mains ou le poignet.

Sécurité relative au système électrique

- ▶ Avant d'entamer le travail, vérifier qu'il n'y a pas de câbles ou gaines électriques, tuyaux de gaz ou d'eau cachés dans la zone d'intervention. Toutes pièces métalliques extérieures de l'appareil sont susceptibles de provoquer une décharge électrique si un câble électrique est endommagé par inadvertance.

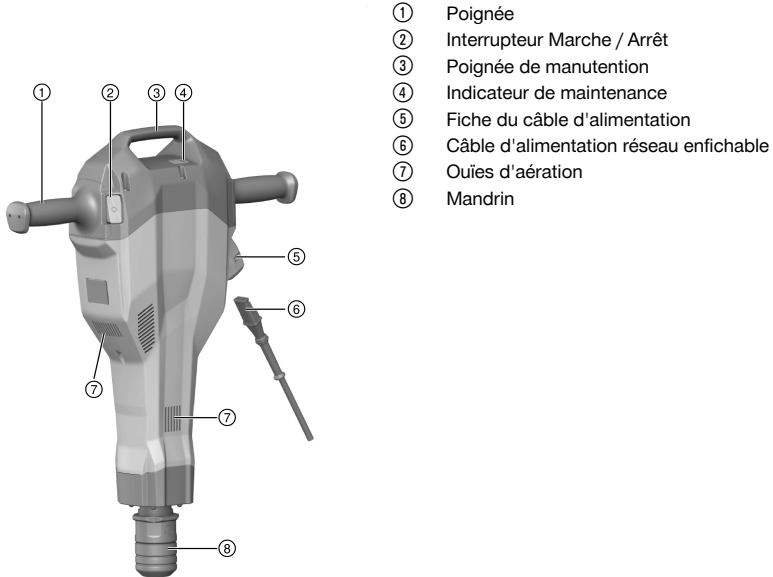
Utilisation et emploi soigneux de l'outil électroportatif

- ▶ Attendre jusqu'à ce que l'outil électroportatif soit arrêté avant de le déposer.



3 Description

3.1 Vue d'ensemble de TE 2000-AVR 1



- ① Poignée
- ② Interrupteur Marche / Arrêt
- ③ Poignée de manutention
- ④ Indicateur de maintenance
- ⑤ Fiche du câble d'alimentation
- ⑥ Câble d'alimentation réseau enfichable
- ⑦ Ouïes d'aération
- ⑧ Mandrin

3.2 Vue d'ensemble – Chariot de transport 2

- ① Poignée
- ② Étrier de retenue
- ③ Support pour consommables (burin)
- ④ Roues
- ⑤ Fixation de sécurité de la roue (rondelle, goupille de retenue)
- ⑥ Mandrin porte-machine

3.3 Utilisation conforme à l'usage prévu

Le produit décrit est un burineur à guidage manuel. Il est destiné aux travaux de burinage dans le béton, la maçonnerie et l'asphalte. Il peut aussi être utilisé pour le pilonnage et le creusement.

L'appareil ne doit fonctionner qu'avec la tension réseau et la fréquence réseau indiquées sur la plaque signalétique.

3.4 Utilisation inappropriée prévisible

- L'appareil doit uniquement être utilisé dans un environnement sec.
- Ne pas utiliser l'appareil dans des endroits présentant un danger d'incendie et d'explosion.
- Ne pas travailler sur des matériaux susceptibles de nuire à la santé (par ex. amiante).

3.5 Active Vibration Reduction

Ce produit est équipé d'un système Active Vibration Reduction (AVR) qui réduit sensiblement les vibrations.

3.6 Indicateur de maintenance

Le burineur est doté d'un indicateur de maintenance avec signal lumineux.



État	Signification
L'indicateur de maintenance s'allume en rouge.	La durée de fonctionnement pour une maintenance est atteinte. Apporter le produit en temps voulu au S.A.V. Hilti afin d'assurer qu'il soit toujours opérationnel. Dommages sur l'appareil.
L'indicateur de maintenance clignote en rouge.	Protection contre les surchauffes La source d'alimentation électrique a une tension trop élevée.

3.7 Éléments livrés

Burineur, câble d'alimentation réseau enfichable, mode d'emploi, graisse. Le chariot de transport est proposé en option.

D'autres produits système autorisés pour votre produit peuvent être obtenus auprès du S.A.V. Hilti ou en ligne sous : www.hilti.group

4 Caractéristiques techniques

4.1 Burineur



Les données de tension nominale, courant nominal, fréquence et / ou consommation nominale figurent sur la plaque signalétique spécifique au pays.

En cas d'utilisation avec un groupe électrogène ou un transformateur, leur puissance d'alimentation doit être au moins égale au double de la puissance indiquée sur la plaque signalétique de l'appareil. La tension de service du groupe électrogène ou du transformateur doit être toujours comprise entre +5 % et -15 % par rapport à la tension nominale de l'appareil.

	TE 2000-AVR
Poids selon la procédure EPTA 01	14,5 kg
Cadence de percussion	30 Hz
Classe de protection	II

4.2 Valeurs d'émissions acoustiques et de vibrations selon EN 60745

Les valeurs de pression acoustique et de vibrations triaxiales mentionnées dans ces instructions ont été mesurées conformément à un procédé de mesure normalisé et peuvent être utilisées comme base de comparaison entre outils électroportatifs. Elles servent également à une évaluation préalable de l'exposition aux bruits et aux vibrations. Les indications fournies correspondent aux principales applications de l'outil électroportatif. Ces données peuvent néanmoins différer si l'outil électroportatif est utilisé pour d'autres applications, avec des outils à monter différents ou que l'entretien s'avère insuffisant. Ceci peut augmenter considérablement les contraintes d'exposition dans tout l'espace de travail. Pour une évaluation précise des expositions, il convient également de prendre en compte les temps durant lesquels l'appareil est arrêté ou marche à vide. Ceci peut réduire considérablement les contraintes d'exposition dans tout l'espace de travail. Par ailleurs, il convient de prendre des mesures de sécurité supplémentaires en vue de protéger l'utilisateur des effets du bruit et/ou des vibrations, telles que : bien entretenir l'outil électroportatif ainsi que les outils à monter, maintenir les mains chaudes, optimiser l'organisation des opérations.

Valeurs d'émissions sonores

Niveau de puissance acoustique mesuré (L_{WA})	97 dB(A)
Niveau de puissance acoustique garanti ($L_{WA,G}$)	100 dB(A)
Incertitude sur le niveau de puissance acoustique (K_{WA})	3 dB(A)
Niveau de pression acoustique d'émission (L_{pA})	77 dB(A)
Incertitude sur le niveau de pression acoustique (K_{pA})	3 dB(A)

Valeurs de vibrations

Burinage ($a_h, Cheq$)	4,8 m/s ²
Incertitude (K)	1,5 m/s ²



5 Utilisation

5.1 Préparatifs

ATTENTION

Risque de blessures ! Mise en marche inopinée du produit.

- ▶ Retirer la fiche de la prise avant d'effectuer des réglages sur l'appareil ou de changer les accessoires.

Bien respecter les consignes de sécurité et les avertissements de la présente documentation ainsi que celles figurant sur le produit.

5.1.1 Raccordement du câble d'alimentation à l'appareil



L'embout de câble à connexion rapide doit uniquement être raccordé à l'appareil s'il est propre, sec et hors tension. La connexion est codée.

1. Sortir le câble d'alimentation du carton de transport.
2. Introduire l'embout de câble dans l'appareil jusqu'à ce que le dispositif de blocage s'encliquette.
3. Brancher la fiche dans la prise.

5.1.2 Mise en place de l'outil amovible

1. Débrancher la fiche de la prise.
2. Graisser légèrement l'emmanchement de l'outil amovible.
 - ▶ Utiliser exclusivement de la graisse **Hilti** d'origine. Une graisse inadéquate peut provoquer des dommages sur l'appareil.
3. Emmancher l'outil amovible à fond dans le porte-outil et le tourner en appuyant légèrement jusqu'à ce qu'il s'encliquette de manière audible.
4. Vérifier que l'outil est bien serré dans le dispositif de verrouillage en tirant dessus.

5.1.3 Retrait de l'outil amovible

ATTENTION

Risque de blessures ! L'outil amovible peut être brûlant et / ou présenter des arêtes vives.

- ▶ Porter des gants de protection pour changer d'outil amovible.
- ▶ Ne jamais déposer un outil amovible chaud sur un support inflammable.

1. Débrancher la fiche de la prise.
2. Retirer le dispositif de verrouillage de l'outil jusqu'à la butée.
3. Retirer l'outil amovible.

5.2 Travail

AVERTISSEMENT

Risque d'électrocution ! L'absence de fil de terre et disjoncteur différentiel peut entraîner de graves blessures ou brûlures.

- ▶ Toujours vérifier sur le chantier que le câble d'alimentation électrique, provenant du secteur ou d'un générateur, est bien muni d'un fil de terre et d'un disjoncteur différentiel, et qu'il est effectivement bien raccordé.
- ▶ Ne pas utiliser ce produit si ces mesures de sécurité n'ont pas été prises.

AVERTISSEMENT

Danger engendré par un câble endommagé ! Si le câble d'alimentation réseau ou de rallonge est endommagé pendant le travail, ne pas le toucher. Débrancher la prise.

- ▶ Contrôler régulièrement les câbles de raccordement de l'appareil et les faire remplacer par un spécialiste s'ils sont endommagés.

Faire confirmer l'ensemble des travaux par le maître d'œuvre !



5.2.1 Burinage

1. Brancher la fiche dans la prise.
2. Mettre le burin dans la position souhaitée.
3. Appuyer sur l'interrupteur Marche / Arrêt.



Travaux à basses températures :

L'appareil nécessite une température de service minimale pour que le mécanisme de frappe fonctionne. Pour ce faire, poser un instant l'appareil sur le matériau support et le laisser tourner à vide. Répéter cette étape, si nécessaire, jusqu'à ce que le mécanisme de frappe fonctionne.

5.2.2 Arrêt

1. Appuyer sur l'interrupteur Marche / Arrêt.
2. Débrancher la fiche de la prise.

5.2.3 Procédure de travail



Le burin peut être bloqué dans 6 positions différentes (tous les 60°). Ainsi, que ce soit pour le burinage plat ou profilé, il est toujours possible de travailler dans la position optimale.

- ▶ Poser le burin à environ 80 à 100 mm (3 1/8" - 4") du bord.
- ▶ En cas d'armatures métalliques, toujours guider le burin vers le bord du matériel, jamais contre les armatures métalliques.
- ▶ Débuter l'opération de burinage avec un angle de 70° à 80° par rapport à la surface du béton et orienter la pointe vers le bord. Redresser à 90° et enlever le matériau.
- ▶ Tourner le burin de manière régulière car une usure uniforme favorise le processus d'auto-affûtage.
- ▶ Si la pression d'appui est insuffisante, le burin risque de sortir de sa position. Si la pression d'appui est trop élevée, il y a diminution de la puissance de burinage.

6 Option Chariot de transport

6.1 Transport

Le chariot de transport permet de transporter sans danger le burineur.

- Veiller à la stabilité du chariot de transport.
- Poser l'appareil sur le mandrin porte-machine prévu à cet effet et veiller à ce qu'il soit toujours bloqué à l'aide de l'étrier de retenue pendant le transport.
- Introduire le burin dans le support prévu à cet effet jusqu'à la position d'encliquetage.
- Choisir un trajet de transport sûr.
- Ne pas disposer le chariot de transport sur une surface inclinée.

7 Nettoyage et entretien



AVERTISSEMENT

Danger d'électrocution ! Les travaux de nettoyage et d'entretien effectués avec fiche branchée à la prise peuvent entraîner de graves blessures ou brûlures.

- ▶ Toujours retirer la fiche de la prise avant tous travaux de nettoyage et d'entretien !

Nettoyage

- Éliminer prudemment les saletés récalcitrantes.
- Nettoyer les ouïes d'aération avec précaution au moyen d'une brosse sèche.
- Nettoyer le boîtier uniquement avec un chiffon légèrement humidifié. Ne pas utiliser de nettoyants à base de silicone, ceci pourrait attaquer les pièces en plastique.

Entretien



AVERTISSEMENT

Risque d'électrocution ! Des réparations inappropriées sur des composants électriques peuvent entraîner de graves blessures corporelles et brûlures.

- ▶ Toute réparation des pièces électriques ne doit être effectuée que par un électricien qualifié.



- Vérifier régulièrement qu'aucune pièce visible n'est endommagée et que les organes de commande sont parfaitement opérationnels.
- En cas d'endommagements et/ou de dysfonctionnements, ne pas utiliser le produit. Le faire immédiatement réparer par le S.A.V. **Hilti**.
- Après des travaux de nettoyage et d'entretien, vérifier si tous les équipements de protection sont bien en place et fonctionnent parfaitement.



Pour une utilisation en toute sécurité, utiliser uniquement des pièces de rechange et consommables d'origine. Vous trouverez les pièces de rechange, consommables et accessoires autorisés convenant pour votre produit dans le centre **Hilti Store** ou sous : www.hilti.group.

8 Aide au dépannage

En cas de défaillances non énumérées dans ce tableau ou auxquelles il n'est pas possible de remédier sans aide, contacter le S.A.V. **Hilti**.

8.1 Tableau des défaillances

Défaillance	Causes possibles	Solution
L'appareil ne se met pas en marche	Initialisation de l'électronique en cours (attendre jusqu'à 4 secondes environ après le branchement de la fiche dans la prise)	▶ Arrêter et remettre l'appareil en marche.
	Alimentation par secteur interrompue	▶ Brancher un autre appareil électrique, contrôler la fonction.
	Câble d'alimentation réseau ou fiche défectueux	▶ Faire vérifier par un électricien et, si nécessaire, remplacer.
	Générateur en mode Veille	▶ Charger le générateur avec un second consommateur (p. ex. lampe de chantier). Ensuite, remettre l'appareil à l'arrêt et le remettre en marche.
Absence de percussion	Appareil trop froid	▶ L'appareil doit atteindre la température de service minimale.
	Appareil endommagé	▶ Faire réparer l'appareil par le S.A.V. Hilti .
L'appareil ne se met pas en marche ou s'arrête en cours de fonctionnement et l'indicateur clignote en rouge	Défaillance temporaire (par ex. surchauffe ou tension excessive)	▶ Arrêter l'appareil, le laisser refroidir et le brancher à une autre prise d'alimentation électrique.
L'appareil fonctionne mais l'indicateur est allumé en rouge en continu	Avertissement préalable d'entretien	▶ Confier les travaux d'entretien ou de réparation au S.A.V. Hilti .
L'appareil ne se met pas en marche ou s'arrête en cours de fonctionnement	Câble de rallonge trop long ou de section insuffisante	▶ Utiliser un câble de rallonge de longueur admissible et / ou de section suffisante.
	Câble d'alimentation pas correctement enfiché dans l'appareil.	▶ Brancher le câble d'alimentation enfichable correctement sur l'appareil électrique.

9 Recyclage

Les appareils **Hilti** sont fabriqués pour une grande partie en matériaux recyclables. Le recyclage présuppose un tri adéquat des matériaux. **Hilti** reprend les appareils usagés dans de nombreux pays en vue de leur recyclage. Consulter le service clients **Hilti** ou un conseiller commercial.



- ▶ Ne pas jeter les appareils électriques, électroniques et accus dans les ordures ménagères !



10 RoHS (directive relative à la limitation d'utilisation des substances dangereuses)

Le tableau des substances dangereuses est accessible au moyen du lien suivant : qr.hilti.com/r6025050.
Vous trouverez à la fin de cette documentation, sous forme de code QR, un lien menant au tableau RoHS.

11 Garantie constructeur

- ▶ En cas de questions sur les conditions de garantie, veuillez vous adresser à votre partenaire **Hilti** local.



1 Oplysninger vedrørende dokumentationen

1.1 Vedrørende denne dokumentation

- Læs denne dokumentation igennem før brugtagning. Det er en forudsætning for sikkert arbejde og korrekt håndtering.
- Følg sikkerheds- og advarselshenvisningerne i denne dokumentation og på produktet.
- Opbevar altid brugsanvisningen sammen med produktet, og overdrag det kun til andre personer sammen med denne anvisning.

1.2 Tegnforklaring

1.2.1 Advarsler

Advarsler advarer mod farer ved håndtering af produktet. Følgende signalford anvendes:



FARE

FARE !

- ▶ Betegner en umiddelbart truende fare, der kan medføre alvorlige kvæstelser eller døden.



ADVARSEL

ADVARSEL !

- ▶ Står ved en potentielt truende fare, der kan medføre alvorlige kvæstelser eller døden.



FORSIGTIG

FORSIGTIG !

- ▶ Betegner en potentielt farlig situation, der kan forårsage lettere personskader eller materielle skader.

1.2.2 Symboler i denne dokumentation

Følgende symboler anvendes i denne dokumentation:

	Læs brugsanvisningen før brug
	Anvisninger for anvendelse og andre nyttige oplysninger
	Håndtering af genvindbare materialer
	Elektriske maskiner og batterier må ikke bortskaffes som almindeligt husholdningsaffald

1.2.3 Symboler i illustrationer

Følgende symboler anvendes på illustrationer:

	Disse tal henviser til de forskellige illustrationer i begyndelsen af brugsanvisningen
	Nummereringen udtrykker arbejdsstrinnenes rækkefølge på illustrationen og kan afvige fra arbejdsstrinnene i teksten
	Positionsnumre anvendes i illustrationen Oversigt og refererer til tallene i symbolforklaringen i afsnittet Produktoversigt
	Dette symbol skal sikre skærpet opmærksomhed ved omgang med produktet.

1.3 Produktspecifikke symboler

1.3.1 Symboler på produktet

Følgende symboler anvendes på produktet:

	Kapslingsklasse II (dobbeltisoleret)
	Serviceindikator



1.4 Produktoplysninger

-produktet er beregnet til professionel brug og må kun betjenes, efterses og vedligeholdes af autoriseret og instrueret personale. Dette personale skal i særdeleshed informeres om de potentielle farer, der er forbundet med anvendelsen af denne maskine. Der kan opstå farlige situationer ved anvendelse af produktet og det tilhørende udstyr, hvis det anvendes af personer, der ikke er blevet undervist i dens brug, eller hvis det ikke anvendes korrekt i henhold til forskrifterne i denne brugsanvisning.

Typebetegnelse og serienummer fremgår af typeskiltet.

- ▶ Notér serienummeret i den efterfølgende tabel. Du skal bruge produktoplysningerne ved henvendelser til vores lokale afdeling eller vores serviceværksted.

Produktoplysninger

Mejselhammer	TE 2000-AVR
Generation	01
Serienummer	

1.5 Overensstemmelseserklæring

Vi erklærer som eneansvarlige, at det beskrevne produkt er i overensstemmelse med gældende direktiver og standarder. Sidst i dette dokument finder du et billede af overensstemmelseserklæringen.

Den tekniske dokumentation er arkiveret her:

Hilti Entwicklungsgesellschaft mbH | Zulassung Geräte | Hiltistraße 6 | 86916 Kaufering, DE

2 Sikkerhed

2.1 Generelle sikkerhedsanvisninger for elværktøj

ADVARSEL Læs alle sikkerhedsanvisninger og instruktioner. Hvis sikkerhedsanvisningerne og instruktionerne ikke overholdes, er der risiko for elektrisk stød, brand og/eller alvorlige personskader.

Opbevar alle sikkerhedsanvisninger og instruktioner til senere brug.

Arbejdspladssikkerhed

- ▶ **Sørg for at holde arbejdsområdet ryddeligt og godt oplyst.** Uorden eller uoplyste arbejdsområder øger faren for uheld.
- ▶ **Brug ikke elværktøj i eksplosionstruede omgivelser, hvor der er brændbare væsker, gasser eller støv.** Elværktøj kan slå gnister, der kan antænde støv eller dampe.
- ▶ **Hold børn og andre personer på sikker afstand under brug af elværktøjet.** Hvis du bliver distraheret, kan du miste kontrollen over maskinen.

Elektrisk sikkerhed

- ▶ **Elværktøjets stik skal passe til kontakten. Stikket må under ingen omstændigheder ændres. Brug ikke adapterstik sammen med jordforbundne elværktøj.** Uædrede stik, der passer til kontakterne, nedsætter risikoen for elektrisk stød.
- ▶ **Undgå kropskontakt med jordforbundne overflader som f.eks. rør, radiatorer, komfurer og køleskabe.** Hvis din krop er jordforbundet, øges risikoen for elektrisk stød.
- ▶ **Elværktøj må ikke udsættes for regn eller fugt.** Indtrængning af vand i elværktøj øger risikoen for elektrisk stød.
- ▶ **Brug ikke ledningen til formål, den ikke er beregnet til (f.eks. må man aldrig bære elværktøjet i ledningen, hænge det op i ledningen eller rykke i ledningen for at trække stikket ud af kontakten). Beskyt ledningen mod varme, olie, skarpe kanter eller maskindele, der er i bevægelse.** Beskadigede eller sammenviklede ledninger øger risikoen for elektrisk stød.
- ▶ **Hvis elværktøjet benyttes i det fri, må der kun benyttes en forlængerledning, der er egnet til udendørs brug.** Brug af forlængerledning til udendørs brug nedsætter risikoen for elektrisk stød.
- ▶ **Hvis det ikke kan undgås at anvende elværktøjet i fugtige omgivelser, skal du anvende et fejlstrømsrelæ.** Anvendelsen af et fejlstrømsrelæ nedsætter risikoen for et elektrisk stød.

Personlig sikkerhed

- ▶ **Det er vigtigt at være opmærksom, se, hvad man laver, og bruge maskinen fornuftigt. Anvend aldrig elværktøj, hvis du er træt eller påvirket af stoffer, alkohol eller medicin.** Et øjeblik uopmærksomhed under brugen af elværktøjet kan medføre alvorlige personskader.
- ▶ **Brug beskyttelsesudstyr, og hav altid beskyttelsesbriller på.** Brug af sikkerhedsudstyr som f.eks. støvmaske, skridsikkert fodtøj, beskyttelseshjelm eller høreværn afhængigt af elværktøjets type og anvendelse nedsætter risikoen for personskader.



- ▶ **Undgå utilsigtet igangsætning. Kontrollér, at elværktøjet er frakoblet, før du slutter det til strømforsyningen, tager det op eller transporterer det.** Undgå at bære elværktøjet med fingrene på afbryderen, og sørg for, at det ikke er tændt, når det sluttes til nettet, da dette øger risikoen for personskader.
- ▶ **Fjern indstillingsværktøj eller skruenøgler, inden elværktøjet tændes.** Hvis et stykke værktøj eller en nøgle sidder i en roterende maskindel, er der risiko for personskader.
- ▶ **Undgå at arbejde i unormale kroppsstillinger. Sørg for at stå sikkert, mens der arbejdes, og kom ikke ud af balance.** Det er derved nemmere at kontrollere elværktøjet, hvis der skulle opstå uventede situationer.
- ▶ **Brug egnet arbejdstøj. Undgå løse beklædningsgenstande eller smykker. Hold hår, tøj og handsker væk fra dele, der bevæger sig.** Dele, der er i bevægelse, kan gribe fat i løstsiddende tøj, smykker eller langt hår.
- ▶ **Hvis støvudsugnings- og opsamlingsudstyr kan monteres, er det vigtigt, at dette tilsluttes og benyttes korrekt.** Ved at anvende en støvudsugning er det muligt at nedsætte risiciene som følge af støv.

Anvendelse og pleje af elværktøjet

- ▶ **Undgå at overbelaste maskinen. Brug altid en maskine, der er beregnet til det stykke arbejde, der skal udføres.** Med det rigtige værktøj arbejder man bedst og mest sikkert inden for det angivne effektområde.
- ▶ **Brug ikke elværktøj, hvis afbryderen er defekt.** En maskine, der ikke kan startes og stoppes, er farlig og skal repareres.
- ▶ **Træk stikket ud af stikkontakten, inden maskinen indstilles, inden der skiftes tilbehørsdele, eller inden du lægger maskinen fra dig.** Disse sikkerhedsforanstaltninger forhindrer utilsigtet start af elværktøjet.
- ▶ **Opbevar ubenyttede elværktøjer uden for børns rækkevidde. Lad aldrig personer, der ikke er fortrolige med elværktøjet eller ikke har gennemlæst sikkerhedsanvisningerne benytte dette.** Elværktøj er farligt, hvis det benyttes af ukyndige personer.
- ▶ **Sørg for at pleje elværktøj omhyggeligt. Kontrollér, om bevægelige dele fungerer korrekt og ikke sidder fast, og om delene er brækket eller beskadiget, således at elværktøjets funktion påvirkes. Få beskadigede dele repareret, inden elværktøjet tages i brug.** Mange uheld skyldes dårligt vedligeholdte elværktøjer.
- ▶ **Sørg for, at skæreværktøjer er skarpe og rene.** Omhyggeligt vedligeholdte skæreværktøjer med skarpe skærekanter sætter sig ikke så hurtigt fast og er nemmere at føre.
- ▶ **Anvend elværktøj, tilbehør, indsatsværktøj osv. i overensstemmelse med disse anvisninger. Tag hensyn til arbejdsforholdene og det arbejde, der skal udføres.** I tilfælde af anvendelse af maskinen til formål, som ligger uden for det fastsatte anvendelsesområde, kan der opstå farlige situationer.

Service

- ▶ **Sørg for, at elværktøjet kun repareres af kvalificerede fagfolk, og at der altid benyttes originale reservedele.** Dermed sikres størst mulig elværktøjsikkerhed.

2.2 Sikkerhedsanvisninger til hamre

- ▶ **Brug høreværn.** Støjpåvirkningen kan medføre høretab.
- ▶ **Brug de ekstrahåndgreb, som følger med maskinen.** Hvis du mister kontrollen, kan det medføre personskader.
- ▶ **Hold kun maskinen i de isolerede håndtag, når du udfører arbejder, hvor indsatsværktøjet kan ramme skjulte elledninger eller maskinens netkabel.** Ved kontakt med en spændingsførende ledning kan også metalliske værktøjsdele sættes under spænding, hvilket kan medføre elektrisk stød.

2.3 Yderligere sikkerhedsanvisninger, mejselhammer

Personlig sikkerhed

- ▶ Anvend kun produktet i teknisk fejlfri stand.
- ▶ Foretag aldrig manipulationer eller ændringer på maskinen.
- ▶ Ved mejsling af lofter, vægge og gulve er det vigtigt at stå sikkert og stabilt. Hvis værktøjet pludselig går igennem, kan du miste balancen!
- ▶ Ved gennembrydningsarbejde skal du huske at sikre området på den modsatte side. Nedbrydningsdele kan falde ud og/eller ned og volde skade på andre personer.
- ▶ Sørg for, at du selv og personer, som opholder sig i nærheden under brugen af maskinen, anvender egnede beskyttelsesbriller, sikkerhedshjelm, høreværn, beskyttelseshandsker og et let åndedrætsværn.



- ▶ Brug også beskyttelseshandsker, når du skifter værktøj. Berøring af indsatsværktøjet kan medføre snitsår og forbrændinger.
- ▶ Brug øjenværn. Splinterne fra materialet kan medføre skader på legeme og øjne.
- ▶ Find ud af, hvilken fareklasse det støv, der opstår ved arbejdet, har, inden du går i gang med arbejdet. Anvend en industristøvsuger med en officielt tilladt beskyttelsesklassificering, som opfylder de lokale støvbeskyttelsesbestemmelser. Støv fra materialer såsom blyholdig maling, visse træsorter, beton / murværk / natursten, som indeholder kvarts, og mineraler samt metal kan være sundhedsfarlige.
- ▶ Sørg for en god ventilation af arbejdspladsen, og brug om nødvendigt et åndedrætsværn, som egner sig til den pågældende støvtype. Berøring eller indånding af støv kan medføre allergiske reaktioner og/eller luftvejs sygdomme hos brugeren eller personer, der opholder sig i nærheden. Bestemte støvtyper, f.eks. støv fra ege- og bøgetræ, er kræftfremkaldende, især i forbindelse med tilsætningsstoffer til træbehandling (kromat, træbeskyttelsesmidler). Asbestholdige materialer må kun håndteres af fagfolk.
- ▶ Hold pauser under arbejdet, og lav øvelser, så dine fingre får en bedre blodgennemstrømning. Ved længerevarende arbejde kan vibrationer medføre forstyrrelser af fingrenes, hændernes eller håndledenes blodkar og nervesystem.

Elektrisk sikkerhed

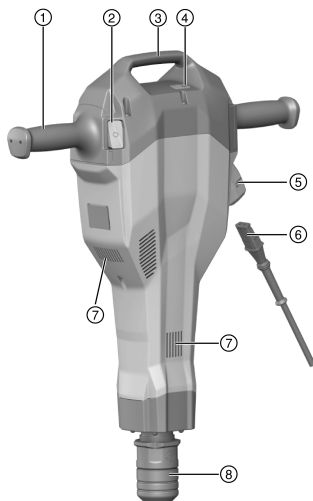
- ▶ Kontrollér før påbegyndelse af arbejdet arbejdsområdet for skjulte elektriske ledninger, gas- og vandrør, f.eks. med en metaldetektor. Udvendige metaldele på maskinen kan medføre elektrisk stød, hvis du ved en fejl kommer til at beskadige en elledning.

Omhyggelig omgang med og brug af elværktøj

- ▶ Vent, indtil elværktøjet er standset helt, før du lægger det fra dig.

3 Beskrivelse

3.1 Oversigt over TE 2000-AVR



- ① Håndgreb
- ② Tænd/sluk-knap
- ③ Bæregreb
- ④ Serviceindikator
- ⑤ Netkabelstik
- ⑥ Aftageligt netkabel
- ⑦ Ventilationsåbninger
- ⑧ Værktøjsholder

3.2 Oversigt over transportvogn

- ① Håndtag
- ② Låsebøjle
- ③ Holder til forbrugsmateriale (mejsel)
- ④ Hjul



3.3 Bestemmelsesmæssig anvendelse

Det beskrevne produkt er en håndført mejselhammer. Den er beregnet til mejsling i beton, murværk og asfalt. Den kan også bruges til stampning og gravning.

Maskinen må kun slutes til den netspænding og -frekvens, som er angivet på typeskiltet.

3.4 Forudsigtelig forkert brug

- Maskinen må kun anvendes i tørre omgivelser.
- Brug ikke maskinen, hvis der er risiko for brand og eksplosion.
- Det er ikke tilladt at bearbejde sundhedsfarlige materialer, f.eks. asbest.

3.5 Active Vibration Reduction

Produktet er udstyret med et Active Vibration Reduction (AVR)-system, som reducerer vibrationsniveauet markant.

3.6 Serviceindikator

Mejselhammeren er udstyret med en serviceindikator med lyssignal.

Tilstand	Betydning
Serviceindikatoren lyser rødt.	Tidspunktet for service er nået. Indlever rettidigt produktet til Hilti Service , så det altid er klar til brug. Skade på maskinen.
Serviceindikatoren blinker rødt.	Overophedningsbeskyttelse Strømforsyningen har for høj spænding.

3.7 Leveringsomfang

Mejselhammer, aftageligt netkabel, brugsanvisning, fedt. Transportvognen fås som tilbehør.

Andre systemprodukter, som er godkendt til dit produkt, finder du i dit **Hilti Center** eller online på adressen www.hilti.group

4 Tekniske data

4.1 Mejselhammer



Nominal spænding, nominal strøm, frekvens og / eller nominelt strømforbrug fremgår af det landespecifikke typeskilt.

Ved drift på en generator eller transformator skal dennes udgangseffekt være mindst dobbelt så høj som det nominelle strømforbrug, der fremgår af maskinens typeskilt. Transformatorens eller generatorens driftsspænding skal til enhver tid ligge inden for +5 % og -15 % af maskinens nominelle spænding.

	TE 2000-AVR
Vægt i henhold til EPTA-procedure 01	14,5 kg
Slagtal	30 Hz
Kapslingsklasse	II

4.2 Støjinformation og vibrationsværdier iht. EN 60745

Lydtryk- og vibrationsværdier i denne brugsanvisning er målt i henhold til en standardiseret målemetode og kan anvendes til sammenligning af forskellige elværktøjer. De kan også anvendes til en foreløbig vurdering af den eksponering, brugeren udsættes for. De anførte data repræsenterer elværktøjets primære anvendelsesformål. Hvis elværktøjet imidlertid anvendes til andre formål, med andre indsatsværktøjer eller utilstrækkelig vedligeholdelse, kan dataene afvige. Dette kan forøge den eksponering, som brugeren udsættes for, i hele arbejdstiden markant. For at opnå en præcis vurdering af den eksponering, som brugeren



udsættes for, bør også den tid, hvor maskinen er slukket eller blot kører uden at blive anvendt, inddrages. Dette kan reducere den eksponering, som brugeren udsættes for, i hele arbejdstiden markant. Fastlæg yderligere sikkerhedsforanstaltninger til beskyttelse af brugeren mod støj- og/eller vibrationspåvirkninger, f.eks. er det vigtigt at vedligeholde elværktøj og indsatsværktøj, at holde hænderne varme og at organisere arbejdsprocesserne.

Støjemissionsværdier

Målt lydeffektniveau (L_{WA})	97 dB(A)
Garanteret lydeffektniveau ($L_{WA,d}$)	100 dB(A)
Usikkerhed, lydeffektniveau (K_{WA})	3 dB(A)
Lydtrykniveau (L_{pA})	77 dB(A)
Usikkerhed, lydtrykniveau (K_{pA})	3 dB(A)

Vibrationsværdier

Mejsling ($a_{h, Ched}$)	4,8 m/s ²
Usikkerhed (K)	1,5 m/s ²

5 Betjening

5.1 Forberedelse af arbejdet

FORSIGTIG

Fare for personskader! Utsigtslet start af produktet.

- ▶ Træk stikket ud af stikkontakten, inden du foretager indstillinger eller skifter tilbehørsdele.

Følg sikkerheds- og advarselshenvisningerne i denne dokumentation og på produktet.

5.1.1 Tilslutning af netkabel til maskinen



Den aftagelige stikforbindelse må kun forbindes med produktet i ren, tør og spændingsfri tilstand. Forbindelsen er kodet.

1. Tag netkablet ud af transportkassen.
2. Sæt stikket i maskinen, indtil låsemekanismen går hørbart i indgreb.
3. Sæt stikket i stikkontakten.

5.1.2 Isætning af indsatsværktøj

1. Træk stikket ud af stikkontakten.
2. Smør indsatsværktøjets indstiksende med et tyndt lag fedt.
 - ▶ Anvend kun originalt fedt fra **Hilti**. En forkert fedttype kan medføre skader på maskinen.
3. Stik indsatsværktøjet ind i værktøjsholderen, og drej det, mens du forsigtigt trykker det ind, indtil det går i indgreb.
4. Kontrollér, at værktøjet sidder sikkert fast ved at trække i det.

5.1.3 Udtagning af indsatsværktøj

FORSIGTIG

Fare for personskader! Indsatsværktøjet kan være meget varmt og/eller have skarpe kanter.

- ▶ Brug beskyttelseshandsker ved skift af indsatsværktøjet.
- ▶ Læg aldrig et meget varmt indsatsværktøj på et brændbart underlag.

1. Træk stikket ud af stikkontakten.
2. Træk værktøjslåsen tilbage indtil anslag.
3. Tag indsatsværktøjet ud.



5.2 Arbejde

ADVARSEL

Fare for elektrisk stød! Manglende jordleder og fejlstrømsrelæ kan medføre alvorlige personskader og forbrændinger.

- ▶ Kontrollér, at den elektriske tilledning på byggepladsen, hvad enten den kommer fra elnettet eller en generator, altid er forsynet med en jordleder og et fejlstrømsrelæ, og at den er tilsluttet disse.
- ▶ Sæt aldrig noget produkt i drift uden disse sikkerhedsforanstaltninger.

ADVARSEL

Fare på grund af beskadigede ledninger! Hvis el- eller forlængerledningen bliver beskadiget under arbejdet, må du ikke røre ved ledningen. Træk stikket ud.

- ▶ Kontrollér maskinens tilslutningsledning regelmæssigt, og få den udskiftet, hvis den er beskadiget.

Sørg for at få byggeledelsens fulde tilladelse til arbejdet.

5.2.1 Mejsling

1. Sæt stikket i stikkontakten.
2. Sæt mejslen i den ønskede position.
3. Tryk på afbryderen.



Arbejde ved lave temperaturer:

Maskinens slagmekanisme kan kun arbejde over en bestemt minimumtemperatur. For at opnå denne skal du kortvarigt sætte maskinen på underlaget og lade den køre i tomgang. Gentag om nødvendigt dette, indtil slagmekanismen fungerer.

5.2.2 Frakobling

1. Tryk på afbryderen.
2. Træk stikket ud af stikkontakten.

5.2.3 Arbejdsanvisninger



Mejslen kan indstilles i 6 forskellige positioner (i trin på 60°). Dette gør, at man med flad- og formmejsler altid kan arbejde i den korrekte arbejdsstilling.

- ▶ Sæt mejslen på ca. 80-100 mm (3 1/8" - 4") fra kanten.
- ▶ Ved armeringsjern skal du altid føre mejslen hen imod kanten af materialet, ikke hen imod armeringsjernet.
- ▶ Begynd mejselarbejdet i en vinkel på 70° til 80° i forhold til betonoverfladen, og ret spidsen hen imod kanten. Bevæg derefter vinklen i retning af 90°, og bryd materialet løs.
- ▶ Drej regelmæssigt mejslen, da en ensartet slitage understøtter selvslibningsprocessen.
- ▶ Hvis du ikke trykker hårdt nok, hopper mejslen. Hvis du trykker for hårdt, nedsættes mejsleeffekten.

6 Ekstratilbehør transportvogn

6.1 Transport

Transportvognen sikrer en risikofri transport af mejselhammeren.

- Sørg for, at transportvognen står på et stabilt underlag.
- Sæt maskinen på den dertil beregnede holdedorn, og fastgør den under transporten altid med holdebøjlen.
- Stik mejslen i den dertil beregnede holder, indtil den går i indgreb.
- Vælg sikre transportveje.
- Stil ikke transportvognen på skrånende underlag.



7 Rengøring og vedligeholdelse

ADVARSEL

Fare på grund af elektrisk stød! Pleje og vedligeholdelse med isat netstik kan medføre alvorlige personskader og forbrændinger.

- ▶ Træk altid netstikket ud før alle pleje- og vedligeholdelsesarbejder!

Pleje

- Fjern forsigtigt fastsiddende snavs.
- Rengør forsigtigt ventilationsåbningerne med en tør børste.
- Rengør kun kabinettet med en let fugtet klud. Undlad at anvende silikoneholdige plejemidler, da de kan angribe plastdelene.

Vedligeholdelse

ADVARSEL

Fare for elektrisk stød! Fagmæssigt ukorrekte reparationer på elektriske dele kan medføre alvorlige personskader og forbrændinger.

- ▶ Reparationer på eldelene må kun udføres af en elektriker.

- Kontrollér regelmæssigt alle synlige dele for skader, og at betjeningselementerne fungerer fejlfrit.
- Anvend ikke produktet i tilfælde af beskadigelse og/eller funktionsfejl. Få omgående udført reparation hos **Hilti Service**.
- Monter alle beskyttelsesanordninger efter pleje- og vedligeholdelsesarbejder, og kontrollér dem for funktion.



Anvend kun originale reservedele og forbrugsmaterialer af hensyn til en sikker drift. Reservedele, forbrugsmaterialer og tilbehør til dit produkt, som vi har godkendt, finder du i dit **Hilti Store Center** eller under: www.hilti.group.

8 Fejlafhjælpning

Ved fejl, som ikke fremgår af denne tabel, eller som du ikke selv kan afhjælppe, beder vi dig om at kontakte **Hilti Service**.

8.1 Fejltabel

Fejl	Mulig årsag	Løsning
Maskinen starter ikke.	Elektronikken initialiseres (op til ca. 4 sekunder fra isætning af stikket)	▶ Sluk og tænd maskinen igen.
	Netstrømforsyningen afbrudt	▶ Slut noget andet elværktøj til, og kontrollér funktionen.
	Netledning eller stik defekt	▶ Lad en elektriker foretage kontrol og om nødvendigt udskiftning.
	Generator med Sleep Mode	▶ Belast generatoren med endnu en forbruger (f.eks. en arbejds-lampe). Tænd og sluk derefter maskinen.
Ingen slagfunktion	Maskinen er for kold	▶ Bring maskinen op på minimumdriftstemperatur
	Skade på maskinen	▶ Få maskinen repareret af Hilti Service .
Maskinen starter ikke eller slukker under brugen, og indikatoren blinker rødt	Midlertidig fejl (f.eks. overophedning eller overspænding)	▶ Sluk maskinen, lad den køle af, eller slut den til en anden strømforsyning.
Maskinen kører, men indikatoren lyser konstant rødt	Advarsel om snarlig service	▶ Få service eller reparation udført af Hilti Service .



Fejl	Mulig årsag	Løsning
Maskinen starter ikke eller slukker under brugen	Forlængerledning for lang eller med for lille tværsnit	▶ Anvend en forlængerledning med godkendt længde og tilstrækkeligt tværsnit.
	Aftageligt netkabel ikke isat korrekt.	▶ Tilslut det aftagelige netkabel korrekt på den elektriske maskine.

9 Bortskaffelse

Størstedelen af de materialer, som anvendes ved fremstillingen af **Hilti**-produkter, kan genvindes. Materialerne skal sorteres, før de kan genvindes. I mange lande modtager **Hilti** dine udtjente maskiner med henblik på genvinding. Spørg **Hilti** kundeservice eller din forhandler.



- ▶ Elværktøj, elektriske maskiner og batterier må ikke bortskaffes sammen med almindeligt husholdningsaffald!

10 RoHS (direktiv til begrænsning af anvendelsen af farlige stoffer)

Under følgende link finder du tabellen med farlige stoffer: qr.hilti.com/r6025050.

Et link til RoHS-tabellen finder du i slutningen af denne dokumentation som QR-kode.

11 Producentgaranti

- ▶ Hvis du har spørgsmål vedrørende garantibetingelserne, bedes du henvende dig til din lokale **Hilti**-partner.



1 Uppgifter för dokumentation

1.1 Om denna dokumentation

- Läs denna dokumentation innan du börjar ta enheten i drift. Det är en förutsättning för säkert arbete och problemfri hantering.
- Observera de säkerhets- och varningsanvisningar som du hittar i dokumentationen och på själva enheten.
- Förvara alltid bruksanvisningen tillsammans med produkten och överlämna aldrig produkten till någon annan utan att bifoga den.

1.2 Teckenförklaring

1.2.1 Varningar

Varningarna är till för att varna för risker i samband med användning av produkten. Följande riskindikeringar används:



FARA !

- ▶ Anger överhängande risker som kan leda till svåra personskador eller dödsolycka.



VARNING !

- ▶ Anger potentiella risker som kan leda till svåra personskador eller dödsfall.



FÖRSIKTIGHET !

- ▶ Används för att fästa uppmärksamhet på en potentiell risksituation som kan leda till skador på person eller utrustning.

1.2.2 Symboler i dokumentationen

I den här dokumentationen används följande symboler:

	Läs bruksanvisningen före användning
	Anmärkningar och annan praktisk information
	Hantering av återvinningsbara material
	Elverktyg och batterier får inte kastas i hushållssoporna

1.2.3 Symboler i bilderna

Följande symboler används i bilder:

	Dessa siffror hänvisar till motsvarande bild i början av bruksanvisningen
	Numreringen återger ordningsföljden hos arbetsmomenten på bilden och kan skilja sig från arbetsmomenten i texten
	På bilden Översikt används positionsnummer som hänvisar till siffrorna i teckenförklaringen i avsnittet Produktöversikt
	Det här tecknet är till för att du ska vara extra uppmärksam på något som gäller hur du hanterar produkten.

1.3 Produktberoende symboler

1.3.1 Symboler på produkten

Följande symboler används på produkten:

	Skyddstyp II (dubbelisolerad)
--	-------------------------------





1.4 Produktinformation

HILTI-produkter är avsedda för professionella användare och får endast användas, underhållas och repareras av auktoriserad, utbildad personal. Personalen måste vara särskilt informerad om de risker som finns. Produkten och dess tillbehör kan utgöra en risk om den används på ett felaktigt sätt av utbildad personal eller inte används enligt föreskrifterna.

Typbeteckning och serienummer anges på typskylten.

- ▶ Använd de serienummer som anges i följande tabell. Du behöver produktuppgifterna när du kontaktar vår återförsäljare eller serviceverkstad.

Produktdetaljer

Mejselhammare	TE 2000-AVR
Generation	01
Serienr	

1.5 Försäkran om överensstämmelse

Vi försäkras på eget ansvar att den produkt som beskrivs här överensstämmer med gällande direktiv och standarder. En bild på försäkran om överensstämmelse hittar du i slutet av dokumentationen.

Den tekniska dokumentationen finns sparad här:

Hilti Entwicklungsgesellschaft mbH | Zulassung Geräte | Hiltistraße 6 | 86916 Kaufering, Tyskland

2 Säkerhet

2.1 Allmänna säkerhetsföreskrifter för elverktyg

⚠ VARNING Läs alla säkerhetsföreskrifter och anvisningar. Om säkerhetsföreskrifterna och anvisningarna inte följs finns risk för elektriska stötar, brand och/eller svåra skador.

Förvara alla säkerhetsföreskrifter och anvisningarna på ett säkert ställe för framtida användning.

Säker arbetsmiljö

- ▶ **Håll arbetsområdet rent och väl belyst.** Oordning eller bristfällig belysning på arbetsplatsen kan leda till olyckor.
- ▶ **Arbeta inte med elverktøget i omgivning med explosionsrisk där det finns brännbara vätskor, gaser eller damm.** Elverktøget alstrar gnistor som kan antända dammet eller gaserna.
- ▶ **Se till att barn och andra personer håller sig på avstånd medan du använder elverktøget.** Om du blir störd finns det risk för att du förlorar kontrollen över verktøget.

Elektrisk säkerhet

- ▶ **Elverktøgets elkontakt måste passa till vägguttaget. Elkontakten får absolut inte ändras. Använd inte adapterkontakter tillsammans med skyddsjordade elverktøget.** Originalkontakter och lämpliga vägguttag minskar risken för elstøtar.
- ▶ **Undvik kroppskontakt med jordade ytor som rör, värmeelement, spisar och kylskåp.** Det finns en större risk för elstøtar om din kropp är jordad.
- ▶ **Skydda elverktøget från regn och vata.** Tränger vatten in i ett elverktøget ökar risken för elstøtar.
- ▶ **Använd inte kabeln på ett felaktigt sätt, t.ex. genom att bära eller hänga upp elverktøget i den eller dra i den för att lossa elkontakten ur vägguttaget. Håll nätkabeln på avstånd från värmekällor, olja, skarpa kanter och rörliga delar.** Skadade eller tilltrasslade kablar ökar risken för elstøtar.
- ▶ **När du arbetar med ett elverktøget utomhus, använd endast en förlängningskabel som är avsedd för utomhusbruk.** Genom att använda en lämplig förlängningskabel för utomhusbruk minskar du risken för elstøtar.
- ▶ **Om det är alldeles nödvändigt att använda verktøget i fuktig miljö ska du använda en jordfelsbrytare.** Användning av jordfelsbrytare minskar risken för elstøtar.

Personsäkerhet

- ▶ **Var uppmärksam, ha uppsikt över vad du gör och använd elverktøget med förnuft. Använd aldrig elverktøget om du är trött eller påverkad av droger, alkohol eller medicin.** En kort sekund av bristande uppmärksamhet när du arbetar med ett elverktøget kan leda till att du skadar dig själv eller någon annan svårt.



- ▶ **Bär alltid personlig skyddsutrustning och skyddsglasögon.** Genom att använda personlig skyddsutrustning som t.ex. dammskyddsmask, halkfria säkerhetsskor, hjälm eller hörselskydd, beroende på vilket elverktyg du använder och till vad, minskar du risken för kroppsskada.
- ▶ **Undvik oavsiktlig igångsättning. Kontrollera att elverktyget är avstängt innan du ansluter det till nätströmmen, tar upp det eller bär det.** Om du bär elverktyget med fingret på strömbrytaren eller ansluter ett tillkopplat verktyg till nätströmmen kan en olycka inträffa.
- ▶ **Ta bort alla inställningsverktyg och skruvnycklar innan du kopplar in elverktyget.** Ett verktyg eller en nyckel i en roterande komponent kan leda till skador.
- ▶ **Undvik en onormal kroppshållning. Se till att du står stadigt och håller balansen.** Då kan du lättare kontrollera elverktyget i oväntade situationer.
- ▶ **Bär lämpliga kläder. Bär inte löst hängande kläder eller smycken. Håll håret, kläderna och handskarna på avstånd från rörliga delar.** Löst hängande kläder, smycken och långt hår kan dras in av roterande delar.
- ▶ **När du använder elverktyg med anordningar för uppsugning och uppsamling av damm, bör du kontrollera att dessa anordningar är rätt monterade och används korrekt.** Används en dammsugare kan faror som orsakas av damm minskas.

Användning och hantering av elverktyg

- ▶ **Överbelasta inte verktyget. Använd elverktyg som är avsedda för det aktuella arbetet.** Med ett lämpligt elverktyg kan du arbeta bättre och säkrare inom angivet effektområde.
- ▶ **Använd aldrig elverktyget om strömbrytaren är defekt.** Ett elverktyg som inte kan kopplas in eller ur är farligt och måste repareras.
- ▶ **Dra ut elkontakten ur vägguttaget innan inställningar utförs, tillbehörsdelar byts ut eller verktyget läggs undan för förvaring.** Denna skyddsåtgärd förhindrar att du eller någon annan råkar sätta igång elverktyget av misstag.
- ▶ **Förvara elverktyg oåtkomligt för barn. Verktyget får inte användas av personer som inte är vana eller inte har läst dessa anvisningar.** Elverktyg är farliga om de används av oerfarna personer.
- ▶ **Underhåll elverktygen noggrant. Kontrollera att rörliga komponenter fungerar felfritt och inte kärvar och att komponenter inte har brustit eller skadats så att elverktygets funktion påverkas negativt. Se till att skadade delar repareras innan verktyget används igen.** Många olyckor orsakas av dåligt skötta elverktyg.
- ▶ **Håll insatsverktygen skarpa och rena.** Omsorgsfullt skötta insatsverktyg med skarpa egg kommer inte så lätt i kläm och går lättare att styra.
- ▶ **Använd elverktyg, tillbehör, insatsverktyg osv. enligt dessa anvisningar. Ta hänsyn till arbetsvillkoren och arbetsmomenten.** Används elverktyget på icke ändamålsenligt sätt kan farliga situationer uppstå.

Service

- ▶ **Låt endast kvalificerad fackpersonal reparera elverktyget och använd då endast originalreservdelar.** Detta garanterar att elverktygets säkerhet upprätthålls.

2.2 Säkerhetsföreskrifter för hammare

- ▶ **Bär hörselskydd.** Buller kan leda till hörselskador.
- ▶ **Använd de extrahandtag som levereras tillsammans med verktyget.** Tappar du kontrollen över verktyget kan det leda till skador.
- ▶ **Håll i verktygets isolerade greppytor vid arbeten där du riskerar att träffa dolda elkablar eller den egna nätkabeln.** Vid kontakt med en spänningssatt ledning kan metalldelar på verktyget spänningssättas och ge dig en stöt.

2.3 Ytterligare säkerhetsanvisningar för mejselhammare

Personsäkerhet

- ▶ Använd verktyget bara om det är fullt funktionsdugligt.
- ▶ Manipulera eller ändra aldrig något på verktyget.
- ▶ Se till att du står stadigt vid mejsling i tak, väggar och golv. Ett plötsligt genombrott kan göra att du tappar balansen!
- ▶ Vid genombrottsarbeten, tänk på att säkra området på motstående sida. Annars finns det risk för att det material som lossnar ramlar ner eller skjuter iväg och skadar människor i närheten.
- ▶ Använd lämpliga skyddsglasögon, skyddshjälm, hörselskydd, skyddshandskar och ett lätt andningsskydd när du arbetar med verktyget och se till att personer i närheten av verktyget har samma skyddsutrustning.



- ▶ Använd skyddshandskar även vid byte av insatsverktyg. Det finns risk för skär- och brännskador vid beröring av nyss använda insatsverktyg.
- ▶ Använd skyddsglasögon. Splitter kan skada oskyddade kroppsdelar och ögon.
- ▶ Ta bort de dammpartiklar som har uppstått innan arbetet i riskklassen startas. Använd en byggdamm-sugare med en standardskyddsklassificering som motsvarar de lokala dammskyddsbestämmelserna. Damm från material med blyhaltig färg, vissa träslag, betong, tegel, sten som innehåller kvarts, mineraler och metall kan vara hälsovådliga.
- ▶ Se till att arbetsplatsen har god ventilation, och använd vid behov en andningsmask som är avsedd för damm av det aktuella slaget. Beröring eller inandning av damm kan orsaka allergiska reaktioner och/eller sjukdomar i andningsvägarna hos användaren eller hos personer som befinner sig i närheten. Vissa slags damm, till exempel från ek eller bok, anses vara cancerframkallande, särskilt i kombination med tillsatssämnen för behandling av trä (kromat, träskyddsmedel). Asbesthaltigt material får bara hanteras av särskilt utbildad personal.
- ▶ Gör pauser i arbetet och utför fingerövningar som ökar blodgenomströmningen i fingrarna. Vid långvarigt, ihållande arbete kan vibrationerna ge besvär i blodkärl och nerver i fingrarna, händerna och handlederna.

Elektrisk säkerhet

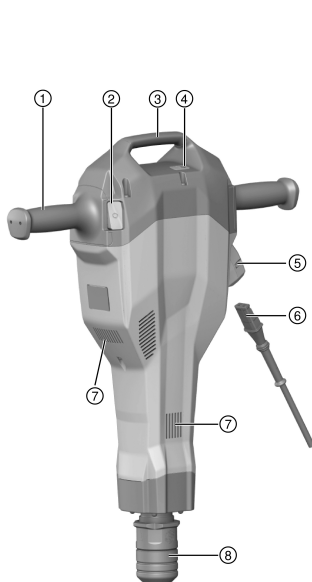
- ▶ Undersök om det finns dolda el-, gas- och vattenledningar inom arbetsområdet innan du påbörjar arbetet. Utanpåliggande metalldelar på verktyget kan orsaka elstötar om du oavsiktligt råkar skada en elledning.

Omsorgsfull hantering och användning av elverktyg

- ▶ Vänta tills elverktyget stannat helt innan du lägger det ifrån dig.

3 Beskrivning

3.1 Översikt över TE 2000-AVR



- ① Handtag
- ② Strömbrytare
- ③ Bärhandtag
- ④ Serviceindikator
- ⑤ Uttag för elkabel
- ⑥ Nätkabel med stickkontakt
- ⑦ Ventilationsspringor
- ⑧ Chuck

3.2 Översikt transportvagn

- | | |
|---|-----------------------------|
| ① Grepp | ④ Hjul |
| ② Positionslås | ⑤ Hjulspärr (skiva, sprint) |
| ③ Hållare för förbrukningsmaterial (mejsel) | ⑥ Maskindorn |



3.3 Avsedd användning

Produkten som beskrivs är en handhållen mejselhammare. Den är avsedd för mejslning i betong, tegel och asfalt. Den kan även användas för stampning och schaktning.

Använd bara maskinen ansluten till huvudnät med spänning och frekvens som stämmer överens med uppgifterna på maskinens typskylt.

3.4 Förutsebar felanvändning

- Verktyget får endast användas i torra miljöer.
- Använd inte instrumentet där det finns risk för brand eller explosioner.
- Hälsovådliga material (som asbest) får inte bearbetas.

3.5 Active Vibration Reduction

Produkten är utrustad med ett Active Vibration Reduction (AVR)-system som märkbart minskar vibrationerna.

3.6 Serviceindikator

På mejselhammaren finns en serviceindikator med ljussignal.

Status	Betydelse
Serviceindikatorn lyser rött.	Drifttiden för service har uppnåtts. Ta med produkten till Hilti -service i god tid, så är den alltid klar att använda. Verktyget är skadat.
Serviceindikatorn blinkar rött.	Överhettningsskydd Strömförsörjningen har för hög spänning.

3.7 Leveransinnehåll

Mejselhammare, nätkabel med stickkontakt, bruksanvisning och fett. Transportvagnen erbjuds som tillbehör. Dessutom finns fler systemprodukter för din produkt i ditt **Hilti**-center eller online på adressen: www.hilti.group

4 Teknisk information

4.1 Mejselhammare

Märkspänning, märkström, frekvens och/eller märkeffekt finns angivet på den landsspecifika typskylten på ditt verktyg.

Om verktyget drivs via en generator eller transformator måste denna ha en uteffekt som är minst dubbelt så hög som den märkeffekt som finns angiven på verktygets typskylt. Transformatorns eller generatorns driftspänning måste alltid ligga inom +5 % och -15 % av verktygets märkspänning.

	TE 2000-AVR
Vikt enligt EPTA-procedure 01	14,5 kg
Slagtal	30 Hz
Skyddstyp	II

4.2 Bullerinformation och vibrationsvärden enligt EN 60745

De ljudtrycks- och vibrationsvärden som anges i anvisningarna har uppmätts med en standardiserad mätmetod och kan användas för att jämföra olika elverktyg med varandra. De kan också användas för att göra en preliminär uppskattning av exponeringarna. De angivna värdena representerar borrtillverkarens huvudsakliga användning. När elverktyget begagnas inom andra områden, med andra insatsverktyg eller med otillräckligt underhåll, kan mätning ge avvikande värden. Det innebär att exponeringen under den totala arbetstiden kan ökas betydligt. För att uppskattningen av exponeringarna ska bli exakt bör man också räkna in de tider då verktyget är fränkopplat, eller då det är tillkopplat men inte används. Detta kan minska exponeringen betydligt under den totala arbetstiden. Vidta även andra säkerhetsåtgärder för att



skydda användaren mot effekterna av buller och/eller vibrationer, exempelvis: Underhåll av elverktyg och insatsverktyg, möjlighet att hålla händerna varma, organisation av arbetsförloppen.

Bullervärden

Uppmätt ljudeffektnivå (L_{WA})	97 dB(A)
Garanterad ljudeffektnivå ($L_{WA,d}$)	100 dB(A)
Osäkerhet ljudeffektnivå (K_{WA})	3 dB(A)
Ljudtrycksnivå (L_{pA})	77 dB(A)
Osäkerhet ljudtrycksnivå (K_{pA})	3 dB(A)

Vibrationsvärden

Mejsling (a_n, C_{req})	4,8 m/s ²
Osäkerhet (K)	1,5 m/s ²

5 Användning

5.1 Förberedelser för arbete


FÖRSIKTIGHET

Risk för personskada! Oavsiktlig igångsättning av produkten.

- Dra alltid ur elsladden innan du gör några inställningar på verktyget eller byter tillbehörsdelar.

Observera de säkerhets- och varningsanvisningar som du hittar i dokumentationen och på själva enheten.

5.1.1 Anslut nätkabeln till verktyget

 Den löstagbara kabelkontakten måste vara ren, torr och utan spänning när den kopplas till produkten. Kopplingen är kodad.

1. Ta ut nätkabeln ur transportlådan.
2. Sätt kontaktdonet i verktyget så att du hör att låsskruven låser.
3. Stick in kabeln i uttaget.

5.1.2 Byta insatsverktyg

1. Dra ut stickkontakten ur uttaget.
2. Fetta in insticksänden på insatsverktyget en aning.
 - ↳ Använd endast originalfett från **Hilti**. En felaktigt fett kan orsaka skador på verktyget.
3. Sätt insatsverktyget i chucken och vrid det samtidigt som du trycker det lätt inåt tills det låser.
4. Dra i mejseln för att kontrollera att den sitter fast ordentligt.

5.1.3 Ta ur insatsverktyg

FÖRSIKTIGHET

Risk för personskada! Insatsverktyget kan vara hett och/eller ha skarpa kanter.

- Använd alltid skyddshandskar när du byter insatsverktyg.
- Lägg aldrig varma insatsverktyg på ett brännbart underlag.

1. Dra ut stickkontakten ur uttaget.
2. Dra tillbaka chuckhylsan så långt det går.
3. Ta ur insatsverktyget.

5.2 Arbeta

VARNING

Risk för elstöt! Om jordledare och jordfelsbrytare saknas kan det leda till svåra person- och brännskador.

- Kontrollera att det i strömförsörjningsledningen på arbetsplatsen (ström från elnät eller generator) alltid finns jordledare och jordfelsbrytare och att de är anslutna.
- Produkten får inte användas utan dessa säkerhetsanordningar.



⚠ VARNING

Fara på grund av skadad kabel! Om kabeln eller förlängningskabeln skadas under arbetet får du inte röra vid den. Dra ut kabeln ur uttaget.

- ▶ Kontrollera verktygets anslutningskabel regelbundet och låt en behörig fackman byta ut den om den är skadad.

Be om godkännande från bygglidningen samtliga för arbeten som ska utföras!

5.2.1 Mejsling

1. Stick in kabeln i uttaget.
2. Sätt mejseln i önskat läge.
3. Tryck på strömbrytaren.



Arbeten vid låga temperaturer:

Verktyget kräver en viss drifttemperatur för att slagmekanismen ska startas. För att uppnå denna kan du sätta an verktyget mot underlaget och låta det gå på tomgång. Upprepa tills slagmekanismen startas.

5.2.2 Frånkoppling

1. Tryck på strömbrytaren.
2. Dra ut stickkontakten ur uttaget.

5.2.3 Arbetsanvisningar



Mejseln kan låsas fast i 6 olika lägen (i steg om 60°). Därigenom kan man alltid hitta en optimal arbetsställning vid arbete med flat- eller formmejsel.

- ▶ Påbörja mejslingen cirka 80–100 mm (3 1/8"–4") från kanten.
- ▶ Vid armeringsjärn, för alltid mejseln mot kanten på materialet, inte mot armeringsjärnet.
- ▶ Påbörja mejslingen i en vinkel på mellan 70° och 80° mot betongytan och rikta spetsen mot kanten. Ändra sedan vinkeln till 90° och bryt loss materialet.
- ▶ Vrid regelbundet på mejseln, eftersom ett jämnt slitage främjar självslipningen.
- ▶ Ett för lågt anpressningstryck gör att mejseln hoppar. Ett för högt anpressningstryck leder till försämrad mejslingseffekt.

6 Tillbehör transportvagn

6.1 Transport

Transportvagnen garanterar säker transport av mejselhammaren.

- Se till att transportvagnen står stabilt.
- Ställ verktyget på maskindornen och lås alltid fast det med låsbygeln under transport.
- Sätt mejseln i den därför avsedda hållaren tills den låser.
- Se till att transportsträckan är säker.
- Placera inte transportvagnen på lutande ytor.

7 Skötsel och underhåll

⚠ VARNING

Risk för elstötar! Vid skötsel och underhåll finns risk för svåra person- och brännskador om elkontakten inte dras ur.

- ▶ Dra alltid ur elkontakten före skötsel- och underhållsarbete.

Skötsel

- Ta försiktigt bort smuts som fastnat på verktyget.
- Rengör ventilationsspringorna försiktigt med en torr borste.



- Rengör höljet med en lätt fuktad trasa. Använd inte rengöringsmedel med silikon, eftersom det kan skada plastdelarna.

Underhåll

VARNING

Risk för elstö! Felaktigt utförda reparationer på elektriska delar kan leda till svåra skador och brännskador.

► Reparationer på de elektriska delarna får endast utföras av behörig fackman.

- Kontrollera regelbundet att inga synliga delar har skadats och att alla reglage fungerar som de ska.
- Använd inte produkten om den uppvisar skador eller funktionsstörningar. Skicka den direkt till **Hilti Service** för reparation.
- Efter att skötsel- och underhållsarbete utförts ska alla skyddsanordningar alltid monteras och kontrolleras.

Använd endast originalreservdelar och förbrukningsmaterial för säker drift. Godkända reservdelar, förbrukningsmaterial och tillbehör till din produkt från oss hittar du i närmaste **Hilti Store** eller på: www.hilti.group.

8 Felsökning

Kontakta **Hilti Service** om det uppstår ett fel som inte finns med i den här tabellen eller som du inte lyckas åtgärda på egen hand.

8.1 Tabell över störningar

Fel	Möjlig orsak	Lösning
Verktyget startar inte	Elektroniken initieras (i ca 4 sekunder efter det att kontakten anslutits)	► Koppla från och starta verktyget igen.
	Strömförsörjningen är bruten	► Koppla in en annan elektrisk maskin och se efter om den fungerar.
	Kabeln eller stickproppen är defekt	► Kontrolleras av behörig och byts vid behov.
	Generator i viloläge	► Belasta generatormed ett andra belastningsobjekt (t.ex. en byggglampa). Stäng sedan av verktyget och sätt på det igen.
Inget slag	Verktyget är för kallt	► Värm verktyget till lägsta drifttemperatur.
	Skador på verktyget	► Låt Hilti Service reparera verktyget.
Verktyget startar inte/stänger av sig under drift och indikeringen blinkar rött	Tillfälligt fel (t.ex. överhettning eller överspänning)	► Stäng av verktyget och låt det svalna eller anslut verktyget till en annan strömkälla.
Verktyget startar, men indikeringen lyser med stadigt rött ljus	Serviceindikering	► Lämna in verktyget till Hilti-service för service eller reparation.
Verktyget startar inte/stänger av sig under drift	Förlängningskabeln är för lång och/eller har för liten area	► Använd en förlängningskabel med godkänd längd och tillräckligt stor area.
	Nät kabel med stickkontakt är inte riktigt ansluten.	► Anslut nät kabeln med stickkontakt på rätt sätt.

9 Avfallshantering

Hilti-verktyg är till stor del tillverkade av återvinningsbara material. En förutsättning för återvinning är att materialen separeras på rätt sätt. I många länder kan du lämna in ditt uttjänta verktyg så att **Hilti** tar hand om det. Hör efter med **Hiltis** kundtjänst eller din kontaktperson.





-
- ▶ Kasta inte elverktyg, elektronisk apparatur och batterier i hushållssoporna.
-

10 RoHS (föreskrifter för begränsning av användningen av farliga ämnen)

Använd den här länken för att komma till tabellen över farliga ämnen: qr.hilti.com/r6025050.
En länk till RoHS-tabellen hittar du i slutet på det här dokumentet i form av en QR-kod.

11 Tillverkargaranti

- ▶ Vänd dig till din lokala **Hilti**-representant om du har frågor om garantivillkoren.



1 Informasjon om dokumentasjonen

1.1 Om denne dokumentasjonen

- Les denne dokumentasjonen før du tar produktet i bruk. Dette er en forutsetning for sikkerhet under arbeidet og problemfri bruk.
- Følg sikkerhetshenvisningene og advarslene i denne dokumentasjonen og på produktet.
- Oppbevar alltid bruksanvisningen på produktet, og lever bruksanvisningen fra deg sammen med produktet hvis det overtas av andre personer.

1.2 Symbolforklaring

1.2.1 Farehenvisninger

Farehenvisninger advarer mot farer under håndtering av produktet. Følgende signalord brukes:

**FARE****FARE !**

- ▶ For en umiddelbart truende fare som kan føre til alvorlige personskader eller død.

**ADVARSEL****ADVARSEL !**

- ▶ Varsler en mulig fare som kan føre til alvorlige personskader eller død.

**FORSIKTIG****FORSIKTIG !**

- ▶ Varsler om en mulig farlig situasjon som kan føre til lettere personskade eller skade på utstyr og annen eiendom.

1.2.2 Symboler i dokumentasjonen

Følgende symboler brukes i denne dokumentasjonen:



Les bruksanvisningen før bruk



Anvisninger om bruk og annen nyttig informasjon



Håndtering av resirkulerbare materialer



Ikke kast elektriske apparater eller batterier i husholdningsavfallet

1.2.3 Symboler i illustrasjoner

Følgende symboler brukes i illustrasjonene:

	Disse tallene henviser til illustrasjonen foran i denne bruksanvisningen
3	Nummereringen angir rekkefølgen for arbeidstrinnene på bildet og kan avvike fra arbeidstrinnene i teksten
	Posisjonsnumrene brukes i illustrasjonen Oversikt og henviser til numrene på teksten i avsnittet Produktoversikt
	Dette symbolet betyr at håndtering av produktet krever stor grad av oppmerksomhet.

1.3 Produktavhengige symboler

1.3.1 Symboler på produktet

Følgende symboler brukes på produktet:

	Beskyttelsesklasse II (dobbeltisolert)
--	--





1.4 Produktinformasjon

HILTI-produkter er laget for profesjonell bruk og må kun brukes, vedlikeholdes og repareres av kyndig personale. Dette personalet må informeres om eventuelle farer som kan oppstå. Produktet og tilleggsutstyret kan utgjøre en fare hvis det betjenes av ukvalifisert personale eller det benyttes feil.

Typebetegnelse og serienummer står på typeskiltet.

- ▶ Skriv inn serienummeret i tabellen nedenfor. Du trenger produktspesifikasjonene ved henvendelser til Hiltis representant eller servicesenter.

Produktspesifikasjoner

Meiselhammer	TE 2000-AVR
Generasjon	01
Serienummer	

1.5 Samsvarserklæring

Vi erklærer herved at produktet som er beskrevet her, er i samsvar med gjeldende normer og direktiver. Du finner et bilde av samsvarserklæringen på slutten av denne dokumentasjonen.

Den tekniske dokumentasjonen er lagret her:

Hilti Entwicklungsgesellschaft mbH | Zulassung Geräte | Hiltistraße 6 | 86916 Kaufering, DE

2 Sikkerhet

2.1 Generelle sikkerhetsregler for elektroverktøy

⚠ ADVARSEL Les alle sikkerhetsanvisninger og andre anvisninger. Manglende overholdelse av sikkerhetsanvisninger og andre anvisninger kan medføre elektrisk støt, brann og/eller alvorlige skader. Overhold alle sikkerhetsanvisninger og instruksjoner i hele bruksperioden.

Sikkerhet på arbeidsplassen

- ▶ **Hold arbeidsområdet rent og godt opplyst.** Rotete eller dårlig belyste arbeidsområder kan føre til ulykker.
- ▶ **Bruk ikke elektroverktøyet i eksplosjonsfarlige omgivelser hvor det befinner seg brennbare flytende stoffer, gasser eller støv.** Elektroverktøy lager gnister som kan antenne støv eller damp.
- ▶ **Hold barn og andre personer på avstand mens elektroverktøyet brukes.** Hvis du blir forstyrret under arbeidet, kan du miste kontrollen over maskinen.

Elektrisk sikkerhet

- ▶ **Elektroverktøyets støpsel må passe i stikkontakten. Støpselet må ikke forandres på noen som helst måte. Bruk ikke adapterkontakt på elektroverktøyet som er jordet.** Originale plugger og egnede stikkontakter minsker risikoen for elektrisk støt.
- ▶ **Unngå kroppskontakt med jordete overflater som rør, radiatorer, komfyrer eller kjøleskap.** Risikoen for elektriske støt er høyere når kroppen er jordet.
- ▶ **Hold elektroverktøyet unna regn og fuktighet.** Risikoen for et elektrisk støt øker ved inntrenging av vann i et elektroverktøy.
- ▶ **Bruk ikke ledningen til å bære elektroverktøyet, henge det opp eller til å dra støpselet ut av stikkontakten. Hold ledningen unna varme, olje, skarpe kanter eller maskindeler som beveger seg.** Skadede eller sammenviklede ledninger øker risikoen for elektriske støt.
- ▶ **Bruk kun skjøteledning som også er godkjent for utendørs bruk når du arbeider med et elektroverktøy utendørs.** Bruk av skjøteledning som er egnet til utendørs bruk, minsker risikoen for elektrisk støt.
- ▶ **Må elektroverktøyet brukes i fuktige omgivelser, er det nødvendig å bruke en jordfeilbryter.** Bruk av en jordfeilbryter reduserer risikoen for elektrisk støt.

Personsikkerhet

- ▶ **Vær oppmerksom, pass på hva du gjør, og gå fornuftig fram under arbeidet med et elektroverktøy. Ikke bruk elektroverktøy når du er trøtt eller påvirket av narkotika, alkohol eller medikamenter.** Et øyeblikks uoppmerksomhet ved bruk av elektroverktøyet kan være nok til å forårsake alvorlige personskader.



- ▶ **Bruk alltid personlig verneutstyr og vernebriller.** Bruk av personlig verneutstyr som støvmaske, sklisliske vernesko, hjelm eller hørselsvern – avhengig av type og bruk av elektroverktøyet – reduserer risikoen for skader.
- ▶ **Unngå utilsiktet start. Forsikre deg om at elektroverktøyet er slått av før du kobler det til strømforsyningen, løfter eller flytter på det.** Hvis du holder fingeren på bryteren når du bærer elektroverktøyet, eller kobler elektroverktøyet til strøm i innkoblet tilstand, kan dette føre til uhell.
- ▶ **Fjern justeringsverktøy og skrunøkkel før du slår på elektroverktøyet.** Et verktøy eller en nøkkel som befinner seg i en roterende maskindel, kan føre til skader.
- ▶ **Unngå uhensiktsmessige arbeidsposisjoner. Sørg for å stå stødig og i balanse.** Dermed kan du kontrollere elektroverktøyet bedre i uventede situasjoner.
- ▶ **Bruk egnede klær. Ikke bruk vide klær eller smykker. Hold hår, tøy og hansker unna deler som beveger seg.** Løstsittende tøy, smykker eller langt hår kan komme inn i deler som beveger seg.
- ▶ **Hvis det er montert støvavsugs- og oppsamlingsinnretninger, må det kontrolleres at disse er koblet til og blir brukt på riktig måte.** Bruk av et støvavsug kan redusere faremomentene i forbindelse med støv.

Bruk og behandling av elektroverktøyet

- ▶ **Ikke overbelast verktøyet. Bruk et elektroverktøy som er beregnet til den type arbeid du vil utføre.** Med et passende elektroverktøy arbeider du bedre og sikrer i det angitte effektområdet.
- ▶ **Ikke bruk elektroverktøy med defekt bryter.** Et elektroverktøy som ikke lenger kan slås av eller på, er farlig og må repareres.
- ▶ **Dra ut støpselet fra stikkkontakten før du foretar maskininnstillinger, bytter tilleggsutstyr eller legger bort maskinen.** Disse tiltakene forhindrer en utilsiktet start av elektroverktøyet.
- ▶ **Oppbevar elektroverktøy som ikke brukes utenfor barns rekkevidde. La ikke personer som ikke er fortrolige med eller ikke har lest instruksjonene, bruke verktøyet.** Elektroverktøy er farlige når de brukes av uerfarne personer.
- ▶ **Sørg for grundig stell og vedlikehold av elektroverktøyet. Kontroller at bevegelige deler på elektroverktøyet fungerer feilfritt og ikke klemmes fast, og om deler er brukket eller skadet, slik at dette innvirker på elektroverktøyets funksjon. La skadde deler repareres før elektroverktøyet brukes.** Mange ulykker er et resultat av dårlig vedlikeholdte elektroverktøy.
- ▶ **Hold skjæreverktøy skarpe og rene.** Godt vedlikeholdte skjæreverktøy med skarpe skjærekanter blir sjeldnere fastklemt og er lettere å styre.
- ▶ **Bruk elektroverktøy, tilbehør, arbeidsverktøy osv. i overensstemmelse med denne anvisningen. Ta hensyn til arbeidsforholdene og arbeidet som skal utføres.** Bruk av elektroverktøy til andre formål enn det som er angitt kan føre til farlige situasjoner.

Service

- ▶ **Elektroverktøyet må kun repareres av kvalifisert fagpersonale og kun med originale reservedeler.** Slik opprettholdes elektroverktøyets sikkerhet.

2.2 Sikkerhetsanvisninger for borhammere

- ▶ **Bruk hørselsvern.** Påvirkning av støy kan føre til hørselstap.
- ▶ **Bruk håndtakene som leveres med maskinen.** Tap av kontroll kan føre til skader.
- ▶ **Hold maskinen i de isolerte håndtaksflatene når du utfører arbeid der verktøybits kan komme i kontakt med skjulte strømledninger.** Kontakt med en spenningsførende ledning kan også sette maskinens metalldele under spenning og føre til elektrisk støt.

2.3 Ekstra sikkerhetsanvisninger for meiselhammer

Personsikkerhet

- ▶ Bruk produktet bare i teknisk feilfri stand.
- ▶ Ikke foreta modifiseringer eller endringer på maskinen.
- ▶ Sørg for at du står støtt ved meisling i tak, vegg og gulv. Du kan miste balansen ved et plutselig gjennombrudd!
- ▶ Ved gjennombruddsarbeider må området på den andre siden sikres. Deler som brytes ut, kan falle ut og/eller ned og skade andre personer.
- ▶ Ved bruk av maskinen skal du og andre personer som oppholder seg i nærheten, alltid bruke egnede vernebriller, vernehjelm, hørselsvern, vernehansker og en lett ansiktsmaske.
- ▶ Bruk vernehansker også ved skifte av verktøy. Berøring av innsatsverktøyet kan føre til kuttskader og forbrenninger.
- ▶ Bruk øyevern. Splintret materiale kan skade kroppen og øynene.



- ▶ Før arbeidet påbegynnes, må du bringe på det rene hvilken fareklasse støvmaterialet som oppstår, tilhører. Bruk en anleggsstøvsuger med offisiell beskyttelsesklassifisering sammen med maskinen. Maskinen må oppfylle lokale støvbeskyttelseskrav. Støv fra materialer som blyholdig maling, enkelte tresorter, betong/mur/stein som inneholder kvarts, mineraler og metaller kan være helseskadelig.
- ▶ Sørg for god ventilasjon på arbeidsplassen, og bruk eventuelt åndedrettsvern tilpasset den aktuelle typen støv. Berøring eller innånding av slike typer støv kan fremkalle allergiske reaksjoner og/eller luftveissykdommer hos brukeren og andre personer som oppholder seg i nærheten. Bestemte typer støv som eikestøv eller bøkestøv regnes som kreftfremkallende, særlig i forbindelse med stoffer for trebehandling (kromat, trepleiemidler). Asbestholdige materialer skal kun håndteres av kvalifisert personell.
- ▶ Ta pauser i arbeidet og gjør øvelser for å sikre bedre blodsirkulasjon i fingrene. Ved langvarig arbeid kan det oppstå skader på blodkar eller nervesystemet i fingrer, hender eller håndledd.

Elektrisk sikkerhet

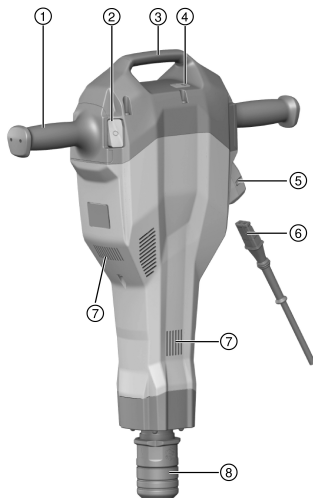
- ▶ Kontroller før arbeidet påbegynnes at det ikke finnes skjulte strømledninger, gass- eller vannrør i arbeidsområdet. Utvendige metalldeleer på maskinen kan forårsake elektrisk støt hvis du utilsiktet skulle skade en strømledning.

Forsiktig behandling og bruk av elektroverktøy

- ▶ Vent til elektroverktøyet har stanset helt før du legger det fra deg.

3 Beskrivelse

3.1 Oversikt TE 2000-AVR



- ① Håndtak
- ② Av/på-bryter
- ③ Bærehåndtak
- ④ Serviceindikator
- ⑤ Ledningsstøpsel
- ⑥ Avtagbar ledning
- ⑦ Ventilasjonsåpninger
- ⑧ Chuck

3.2 Oversikt transportvogn

- ① Håndtak
- ② Låsebøyle
- ③ Holder for forbruksmateriale (meisel)
- ④ Hjul
- ⑤ Hjulsikring (skive, splint)
- ⑥ Maskinfestetapp



3.3 Forskriftsmessig bruk

Det beskrevne produktet er en håndholdt meiselhammer. Den er beregnet til meisling i betong, mur og asfalt. Den kan også brukes til stamping og graving.

Bruk maskinen kun når den er knyttet til hovedledning med en spenning og frekvens som er i overensstemmelse med informasjonen på typeskiltet.

3.4 Feilbruk som lett kan unngås

- Maskinen må bare brukes i tørre omgivelser.
- Ikke bruk maskinen på steder der det er brann- eller eksplosjonsfare.
- Det må ikke arbeides med helsefarlige materialer (for eksempel asbest).

3.5 Active Vibration Reduction

Produktet er utstyrt med et Active Vibration Reduction (AVR)-system som reduserer vibrasjonen merkbar.

3.6 Serviceindikator

Meiselhammeren er utstyrt med en serviceindikator med lyssignal.

Tilstand	Betydning
Serviceindikatoren lyser rødt.	Maskinens driftstid før en service er nådd. Lever produktet inn til Hilti service i rett tid slik at det alltid er klart til bruk. Skader på maskinen.
Serviceindikatoren blinker rødt.	Overopphetingsvern Strømtilførsel har for høy spenning.


3.7 Dette følger med:

meiselhammer, avtagbar ledning, bruksanvisning, fett. Transportvognen tilbys som tilbehør.

I tillegg finner du tillatte systemprodukter til produktet hos nærmeste **Hilti**-senter eller på nettet under: www.hilti.group

4 Tekniske data

4.1 Meiselhammer

 Merkespenning, merkestrøm, frekvens og/eller nominell inngangseffekt står på typeskiltet for ditt land.

Ved drift med generator eller transformator må generatorens eller transformatorens utgangseffekt være minst dobbelt så stor som den nominelle inngangseffekten som er oppgitt på maskinens typeskilt. Driftsspenningen for transformatoren eller generatoren må alltid ligge innenfor +5 % og -15 % av merkespenningen for maskinen.

	TE 2000-AVR
Vekt i henhold til EPTA-prosedyre 01	14,5 kg
Slag tall	30 Hz
Beskyttelsesklasse	II

4.2 Støyinformasjon og vibrasjonsverdier iht. EN 60745

Lydtrykk- og vibrasjonsverdiene som er angitt i denne bruksanvisningen, er målt i samsvar med en normert målemetode og kan brukes til sammenligning av elektroverktøy. De egner seg også til en foreløpig vurdering av eksponeringene. De angitte dataene representerer de viktigste bruksområdene for elektroverktøyet. Men hvis elektroverktøyet brukes til andre formål, med avvikende innsatsverktøy eller med utilstrekkelig vedlikehold, kan dataene avvike. Dette kan øke eksponeringene betraktelig gjennom hele arbeidsperioden. For å få en nøyaktig vurdering av eksponeringene må man også ta hensyn til tidsrommene da maskinen er slått av eller er i gang, men ikke i drift. Dette kan redusere eksponeringene betraktelig gjennom



hele arbeidsperioden. Fastsett ekstra sikkerhetstiltak for å beskytte operatøren mot effekten av støy og/eller vibrasjoner, for eksempel: Vedlikehold av elektroverktøy og innsatsverktøy, holde hendene varme, organisering av arbeidsprosesser.

Støyutslippsverdier

Målt lydeffektnivå (L_{WA})	97 dB(A)
Garantert lydeffektnivå ($L_{WA,d}$)	100 dB(A)
Usikkerhet lydeffektnivå (K_{WA})	3 dB(A)
Avgitt lydtrykk (L_{pA})	77 dB(A)
Usikkerhet lydtrykknivå (K_{pA})	3 dB(A)

Vibrasjonsverdier

Meisling ($a_{h, Cheq}$)	4,8 m/s ²
Usikkerhet (K)	1,5 m/s ²

5 Betjening

5.1 Klargjøring til arbeidet

FORSIKTIG

Fare for personskader! Utløst start av produktet.

- ▶ Trekk støpslet ut av stikkkontakten før du foretar maskinnstillinger eller skifter tilbehørsdeler.

Følg sikkerhetshenvisningene og advarslene i denne dokumentasjonen og på produktet.

5.1.1 Koble nettkabelen til maskinen



Den avtagbare pluggforbindelsen skal kun kobles til produktet i ren, tørr og spenningsløs tilstand. Forbindelsen er kodet.

1. Ta nettkabelen ut av transportesken.
2. Sett pluggforbindelsen inn i maskinen til låsen klikker hørbart på plass.
3. Sett støpslet inn i stikkkontakten.

5.1.2 Sette i innsatsverktøy

1. Trekk støpslet ut av stikkkontakten.
2. Smør innstikkenden til innsatsverktøyet med litt fett.
 - ↳ Bruk bare originalfett fra **Hilti**. Feil fett kan forårsake skade på maskinen.
3. Sett innsatsverktøyet inn i chucken og vri det med lett mottrykk, inntil det festes hørbart.
4. Trekk i verktøyet for å forsikre deg om at det er godt festet.

5.1.3 Ta ut innsatsverktøyet

FORSIKTIG

Fare for personskader! Innsatsverktøyet kan være varmt og/eller ha skarpe kanter.

- ▶ Bruk vernehansker når du skifter innsatsverktøy.
- ▶ Ikke legg et varmt innsatsverktøy på brennbare underlag.

1. Trekk støpslet ut av stikkkontakten.
2. Trekk verktøylåsen tilbake til anslag.
3. Ta ut innsatsverktøyet.



5.2 Arbeid

ADVARSEL

Fare for elektrisk støt! Manglende jordingsleder og jordfeilbryter kan føre til alvorlige personskader og forbrenninger.

- ▶ Kontroller at strømtilførselen på byggeplassen, enten den kommer fra strømmettet eller fra en generator, alltid er utstyrt med jordingsledere og jordfeilbrytere og at disse er tilkoblet.
- ▶ Ikke ta noe produkt i bruk uten disse sikkerhetstiltakene.

ADVARSEL

Fare på grunn av skadd ledning! Ikke ta på maskinens ledning eller skjøteledning hvis de skades under arbeid. Trekk støpslet ut av stikkkontakten.

- ▶ Kontroller maskinens tilførselsledning regelmessig, og sørg for at den blir skiftet av fagfolk hvis den blir skadd.

Få byggeledelsen til å godkjenne det fulle omfanget av arbeidene.

5.2.1 Meisling

1. Sett støpslet inn i stikkkontakten.
2. Sett meiselen i ønsket posisjon.
3. Trykk på av/på-bryteren.



Jobbing ved lave temperaturer:

Maskinen trenger en min. driftstemperatur før slagmekanismen fungerer. Dette oppnås ved å sette maskinen ned en kort stund og la den gå på tomgang. Hvis nødvendig, gjentas prosessen inntil slagmekanismen fungerer.

5.2.2 Slå av

1. Trykk på av/på-bryteren.
2. Trekk støpslet ut av stikkkontakten.

5.2.3 Arbeidsmerknader



Meiselen kan sperres i 6 ulike posisjoner (i trinn på 60°). Derfor kan man alltid finne den optimale arbeidsstillingen når man jobber med flat- og formmeisel.

- ▶ Sett an meiselen cirka 80-100 mm (3 1/8" - 4") fra kanten.
- ▶ I armeringsjern føres alltid meiselen mot kanten av materialet, ikke mot armeringsjernet.
- ▶ Begynn meislingen med en vinkel på 70° til 80° til betongoverflaten og rett spissen mot kanten. Beveg deretter vinkelen i retning 90° og brekk av materialet.
- ▶ Drei meiselen regelmessig, ettersom jevn nedslittethet støtter selvslipingsprosessen.
- ▶ For lavt presstrykk fører til at meiselen hopper. For høyt presstrykk fører til at meiseleeffekten blir mindre.

6 Ekstraustyr transportvogn

6.1 Transport

Transportvognen sikrer trygg transport av meiselhammeren.

- Sørg for at transportvognen står støtt.
- Sett maskinen på den tilhørende maskinfestetappen og sikre den alltid under transport med festeboyleen.
- Sett meiselen i den aktuelle holderen til den går i lås.
- Sørg for sikre transportveier.
- Ikke parker transportvognen på et skrått underlag.



7 Service og vedlikehold

ADVARSEL

Fare for elektrisk støt! Stell og vedlikehold med isatt nettstøpsel kan føre til alvorlige personskader og forbrenninger.

- Før alt stell og vedlikeholdsarbeid må nettstøpslet trekkes ut!

Pleie

- Fjern gjenstridig smuss forsiktig.
- Bruk en tørr børste for å gjøre rent ventilasjonsåpningene forsiktig.
- Rengjør huset bare med en lett fuktet klut. Ikke bruk silikonholdige pleiemiddel, da dette kan angripe plastdelene.

Vedlikehold

ADVARSEL

Fare for elektrisk støt! Ufagmessige reparasjoner på elektriske komponenter kan føre til alvorlig personskade og forbrenninger.

- Elektriske deler på maskinen må kun repareres av fagfolk.
- Kontroller alle synlige deler regelmessig mht. skade og alle betjeningselementene mht. feilfri funksjon.
- Ved skader og/eller funksjonsfeil må produktet ikke brukes. Få maskinen reparert av **Hilti** service snarest mulig.
- Etter stell- og vedlikeholdsarbeid må alle beskyttelsesinnretninger monteres, og det må foretas funksjonskontroll av dem.



Av hensyn til sikkerheten må du bare bruke originale reservedeler og forbruksmaterialer. Reservedeler, forbruksmaterialer og tilbehør til produktet, som er godkjent av oss, finner du hos **Hilti Store** eller under: www.hilti.group.

8 Feilsøking

Ved feil som ikke står i denne tabellen eller som du selv ikke kan rette opp, må du kontakte **Hilti Service**.


8.1 Feilsøkingstabell

Feil	Mulig årsak	Løsning
Maskinen starter ikke	Initialisering av elektronikken pågår (i ca. 4 sekunder fra støpslet settes inn)	► Slå maskinen av og på.
	Spenningsstilførselen er brutt	► Koble til et annet elektroverktøy, kontroller funksjonen.
	Nettkabel eller støpsel er defekt	► La en autorisert elektriker kontrollere og ev. foreta utskifting.
	Generator med Sleep Mode	► Belast generatoren med en andre forbruker (f.eks. bygg-lampe). Slå deretter maskinen på og av igjen.
Slageffekt uteblir	Maskinen er for kald	► Reduser driftstemperaturen til minimumsnivå.
	Skader på maskinen	► Få maskinen reparert av Hilti service.
Maskinen går ikke eller slår seg av under drift, og indikatoren blinker rødt	Midlertidig feil (f.eks. overoppheting eller overspenning)	► Slå av maskinen, la den avkjøles eller koble maskinen til en annen strømkilde.
Maskinen går, men indikatoren lyser konstant rødt	Servicevarsel	► Få service eller reparasjon utført av Hilti service.



Feil	Mulig årsak	Løsning
Maskinen går ikke eller slår seg av under drift	Skjøteledningen er for lang og/eller har for lite tverrsnitt	► Bruk skjøteledning med tillatt lengde og tilstrekkelig dimensjonert tverrsnitt.
	Den avtagbare nettkabelen ikke riktig satt i.	► Koble den avtagbare nettkabelen riktig til elektroverktøyet.

9 Avhending

 **Hilti** maskiner er i stor grad laget av resirkulerbart materiale. En forskriftsmessig materialsortering er en forutsetning for resirkulering. I mange land tar **Hilti** din gamle maskin i retur. Spør **Hilti** kundeservice eller forhandleren din.



- Kast aldri elektroverktøy, elektronisk utstyr eller batterier i husholdningsavfallet!

10 RoHS (direktiv for begrensning av bruk av farlige stoffer)

Under følgende lenke finner du tabellen over farlige stoffer: qr.hilti.com/r6025050.

Du finner en lenke til RoHS-tabellen helt til slutt i denne dokumentasjonen som QR-kode.

11 Produsentgaranti

- Når det gjelder spørsmål om garantibetingelser, ber vi deg kontakte din lokale **Hilti**-partner.



1 Dokumentaation tiedot

1.1 Tästä dokumentaatiosta

- Lue ehdottomasti tämä dokumentaatio ennen tuotteen käyttöönottoa. Se on turvallisen työnteon ja tuotteen ongelmattoman käsittelyn perusedellytys.
- Noudata tässä dokumentaatiossa ja tuotteessa olevia turvallisuus- ja varoitushuomautuksia.
- Säilytä käyttöohje aina tuotteen yhteydessä ja varmista, että käyttöohje on mukana, kun luovutat tuotteen toiselle henkilölle.

1.2 Merkkien selitykset

1.2.1 Varoitushuomautukset

Varoitushuomautukset varoittavat tuotteen käyttöön liittyvistä vaaroista. Seuraavia varoitustekstejä käytetään:

VAKAVA VAARA

VAKAVA VAARA !

- ▶ Varoittaa uhkaavasta vaaratilanteesta, josta voi seurauksena olla vakava loukkaantuminen tai jopa kuolema.

VAARA

VAARA !

- ▶ Varoittaa mahdollisesta vaarasta, josta voi seurauksena olla vakava loukkaantuminen tai kuolema.

VAROITUS

VAROITUS !

- ▶ Varoittaa mahdollisesta vaaratilanteesta, josta voi seurata loukkaantuminen tai aineellinen vahinko.

1.2.2 Symbolit dokumentaatiossa

Tässä dokumentaatiossa käytetään seuraavia symboleita:

	Lue käyttöohje ennen käyttämistä
	Toimintaohjeita ja muuta hyödyllistä tietoa
	Kierrätyskelpoisten materiaalien käsittely
	Älä hävitä sähkölaitteita ja akkuja tavallisen sekajätteen mukana

1.2.3 Symbolit kuvissa

Kuvissa käytetään seuraavia symboleita:

	Nämä numerot viittaavat vastaavaan kuvaan tämän käyttöohjeen alussa
	Numerointi kertoo työvaiheiden järjestyksen kuvissa ja saattaa poiketa numeroinnista tekstissä
	Kohtanumeroita käytetään kuvassa Yleiskuva , ja ne viittaavat kuvatekstien numerointiin kappa- leessa Tuoteyhteenveto
	Tämän merkin tarkoitus on kiinnittää erityinen huomiosi tuotteen käyttöön ja käsittelyyn.

1.3 Tuotekohtaiset symbolit

1.3.1 Symbolit tuotteessa

Tuotteessa käytetään seuraavia symboleita:

	Suojausluokka II (kaksinkertainen eristys)
--	--





1.4 Tuotetiedot

HILTI -tuotteet on tarkoitettu ammattikäyttöön, ja niitä saa käyttää, huoltaa tai korjata vain valtuutettu, koulutettu henkilö. Käyttäjän pitää olla hyvin perillä käyttöön liittyvistä vaaroista. Tuote ja sen varusteet saattavat aiheuttaa vaaratilanteita, jos kokemattomat henkilöt käyttävät tuotetta ohjeiden vastaisesti tai muutoin asiattomasti.

Tyypimerkinnän ja sarjanumeron löydät tyypikilvestä.

- Kirjoita sarjanumero oikeeseen taulukkoon. Tuotteen tiedot tarvitaan, jos esität kysymyksiä myynti- tai huoltoedustajallemme.

Tuotetiedot

Piikkkausvasara	TE 2000-AVR
Sukupuoli	01
Sarjanumero	

1.5 Vaatimustenmukaisuusvakuutus

Vakuutamme, että tässä kuvattu tuote täyttää voimassa olevien direktiivien ja standardien vaatimukset. Kuva vaatimustenmukaisuusvakuutuksesta on tämän dokumentaation lopussa.

Tekninen dokumentaatio löytyy tästä:

Hilti Entwicklungsgesellschaft mbH | Zulassung Geräte | Hiltistraße 6 | 86916 Kaufering, DE

2 Turvallisuus

2.1 Sähkötyökaluja koskevat yleiset turvallisuusohjeet

⚠ VAKAVA VAARA Lue kaikki turvallisuus- ja käyttöohjeet. Turvallisuus- ja käyttöohjeiden noudattamatta jättäminen saattaa johtaa sähköiskuun, tulipaloon ja/tai vakavaan loukkaantumiseen.

Säilytä kaikki turvallisuus- ja käyttöohjeet huolellisesti vastaisen varalle.

Työpaikan turvallisuus

- **Pidä työskentelyalue siistinä ja hyvin valaistuna.** Työpaikan epäjärjestys ja valaisemattomat työalueet voivat johtaa tapaturmiin.
- **Älä käytä sähkötyökalua räjähdyssaltiliissa ympäristössä, jossa on syttyvää nestettä, kaasua tai pölyä.** Sähkötyökalut synnyttävät kipinöitä, jotka saattavat sytyttää pölyn tai höyryt.
- **Pidä lapset ja sivulliset loitolla sähkötyökalua käyttäessäsi.** Voit menettää koneen hallinnan huomiosi suuntautuessa muualle.

Sähköturvallisuus

- **Sähkötyökalun pistokkeen pitää sopia pistorasiaan. Pistoketta ei saa muuttaa millään tavalla. Älä käytä pistorasia-adaptoreita suojamaadotettujen sähkötyökalujen yhteydessä.** Alkuperäisessä kunnossa olevat pistokkeet ja sopivat pistorasiat vähentävät sähköiskun vaaraa.
- **Vältä koskettamasta sähköä johtaviin pintoihin kuten putkiin, pattereihin, liesiin ja jääkaappeihin.** Sähköiskun vaara kasvaa, jos kehosi maadottuu.
- **Älä aseta sähkötyökalua alttiiksi sateelle tai kosteudelle.** Veden tunkeutuminen sähkötyökalun sisään lisää sähköiskun vaaraa.
- **Älä kanna tai ripusta sähkötyökalua verkkojohdostaan äläkä vedä pistoketta irti pistorasiasta johdosta vetämällä. Pidä johto loitolla kuumuudesta, öljystä, terävistä reunoista ja liikkuvista osista.** Vahingoittuneet tai toisiinsa kietoutuneet johdot lisäävät sähköiskun vaaraa.
- **Kun käytät sähkötyökalua ulkona, käytä ainoastaan ulkokäyttöön soveltuvaa jatkojohtoa.** Ulkokäyttöön soveltuvan jatkojohdon käyttö pienentää sähköiskun vaaraa.
- **Jos sähkötyökalua on välttämätöntä käyttää kosteassa ympäristössä, käytä vikavirtasuojakytkintä.** Vikavirtasuojakytkimen käyttö pienentää sähköiskun vaaraa.

Henkilöturvallisuus

- **Ole valpas, kiinnitä huomiota työskentelyysi ja noudata tervettä järkeä sähkötyökalua käyttäessäsi. Älä käytä sähkötyökalua, jos olet väsynyt tai huumeiden, alkoholin tai lääkkeiden vaikutuksen alaisena.** Sähkötyökalua käytettäessä hetkellinenkin varomattomuus saattaa aiheuttaa vakavia vammoja.



- ▶ **Käytä henkilökohtaisia suojavarusteita ja aina suojalaseja.** Henkilökohtaiset suojavarusteet, kuten hengityssuojain, luistamattomat turvajalkineet, kypärä ja kuulosuojaimet, pienentävät oikein käytettyinä loukkaantumisriskiä sähkötyökalun käyttötilanteesta riippuen.
- ▶ **Varo tahatonta käynnistämistä. Varmista, että sähkötyökalu on kytketty pois päältä, ennen kuin liität siihen akun, otat sen käteesi tai kannat sitä.** Jos kannat sähkötyökalua sormi käyttökytkimellä tai liität pistokkeen pistorasiaan käyttökytkimen ollessa käyntiasennossa, altistat itsesi onnettomuuksille.
- ▶ **Poista kaikki säätötyökalut ja ruuvitalat, ennen kuin käynnistät sähkötyökalun.** Työkalu tai avain, joka sijaitsee sähkötyökalun pyörivässä osassa, saattaa johtaa loukkaantumiseen.
- ▶ **Vältä vaikeita työskentelyasentoja. Varmista aina tukeva seisoma-asento ja tasapaino.** Siten voit paremmin hallita sähkötyökalua odottamattomissa tilanteissa.
- ▶ **Käytä työhösi soveltuvia vaatteita. Älä käytä löysiä työvaatteita tai koruja. Pidä hiukset, vaatteet ja käsineet loitolla liikkuvista osista.** Väljät vaatteet, korut ja pitkät hiukset voivat takertua liikkuviin osiin.
- ▶ **Jos pölynpoisto- ja keräilylaitteita voidaan asentaa, sinun on tarkastettava, että ne on liitetty oikein ja että niitä käytetään oikealla tavalla.** Pölynpoistovarustuksen käyttö vähentää pölyn aiheuttamia vaaroja.

Sähkötyökalun käyttö ja käsittely

- ▶ **Älä ylikuormita konetta. Käytä kyseiseen työhön tarkoitettua sähkötyökalua.** Sopivaa sähkötyökalua käyttäen työskentelet paremmin ja varmemmin tehoalueella, jolle sähkötyökalu on tarkoitettu.
- ▶ **Älä käytä sähkötyökalua, jonka käyttökytkin ei toimi.** Sähkötyökalu, jota ei enää voida käynnistää ja joka sijaitsee käyttökytkimellä, on vaarallinen ja se täytyy korjata.
- ▶ **Irrota pistoke pistorasiasta, ennen kuin suoritat säätöjä, vaihdat tarvikkeita tai siirrä koneen varastoitavaksi.** Tämä turvatoimenpide estää sähkötyökalun tahattoman käynnistysriskin.
- ▶ **Säilytä sähkötyökalut poissa lasten ulottuvilta, kun niitä ei käytetä. Älä anna toisten henkilöiden käyttää sähkötyökalua, elleivät he ole perehtyneet sen käyttöön ja lukeneet käyttöohjeita.** Sähkötyökalut ovat vaarallisia, jos niitä käyttävät kokemattomat henkilöt.
- ▶ **Hoida sähkötyökalujasi huolella. Tarkasta, että liikkuvat osat toimivat moitteettomasti eivätkä ole puristuksissa, ja tarkasta myös, ettei sähkötyökalussa ole murtuneita tai vaurioituneita osia, jotka saattaisivat haitata sen toimintaa. Korjauta vaurioituneet osat ennen työkalun käyttämistä.** Usein loukkaantumisten ja tapaturmien syynä on sähkötyökalujen laiminlyöty huolto.
- ▶ **Pidä terät terävinä ja puhtaina.** Huolella hoidetut terät, joiden leikkauseunat ovat teräviä, eivät jumitu herkästi, ja niillä työnteko on kevyempää.
- ▶ **Käytä sähkötyökalua, lisävarusteita ja tarvikkeita, teriä jne. niiden käyttöohjeiden mukaisesti. Ota tällöin työolosuhteet ja suoritettava työtehtävä huomioon.** Sähkötyökalun käyttö muuhun kuin sille tarkoitettuun käyttöön saattaa johtaa vaarallisiin tilanteisiin.

Huolto

- ▶ **Anna koulutettujen ammattihenkilöiden korjata sähkötyökalusi ja hyväksy korjauksiin vain alkupe- räisiä varaosia.** Siten varmistat, että sähkötyökalu säilyy turvallisena.

2.2 Poravasaroita koskevat turvallisuusohjeet

- ▶ **Käytä kuulosuojaimia.** Melu saattaa heikentää kuuloasi.
- ▶ **Käytä koneen mukana toimitettuja lisäkäsikahvoja.** Koneen hallinnan menettäminen saattaa aiheuttaa loukkaantumisia.
- ▶ **Pidä koneesta kiinni vain sen eristetyistä kahvapinnoista, jos teet työtä, jossa sähkötyökalun terä saattaa osua rakenteen sisällä olevaan virtajohtoon tai koneen verkkojohtoon.** Jos terä osuu virtajohtoon, koneen metalliosiin saattaa johtua virta, jolloin saatat saada sähköiskun.

2.3 Lisää piikkausvasaran turvallisuusohjeita

Henkilöturvallisuus

- ▶ Käytä vain tuotetta, joka on teknisesti moitteettomassa kunnossa.
- ▶ Älä koskaan tee koneeseen minkäänlaisia muutoksia.
- ▶ Kattoa, seinää ja lattiaa piikattaessa varmista turvallinen ja varma pystyssä pysyminen. Kohteen äkillinen murtuminen voi suistaa sinut tasapainosta!
- ▶ Kun teet reikiä, varmista työstettävän kohdan taustapuoli. Putoamaan tai sinkoutumaan pääsevät palaset voivat aiheuttaa muille vammoja.
- ▶ Koneen käyttämisen aikana käyttäjän ja välittömässä läheisyydessä olevien henkilöiden on käytettävä soveltuvia suojalaseja, suojakypärää, kuulosuojaimia, suojakäsineitä ja kevyttä hengityssuojainta.
- ▶ Käytä työkaluterän vaihdossa suojakäsineitä. Työkaluterän koskettaminen saattaa aiheuttaa haavoja ja palovammoja.



- ▶ Käytä suojalaseja. Sirpaleet saattavat aiheuttaa vammoja ja vahingoittaa silmiä.
- ▶ Selvitä työssä syntyvän pölyn vaarallisuus ennen työn aloittamista. Käytä rakennustyömaakäyttöön hyväksyttyä pölynimuria, joka täyttää viralliset pölysuojaluokitusmääräykset. Tiettyjen materiaalien kuten lyijypitoisen maalin, joidenkin puulajien, kvartsia sisältävän betonin / muurauksen / kivetyksen ja mineraalien sekä metallien pölyt voivat olla terveydelle vaarallisia.
- ▶ Varmista työpisteen hyvä tuuletus ja tarvittaessa käytä hengityssuojainta, joka soveltuu kyseessä olevalla pölylle. Pölyjen ihokosketus tai hengittäminen saattaa aiheuttaa allergisia reaktioita ja/tai hengitystiesairauksia koneen käyttäjälle tai lähellä oleville henkilöille. Tietty pölyt kuten tammen tai pyökin pöly on luokiteltu syöpää aiheuttaviksi, erityisesti jos niihin liittyy puunkäsittelyn lisäaineita (kromaatti, puunsuoja-aineet). Asbestia sisältäviä materiaaleja saavat työstää vain erikoiskoulutetut henkilöt.
- ▶ Pidä työssäsi taukoja, joiden aikana tee sormivoimisteluliikkeitä varmistaaksesi sormiesi hyvän verenkierron. Pitempään jatkuva työnteko saattaa tärinän vuoksi aiheuttaa verenkiertohäiriöitä tai sormien, käsien ja ranteiden hermokipuja.

Sähköturvallisuus

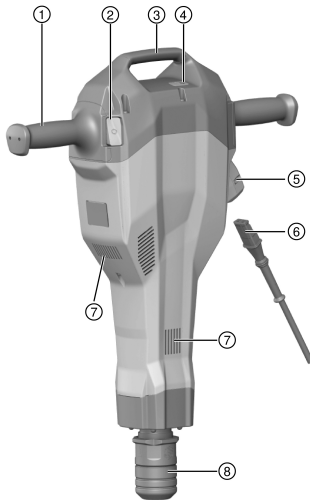
- ▶ Tarkasta ennen työn aloittamista, onko työskentelyalueella rakenteiden sisälle asennettuja sähköjohtoja tai kaasu- ja vesiputkia. Koneen ulkopinnan metalliosista saatat saada sähköiskun, jos vahingossa osut sähköjohtoon.

Sähkötökalujen käyttö ja hoito

- ▶ Odota, että sähkötyökalu on täysin pysähtynyt, ennen kuin lasket sen kädestäsi.

3 Kuvaus

3.1 Yhteenveto TE 2000-AVR



- ① Käsikahva
- ② Käyttökytkin
- ③ Kantokahva
- ④ Huoltotarpeen merkkivalo
- ⑤ Verkkopistoke
- ⑥ Irrotettava verkkojohto
- ⑦ Jäähdytysilmaraot
- ⑧ Istukka

3.2 Kuljetusvaunun yhteenveto

- ① Kahva
- ② Lukituskaari
- ③ Työkalujen (piikkausterien) teline
- ④ Pyörät
- ⑤ Pyörälukko (levy, sokka)
- ⑥ Koneen kiinnitystappi



3.3 Tarkoituksenmukainen käyttö

Kuvattu tuote on käsiohjattava piikkausvasara. Se on tarkoitettu betonin, tiilen, muurauksen ja asfaltin piikkaustöihin. Sitä voidaan käyttää myös juntaamiseen ja kaivamiseen.

Koneen saa liittää vain verkkovirtaan, jonka jännite ja taajuus vastaavat koneen tyyppikilvessä olevia tietoja.

3.4 Ennakoitavissa oleva virheellinen käyttö

- Konetta saa käyttää vain kuivassa ympäristössä.
- Älä käytä konetta paikoissa, joissa on tulipalo- tai räjähdysvaara.
- Terveydelle vaarallisia materiaaleja (esimerkiksi asbesti) ei saa työstää.

3.5 Active Vibration Reduction

Tuotteessa on Active Vibration Reduction (AVR) -järjestelmä, joka merkittävästi vähentää tärinää.

3.6 Huoltotarpeen merkkivalo

Piikkausvasarassa on huoltotarpeen merkkivalo.

Tila	Merkitys
Huoltotarpeen merkkivalo palaa punaisena.	Käyttöajan perusteella huolto on tullut ajankohtaiseksi. Vie kone ajoissa Hilti -huoltoon, jotta kone on aina käyttövalmis. Kone vaurioitunut.
Huoltotarpeen merkkivalo vilkkuu punaisena.	Ylikuumentumisuoja Tuleva jännite on liian suuri.

3.7 Toimituksen sisältö

Piikkausvasara, irrotettava verkkojohto, käyttöohje, rasvaa. Kuljetusvaunu on saatavissa lisävarusteena.

Muita tälle tuotteelle hyväksytyjä järjestelmätuotteita löydät **Hilti**-edustajalta tai internetistä osoitteesta: www.hilti.group

4 Tekniset tiedot

4.1 Piikkausvasara



Nimellisjännitteen, nimellisvirran, verkkovirran taajuuden ja/tai nimellisottotehon näet maakohtaisesta tyyppikilvestä.

Jos konetta käytetään generaattoriin tai muuntajaan liitettynä, generaattorin tai muuntajan antotehon pitää olla vähintään kaksi kertaa niin suuri kuin koneen tyyppikilpeen merkitty nimellisottoteho. Muuntajan tai generaattorin käyttöjännitteen pitää aina olla rajoissa +5 % ja -15 % koneen nimellisjännitteestä.

	TE 2000-AVR
Paino EPTA 01 mukaan	14,5 kg
Iskuluku	30 Hz
Suojausluokka	II

4.2 Melutiedot ja tärinäarvot EN 60745 mukaan

Tässä käyttöohjeessa annetut äänenpaine- ja tärinäarvot on mitattu standardoitujen mittausmenetelmien mukaisesti, ja näitä arvoja voidaan käyttää sähkötyökalujen vertailussa. Ne soveltuvat myös altistumisten tilapäiseen arviointiin. Annetut arvot koskevat sähkötyökalun pääasiallisia käyttötarkoituksia. Jos sähkötyökalua kuitenkin käytetään muihin tarkoituksiin, poikkeavia työkaluja tai teriä käyttäen tai puutteellisesti huollettuna, arvot voivat poiketa tässä ilmoitetuista. Tämä saattaa merkittävästi lisätä altistumista koko työskentelyajan aikana. Altistumisia tarkasti arvioitaessa on otettava huomioon myös ne ajat, jolloin kone on kytketty pois päältä tai jolloin kone on päällä, mutta sillä ei tehdä varsinaista työtä. Tämä saattaa merkittävästi vähentää altistumista koko työskentelyajan aikana. Käyttäjän suojaamiseksi melun ja/tai tärinän vaikutukselta ryhdy



tarpeellisiin turvatoimenpiteisiin kuten: Sähkötyökalun ja siihen kiinnitettävien työkaluterien huolto, käsien lämpimänä pitäminen, työtehtävien organisointi.

Melupäästöarvot

Mitattu äänitehotaso (L_{WA})	97 dB(A)
Taattu äänitehotaso ($L_{WA,d}$)	100 dB(A)
Äänitehotason epävarmuus (K_{WA})	3 dB(A)
Melupäästön äänenpainetaso (L_{pA})	77 dB(A)
Äänenpainetaso epävarmuus (K_{pA})	3 dB(A)

Tärinäarvot

Piikkaaminen ($a_{h, Cheq}$)	4,8 m/s ²
Epävarmuus (K)	1,5 m/s ²

5 Käyttö

5.1 Työkohteen valmistelu

VAROITUS

Loukkaantumiswaara! Tuotteen käynnistyminen vahingossa.

- Irrota pistoke verkkopistorasiasta, ennen kuin muutat koneen säätöjä tai vaihdat lisävarusteosia.

Noudata tässä dokumentaatiossa ja tuotteessa olevia turvallisuus- ja varoitushuomautuksia.

5.1.1 Verkkojohdon liittäminen koneeseen

Irrotettavan pistokkeen saa liittää tuotteeseen vain, kun pistoke on puhdas, kuiva ja jännitteetön. Liitoksessa on koodausmuoto.

1. Ota verkkojohto esille kuljetuspakkauksesta.
2. Liitä pistoke koneeseen siten, että se kuuluvasti lukittuu.
3. Liitä verkkopistoke verkkopistorasiaan.

5.1.2 Työkaluterän kiinnitys

1. Irrota verkkopistoke verkkopistorasiasta.
2. Rasvaa työkaluterän istukkapää kevyesti.
 - ☛ Käytä vain alkuperäistä **Hilti**-rasvaa. Vääränlainen rasva voi vaurioittaa konetta.
3. Laita työkaluterä istukkaan ja kierrä työkaluterää hiukan painaen siten, että se kuuluvasti lukittuu kiinni.
4. Tarkasta työkaluterän kunnollinen lukittuminen vetämällä työkaluterästä.

5.1.3 Työkaluterän irrotus

VAROITUS

Loukkaantumiswaara! Työkaluterä voi olla kuuma ja/tai teräväreunainen.

- Käytä suojakäsineitä, kun vaihdat työkaluterää.
- Älä koskaan laske työkaluterää syttyvälle alustalle.

1. Irrota verkkopistoke verkkopistorasiasta.
2. Vedä työkaluterän lukitsin taaksepäin vasteeseen saakka.
3. Irrota työkaluterä.



5.2 Työskentely

VAARA

Sähköiskun aiheuttama vaara! Jos maadotusjohdin ja vikavirtasuojakytkin puuttuvat, seurauksena voi olla vakavia loukkaantumisia ja palovammoja.

- ▶ Varmista, että rakennustyömaan virtajohdossa, joka tulee joko sähköverkosta tai generaattorilta, on aina olemassa ja liitettyä maadotusjohdin ja vikavirtasuojakytkin.
- ▶ Älä käytä tuotetta, elleivät nämä turvallisuustoimenpiteet ole kunnossa.

VAARA

Johdon vaurion aiheuttama vaara! Jos verkkojohto tai jatkojohto vaurioituu käytön aikana, älä kosketa johtoa. Irrota verkkopistoke verkkopistorasiasta.

- ▶ Tarkasta verkkojohdon kunto säännöllisesti, ja jos havaitset vaurioita, vaihdata verkkojohto erikoiskorjaamossa.

Hanki töiden koko laajuudelle työnjohdon suostumus!

5.2.1 Piikkaaminen

1. Liitä verkkopistoke verkkopistorasiaan.
2. Aseta piikkausterä haluamaasi asentoon.
3. Paina käyttökytkintä.



Koneen käyttö alhaisissa lämpötiloissa:

Koneen iskumekanismi vaatii toimiakseen tietyn minimilämpötilan. Jotta se saavutetaan, laske kone hetkeksi alustalle ja anna koneen käydä hetki tyhjäkäyntiä. Tarvittaessa toista tämä, kunnes iskumekanismi toimii.

5.2.2 Kytkeminen pois päältä

1. Paina käyttökytkintä.
2. Irrota verkkopistoke verkkopistorasiasta.

5.2.3 Työskentelyohjeita



Piikkaustyökalun voi kiinnittää 6 eri asentoon (60°:n välein). Näin latta- ja muotopiikkaustyökalun saa kiinnitettyä aina työn kannalta sopivimpaan asentoon.

- ▶ Aseta piikkausterä noin 80-100 mm:n (3 1/8" - 4") päähän reunasta.
- ▶ Jos piikattavassa materiaalissa on raudoitusta, ohjaa piikkausterä aina materiaalin reunaa vasten, älä raudoitusta vasten.
- ▶ Aloita piikkaaminen piikkausterä 70° - 80° kulmassa betonin pintaan nähden ja suuntaa kärki reunaa kohti. Käännä sitten kulmaa suuntaan 90° ja murra materiaali irti.
- ▶ Käännä piikkausterä säännöllisiin väleihin, koska tasainen kuluminen tehostaa itseteroittumista.
- ▶ Liian pieni painamisvoima johtaa piikkausterän hyppimiseen. Liian suuri painamisvoima alentaa piikkaus-tehoa.

6 Lisävaruste kuljetusvaunu

6.1 Kuljettaminen

Kuljetusvaunu on piikkausvasaran turvallinen kuljetusvaihtoehto.

- Varmista, että kuljetusvaunu pysyy turvallisesti pystyssä.
- Laita kone sille tarkoitettuun kiinnitystappiin ja varmista kiinnityskaarella koneen pysyminen paikallaan kuljetusvaunussa.
- Aseta piikkausterät terien kannattimeen siten, että ne lukittuvat paikoilleen.
- Varmista kuljetusreittien turvallisuus.
- Älä jätä kuljetusvaunua kaltevalle pinnalle.



7 Huolto, hoito ja kunnossapito

VAARA

Sähköiskun vaara! Hoito- ja kunnostustöiden suorittaminen pistoke pistorasiaan liitettynä voi johtaa vakaviin loukkaantumisiin ja palovammoihin.

- Irrota pistoke verkkopistorasiasta aina ennen hoito- ja kunnostustöitä!

Huolto ja hoito

- Poista pinttynyt lika varovasti.
- Puhdista jäähdytysilmaraat varovasti kuivalla harjalla.
- Käytä kotelon puhdistamiseen vain kevyesti kostutettua kangasta. Älä käytä silikonia sisältäviä hoitoaineita, sillä ne voivat vaurioittaa muoviosia.

Kunnossapito

VAARA

Sähköiskun aiheuttama vaara! Sähköosien asiantuntemattomat korjaukset voivat aiheuttaa vakavia loukkaantumisia ja palovammoja.

- Sähköosien korjaustyöt saa tehdä ainoastaan valtuutettu sähköasentaja.
- Tarkasta säännöllisin välein kaikkien näkyvien osien mahdolliset vauriot ja käyttöelementtien moitteeton toiminta.
- Jos havaitset vaurioita ja / tai toteat toimintahäiriöitä, älä käytä tuotetta. Korjauta heti **Hilti**-huollossa.
- Hoito- ja kunnostustöiden jälkeen kiinnitä kaikki suojalaitteet ja tarkasta niiden toiminta.



Käyttöturvallisuuden varmistamiseksi käytä vain alkuperäisiä varaosia ja käyttömateriaaleja. Tälle tuotteelle hyväksytyjä varaosia, kulutusmateriaaleja ja lisävarusteita löydät **Hilti Store** -liikkeestä tai osoitteesta: www.hilti.group.

8 Apua häiriötilanteisiin

Häiriöissä, joita ei ole kuvattu tässä taulukossa tai joita et itse pysty poistamaan, ota yhteys **Hilti**-huoltoon.


8.1 Häiriötilanetaulukko

Häiriö	Mahdollinen syy	Ratkaisu
Kone ei käynnisty	Elektroniikan perusasetus on käynnissä (kestää noin 4 sekuntia pistokkeen liittämisen jälkeen)	► Kytke kone pois päältä ja uudelleen päälle.
	Katkos verkkojännitteen saannissa	► Liitä toinen sähkötyökalu ja tarkasta toiminta.
	Verkkojohto tai pistoke rikki	► Tarkastuta ja tarvittaessa vaihdata ammattitaitoisessa erikoiskorjaamossa.
	Generaattori jossa Sleep Mode	► Kuormita generaattoria toisella kuluttimella (esimerkiksi työmaalampulla). Kytke sitten kone päälle ja taas pois päältä.
Ei iskua	Kone on liian kylmä	► Anna koneen lämmetä minimilämpötilaansa.
	Vaurio koneessa	► Korjauta kone Hilti -huollossa.
Kone ei käynnisty tai kytketty käytön aikana pois päältä ja merkkivalo vilkkuu punaisena	Hetkellinen vika (esimerkiksi ylikuumentuminen tai ylijännite)	► Kytke kone pois päältä, anna kokneen jäähtyä tai liitä kone toiseen virtalähteeseen.
Kone käynnistyy, mutta merkkivalo palaa punaisena	Huoltotarpeen varoitus	► Teetä huolto- ja korjaustyöt Hilti -huollossa.
Kone ei käynnisty tai kytketty käytön aikana pois päältä	Jatkojohto liian pitkä tai sen poikkipinta-ala on liian pieni	► Käytä jatkojohtoa, jonka pituus on sallittu ja poikkipinta-ala riittävä.



Häiriö	Mahdollinen syy	Ratkaisu
Kone ei käynnisty tai kytkeytyy käytön aikana pois päältä	Irrotettava verkkojohto ei ole kunnolla kiinni.	► Liitä irrotettava verkkojohto oikein sähkötyökaluun.

9 Hävittäminen

 **Hilti**-työkalut, -koneet ja -laitteet on pääosin valmistettu kierrätyskelpoisista materiaaleista. Kierrätyksen edellytys on materiaalien asianmukainen lajittelu. Useissa maissa **Hilti** ottaa vanhat koneet ja laitteet vastaan kierrätystä ja hävitystä varten. Lisätietoja saat **Hilti**-huollosta tai -edustajalta.



- Älä hävitä sähkötyökaluja, elektronisia laitteita ja akkuja tavallisen sekajätteen mukana!

10 RoHS (vaarallisten aineiden käytön rajoittamisen direktiivi)

Vaarallisten aineiden taulukon löydät seuraavasta linkistä: qr.hilti.com/r6025050.
Linkki RoHS-taulukkoon on tämän dokumentaation lopussa QR-koodina.

11 Valmistajan myöntämä takuu

- Jos sinulla on takuehtoihin liittyviä kysymyksiä, ota yhteys paikalliseen **Hilti**-edustajaan.



1 Andmed dokumentatsiooni kohta

1.1 Kasutusjuhend

- Enne seadme kasutuselevõttu lugege see kasutusjuhend läbi. See on ohutu kasutamise ja tõrgeteta töö eeldus.
- Järgige kasutusjuhendis esitatud ja tootele märgitud ohutusnõudeid ja hoiatusi.
- Hoidke kasutusjuhend alati seadme juures ja toote edasiandmisel teistele isikutele andke üle ka kasutusjuhend.

1.2 Märkide selgitus

1.2.1 Hoiatused

Hoiatused annavad märku toote kasutamisel tekkivatest ohtudest. Kasutatakse alljärgnevaid märksõnu:



OHT

OHT !

- ▶ Võimalikud ohtlikud olukorrad, mis võivad põhjustada kasutaja raskeid kehavigastusi või hukkamist.



HOIATUS

HOIATUS !

- ▶ Võimalik ohtlik olukord, mis võib põhjustada kasutaja raskeid kehavigastusi või hukkamist.



ETTEVAATUST

ETTEVAATUST !

- ▶ Võimalikud ohtlikud olukorrad, millega võivad kaasnedna kergemad kehavigastused või varaline kahju.

1.2.2 Kasutusjuhendis kasutatud sümbolid

Selles dokumendis kasutatakse järgmisi sümboleid.

	Lugege enne kasutamist läbi kasutusjuhend!
	Soovitused seadme kasutamiseks ja muu kasulik teave
	Taaskasutatavate materjalide käsitsemine
	Elektriseadmeid ja akusid ei tohi visata olmejäätmete hulka.

1.2.3 Joonistel kasutatud sümbolid

Joonistel kasutatakse järgmisi sümboleid.

	Numbrid viitavad vastavatele joonistele kasutusjuhendi alguses
3	Numeratsioon kajastab tööetappide järjekorda pildi kujul ja võib tekstis kirjeldatud tööetappidest erineda
	Positsiooninumbreid kasutatakse ülevaatejoonisel ja need viitavad selgituste numbritele toote ülevaates
	See märk näitab, et toote käsitsemisel tuleb olla eriti tähelepanelik.

1.3 Tootest sõltuvad sümbolid

1.3.1 Sümbolid tootel

Tootel kasutatakse järgmisi sümboleid.

	Kaitseklass II (topeltisolatsioon)
	Hoolduse indikaatorituli



1.4 Tooteinfo

HILTI tooted on ette nähtud professionaalsele kasutajale ja neid tohivad käsitseda, hooldada ja korras hoida ainult volitatud ja asjaomase väljaõppega isikud. Nimetatud personal peab olema teadlik kõikidest kaasnevatest ohtudest. Seade ja sellega ühendatavad abivahendid võivad osutada ohtlikuks, kui neid ei kasutata nõuetekohaselt või kui nendega töötab vastava väljaõppeta isik.

Tüübitähis ja seerianumber on tüübisildil.

- Kandke seerianumber järgmise tabelisse. Andmeid toote kohta vajate meie esindusele või hooldekeskusele päringute esitamisel.

Toote andmed

Piikvasar	TE 2000-AVR
Põlvkond	01
Seerianumber	

1.5 Vastavusdeklaratsioon

Kinnitame ainuvastutajana, et käesolevas kasutusjuhendis kirjeldatud seade vastab kehtivate direktiivide ja standardite nõuetele: Vastavusdeklaratsiooni ära kirja leiate käesoleva kasutusjuhendi lõpust.

Tehnilised dokumendid on saadaval:

Hilti Entwicklungsgesellschaft mbH | Zulassung Geräte | Hiltistraße 6 | 86916 Kaufering, DE

2 Ohutus

2.1 Üldised ohutusnõuded elektriliste tööriistade kasutamisel

⚠ HOIATUS Lugege läbi kõik ohutusnõuded ja juhised. Järgnevate ohutusnõuete eiramise tagajärjeks võib olla elektrilöökk, tulekahju ja/või rasked vigastused.

Hoidke kõik ohutusnõuded ja juhised edaspidiseks kasutamiseks alles.

Ohutus töökojal

- **Hoidke oma töökoht puhas ja valgustage seda korralikult.** Korrastamata ja valgustamata töökoht võib põhjustada õnnetusi.
- **Ärge kasutage elektritööriista plahvatusohtlikus keskkonnas, kus leidub tuleohtlikke vedelikke, gaase või tolmu.** Elektrilistest tööriistadest lööb sädemeid, mis võivad tolmu või auru süüdata.
- **Hoidke lapsed ja kõik kõrvalised isikud töökohest eemal.** Kui Teie tähelepanu juhitakse kõrvale, võib seade Teie kontrolli alt väljuda.

Elektriohutus

- **Elektrilise tööriista pistik peab pistikupesaga sobima. Pistiku kallal ei tohi teha mingeid muudatusi.** Kaitsemaandusega seadmete puhul ei tohi kasutada adapterpistikuid. Muutmata pistikud ja sobivad pistikupesad vähendavad elektrilöögi ohtu.
- **Vältige kehalist kontakti maandatud pindadega, näiteks torude, radiaatorite, pliitide ja külmikutega.** Kui Teie keha on maandatud, on elektrilöögi oht suurem.
- **Kaitske elektrilist tööriista vihma ja niiskuse eest.** Kui elektrilise tööriista sisemusse on sattunud vett, on elektrilöögi oht suurem.
- **Ärge kasutage toitejuhet elektrilise tööriista kandmiseks, ülesriputamiseks ega pistiku väljatõmbamiseks pistikupesast. Kaitske toitejuhet kuumuse, õli, teravate servade ja seadme liikuvate osade eest.** Kahjustatud või keerduläinud toitejuhtmed suurendavad elektrilöögi ohtu.
- **Kui töotate elektrilise tööriistaga vabas õhus, kasutage ainult pikendusjuhtmeid, mis on ette nähtud kasutamiseks ka välistingimustes.** Välistingimustes kasutamiseks ettenähtud pikendusjuhtme kasutamine vähendab elektrilöögi ohtu.
- **Kui seadmega töötamine niiskes keskkonnas on vältimatu, kasutage rikkevoolukaitselüliti.** Rikkevoolukaitselüliti kasutamine vähendab elektrilöögi ohtu.

Inimeste ohutus

- **Olge tähelepanelik, jälgige, mida teete, ning toimige elektrilise tööriistaga töötades kaalutletult.** Ärge töötage elektrilise tööriistaga, kui olete väsinud või alkoholi, narkootikumide või ravimite mõju all. Hetkeline tähelepanematus elektrilise tööriista kasutamisel võib põhjustada raskeid kehavigastusi ja varalist kahju.
- **Kasutage isikukaitsevahendeid ja kandke alati kaitseprille.** Isikukaitsevahendite, nt tolmumaski, libisemiskindlate turvajalatsite, kaitsekiivri või kuulmiskaitsevahendite kandmine (sõltuvalt elektrilise tööriista tüübist ja kasutusala) vähendab vigastusohu.



- ▶ **Vältige elektrilise tööriista soovimatut käivitumist! Enne elektrilise tööriista ühendamist vooluvõrguga, ülestõstmist ja kandmist veenduge, et elektriline tööriist on välja lülitatud.** Kui hoiate elektrilise tööriista kandmisel sõrme lülilil või ühendate vooluvõrku sisselülitatud tööriista, võib juhtuda tööõnnetus.
- ▶ **Enne elektrilise tööriista sisselülitamist eemaldage selle küljest seadistus- ja mutrivõtmed.** Elektrilise tööriista pöörleva osa küljes olev seadistus- või mutrivõti võib põhjustada vigastusi.
- ▶ **Vältige ebatavalist tööasendit! Võtke stabiilne tööasend ja säilitage alati tasakaal.** Nii saate elektrilist tööriista ootamatutes olukordades paremini kontrollida.
- ▶ **Kandke sobivat rõivastust. Ärge kandke laiu riideid ega ehteid! Hoidke juuksed, rõivad ja kindad seadme liikuvatest osadest eemal.** Lotendavad riided, ehted ja pikad juuksed võivad sattuda seadme liikuvate osade vahele.
- ▶ **Kui elektrilise tööriista külge on võimalik paigaldada tolmuemaldus- ja kogumisseadiseid, veenduge, et need on tööriistaga ühendatud ja et neid kasutatakse nõuetekohaselt.** Tolmuemaldusseadise kasutamine võib vähendada tolmu taset ning terviklikkust.

Elektrilise tööriista kasutamine ja käsitsemine

- ▶ **Ärge koormake seadet üle! Kasutage oma tööks sobivat elektritööriista.** See töötab ettenähtud jõudluspiirides tõhusamalt ja ohutumalt.
- ▶ **Ärge kasutage elektrilist tööriista, mille lüliti on rikkis!** Elektriline tööriist, mida ei saa enam lülitist korralikult sisse ja välja lülitada, on ohtlik ning tuleb viia parandusse.
- ▶ **Enne seadme reguleerimist, tarvikute vahetamist ja seadme hoiupeanekut tõmmake seadme pistik pistikupesast välja.** See ettevaatusabinõu hoiab ära seadme soovimatu käivitumise.
- ▶ **Kasutusvälisel ajal hoidke elektrilist tööriista lastele kättesaamatus kohas. Ärge lubage seadet kasutada isikutel, kes seda ei tunne või ei ole lugenud käesolevaid juhiseid.** Asjatundmatute isikute käes on elektrilised tööriistad ohtlikud.
- ▶ **Hooldage elektrilisi tööriistu korralikult. Kontrollige, kas seadme liikuvad detailid töötavad veatult ega kiilu kiini. Veenduge, et seadme detailid ei ole murdunud või kahjustatud määral, mis mõjutab seadme töökindlust. Laske kahjustatud osad enne seadme kasutamist parandada.** Ebapiisavalt hooldatud elektrilised tööriistad põhjustavad tööõnnetusi.
- ▶ **Hoidke löiketarvikud teravad ja puhtad.** Hästi hooldatud, teravate löikeservadega löiketarvikud kiiluvad harvemini kinni ja neid on lihtsam juhtida.
- ▶ **Kasutage elektrilist tööriista, tarvikuid ja lisatarvikuid vastavalt nendele juhiste. Arvestage seejuures töötingimuste ja tehtava töö iseloomuga.** Elektrilise tööriista kasutamine otstarbel, milleks see ei ole ette nähtud, võib põhjustada ohtlikke olukordi.

Hooldus

- ▶ **Laske elektrilist tööriista parandada ainult kvalifitseeritud spetsialistidel, kes kasutavad originaalvaruosi.** Nii on tagatud, et elektritööriista ohutus säilib.

2.2 Ohutusnõuded puurvasaratega töötamisel

- ▶ **Kandke kuulmiskaitsevahendeid.** Müra võib kahjustada kuulmist.
- ▶ **Kasutage tarnekomplekti kuuluvaid lisakäepidemeid.** Kontrolli kaotus seadme üle võib põhjustada vigastusi.
- ▶ **Kui teete töid, mille puhul võib tarvik tabada varjatud elektrijuhtmeid või omaenda toitejuhet, hoidke seadet üksnes käepidemete isoleeritud pindadest.** Kokkupuude pingestatud elektrijuhtmega võib seada pinge alla ka seadme metalldetailid ja põhjustada elektrilöögi.

2.3 Täiendavad ohutusnõuded Piikvasar

Inimeste turvalisus

- ▶ Kasutage toodet ainult siis, kui selle tehniline seisukord on veatu.
- ▶ Ärge kunagi muutke ega modifitseerige seadet.
- ▶ Lagede, seinte ja põrandate meiseldamisel võtke ohutu ja stabiilne asend. Äkiline läbimurre võib teid tasakaalust välja viia!
- ▶ Läbistavate tööde korral ümbritsege kaitsepiiridega töödeldava koha taha jääv ala. Väljamurtavad tüki võivad välja ja/või alla kukkuda ning teisi inimesi vigastada.
- ▶ Seadet kasutades kandke sobivaid kaitseprille, kaitsekiivrit, kuulmiskaitsevahendeid, kaitsekindaid ja kerget hingamisteede kaitsemaski ning veenduge, et seda teevad ka läheduses viibivad inimesed.
- ▶ Kandke ka tarvikut vahetades kaitsekindaid! Tarviku puudutamine võib tekitada löikehaavu ja põletusi.
- ▶ Kasutage kaitseprille. Materjalist väljalendavad killud võivad tekitada keha- ja silmavigastusi.



- ▶ Enne töö algust tehke kindlaks töötamisel tekkiva tolmu ohuklass. Kasutage ettenähtud kaitseklassi kuuluvat ehitustolmuimejat, mis vastab kehtivatele tolmukaitsenõuetele. Pliisisaldusega värvide, teatavat liiki puidu, betooni/müüritise/kvartsisisaldusega kivi, mineraalide ja metalli tolm võib kahjustada tervist.
- ▶ Tagage töökohal hea ventilatsioon ja vajaduse korral kandke tekkiva tolmu filtreerimiseks sobivat hingamisteede kaitsemaski. Kokkupuude tolmuga või tolmu sissehingamine võib põhjustada kasutajal või läheduses viibvatel isikutel allergilist reaktsiooni ja/või hingamisteede haigusi. Teatav tolm, nt tamme- või pöögitolm on kantserogeenne, seda eeskätt koosmõjus puidu töötlemise lisainetega (kromaat, puidukaitselahendid). Asbesti sisaldavate materjalide töötlemine on lubatud vaid asjaomase kvalifikatsiooniga isikutel.
- ▶ Tehke töopause ja liigutage sõrmi, et parandada nende verevarustust. Pikemaajaliste tööde korral võib vibratsioon tekitada probleeme sõrmede, käte ja randmeliigeste veresoontes ja närvisüsteemis.

Elektriõhusus

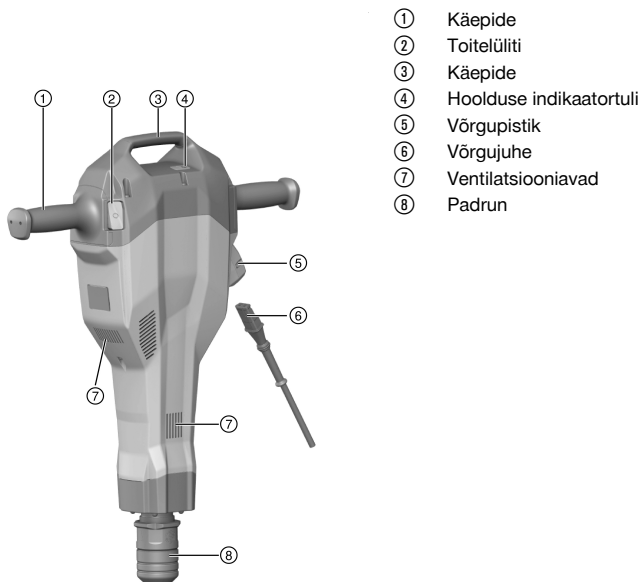
- ▶ Enne töö algust kontrollige tööpiirkond üle ja veenduge, et seal ei ole varjatud elektrijuhtmeid, gaasi- ega veetorusid. Seadme välised metalliosad võivad elektrijuhtme vigastamise korral tekitada elektrilöögi.

Elektriliste tööriistade hoolikas käsitlemine ja kasutamine

- ▶ Enne käestpanekut oodake, kuni tööriist on seiskunud.

3 Kirjeldus

3.1 Ülevaade TE 2000-AVR 1



3.2 Transpordikäru ülevaade 2

- | | |
|-----------------------------|---------------------------------|
| ① Käepide | ④ Rattad |
| ② Lukustuskaar | ⑤ Ratta kinnitus (seib, splint) |
| ③ Hoidik tarvikule (meisel) | ⑥ Seadme kinnitamise torn |



3.3 Eesmärgipärane kasutamine

Kirjeldatud toode on käsitsi juhitud piikvasar. See on ette nähtud betooni, müüritise ja asfaldi meiseldamiseks. Seda saab kasutada ka pinnase tihendamise- ja kaevetöödeks.

Seadet võib kasutada vaid siis, kui vooluvõrgu pinge ja sagedus ühtib seadme tüübisildil nimetatud võrgupinge ja sagedusega.

3.4 Ettenähtav väärkäsitsemine

- Seadet tohib kasutada üksnes kuivas keskkonnas.
- Ärge kasutage seadet tulekahju- ja plahvatusohu korral.
- Seadmega ei tohi töödelda tervisekahjulikke materjale (nt asbesti).

3.5 Active Vibration Reduction

Seade on varustatud Active Vibration Reduction (AVR) süsteemiga, mis vibratsiooni tuntavalt vähendab.

3.6 Hooldusnäit

Piikvasaral on võimsuse indikaatorituli, mis on varustatud valgussignaaliga.

Seisund	Tähendus
Hooldusnäit põleb punase tulega.	Käes on hoolduse tähtaeg. Toimetage toode õigeaegselt Hilti hooldekeskusse, nii on see alati töövalmis. Seade on kahjustada saanud.
Hooldusnäit vilgub punase tulega.	Ülekuumenemiskaitse Vooluvõrgu pinge on liiga kõrge.

3.7 Tarnekomplekt

Piikvasar, võrgujuhe, kasutusjuhend, määre. Teisaldamiskäru pakutakse lisatarvikuna.

Teised süsteemi kuuluvad tooted, mida on lubatud tööriistaga kasutada, leiate Hilti müügiesindusest või veebilehelt www.hilti.group

4 Tehnilised andmed

4.1 Piikvasar

Andmed nimipinge, nimivoolu, sageduse ja/või nimivõimsuse kohta leiate andmesildilt.

Generaatori või transformatori kasutamisel peab selle väljundvõimsus olema vähemalt kaks korda suurem kui seadme tüübisildile märgitud nimisindvõimsus. Transformaatori või generaatori tööpinge peab olema aegu aeg vahemikus + 5% ja - 15% seadme nimipingest.

	TE 2000-AVR
Kaal EPTA-Procedure 01 kohaselt	14,5 kg
Löökide arv	30 Hz
Kaitseklass	II

4.2 Andmed müra ja vibratsiooni kohta vastavalt standardile EN 60745

Käesolevas kasutusjuhendis toodud helirõhu- ja vibratsioonitase on mõõdetud standarditud mõõtemeetodil ning asjaomaseid näitajaid saab kasutada elektriliste tööriistade võrdlemiseks. Need sobivad ka müra- ja vibratsioonitaseme esialgseks hindamiseks. Toodud näitajad iseloomustavad elektrilise tööriista põhilisi ettenähtud töid. Kui aga elektrilist tööriista kasutatakse muul otstarbel, teiste tarvikutega või kui tööriista on ebapiisavalt hooldatud, võivad näitajad käesolevas juhendis toodud näitajatest kõrvale kalduda. See võib vibratsiooni- ja mürataset töötamise koguperioodil tunduvalt suurendada. Müra- ja vibratsioonitaseme täpseks hindamiseks tuleb arvesse võtta ka aega, mil tööriist oli välja lülitatud või küll sisse lülitatud, kuid tege-likult tööle rakendamata. See võib vibratsiooni- ja mürataset töötamise koguperioodil tunduvalt vähendada.



Seadme kasutaja kaitsmiseks müra ja/või vibratsiooni eest rakendage täiendavaid kaitseabinõusid, näiteks: hooldage seadet ja tarvikuid korralikult, hoidke käed soojad, tagage sujuv töökorraldus.

Müratase

Möödetud helivõimsustase (L_{WA})	97 dB(A)
Garanteeritud helivõimsustase ($L_{WA,G}$)	100 dB(A)
Helivõimsustaseme mõõtemääramatus (K_{WA})	3 dB(A)
Helirõhutase (L_{pA})	77 dB(A)
Helirõhutaseme mõõtemääramatus (K_{pA})	3 dB(A)

Andmed vibratsiooni kohta

Meiseldamine ($a_{h, Cheq}$)	4,8 m/s ²
Mõõtemääramatus (K)	1,5 m/s ²

5 Käsitsemine

5.1 Töö ettevalmistamine

ETTEVAATUST

Vigastuste oht! Seadme soovimatu käivitumine.

- ▶ Enne seadme seadistamist ja tarvikute vahetamist tõmmake pistik pistikupesast välja.

Järgige kasutusjuhendis esitatud ja tootele märgitud ohutusnõudeid ja hoiatusi.

5.1.1 Toitejuhtme ühendamine seadmega



Lahtiühendatavat pistikühendust tohib seadmega ühendada vaid siis, kui see on puhas, kuivas ja pingestamata. Ühendus on kodeeritud.

1. Võtke toitejuhe transpordipakendist välja.
2. Viige pistikühendus seadmesse, kuni lukustus kuuldavalt kohale fikseerub.
3. Ühendage võrgupistik pistikupesasse.

5.1.2 Tarviku paigaldamine

1. Tõmmake seadme võrgupistik pistikupesast välja.
2. Määrige tarviku padrunisse kinnitavat osa veidi.
 - ↳ Kasutage üksnes **Hilti** originaalmääret. Vale määre võib seadet kahjustada.
3. Asetage tarvik padrunisse ja keerake seda kerge survega, kuni see kuuldavalt kohale fikseerub.
4. Tõmmake tarvikust, et kontrollida, kas see on kindlalt kinni.

5.1.3 Tarviku eemaldamine

ETTEVAATUST

Vigastuste oht! Tarvik võib olla kuum ja/või teravate servadega.

- ▶ Tarviku vahetamisel kandke kaitsekindaid.
- ▶ Ärge asetage kuuma tarvikut tuleohtlikule aluspinnale.

1. Tõmmake seadme võrgupistik pistikupesast välja.
2. Tõmmake tarviku lukustus lõpuni tagasi.
3. Eemaldage tarvik.

5.2 Töötamine

HOIATUS

Elektrilöögi oht! Puuduv maandusjuhe ja rikkevoolukaitselüliti võivad kaasa tuua raskeid vigastusi ja põletusi.

- ▶ Veenduge, et ehitusplatsi elektrikaablis (nii võrgu- kui generaatoritoite puhul) on alati olemas ja ühendatud maandusjuhe ja rikkevoolukaitselüliti.
- ▶ Ilma nende ohutusnõueteta ärge toodet tööle rakendage.



**HOIATUS**

Kahjustatud toitejuhe on ohtlik! Ärge puudutage toitejuhet, kui see on töö käigus vigastada saanud. Tõmmake seadme pistik elektrikontaktist välja.

- ▶ Kontrollige regulaarselt seadme toitejuhet ja vigastuste tuvastamisel laske see elektriala asjatundjal välja vahetada.

Kooskõlastage kõik tööd projektijuhiga!

5.2.1 Meiseldamine

1. Ühendage võrgupistik pistikupesassa.
2. Asetage meisel soovitud asendisse.
3. Vajutage toitelülitile.



Töötamine madalatel temperatuuridel:

Löögimehhanism hakkab tööle teatud temperatuuril. Selle saavutamiseks asetage seade hetkeks maha ja laske sellel töötada tühikäigul. Vajadusel korrake seda protsessi niikaua, kuni löögimehhanism käivitub.

5.2.2 Väljalülitamine

1. Vajutage toitelülitile.
2. Tõmmake seadme võrgupistik pistikupesast välja.

5.2.3 Tööjuhised

Meislit saab lukustada 6 erinevasse asendisse (60° sammuga). Nii on lapik- ja profiilimeislitega võimalik alati töötada optimaalses tööasendis.

- ▶ Asetage meisel servast umbes 80-100 mm (3 1/8" - 4") kaugusele.
- ▶ Armatuurraua korral juhtige meislit alati vastu materjali serva, mitte vastu armatuurrauda.
- ▶ Alustage meiseldamist 70° - 80° nurga all ja suunake ots serva poole. Seejärel muutke nurka 90° suunas ja murdke materjal lahti.
- ▶ Keerake meislit regulaarselt, kuna ühtlane kulumine toetab iseteritamist.
- ▶ Liiga väike rakendatav surve põhjustab meisli hüppamist. Liiga suur rakendatav surve põhjustab meiseldusvõimsuse vähenemist.

6 Teisaldamiskäru valik**6.1 Transport**

Teisaldamiskäru tagab piikvasara ohutu transpordi.

- Veenduge, et teisaldamiskäru on stabiilses asendis.
- Asetage seade selleks ette nähtud seadme kinnitamise tornile ja kinnitage see transportimise ajaks kinnituskäärega.
- Asetage meisel selleks ettenähtud hoidikusse, kuni see kohale fikseerub.
- Veenduge, et transporditee on ohutu ja vaba takistustest.
- Ärge asetage käru kaldpindadele.

7 Hooldus ja korrashoid**HOIATUS**

Elektriöögi oht! Seadme hooldus- ja korrashoiutööd toitevõrku ühendatud toitepistikuga võivad põhjustada raskeid vigastusi ja põletusi.

- ▶ Tõmmake toitepistik pistikupesast välja iga kord enne hooldus- ja korrashoiutööde tegemist!

Hooldus

- Eemaldage kõvasti kinni olev mustus ettevaatlikult.
- Puhastage ventilatsiooniasvid ettevaatlikult kuiva harjaga.



- Puhastage korpust kergelt niiske lapiga. Ärge kasutage silikooni sisaldavaid hooldusvahendeid, sest need võivad kahjustada seadme plastdetaili.

Korrashoid



HOIATUS

Elektrilõõgi oht! Elektridetailide asjatundmatu parandamine võib kaasa tuua raskeid vigastusi ja põletusi.

► Elektridetaili tohivad parandada ainult elektriala asjatundjad.

- Kontrollige regulaarselt, kas kõik nähtavad osad on terved ja kas juhtelemendid toimivad veatult.
- Kahjustuste ja/või tõrgete korral ei tohi seadet kasutada. Laske tööriist kohe **Hilti** hooldekeskuses parandada.
- Pärast hooldus- ja korrashoiutöid paigaldage kõik kaitseseadised ja kontrollige nende toimivust.



Tööohutuse tagamiseks kasutage ainult originaalvaruosi ja -materjale. Teie tootega sobivaid ja meie poolt heakskiidetud varuosad, materjalid ja tarvikud leiate kauplusest **Hilti Store** või veebilehelt: www.hilti.group.

8 Abi tõrgete puhul


Kui peaks esinema tõrge, mida ei ole järgmises tabelis nimetatud või mida Te ei suuda ise kõrvaldada, pöörduge **Hilti** hooldekeskusse.

8.1 Tõrgete tabel

Tõrge	Võimalik põhjus	Lahendus
Seade ei käivitu	Käigus on elektroonika initsialiseerimine (kuni umbes 4 sekundi jooksul pärast pistiku ühendamist pistikupessa)	► Lülitage seade välja ja uuesti sisse.
	Vooluvarustus katkenud	► Ühendage vooluvõrk mõni teine elektriline seade, kontrollige, kas see töötab.
	Toitejuhe või pistik defektsed	► Laske kontrollida ja vajadusel vahetada elektriala asjatundjal.
	Generaator on ooterežiimis	► Kasutage generaatorit mõne teise tarvitiga (nt ehitusplatsil kasutatav lamp). Seejärel lülitage seade sisse ja uuesti välja.
Puudub lögifunktsioon	Seade on liiga külm	► Laske seadmel soojeneda minimaalse töötemperatuurini.
	Seadme vigastused	► Laske seade Hilti hooldekeskuses parandada.
Seade ei käivitu või lülitub töötamise ajal välja ja näit vilgub punase tulega	Ajutine viga (nt ülekuumenemine või ülepinge)	► Lülitage seade välja, laske jahtuda või ühendage mõne teise toiteallikaga.
Seade töötab, kuid näit põleb punase tulega	Hoolduse eelteade	► Laske seadet hooldada või parandada Hilti hooldekeskuses.
Seade ei käivitu või lülitub töötamise ajal välja	Pikendusjuhe on liiga pikk või liiga väikese ristlõikega	► Kasutage ettenähtud pikkuse ja piisava ristlõikega pikendusjuhet.
	Pistikühendusega võrgujuhe ei ole korrektselt ühendatud.	► Ühendage pistikühendusega võrgujuhe elektrilise tööriista külge korrektselt.



9 Utiliseerimine

 **Hilti** seadmed on suures osas valmistatud taaskasutatavatest materjalidest. Taaskasutuse eelduseks on materjalide korralik sorteerimine. Paljudes riikides kogub **Hilti** kasutusressursi ammendanud seadmed kokku. Lisateavet saate **Hilti** müügiesindusest.



- ▶ Ärge visake kasutusressursi ammendanud elektrilisi tööriistu, elektroonikaseadmeid ja akusid olmejäätmete hulka!
-

10 RoHS (direktiiv ohtlike ainete kasutamise piirangute kohta)

Järgmiselt lingilt leiate ohtlike ainete tabeli: qr.hilti.com/r6025050.

RoHS-tabeli juurde viiva lingi leiate käesoleva dokumendi lõpust QR-koodina.

11 Tootja garantii

- ▶ Kui Teil on küsimusi garantiitingimuste kohta, pöörduge **Hilti** müügiesindusse.



1 Informācija par dokumentāciju

1.1 Par šo dokumentāciju

- Pirms ekspluatācijas sākšanas obligāti izlasiet šo dokumentāciju. Tas ir priekšnoteikums darba drošībai un izstrādājuma lietošanai bez traucējumiem.
- Ievērojiet drošības norādījumus un brīdinājumus, kas atrodami šajā dokumentācijā un uz izstrādājuma.
- Vienmēr glabājiet lietošanas instrukciju izstrādājuma tuvumā un nododiet to kopā ar izstrādājumu, ja tas tiek nodots citām personām.

1.2 Apzīmējumu skaidrojums

1.2.1 Brīdinājumi

Brīdinājumi pievērš uzmanību bīstamībai, kas pastāv, strādājot ar izstrādājumu. Tiek lietoti šādi signālvārdi:



BĪSTAMI!

BĪSTAMI! !

- ▶ Pievērš uzmanību draudošām briesmām, kas var izraisīt smagas miesas bojājumus vai nāvi.



BRĪDINĀJUMS!

BRĪDINĀJUMS! !

- ▶ Pievērš uzmanību iespējamam apdraudējumam, kas var izraisīt smagas traumas vai pat nāvi.



IEVĒROT PIESARDZĪBU!

UZMANĪBU! !

- ▶ Norāda uz iespējami bīstamām situācijām, kas var izraisīt vieglas traumas vai materiālos zaudējumus.

1.2.2 Dokumentācijā lietotie simboli

Šajā dokumentācijā tiek lietoti šādi simboli:



Pirms lietošanas izlasiet instrukciju



Norādījumi par lietošanu un cita noderīga informācija



Rīcība ar otrreiz pārstrādājamiem materiāliem



Neizmetiet elektroiekārtas un akumulatorus sadzīves atkritumos.

1.2.3 Attēlos lietotie simboli

Attēlos tiek lietoti šādi simboli:



Šis skaitļi norāda uz attiecīgajiem attēliem, kas atrodami šīs instrukcijas sākumā.

3

Numerācija attēlos atbilst veicamo darbību secībai un var atšķirties no darbību apraksta tekstā.



Pozīciju numuri tiek lietoti attēlā **Pārskats** un norāda uz leģendas numuriem sadaļā **Izstrādājuma pārskats**.



Šis simbola uzdevums ir pievērst īpašu uzmanību izstrādājuma lietošanas laikā.

1.3 Simboli atkarībā no izstrādājuma

1.3.1 Simboli uz izstrādājuma

Tiek lietoti šādi simboli uz izstrādājuma:



Aizsardzības klase II (divkārša izolācija)



Servisa indikācija



1.4 Izstrādājuma informācija

HILTI izstrādājumi ir paredzēti profesionāliem lietotājiem, un to darbināšanu, apkopi un tehniskā stāvokļa uzturēšanu drīkst veikt tikai kvalificēts, atbilstīgi apmācīts personāls. Personālam ir jābūt labi informētam par iespējamajiem riskiem, kas var rasties darba laikā. Izstrādājums un tā papildaprīkojums var radīt bīstamas situācijas, ja to uztic neprofesionālam personālam vai nelieto atbilstīgi nosacījumiem. Iekārtas tipa apzīmējums un sērijas numurs ir norādīti uz identifikācijas datu plāksnītes.

- ▶ Ierakstiet sērijas numuru zemāk redzamajā tabulā. Izstrādājuma dati jānorāda, vērstoties mūsu pārstāvnīcībā vai servisā.

Izstrādājuma dati

Atskaldāmais āmurs	TE 2000-AVR
Paaudze	01
Sērijas Nr.	

1.5 Atbilstības deklarācija

Uzņemoties pilnu atbildību, mēs apliecinām, ka šeit aprakstītais izstrādājums atbilst šādām direktīvām un standartiem: Atbilstības deklarācijas attēls ir atrodams šīs dokumentācijas beigās.

Tehniskā dokumentācija ir saglabāta šeit:

Hilti Entwicklungsgesellschaft mbH | Zulassung Geräte | Hiltistraße 6 | 86916 Kaufering, DE

2 Drošība

2.1 Vispārīgi drošības norādījumi darbam ar elektroiekārtām

⚠ BRĪDINĀJUMS! Izlasiet visus drošības norādījumus un instrukcijas. Šeit izklāstīto drošības norādījumu un instrukciju neievērošana var izraisīt elektrošoku, ugunsgrēku un/vai nopietnas traumas.

Saglabājiet visus drošības norādījumus un instrukcijas turpmākai lietošanai.

Drošība darba vietā

- ▶ **Uzturiet darba vietā tīrību un kārtību un nodrošiniet labu apgaismojumu.** Nekārtīgā darba vietā vai sliktā apgaismojumā var viegli notikt nelaimes gadījums.
- ▶ **Nestrādājiet ar elektroiekārtu sprādzienbīstamā vidē, kur atrodas uzliesmojoši šķidrumi, gāzes vai putekļi.** Darbības laikā elektroiekārtas mēdz dzirkstēļot, un tas var izraisīt viegli degošu putekļu vai tvaiku aizdegšanos.
- ▶ **Neļaujiet bērniem un nepiederošām personām iekārtas lietošanas laikā tuvoties elektroiekārtai.** Ja tiks novērsta uzmanība, jūs varat zaudēt kontroli pār iekārtu.

Elektrodrošība

- ▶ **Elektroiekārtas kontaktdakšai jāatbilst elektrotīkla kontaktligzdai. Kontaktdakšas konstrukciju nedrīkst nekādā veidā mainīt. Kopā ar elektroiekārtām, kurām ir aizsargzemējums, nedrīkst lietot adapteru spraudņus.** Neizmainītas konstrukcijas kontaktdakša, kas atbilst kontaktligzdai, ļauj samazināt elektrošoka risku.
- ▶ **Darba laikā nepieskarieties sazemētiem priekšmetiem, piemēram, caurulēm, radiatoriem, plītiem vai ledusskapjiem.** Pieskaroties sazemētām virsmām, pieaug risks saņemt elektrisko triecienu.
- ▶ **Nelietojiet elektroiekārtu lietus laikā, neturiet to mitrumā.** Mitrumam iekļūstot elektroiekārtā, pieaug risks saņemt elektrisko triecienu.
- ▶ **Risks saņemt un nepakariniet elektroiekārtu aiz barošanas kabeļa un neraujiet aiz kabeļa, ja vēlaties atvienot iekārtu no elektrotīkla kontaktligzdas. Sargājiet elektrokabeļi no karstuma, eļļas, asām šķautnēm un iekārtas kustīgajām daļām.** Bojāts vai sapīņķerējis elektrokabeļis var kļūt par cēloni elektrošokam.
- ▶ **Darbinot elektroiekārtu ārpus telpām, izmantojiet tās pievienošanai vienīgi tādus pagarinātājka-beļus, kas ir paredzēti lietošanai brīvā dabā.** Lietojot elektrokabeļi, kas ir piemērots darbam ārpus telpām, samazinās elektrošoka risks.
- ▶ **Ja elektroiekārtas izmantošana slapjā vidē ir obligāti nepieciešama, lietojiet bojājumstrāvas aizsargslēdzi.** Bojājumstrāvas slēdža lietošana samazina elektrošoka risku.

Personīgā drošība

- ▶ **Strādājiet ar elektroiekārtu uzmanīgi, darba laikā saglabājiet paškontroli un rīkojieties saskaņā ar veselo saprātu. Ar elektroiekārtu nedrīkst strādāt personas, kas ir nogurušas vai atrodas narkotiku, alkohola vai medikamentu ietekmē.** Mirklis neuzmanības, strādājot ar elektroiekārtu, var novest pie nopietnām traumām.



- ▶ **Izmantojiet individuālos aizsardzības līdzekļus un darba laikā vienmēr nēsājiet aizsargbrilles.** Individuālo aizsardzības līdzekļu (putekļu aizsargmaskas, neslidošu apavu un aizsargķiveres vai ausu aizsargu) lietošana atbilstoši elektroiekārtas tipam un veicamā darba raksturam ļauj izvairīties no savainojumiem.
- ▶ **Nepieļaujiet iekārtas nekontrolētas ieslēgšanās iespēju. Pirms elektroiekārtas pievienošanas, satveršanas vai pārvietošanas pārliedzieties, ka tā ir izslēgta.** Ja iekārtas pārvietošanas laikā pirksts atrodas uz slēdža vai ja ieslēgta iekārta tiek pievienota elektrotīklam, var notikt nelaimes gadījums.
- ▶ **Pirms elektroiekārtas ieslēgšanas jānoņem visi regulēšanas piederumi un uzgriežņu atslēgas.** Regulēšanas piederumi vai uzgriežņu atslēga, kas iekārtas ieslēgšanas brīdī atrodas iekārtā, var radīt traumas.
- ▶ **Izvairieties no nedabiskām pozām. Darba laikā vienmēr saglabājiet līdzsvaru un nodrošinieties pret paslīdēšanu.** Tas atvieglos elektroiekārtas vadību neparedzētās situācijās.
- ▶ **Izvēlieties darbam piemērotu apģērbu. Darba laikā nenēsājiet brīvi plandošas drēbes un rotaslietas. Netuviniet matus, apģērbu un aizsargcimdus iekārtas kustīgajām daļām.** Vaļiņas drēbes, rotaslietas un gari mati var iekļerties iekārtas kustīgajās daļās.
- ▶ **Ja elektroiekārtas konstrukcija ļauj pievienot putekļu nosūkšanas vai savākšanas ierīci, sekojiet, lai tā būtu pievienota un tiktu darbināta pareizi.** Putekļu nosūcēja lietošana samazina putekļu kaitīgo ietekmi.

Elektroiekārtas lietošana un apkope

- ▶ **Nepārslodojiet elektroiekārtu. Katram darbam izvēlieties piemērotu iekārtu.** Elektroiekārta darbosies labāk un drošāk pie nominālās slodzes.
- ▶ **Nelietojiet elektroiekārtu, ja ir bojāts tās slēdzis.** Elektroiekārta, ko nevar ieslēgt un izslēgt, ir bīstama un nekavējoties jānodod remontā.
- ▶ **Pirms apkopes, regulēšanas vai instrumenta nomainīšanas atvienojiet elektroiekārtas kontaktdakšu no elektrotīkla.** Šādi jūs novērsīsiet elektroiekārtas nejaušas ieslēgšanās risku.
- ▶ **Elektroiekārtu, kas netiek darbināta, uzglabājiet piemērotā vietā. Neļaujiet lietot iekārtu personām, kas nav iepazinušas ar tās funkcijām un izlasījušas šo lietošanas instrukciju.** Ja elektroiekārtu lieto nekompetentas personas, tas var apdraudēt cilvēku veselību.
- ▶ **Rūpīgi veiciet elektroiekārtu apkopi. Pārbaudiet, vai kustīgās daļas darbojas bez traucējumiem un neķeras un vai kāda no daļām nav salauzta vai bojāta un tādējādi netraucē elektroiekārtas nevainojamu darbību. Raugieties, lai pirms iekārtas lietošanas tiktu nomainītas vai saremontētas bojātās daļas.** Daudzi nelaimes gadījumi notiek tāpēc, ka elektroiekārtām nav nodrošināta pareiza apkope.
- ▶ **Griezējinstrumentiem vienmēr jābūt uzasinātiem un tīriem.** Rūpīgi kopti griezējinstrumenti ar asām šķautnēm retāk iestrēgst un ir vieglāk vadāmi.
- ▶ **Lietojiet elektroiekārtu, piederumus, maināmos instrumentus utt. saskaņā ar šiem norādījumiem. Jāņem vērā arī konkrētie darba apstākļi un veicamās operācijas īpatnības.** Elektroiekārtu lietošana citiem mērķiem, nekā to ir paredzējusi ražotājfirma, ir bīstama un var izraisīt neparedzamas sekas.

Serviss

- ▶ **Uzdodiet elektroiekārtas remontu veikt tikai kvalificētam personālam, kas izmanto vienīgi oriģinālās rezerves daļas.** Tikai tā ir iespējams saglabāt elektroiekārtas funkcionālo drošību.

2.2 Drošības noteikumi darbam ar perforatoriem

- ▶ **Lietojiet dzirdes aizsargaprīkojumu.** Trokšņa iedarbība var radīt dzirdes zudumu.
- ▶ **Lietojiet kopā ar iekārtu piegādātos papildu rokturus.** Kontroles zudums var kļūt par cēloni traumām.
- ▶ **Ja pastāv iespēja, ka instruments var skart apslēptus elektriskos vadus vai pašas iekārtas barošanas kabeli, iekārta vienmēr jātur aiz izolētajām rokturu virsmām.** Saskaroties ar spriegumam pieslēgtiem vadiem, spriegums tiek novadīts uz iekārtas metāla daļām, radot elektrošoka risku.

2.3 Papildnorādījumi par atskaldāmā āmura drošību

Personīgā drošība

- ▶ Lietojiet izstrādājumu tikai tad, ja tas ir tehniski nevainojamā stāvoklī.
- ▶ Nekādā gadījumā nemēģiniet ietekmēt iekārtas funkcijas vai to pārveidot.
- ▶ Veicot kalšanu griestos, sienās un grīdās, ieņemiet drošu un stabilu pozu. Pēkšņa konstrukcijas caurkalšana var izraisīt līdzsvara zudumu!
- ▶ Pirms laušanas vai urbšanas darbiem, kas šķērso celtnes daļas, atbilstoši jānodrošina attiecīgās celtnes daļas pretējā puse. Atlūzuši materiāla fragmenti var izkrist caur atveri un/vai nokrist un savainot cilvēkus.



- ▶ Iekārtas lietotājam un tuvumā esošajām personām iekārtas lietošanas laikā jāvalkā piemērotas aizsargbrilles, aizsargķivere, dzirdes aizsarglīdzekļi, aizsargcimdi un viegls elpceļu aizsardzības aprīkojums.
- ▶ Arī instrumenta maiņas laikā valkājiet aizsargcimdus. Saskare ar maināmo instrumentu var izraisīt grieztas traumas un apdegumus.
- ▶ Valkājiet aizsargbrilles vai masku. Materiāla šķembas var savainot ķermeni un acis.
- ▶ Pirms darba sākšanas noskaidrojiet darba laikā rodošos putekļu bīstamības kategoriju. Lietojiet celtniecības putekļsūcēju ar oficiālas sertifikācijas ietvaros piešķirtu drošības klasifikāciju, kas atbilst vietējiem putekļu ietekmes ierobežošanas normatīviem. Putekļi, ko rada tādi materiāli kā, piemēram, svīnu saturoša krāsa, dažī koksnes veidi, betons / mūris / kvarcu saturoši akmeņi, minerāli un metāls, var būt kaitīgi veselībai.
- ▶ Nodrošiniet darba vietā labu ventilāciju un, ja nepieciešams, valkājiet elpceļu aizsargmasku, kas aizsargā pret attiecīgā veida putekļiem. Saskare ar šiem putekļiem vai to ieelpošana var izraisīt lietotāja vai citu tuvumā esošo personu alerģiskas reakcijas un/vai elpceļu saslimšanas. Noteikti putekļu veidi, piemēram, ozola un skābarža koksnes putekļi, tiek uzskatīti par kancerogēniem – sevišķi kopā ar kokapstrādē izmantojamām vielām (hromātiem, koksnes aizsarglīdzekļiem). Azbestu saturošus materiālus drīkst apstrādāt tikai kompetenti speciālisti.
- ▶ Darba pārtraukumos veiciet pirkstu vingrinājumus, kas uzlabo asinsriti. Ilgstoša darba gadījumā vibrācija var radīt traucējumus pirkstu, roku vai plaukstu locītavu asinsvadu un nervu sistēmas funkcijās.

Elektrodrošība

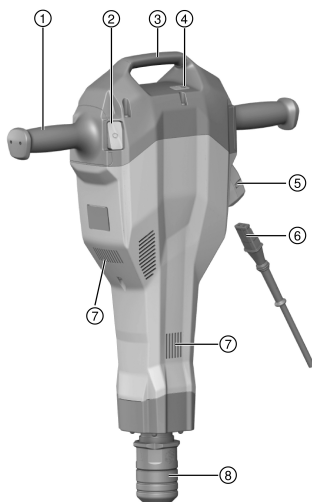
- ▶ Pirms darba sākšanas pārbaudiet, vai darba zonā neatrodas neseģti elektrības vadi, gāzes vai ūdensapgādes caurules. Nejauši sabojājot zem sprieguma esošus vadus, iekārtas ārējās metāla daļas var izraisīt elektrošoku.

Rūpīga elektroiekārtu lietošana un apkope

- ▶ Nekad nenolieciet elektroiekārtu, kamēr nav pilnībā apstājusies tajā nostiprinātā instrumenta kustība.

3 Apraksts

3.1 TE 2000-AVR pārskats 1



- 1 Rokturis
- 2 Ieslēgšanas un izslēgšanas slēdzis
- 3 Pārnēsāšanas rokturis
- 4 Servisa indikācija
- 5 Barošanas kabeļa spraudsavienojums
- 6 Barošanas kabelis ar spraudni
- 7 Ventilācijas atveres
- 8 Instrumenta patrona



3.2 Transportēšanas ratiņu pārskats 2

- | | |
|---|---|
| ① Rokturis | ④ Riteņi |
| ② Bloķēšanas stīpa | ⑤ Riteņa fiksācija (paplāksne, šķelttapa) |
| ③ Patērējamā materiāla turētājs (kalts) | ⑥ Iekārtas nostiprināšanas rēdze |

3.3 Nosacījumiem atbilstīga lietošana

Aprakstītais izstrādājums ir manuāli vadāms atskaldāmais āmurs. Tas ir paredzēts kalšanas darbiem betonā, mūrī un asfaltā. To var izmantot arī blietēšanas un rakšanas darbos.

Iekārtu drīkst darbināt tikai ar uz identifikācijas datu plāksnītes norādīto tīkla spriegumu un frekvenci.

3.4 Varbūtējā nepareizā lietošana

- Iekārtu drīkst darbināt tikai sausā vidē.
- Neizmantojiet iekārtu vietās, kur pastāv ugunsgrēka un eksplozijas risks.
- Nedrīkst apstrādāt veselībai kaitīgus materiālus (piemēram, azbestu).

3.5 Active Vibration Reduction

Izstrādājums ir aprīkots ar sistēmu Active Vibration Reduction (AVR), kas ievērojami samazina vibrāciju.

3.6 Servisa indikācija

Atskaldāmajam āmuram ir servisa indikācija ar gaismas signālu.

Stassus	Nozīme
Servisa indikācija deg sarkanā krāsā.	Pienācis laiks servisa darbiem. Savlaicīgi nododiet izstrādājumu Hilti servisā, lai tas vienmēr būtu gatavs darbam. Iekārtas bojājums.
Servisa indikācija mirgo sarkanā krāsā.	Termiskā aizsardzība Elektroapgādē pārāk augsts spriegums.

3.7 Piegādes komplektācija

Atskaldāmais āmurs, barošanas kabelis ar spraudsavienojumu, lietošanas instrukcija, smērviela. Transportēšanas ratiņi tiek piedāvāti kā papildaprīkojums.

Citus šim izstrādājumam izmantojamus sistēmas produktus meklējiet **Hilti** servisa centrā vai tīmekļvietnē www.hilti.group.

4 Tehniskie parametri

4.1 Atskaldāmais āmurs

Nominālā sprieguma, nominālās strāvas, frekvences un/vai nominālās ieejas jaudas parametri ir norādīti attiecīgajai valstij paredzētajā identifikācijas datu plāksnītē.

Ja šis iekārtas darbināšanai izmanto generatoru vai transformatoru, tā ieejas jaudai jābūt vismaz divreiz lielākai par nominālo ieejas jaudu, kas norādīta uz iekārtas identifikācijas datu plāksnītes. Transformatora vai ģenerators darba spriegumam vienmēr jābūt iekārtas nominālā sprieguma diapazonā ar pielaidi +5 % vai -15 %.

	TE 2000-AVR
Svars saskaņā ar EPTA procedūru 01	14,5 kg
Triecienu skaits	30 Hz
Aizsardzības klase	II



4.2 Informācija par troksni un vibrāciju saskaņā ar EN 60745

Šajās instrukcijās norādītie lielumi, kas raksturo skaņas spiedienu un vibrāciju, ir noteikti ar standartizētas mērījumu metodes palīdzību, un tos var izmantot elektroiekārtu savstarpējai salīdzināšanai. Tos var izmantot arī trokšņa un vibrācijas iedarbības pagaidu novērtējumam. Norādītie parametri attiecas uz elektroiekārtas galvenajiem lietošanas veidiem. Taču, ja elektroiekārta tiek izmantota citos nolūkos, ar citiem maināmajiem instrumentiem vai netiek nodrošināta pietiekama tās apkope, parametri var atšķirties no norādītajiem. Tas var ievērojami palielināt trokšņa un vibrācijas iedarbību visā darba laikā. Lai precīzi novērtētu iedarbību, jāņem vērā arī laiks, cik ilgi iekārta ir izslēgta vai ir ieslēgta, taču faktiski netiek darbināta. Tas var būtiski samazināt iedarbību kopējā darba laikā. Jāparedz papildu drošības pasākumi, lai aizsargātu iekārtas lietotāju pret trokšņa un/vai vibrācijas iedarbību, piemēram, elektroiekārtas un maināmo instrumentu apkope, roku turēšana siltumā, darba procesa organizācija.

Skaņas emisijas rādītāji

Izmērītais skaņas jaudas līmenis (L_{WA})	97 dB(A)
Garantētais skaņas jaudas līmenis ($L_{WA,d}$)	100 dB(A)
Skaņas jaudas līmeņa pielāide (K_{WA})	3 dB(A)
Skaņas spiediena līmenis (L_{pA})	77 dB(A)
Skaņas spiediena līmeņa pielāide (K_{pA})	3 dB(A)

Vibrācijas rādītāji

Kaļšana ($a_{h, Cheq}$)	4,8 m/s ²
Iespējamā kļūda (K)	1,5 m/s ²

5 Lietošana

5.1 Sagatavošanās darbam

IEVĒROT PIESARDZĪBU!

Traumu risks! Izstrādājuma nekontrolēta iedarbošanās.

- ▶ Atvienojiet barošanas kabeli, pirms veikt iekārtas iestatīšanu vai aprīkojuma maiņu.

Ievērojiet drošības norādījumus un brīdinājumus, kas atrodami šajā dokumentācijā un uz izstrādājuma.

5.1.1 Barošanas kabeļa pievienošana pie iekārtas



Atvienojamo spraudsavienojumu drīkst savienot ar izstrādājumu tikai tad, ja tas ir tīrs, sauss un neatrodas zem sprieguma. Savienojums ir kodēts.

1. Izņemiet barošanas kabeli no transportēšanai paredzētā kartona iepakojuma.
2. Iebīdīet spraudsavienojumu iekārtā, līdz tas dzirdami nofiksējas.
3. Ievietojiet kontaktdakšu kontaktlīgdā.

5.1.2 Maināmā instrumenta ievietošana

1. Atvienojiet iekārtu no elektrotīkla.
2. Viegli ieziediet maināma instrumenta galu ar smērvielu.
 - ↳ Lietojiet tikai oriģinālās **Hilti** smērvielas. Neatbilstīgas smērvielas var izraisīt iekārtas bojājumus.
3. Ievietojiet maināmo instrumentu instrumenta patronā un, viegli piespiežot, pagrieziet to, līdz tas dzirdami nofiksējas.
4. Pavelkot instrumentu, jāpārbauda, vai tas ir nofiksējies kārtīgi.

5.1.3 Maināmā instrumenta izņemšana

IEVĒROT PIESARDZĪBU!

Traumu risks! Maināmais instruments var būt karsts un/vai ar asām malām.

- ▶ Darba instrumenta nomaiņas laikā valkājiet aizsargcimdus.
- ▶ Nekādā gadījumā nenovietojiet karstu maināmo instrumentu uz degoša materiāla virsmas.

1. Atvienojiet iekārtu no elektrotīkla.



2. Līdz galam pavelciet atpakaļ instrumenta fiksācijas mehānismu.
3. Izņemiet maināmo instrumentu.

5.2 Darbs

BRĪDINĀJUMS!

Elektrošoka risks! Ja nav instalēts zemējuma vads vai bojājumstrāvas aizsargslēdzis, iespējamas smagas traumas un apdegumi.

- ▶ Vienmēr pārbaudiet, vai objekta elektroapgādē, kas tiek nodrošināta no elektrotīkla vai ģeneratora, ir instalēts un pievienots zemējuma vads un bojājumstrāvas aizsargslēdzis.
- ▶ Nesāciet nevienas iekārtas lietošanu, ja nav veikti šie drošības pasākumi.

BRĪDINĀJUMS!

Bojāta kabeļa izraisīts apdraudējums! Ja darba laikā tiek bojāts barošanas kabelis vai pagarinātājkabelis, neaiztieciet to. Nekavējoties atvienojiet kontaktdakšu no kontakttīgšanas.

- ▶ Regulāri pārbaudiet iekārtas barošanas kabeli un nepieciešamības gadījumā nododiet to kompetentam speciālistam remonta vai nomaiņas veikšanai.

Saņemiet visu darbu veikšanai apstiprinājumu no būvdarbu vadības!

5.2.1 Kalšana

1. Ievietojiet kontaktdakšu kontakttīgzdā.
2. Novietojiet kalnu tā, lai tas atrastos vēlamajā pozīcijā.
3. Nospiediet ieslēgšanas un izslēgšanas slēdzi.



Darbs zemā temperatūrā:

Lai triecienmehānisms sāktu darboties, iekārtai ir jāsasniedz minimālā darba temperatūra. Lai to nodrošinātu, uz neilgu brīdi novietojiet iekārtu uz virsmas un padarbiniet to tukšgaitā. Nepieciešamības gadījumā šo darbību atkārtojiet, līdz sāk darboties triecienmehānisms.

5.2.2 Izslēgšana

1. Nospiediet ieslēgšanas un izslēgšanas slēdzi.
2. Atvienojiet iekārtu no elektrotīkla.

5.2.3 Darba norādījumi



Kalnu iespējams novietot 6 dažādās pozīcijās (ar 60° soli). Pateicoties tam, ar plakano kalnu un profila kalnu vienmēr var strādāt optimālā darba pozīcijā.

- ▶ Novietojiet kalnu apmēram 80-100 mm (3 1/8"-4") attālumā no malas.
- ▶ Apstrādājot materiālus ar metāla armatūru, vienmēr virziet kalnu pret materiāla malu, nevis pret armatūru.
- ▶ Sāciet kalšanu 70° līdz 80° leņķī pret betona virsmu un novietojiet kalna smaili tā, lai tā būtu pavērsta pret malu. Pēc tam mainiet leņķi 90° virzienā un izlauziet materiālu.
- ▶ Regulāri pagrieziet kalnu, jo vienmērīgs tā nolietojums veicina pašuzasināšanās procesu.
- ▶ Nepietiekama piespiešanas spēka gadījumā kalns lēkā. Pārāk liels piespiešanas spēks samazina kalšanas efektivitāti.

6 Transportēšanas ratiņu opcija

6.1 Transportēšana

Transportēšanas ratiņi ir paredzēti atskaldāmā āmura drošai transportēšanai.

- Nodrošiniet, lai transportēšanas ratiņi būtu novietoti stabili.
- Novietojiet iekārtu uz šim nolūkam paredzētās iekārtas nostiprināšanas rēdzes un transportēšanas laikā vienmēr nodrošiniet to ar fiksācijas stīpu.
- Iespraudiet kalnu šim nolūkam paredzētajā turētājā, līdz tas nofiksējas.
- Izvēlieties drošus transportēšanas ceļus.



- Nenovietojiet ratiņus slīpumā.

7 Apkope un uzturēšana

BRĪDINĀJUMS!

Elektriskā trieciena risks! Apkopes un remonta darbu veikšana, neatvienojot iekārtu no elektrotīkla, var izraisīt smagas traumas un apdegumus.

- ▶ Pirms jebkādiem apkopes un remonta darbiem vienmēr atvienojiet tīkla kontaktdakšu!

Kopšana

- Uzmanīgi jānotīra pielīpušie netīrumi.
- Uzmanīgi jāiztīra ventilācijas atveres ar sausu birstīti.
- Korpusa tīrīšanai jālieto tikai nedaudz samitrināta drāniņa. Nedrīkst lietot silikonu saturošus kopšanas līdzekļus, kas var sabojāt plastmasas daļas.

Uzturēšana

BRĪDINĀJUMS!

Elektrošoka risks! Neprofesionāli veikts elektrisko daļu remonts var kļūt par cēloni smagām traumām un apdegumiem.

- ▶ Elektrisko daļu labošanu var veikt tikai elektrības nozares speciālisti .
- Regulāri pārbaudiet visas redzamās daļas, lai pārliecinātos, ka tās nav bojātas un funkcionē nevainojami.
- Bojājumu un/vai funkciju traucējumu gadījumā izstrādājumu nedrīkst lietot. Tas nekavējoties jānodod **Hilti**, lai veiktu remontu.
- Pēc apkopes un remonta darbiem visas aizsargierīces jāpiemontē vietā un jāpārbauda, vai tās darbojas.

Lai iekārtas lietošana būtu droša, izmantojiet tikai oriģinālās rezerves daļas un patēriņa materiālus. Rezerves daļas un patēriņa materiālus, kuru lietošanu kopā ar šo iekārtu mēs akceptējam, var atrast **Hilti Store** vai tīmekļvietnē. www.hilti.group.

8 Traucējumu novēršana

Ja iekārtas darbībā ir radušies traucējumi, kas nav uzskaitīti šajā tabulā vai ko jums neizdodas novērst saviem spēkiem, lūdzu, meklējiet palīdzību mūsu **Hilti** servisā.

8.1 Traucējumu diagnostikas tabula

Traucējums	Iespējamais iemesls	Risinājums
Iekārtu nevar iedarbināt.	Notiek elektronikas inicializācija (ne ilgāk kā 4 sekundes pēc spraudņa pievienošanas).	▶ Iekārta jāizslēdz un no jauna jāieslēdz.
	Pārtraukta elektrības padeve	▶ Pievienot citu elektroinstrumentu, pārbaudīt tā funkcionēšanu.
	Bojāts elektrības padeves vads vai kontaktdakša.	▶ Jāuzdod veikt pārbaudi un, ja nepieciešams, nomainu elektrotehnikas speciālistam.
	Ģenerators darbojas miega režīmā.	▶ Radiet ģenerators noslodzi ar cita patērētāja (piemēram, būvniecības lampas) palīdzību. Pēc tam ieslēdziet un izslēdziet iekārtu vēlreiz.
Nav triecienu funkcijas	Iekārta ir pārāk auksta.	▶ Iekārta jāuzsilda līdz minimālajai darba temperatūrai.
	Iekārtas bojājums	▶ Nododiet iekārtu Hilti servisā remonta veikšanai.



Traucējums	Iespējamais iemesls	Risinājums
Iekārta needarbojas vai darbības laikā izslēdzas, indikācija mirgo sarkanā krāsā.	Pārejoši traucējumi (piemēram, pārkaršana vai pārspriegums)	► Izslēdziet iekārtu un ļaujiet tai atdzist vai pievienojiet to citam sprieguma avotam.
Iekārta darbojas, taču indikācija konstanti deg sarkanā krāsā.	Servisa brīdinājums	► Uzdodiet Hilti servisa darbiniekiem veikt apkopes vai remonta darbus.
Iekārta needarbojas vai darbības laikā izslēdzas.	Pagarinātājkabelis ir pārāk garš vai ar pārāk mazu šķērssgriezumu.	► Lietojiet pagarinātājkabeli ar pieļaujamo garumu un pietiekami lielu šķērssgriezumu.
	Nav kārtīgi pievienots barošanas kabeļa spraudnis.	► Kārtīgi pievienojiet barošanas kabeli elektroiekārtai.

9 Nokalpojušo iekārtu utilizācija

Hilti iekārtu izgatavošanā tiek izmantoti galvenokārt otrreiz pārstrādājami materiāli. Priekšnosacījums otrreizējai pārstrādei ir atbilstoša materiālu šķirošana. Daudzās valstīs **Hilti** pieņem nolietotās iekārtas otrreizējai pārstrādei. Lai saņemtu vairāk informācijas, vērsieties **Hilti** servisā vai pie sava pārdošanas konsultanta.



- Neizmetiet elektroiekārtas, elektroniskas ierīces un akumulatorus sadzīves atkritumos!

10 RoHS (direktīva par bīstamo vielu izmantošanas ierobežošanu)

Lai apskatītu bīstamo vielu tabulu, izmantojiet šādu saiti: qr.hilti.com/r6025050.
Saiti uz RoHS tabulu jūs QR koda veidā atradīsiet šīs dokumentācijas beigās.

11 Ražotāja garantija

- Ar jautājumiem par garantijas nosacījumiem, lūdzu, vērsieties pie vietējā **Hilti** partnera.



1 Dokumentų duomenys

1.1 Apie šią instrukciją

- Prieš pradėdami eksploatuoti, perskaitykite šią instrukciją. Tai yra saugaus darbo ir patikimo naudojimo sąlyga.
- Laikykitės šioje instrukcijoje ir ant prietaiso pateiktų saugos nurodymų ir įspėjimų.
- Šią naudojimo instrukciją visada laikykite kartu su prietaisu, prietaisą kitiems asmenims perduokite tik kartu su šia instrukcija.

1.2 Ženklų paaiškinimas

1.2.1 Įspėjantieji nurodymai

Įspėjantieji nurodymai įspėja apie pavojus, gresiančius eksploatuojant prietaisą. Naudojami tokie signaliniai žodžiai:

PAVOJUS

PAVOJUS !

- ▶ Šis žodis vartojamas norint įspėti apie tiesiogiai gresiantį pavojų, kurio pasekmės yra sunkūs kūno sužalojimai arba žūtis.

ĮSPĖJIMAS

ĮSPĖJIMAS !

- ▶ Šis žodis vartojamas norint įspėti apie galimai gresiantį pavojų, kurio pasekmės gali būti sunkūs kūno sužalojimai arba žūtis.





ATSARGIAI

ATSARGIAI !

- ▶ Šis žodis vartojamas potencialiai pavojingai situacijai žymėti, kai yra lengvo kūno sužalojimo arba materialinių nuostolių grėsmė.




1.2.2 Instrukcijoje naudojami simboliai

Šioje instrukcijoje naudojami tokie simboliai:

	Prieš naudojant, perskaityti instrukciją
	Naudojimo nurodymai ir kita naudinga informacija
	Rodo, kad juo paženklintą medžiagą galima perdirbti
	Elektrinių prietaisų ir akumuliatorių nemesti į buitinius šiukšlynus

1.2.3 Ilustracijose naudojami simboliai

Ilustracijose naudojami šie simboliai:

	Šis skaitmenys nurodo atitinkamą iliustraciją šios instrukcijos pradžioje
3	Numeravimas nurodo darbinių veiksmų eiliškumą paveikslėlyje ir gali skirtis nuo tekste pateikto darbinių veiksmų numeravimo
	11 Pozicijų numeriai naudojami paveikslėlyje Apžvalga – jie nurodo skyrelyje Prietaiso vaizdas esančių paaiškinimų numerius
	Šiuo ženklu siekiama atkreipti ypatingą dėmesį į naudojamą šiuo prietaisu.

1.3 Specifiniai prietaiso simboliai

1.3.1 Simboliai ant prietaiso

Ant prietaiso naudojami tokie simboliai:



	II apsaugos klasė (su dviguba izoliacija)
	Techninės priežiūros indikatorius

1.4 Informacija apie prietaisą

HILTI gaminiai yra skirti profesionalams, todėl juos naudoti, techniškai prižiūrėti ir remontuoti leidžiama tik įgaliotam instruktuiotam personalui. Šis personalas turi būti supažindintas su visais galimais pavojais. Neapmokyto personalo, netinkamai arba ne pagal paskirtį naudojamas prietaisas ir jo reikmenys gali kelti pavojų.

Tipas ir serijos numeris yra nurodyti firminėje duomenų lentelėje.

- ▶ Serijos numerį perkelkite į toliau nurodytą lentelę. Kreipdamiesi su prietaisu susijusiais klausimais į mūsų atstovybę ar techninės priežiūros centrą, visada nurodykite šiuos prietaiso duomenis.

Prietaiso duomenys

Kirstuvus	TE 2000-AVR
Karta	01
Serijos Nr.	

1.5 Atitikties deklaracija

Prisiimdami visą atsakomybę pareiškiame, kad čia yra aprašytas gaminy s atitinka galiojančias direktyvas ir normas. Atitikties deklaracijos kopiją rasite šios instrukcijos gale.

Techninė dokumentacija saugoma čia:

Hilti Entwicklungsgesellschaft mbH | Zulassung Geräte | Hiltistraße 6 | 86916 Kaufering, DE

2 Sauga

2.1 Bendrieji saugos nurodymai dirbantiems su elektriniais įrankiais

⚠ [SPĖJIMAS Perskaitykite visus saugos nurodymus ir instrukcijas. Šių saugos nurodymų ir instrukcijų nesilaikymas gali tapti elektros smūgio, gaisro ir / arba sunkių sužalojimų priežastimi.

Išsaugokite visus saugos nurodymus ir instrukcijas, kad galėtumėte į juos pažvelgti ateityje.

Sauga darbo vietoje

- ▶ **Pasirūpinkite, kad darbo vieta visada būtų švari ir gerai apšviesta.** Netvarkinga ar blogai apšviesta darbo vieta gali tapti nelaimingų atsitikimų priežastimi.
- ▶ **Nenaudokite šio elektrinio įrankio sprogojeje aplinkoje, kurioje yra degių skysčių, dujų arba dulkių.** Veikiantys elektriniai įrankiai kibirkščiuoja, ir kibirkštys gali uždegti dulkes arba susikaupusius garus.
- ▶ **Dirbdami su elektriniu įrankiu, neleiskite darbo zonoje būti vaikams ir kitiems asmenims.** Atitraukę dėmesį nuo darbo, galite prietaiso nebesuvaldyti.

Apsauga nuo elektros

- ▶ **Prietaiso maitinimo kabelio kištukas turi atitikti elektros lizdo tipą.** Kištuko joku būdu negalima keisti. Nenaudokite tarpinių kištukų kartu su elektriniais įrankiais, turinčiais apsauginį įžeminimą. Nepakeisti kištukai ir tinkami elektros lizdai sumažina elektros smūgio riziką.
- ▶ **Venkite kūno kontakto su žemintais paviršiais, pvz., vamzdžiais, šildytuvais, viryklėmis ir šaldytuvais.** Kai žmogaus kūnas yra įžemintas, padidėja elektros smūgio tikimybė.
- ▶ **Saugokite elektrinius įrankius nuo lietaus ir drėgmės.** Į elektrinį įrankį patekus vandens, padidėja elektros smūgio rizika.
- ▶ **Nenaudokite maitinimo kabelio ne pagal paskirtį, t. y. neneškite elektrinio įrankio paėmę už kabelio, nekabinkite jo ant kabelio, netraukite už kabelio, norėdami ištraukti kištuką iš elektros lizdo. Maitinimo kabelį saugokite nuo karščio, alyvos / tepalo, aštrių briaunų ar judančių prietaiso dalių. Pažeisti arba susipynę kabeliai didina elektros smūgio riziką.**
- ▶ **Jei su elektriniu įrankiu dirbate lauke, naudokite tik tokius ilginimo kabelius, kurie tinka lauko darbams.** Naudojant lauko darbams pritaikytus ilginimo kabelius, sumažėja elektros smūgio rizika.
- ▶ **Jeigu elektrinio įrankio naudojimo drėgnoje aplinkoje negalima išvengti, į elektros tinklą jįjunkite per apsauginę nuotėkio relę.** Apsauginė nuotėkio relė mažina elektros smūgio riziką.

Žmonių sauga

- ▶ **Dirbdami su elektriniu įrankiu, būkite atidūs, sutelkite dėmesį į darbą ir vadovaukitės sveika nuovoka.** Elektrinio įrankio nenaudokite, jeigu esate pavargę arba apsvaigę nuo narkotinių



medžiagų, alkoholio ar vaistų. Neatidumo akimirka dirbant su elektriniu įrankiu gali tapti rimtu sužalojimų priežastimi.

- ▶ **Naudokite asmenines apsaugos priemones ir visuomet užsidėkite apsauginius akinius.** Naudojant asmenines apsaugos priemones, pvz., respiratorių, neslystančius apsauginius batus, apsauginį šalną, ausines ir kt., priklausomai nuo elektrinio įrankio tipo ir naudojimo, sumažėja rizika susižaloti.
- ▶ **Saugokitės, kad neįjungtumėte prietaiso atsitiktinai. Prieš imdami į rankas, nešdami ar prijungdami prie elektros tinklo, įsitikinkite, kad elektrinis įrankis yra išjungtas.** Jeigu nešdami elektrinį įrankį pirštą laikysite ant jungiklio arba įrankį įjungsite į elektros tinklą tuomet, kai jungiklis nėra išjungtas, gali įvykti nelaimingas atsitikimas.
- ▶ **Prieš įjungdami elektrinį įrankį, pašalinkite iš jo reguliavimo įrankius ar veržlinius raktus.** Besisukancioje prietaiso dalyje esantis įrankis ar paliktas raktas gali tapti sužalojimų priežastimi.
- ▶ **Venkite nepatogių kūno padėčių. Dirbdami stovėkite tvirtai ir visada išlaikykite kūno pusiausvyrą.** Taip galėsite geriau kontroliuoti elektrinį įrankį netikėtose situacijose.
- ▶ **Vilkėkite tinkamą aprangą. Nevilkėkite plačių drabužių, nesidėkite papuošalų. Saugokite plaukus, drabužius ir pirštines nuo besisukančių prietaiso dalių.** Laisvus drabužius, papuošalus ir ilgus plaukus gali įtraukti besisukančios prietaiso dalys.
- ▶ **Jei yra numatyta galimybė prijungti dulkių nusiurbimo ar surinkimo įrenginius, visada įsitikinkite, kad jie yra prijungti ir tinkamai naudojami.** Naudojant dulkių nusiurbimo įrenginį, gali sumažėti dulkių keliamo grėsmė.

Elektrinio įrankio naudojimas ir elgesys su juo

- ▶ **Prietaiso neperkraukite. Naudokite Jūsų darbui tinkamą elektrinį įrankį.** Su tinkamu elektriniu įrankiu dirbsite geriau ir saugiau, jei neviršysite nurodytos galios.
- ▶ **Nenaudokite elektrinio įrankio su sugedusiu jungikliu.** Elektrinis įrankis, kurio nebegalima įjungti ar išjungti, yra pavojingas ir jį reikia remontuoti.
- ▶ **Prieš vykdydami prietaiso nustatymus, keisdami reikmenis ar tiesiog padėdami prietaisą į šalį, maitinimo kabelio kištuką visada ištraukite iš elektros lizdo.** Ši atsargumo priemonė leis išvengti netikėto elektrinio įrankio įsijungimo.
- ▶ **Nenaudojamus elektrinius įrankius saugokite vaikams neprieinamoje vietoje. Neleiskite prietaisu naudotis asmenims, kurie nėra su juo susipažinę arba nėra perskaitę šios instrukcijos.** Elektriniai įrankiai yra pavojingi, kai juos naudoja patirties neturintys asmenys.
- ▶ **Elektrinius įrankius rūpestingai prižiūrėkite. Tikrinkite, ar judančios elektrinio įrankio dalys tinkamai funkcionuoja ir niekur neklūva, ar nėra sulūžusių ir pažeistų dalių, kurios blogintų įrankio veikimą. Prieš naudojimą pažeistos prietaiso dalys turi būti suremontuotos.** Blogai prižiūrimi elektriniai įrankiai yra daugelio nelaimingų atsitikimų priežastis.
- ▶ **Pjovimo įrankiai visuomet turi būti aštrūs ir švarūs.** Rūpestingai prižiūrėti pjovimo įrankiai su aštriomis pjovimo briaunomis mažiau stringa ir yra lengviau valdomi.
- ▶ **Elektrinį įrankį, reikmenis, keičiamuosius įrankius ir t. t. naudokite pagal šias instrukcijas. Taip pat atsižvelkite į darbo sąlygas ir atliekamo darbo pobūdį.** Elektrinius įrankius naudojant ne pagal paskirtį, gali kilti pavojingos situacijos.

Techninė priežiūra

- ▶ **Savo elektrinį įrankį patikėkite remontuoti tik kvalifikuotam specialistui, tam jis turi naudoti tik originalias atsargines dalis.** Taip galima užtikrinti, kad bus išlaikytas elektrinio įrankio naudojimo saugumas.

2.2 Saugos nurodymai smūginiams įrankiams

- ▶ **Dirbdami užsidėkite ausines.** Triukšmas gali pakenkti klausai.
- ▶ **Naudokite prietaiso komplekte esančias papildomas rankenas.** Prietaisui tapus nebevaldomam, galite susižaloti.
- ▶ **Vykdydami darbus, kurių metu keičiamasis įrankis gali liesti paslėptus elektros laidus ar nuosavą elektros maitinimo kabelį, prietaisą laikykite paėmę už izoliuotų rankenų paviršių.** Dėl kontakto su laidais, kuriais teka elektros srovė, metalinėse prietaiso dalyse taip pat gali atsirasti įtampa, todėl kyla elektros smūgio pavojus.

2.3 Papildomi saugos nurodymai dirbantiems su kirstuvu

Žmonių sauga

- ▶ Prietaisą naudokite tik tada, kai jis yra techniškai tvarkingas.
- ▶ Prietaisą draudžiama keisti ar kitaip juo manipuluoti.
- ▶ Kirsdami kalnu lubas, sienas ir grindis visada tvirtai ir saugiai stovėkite. Netikėtai prakirtę galite prarasti pusiausvyrą!



- ▶ Atlikdami sienų ar grindų pragręžimo ar prakirtimo darbus, apsaugokite kitoje pusėje esančią zoną. Medžiagos skeveldros gali iškristi ir / arba nukristi ir sužaloti kitus žmones.
- ▶ Naudotojas ir netoliese esantys asmenys darbo su prietaisu metu turi užsidėti apsauginius akinius, apsauginį šalną, ausines, mūvėti apsaugines pirštines ir užsidėti lengvą respiratorių.
- ▶ Apsaugines pirštines mūvėkite ir keisdami įrankį. Liesdami keičiamąjį įrankį, galite susipjaustyti ir nusideginti rankas.
- ▶ Dirbdami užsidėkite akių apsaugos priemonę. Medžiagų skeveldros gali sužaloti odą ir akis.
- ▶ Prieš pradėdami dirbti, nustatykite darbo metu kilsiančių dulkių kenksmingumo klasę. Naudokite licencijuotą statybinį dulkių siurbį, atitinkantį apsaugos klasę pagal vietoje galiojančias apsaugos nuo dulkių normas. Tam tikru medžiagų, pvz., dažų, kuriuose yra švino junginių, kai kurių medienos rūšių, betono / mūro / akmens, kuriuose yra kvarco ir kitų mineralų, taip pat metalo dulkės gali būti sveikatai kenksmingos.
- ▶ Pasirūpinkite, kad darbo vieta būtų gerai vėdinama, ir, jeigu reikia, užsidėkite atitinkamoms dulkėms skirtą kvėpavimo takus saugančią kaukę. Liečiamos ar įkvėptos tokios dulkės darbuotojui ar arti jo esantiems asmenims gali sukelti alergines reakcijas ir / arba kvėpavimo takų susirgimus. Ažuolo arba buko medienos dulkės gali sukelti vėžinius susirgimus, ypač tada, kai buvo naudojami priedai medienai apdoroti (chromatai, medienos konservantai). Medžiagas, kuriose yra asbesto, leidžiama apdoroti tik specialistams.
- ▶ Dirbdami darykite pertraukas ir atpalaidavimo pratimus pirštams, kad pagerėtų kraujotaka. Dirbant ilgesnį laiką, vibracijos gali sukelti pirštų, plaštakos ar riešo sąnario kraujagyslių ar nervų sistemos pažeidimus.

Apsauga nuo elektros

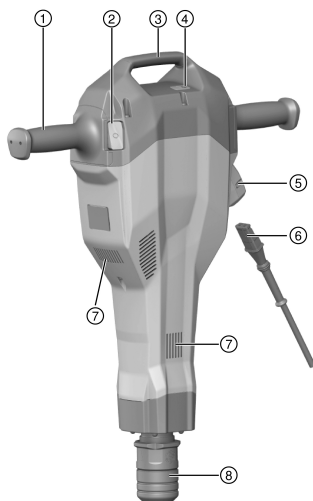
- ▶ Prieš pradėdami dirbti, patikrinkite, ar darbo zonoje nėra paslėptų elektros laidų, dujų ar vandentiekio vamzdžių. Netyčia pažeidus elektros kabelį, išorinėse metalinėse prietaiso dalyse gali atsirasti įtampa, kelianti elektros smūgio pavojų.

Atsargus elektrinių įrankių naudojimas ir elgesys su jais

- ▶ Prieš elektrinį įrankį padėdami, palaukite, kol jis visiškai sustos.

3 Aprašymas

3.1 TE 2000-AVR vaizdas



- ① Rankena
- ② Jungiklis
- ③ Nešimo rankena
- ④ Techninės priežiūros indikatorius
- ⑤ Maitinimo kabelio kištukas
- ⑥ Įkišamas elektros maitinimo kabelis
- ⑦ Vėdinimo plyšiai
- ⑧ Įrankio griebtuvas



3.2 Transportinio vežimėlio vaizdas 2

- | | |
|--|---|
| ① Rankena | ④ Ratai |
| ② Fiksavimo apkaba | ⑤ Rato tvirtinimas (poveržlė, vielokaištis) |
| ③ Laikiklis eksploatacinėms medžiagoms (kaltams) | ⑥ Mašinos fiksavimo strypas |

3.3 Naudojimas pagal paskirtį

Aprašytasis prietaisas yra rankinis kirstuvas. Jis yra skirtas betono, mūro ir asfalto kirtimo darbams. Jį galima naudoti ir plūkimui bei duobių kasimui.

Su prietaisu dirbkite tik įjungę jį į elektros tinklą, kurio įtampa ir dažnis atitinka reikšmes, nurodytas prietaiso firminėje duomenų lentelėje.

3.4 Numatomas netinkamo naudojimo atvejais

- Prietaisą leidžiama naudoti tik sausoje aplinkoje.
- Nenaudokite prietaiso ten, kur yra gaisro ir sprogo pavojus.
- Draudžiama apdoroti sveikatai pavojingas medžiagas (pvz., asbestą).

3.5 Active Vibration Reduction

Prietaise yra įrengta Active Vibration Reduction (AVR) sistema, kuri stipriai mažina vibraciją.

3.6 Techninės priežiūros indikatoriai

Kirstuve yra įrengtas techninės priežiūros indikatoriai su šviesos signalu.

Būsena	Reikšmė
Techninės priežiūros indikatoriai šviečia raudona spalva.	Laikas atlikti techninės priežiūros darbus. Kad prietaisas visada būtų parengtas naudoti, jį laiku pristaikite į Hilti techninės priežiūros centrą. Prietaisas sugedo.
Techninės priežiūros indikatoriai mirksi raudona spalva.	Apsauga nuo perkaitimo Elektros tinkle yra per didelė įtampa.

3.7 Tiekiamas komplektas

Kirstuvas, įkišamas elektros maitinimo kabelis, naudojimo instrukcija, tirštasis tepalas. Transportinis vežimėlis yra siūlomas kaip reikmuo.

Daugiau Jūsų turimam prietaisui skirtų sisteminių reikmenų rasite vietiniame **Hilti** techninės priežiūros centre arba tinklalapyje www.hilti.group

4 Techniniai duomenys

4.1 Kirstuvas

Nominalioji maitinimo įtampa, nominalioji srovė, dažnis ir / arba nominali vartojamoji galia yra nurodyti Jūsų šaliai galiojančioje firminėje duomenų lentelėje.

Prietaisą maitinant iš generatoriaus arba transformatoriaus, šių įrenginių atiduodamoji galia turi būti bent dvigubai didesnė už prietaiso firminėje duomenų lentelėje nurodytą nominalią vartojamąją galią. Generatoriaus arba transformatoriaus darbinės įtampos reikšmė bet kuriuo metu turi būti prietaiso nominalios maitinimo įtampos +5 % ir -15 % ribose.

	TE 2000-AVR
Svoris pagal EPTA-Procedure 01	14,5 kg
Smūgių skaičius	30 Hz
Apsaugos klasė	II



4.2 Informacija apie triukšmą ir vibracijos reikšmės pagal EN 60745

Šiuose nurodymuose pateiktos garso slėgio ir vibracijos reikšmės yra išmatuotos taikant standartizuotą matavimo metodą ir gali būti naudojamos elektriniams įrankiams palyginti tarpusavyje. Jos taip pat tinka šių veiksmų poveikiui iš anksto įvertinti. Nurodytieji duomenys yra susieti su pagrindinėmis šio elektrinio įrankio naudojimo sritimis. Jeigu elektrinis įrankis bus naudojamas kitaip, su skirtingais keičiamaisiais įrankiais arba bus nepakankamai techniškai prižiūrimas, šie duomenys gali skirtis nuo nurodytųjų. Tai gali gerokai padidinti šių veiksmų poveikį per visą darbo laikotarpį. Norint tiksliai įvertinti poveikį, reikėtų įvertinti ir laiką, kai prietaisas yra išjungtas, arba, nors ir įjungtas, juo faktiškai nedirbama. Toks įvertinimas gali smarkiai sumažinti poveikio per visą darbo laikotarpį reikšmę. Imkitės papildomų saugos priemonių, kad darbuotojas būtų apsaugotas nuo triukšmo ir / arba vibracijos poveikio, pavyzdžiui, reikalaukite tinkamos elektrinio įrankio ir keičiamųjų įrankių techninės priežiūros, pasirūpinkite, kad darbuotojų rankos visada būtų šiltos, užtikrinkite tinkamą darbo organizavimą.

Skleidžiamo triukšmo lygio reikšmės

Išmatuotas garso stiprumo lygis (L_{WA})	97 dB(A)
Garantuotas garso stiprumo lygis ($L_{WA,d}$)	100 dB(A)
Garso stiprumo lygio paklaida (K_{WA})	3 dB(A)
Skleidžiamo garso slėgio lygis (L_{pA})	77 dB(A)
Garso slėgio lygio paklaida (K_{pA})	3 dB(A)

Vibracijos reikšmės

Kirtimas kalnu ($a_{n, Ched}$)	4,8 m/s ²
Paklaida (K)	1,5 m/s ²

5 Naudojimas

5.1 Pasiruošimas darbui

ATSARGIAI

Sužalojimo pavojus! Atsitiktinis prietaiso įjungimas.

- Prieš nustatydami prietaisą ar keisdami reikmenis, maitinimo kabelio kištuką ištraukite iš elektros lizdo.

Laikykites šioje instrukcijoje ir ant prietaiso pateiktų saugos nurodymų ir įspėjimų.

5.1.1 Elektros maitinimo kabelio prijungimas prie prietaiso



Atskiriama kištukinę jungtį kišti į prietaisą leidžiama tik tada, kai ji yra švari, sausa ir kai jos kontaktuose nėra įtampos. Jungtis yra koduota.

1. Elektros maitinimo kabelį išimkite iš transportinės pakuotės.
2. Kištukinę jungtį kiškite į prietaisą, kol fiksatorius girdimai užsifiksuos.
3. Maitinimo kabelio kištuką įstatykite į elektros lizdą.

5.1.2 Keičiamojo įrankio įdėjimas

1. Maitinimo kabelio kištuką ištraukite iš elektros lizdo.
2. Keičiamojo įrankio kotą šiek tiek patepkite tirštuoju tepalu.
 - ↳ Naudokite tik originalų **Hilti** tirštąjį tepalą. Netinkamas tepalas gali prietaisą pažeisti.
3. Keičiamąjį įrankį įstatykite į įrankio griebtuvą ir, lengvai spausdami, sukite, kol girdimai užsifiksuos.
4. Patraukę įrankį patikrinkite, ar jis gerai užsifiksavo.

5.1.3 Keičiamojo įrankio išėmimas

ATSARGIAI

Sužalojimo pavojus! Keičiamasis įrankis gali būti karštas ir / arba turėti aštrias briaunas.

- Keisdami keičiamąjį įrankį, mūvėkite apsaugines pirštines.
- Karšto keičiamojo įrankio niekada nedėkite ant degių paviršių.

1. Maitinimo kabelio kištuką ištraukite iš elektros lizdo.



2. Įrankio fiksatorių traukite atgal, kol atsirems.
3. Išimkite keičiamąjį įrankį.

5.2 Darbas

ĮSPĖJIMAS

Pavojų kelia elektros smūgis! Nesant žeminimo laido ir apsauginės nuotėkio relės, gresia sunkūs sužalojimai ir nudegimai.

- ▶ Kontroliuokite, kad statybvietės elektros prievade – tiek elektros tinklo, tiek ir generatoriaus – visada būtų žeminimo laidas ir apsauginė nuotėkio relė ir kad jie būtų prijungti.
- ▶ Nesant šių saugos priemonių, jokio prietaiso eksploatuoti nepradėkite.

ĮSPĖJIMAS

Pavojų kelia pažeistas kabelis! Nesilieskite prie maitinimo kabelio, jeigu darbo metu jis buvo apgadintas. aitinimo kabelio kištuką ištraukite iš elektros lizdo.

- ▶ Nuolat tikrinkite prietaiso maitinimo kabelį; pažeistą kabelį turėtų pakeisti kvalifikuotas specialistas.

Iš statybos vadovybės gaukite leidimą visiems darbams vykdyti!

5.2.1 Kirtimas kalnu

1. Maitinimo kabelio kištuką įstatykite į elektros lizdą.
2. Kalną pastatykite į norimą padėtį.
3. Spauskite jungiklį.



Darbas esant žemai temperatūrai:

Prieš įsijungiant smūginiam mechanizmui, prietaisas turi pasiekti minimalią darbinę temperatūrą. Kad ją pasiektumėte, padėkite prietaisą ant apdirbamojo paviršiaus ar grindų ir leiskite trumpai veikti tuščiąja eiga. Jei reikia, pakartokite šį procesą, kol smūginis mechanizmas pradės veikti.

5.2.2 Išjungimas

1. Spauskite jungiklį.
2. Maitinimo kabelio kištuką ištraukite iš elektros lizdo.

5.2.3 Darbiniai nurodymai



Kalną galima fiksuoti 6-ose padėtyse (60° žingsniu). Todėl plokščiuoju ir profiliniu kalnu visada galima dirbti pasirinkus atitinkamą optimalią darbinę padėtį.

- ▶ Kalną pridėkite maždaug 80–100 mm (3¼ – 4") atstumu nuo briaunos.
- ▶ Apdorodami gelžbetonį, kalną visada statykite prie medžiagos briaunos, o ne prie armatūrinio plieno.
- ▶ Kirtimo procesą pradėkite, kalną laikydami 70°... 80° kampu į betoninį paviršių ir jo smaigalį nukreipę briaunos link. Tada kalto kampą didinkite 90° link ir taip atskelkite medžiagą.
- ▶ Kalną reguliariai apsuokite, nes tolygus jo dėvėjimasis skatina savaiminį pasigalandimą.
- ▶ Kai spaudimo jėga per maža, kaltas šokinėja. Kai spaudimo jėga per didelė, mažėja kirtimo galia.

6 Papildomai užsakomas transportinis vežimėlis

6.1 Transportavimas

Transportinis vežimėlis užtikrina saugų kirstuvo transportavimą.

- Pasirūpinkite, kad transportinis vežimėlis stovėtų stabiliai.
- Prietaisą pastatykite ant tam skirto mašinos fiksavimo strypo ir transportuodami visada apsaugokite laikančiąją apkabą.
- Kaltus įstatykite į tam tikslui numatytą laikiklį, kol užsifiksuos.
- Transportavimui pasirinkite saugų kelią.
- Transportinio vežimėlio nestatykite ant nuožulnaus paviršiaus.



7 Prižiūra ir einamasis remontas

ĮSPĖJIMAS

Pavojų kelia elektros smūgis! Prižiūra ir einamasis remontas, kai maitinimo kabelio kištukas įstatytas į elektros lizdą, gali tapti sunkių sužalojimų ir nudegimų priežastimi.

- ▶ Prieš pradėdami bet kokius prižiūros ir einamojo remonto darbus, maitinimo kabelio kištuką ištraukti iš elektros lizdo!

Prižiūra

- Atsargiai pašalinti pilipusius nešvarumus.
- Vėdinimo plyšius atsargiai išvalyti sausu šepetėliu.
- Korpusą valyti tik šiek tiek sudrėkinta šluoste. Nenaudoti silikono turinčių prižiūros priemonių, nes jos gali pakenkti plastikinėms detalėms.

Einamasis remontas

ĮSPĖJIMAS

Pavojų kelia elektros smūgis! Netinkamas elektrinių komponentų remontas gali tapti sunkių sužalojimų ir nudegimų priežastimi.

- ▶ Remontuoti elektrines įrenginio dalis leidžiama tik kvalifikuotiems elektrikams.
- Reguliariai tikrinti, ar matomos dalys nėra pažeistos ir ar valdymo elementai veikia nepriklausomai.
- Pažeisto ir / arba turinčio veikimo sutrikimų prietaiso nenaudoti. Nedelsiant kreiptis į **Hilti** techninės prižiūros centrą dėl remonto.
- Baigus techninės prižiūros ir einamojo remonto darbus, sumontuoti visus apsauginius įtaisus ir patikrinti jų veikimą.



Kad eksploatacija būtų patikima, naudokite tik originalias atsargines dalis ir eksploatacines medžiagas. Mūsų aprobuotas atsargines dalis, eksploatacines medžiagas ir reikmenis savo prietaisui rasite vietinėje **Hilti Store** arba tinklalapyje www.hilti.group.

8 Pagalba sutrikus veikimui

Pasitaikius sutrikimų, kurie nėra aprašyti šioje lentelėje arba kurių negalite pašalinti patys, kreipkitės į **Hilti** techninės prižiūros centrą.

8.1 Sutrikimų lentelė

Sutrikimas	Galima priežastis	Sprendimas
Prietaisas neįsijungia	Vyksta elektroninės sistemos iniciacija (įstačius kištuką, ji trunka maždaug 4 sekundes)	▶ Prietaisą išjungti ir vėl įjungti.
	Nutrūko elektros energijos tiekimas	▶ Įjunkite kitą elektrinį prietaisą, patikrinkite funkcijas.
	Tinklo laido ar kištuko gedimas	▶ Duokite elektrikui patikrinti ir, jeigu reikia, pakeisti.
	Generatorius veikia budėjimo režimu (Sleep Mode)	▶ Apkraukite generatorių antruoju energijos vartotoju (pvz., statybinio šviestuvu). Paskui prietaisą išjunkite ir vėl įjunkite.
Prietaisas nesmūgiuoja	Prietaisas per šaltas.	▶ Pašildykite prietaisą iki minimalios temperatūros.
	Prietaiso gedimai	▶ Prietaisą pristatykite remontuoti į Hilti techninės prižiūros centrą.
Prietaisas neįsijungia arba darbo metu išsijungia ir indikatorius mirksi raudona spalva	Laikinas sutrikimas (pvz., perkaitimas arba per didelė įtampa)	▶ Prietaisą išjungti, leisti atvėsti arba prijungti prie kito elektros maitinimo tinklo.



Sutrikimas	Galima priežastis	Sprendimas
Prietaisas veikia, tačiau indikatorius nuolat šviečia raudona spalva	Išpėjimas apie techninės priežiūros būtinybę	► Techninės priežiūros arba remonto darbus patikėkite Hilti techninės priežiūros centrui.
Prietaisas neįsijungia arba darbo metu išsijungia	Per ilgas ilginimo kabelis arba per mažas jo laidų skerspjūvio plotas.	► Naudoti leistino ilgio ir pakankamo laidų skerspjūvio ploto ilginimo kabelį.
	Įkišamas elektros maitinimo kabelis netinkamai įstatytas į lizdą.	► Įkišamą elektros maitinimo kabelį tinkamai prijunkite prie elektrinio prietaiso.

9 Utilizavimas

Hilti prietaisai yra pagaminti iš medžiagų, kurias galima naudoti antrą kartą. Būtina antrinio perdirbimo sąlyga yra tinkamas medžiagų išrūšiavimas. Daugelyje šalių **Hilti** priims Jūsų nebenaudojamą prietaisą perdirbti. Apie tai galite pasiteirauti artimiausiame **Hilti** techninės priežiūros centre arba savo prekybos konsultanto.



- Elektrinių įrankių, elektroninių prietaisų ir akumuliatorių neišmeskite į buitinius šiukšlynus!

10 RoHS (direktyva dėl pavojingų medžiagų naudojimo ribojimo)

Pavojingų medžiagų lentelę rasite spausdami šią nuorodą: qr.hilti.com/r6025050.
Nuorodą į RoHS lentelę rasite kaip QR kodą šios instrukcijos gale.

11 Gamintojo teikiama garantija

- Kilus klausimų dėl garantijos sąlygų, kreipkitės į vietinį **Hilti** partnerį.



1 Указания к документации

1.1 Об этом документе



Импортер и уполномоченная изготовителем организация

- (RU) Российская Федерация
АО "Хилти Дистрибьюшн ЛТД", 141402, Московская область, г. Химки, ул. Ленинградская, стр. 25
- (BY) Республика Беларусь
222750, Минская область, Дзержинский район, Р-1, 18-й км, 2 (около д. Слободка), помещение 1-34
- (KZ) Республика Казахстан
Республика Казахстан, индекс 050011, г. Алматы, ул. Пугачева 4
- (KG) Киргизская Республика
ОсОО "Т AND Т", 720021, Кыргызстан, Бишкек, ул. Ибраимова 29 А
- (AM) Республика Армения
ООО Эйч-Кон, Республика Армения, г. Ереван, ул. Бабаяна 10/1

Страна производства: см. маркировочную табличку на оборудовании.

Дата производства: см. маркировочную табличку на оборудовании.

Соответствующий сертификат можно найти по адресу: www.hilti.ru

Специальных требований к условиям хранения, транспортировки и использования, кроме указанных в руководстве по эксплуатации, нет.

Срок службы изделия составляет 5 лет.

- Ознакомьтесь с этим документом перед началом работы. Это является залогом безопасной работы и бесперебойной эксплуатации.
- Соблюдайте указания по технике безопасности и предупреждающие указания, приводимые в данном документе и на изделии.
- Храните руководство по эксплуатации всегда рядом с электроинструментом и передавайте электроинструмент будущим владельцам только вместе с этим руководством.

1.2 Пояснение к знакам (условным обозначениям)

1.2.1 Предупреждающие указания

Предупреждающие указания служат для предупреждения об опасностях при обращении с машиной. Используются следующие сигнальные слова:



ОПАСНО !

- ▶ Общее обозначение непосредственной опасной ситуации, которая влечет за собой тяжелые травмы или смертельный исход.



ПРЕДУПРЕЖДЕНИЕ !

- ▶ Общее обозначение потенциально опасной ситуации, которая может повлечь за собой тяжелые травмы или смертельный исход.



ОСТОРОЖНО !

- ▶ Общее обозначение потенциально опасной ситуации, которая может повлечь за собой легкие травмы или повреждение оборудования.

1.2.2 Символы, используемые в руководстве

В этом руководстве используются следующие символы:



Перед использованием прочтите руководство по эксплуатации.



	Указания по эксплуатации и другая полезная информация
	Обращение с материалами, пригодными для вторичной переработки
	Не выбрасывайте электроустройства и аккумуляторы вместе с обычным мусором!

1.2.3 Символы на изображениях

На изображениях используются следующие символы:

	Эти цифры указывают на соответствующее изображение в начале данного руководства.
	Нумерация на изображениях отображает порядок выполнения рабочих операций и может отличаться от нумерации, используемой в тексте.
	Номера позиций используются в обзорном изображении. В обзоре изделия они указывают на номера в экспликации.
	Этот знак должен привлечь особое внимание пользователя при обращении с изделием.

1.3 Символы в зависимости от изделия

1.3.1 Символы на изделии

На изделии используются следующие символы:

	Класс защиты II (двойная изоляция)
	Сервисный индикатор

1.4 Информация об изделии

Изделия предназначены для профессионального использования, поэтому они должны обслуживаться и ремонтироваться только уполномоченным и обученным персоналом. Этот персонал должен пройти специальный инструктаж по технике безопасности. Использование изделия и его оснастки не по назначению или его эксплуатация необученным персоналом могут представлять опасность.

Типовое обозначение и серийный номер указаны на заводской табличке.

- Перепишите серийный номер в нижеприведенную табличную форму. Данные изделия необходимы при обращении в наше представительство или сервисный центр.

Указания к изделию

Отбойный молоток	TE 2000-AVR
Поколение	01
Серийный №	

1.5 Декларация соответствия нормам

Настоящим мы с полной ответственностью заявляем, что данное изделие соответствует действующим директивам и нормам. Копию декларации соответствия нормам см. в конце этого документа.

Техническая документация (оригиналы) хранится здесь:

Hilti Entwicklungsgesellschaft mbH | Zulassung Geräte | Hiltistraße 6 | 86916 Kaufering, Германия

2 Безопасность

2.1 Общие указания по технике безопасности для электроинструментов

ПРЕДУПРЕЖДЕНИЕ Прочтите все указания по мерам безопасности и инструкции. Невыполнение приведенных ниже указаний может привести к поражению электрическим током, пожару и/или вызвать тяжелые травмы.

Сохраните все указания по технике безопасности и инструкции для следующего пользователя.



Безопасность рабочего места

- ▶ Следите за чистотой и хорошей освещенностью на рабочем месте. Беспорядок на рабочем месте или плохое освещение могут привести к несчастным случаям.
- ▶ Не используйте электроинструмент во взрывоопасной зоне, где имеются горючие жидкости, газы или пыль. При работе электроинструмент искрит, и искры могут воспламенить пыль или пары.
- ▶ Не разрешайте детям и посторонним приближаться к работающему электроинструменту. Отвлекаясь от работы, можно потерять контроль над электроинструментом.

Электрическая безопасность

- ▶ Соединительная вилка электроинструмента должна соответствовать розетке электросети. Не изменяйте конструкцию вилки! Не используйте переходные вилки с электроинструментами с защитным заземлением. Оригинальные вилки и соответствующие им розетки снижают риск поражения электрическим током.
- ▶ Избегайте непосредственного контакта с заземленными поверхностями, например, с трубами, отопительными приборами, газовыми/электрическими плитами и холодильниками. При соприкосновении с заземленными предметами возникает повышенный риск поражения электрическим током.
- ▶ Предохраняйте электроинструменты от дождя или воздействия влаги. В результате попадания воды в электроинструмент возрастает риск поражения электрическим током.
- ▶ Не используйте кабель не по назначению, например, для переноски электроинструмента, его подвешивания или для выдергивания вилки из розетки электросети. Защищайте кабель от воздействий высоких температур, масла, острых кромок или вращающихся узлов электроинструмента. В результате повреждения или схлестывания кабеля повышается риск поражения электрическим током.
- ▶ Если работы выполняются на открытом воздухе, применяйте только удлинительные кабели, которые разрешено использовать вне помещений. Применение удлинительного кабеля, пригодного для использования вне помещений, снижает риск поражения электрическим током.
- ▶ Если нельзя избежать работы с электроинструментом в условиях влажности, используйте автомат защиты от тока утечки. Использование автомата защиты от тока утечки снижает риск поражения электрическим током.

Безопасность персонала

- ▶ Будьте внимательны, следите за своими действиями и серьезно относитесь к работе с электроинструментом. Не пользуйтесь электроинструментом, если вы устали или находитесь под действием наркотиков, алкоголя или медикаментов. Незначительная ошибка при невнимательной работе с электроинструментом может стать причиной серьезного травмирования.
- ▶ Применяйте средства индивидуальной защиты и всегда обязательно надевайте защитные очки. Использование средств индивидуальной защиты, например, респиратора, защитной обуви на нескользящей подошве, защитной каски или защитных наушников, в зависимости от вида и условий эксплуатации электроинструмента, снижает риск травмирования.
- ▶ Избегайте непреднамеренного включения электроинструмента. Убедитесь в том, что электроинструмент выключен, прежде чем подключать его к электросети, поднимать или переносить электроинструмент. Если при перемещении электроинструмента ваш палец окажется на выключателе или произойдет подача питания на включенный электроинструмент, это может привести к несчастному случаю.
- ▶ Перед включением электроинструмента удалите регулировочные приспособления и гаечный ключ. Инструмент или гаечный ключ, находящийся во вращающейся части электроинструмента, может привести к травмам.
- ▶ Старайтесь избегать неестественных поз при работе. Постоянно сохраняйте устойчивое положение и равновесие. Это позволит лучше контролировать электроинструмент в непредвиденных ситуациях.
- ▶ Носите спецодежду. Не надевайте очень свободной одежды или украшений. Оберегайте волосы, одежду и перчатки от вращающихся узлов/деталей электроинструмента. Свободная одежда, украшения или длинные волосы могут быть захвачены ими.
- ▶ Если предусмотрено подсоединение устройств для удаления и сбора пыли, убедитесь в том, что они подсоединены и используются по назначению. Использование пылеудаляющего модуля снижает вредное воздействие пыли.

Использование и обслуживание электроинструмента

- ▶ Не допускайте перегрузки электроинструмента. Используйте электроинструмент, предназначенный именно для данной работы. Соблюдение этого правила обеспечит более высокое качество и безопасность работы в указанном диапазоне мощности.



- ▶ **Не используйте электроинструмент с неисправным выключателем.** Электроинструмент, включение или выключение которого затруднено, представляет опасность и должен быть отремонтирован.
- ▶ **Прежде чем настраивать электроинструмент, заменять принадлежности или делать перерыв в работе, вынимайте вилку из розетки электросети.** Данная мера предосторожности позволит предотвратить непреднамеренное включение электроинструмента.
- ▶ **Храните неиспользуемые электроинструменты в местах, недоступных для детей. Не позволяйте использовать электроинструмент лицам, которые не ознакомлены с ним или не читали данных инструкций.** Электроинструменты представляют собой опасность в руках неопытных пользователей.
- ▶ **Бережно обращайтесь с электроинструментами. Проверяйте безупречное функционирование подвижных частей, легкость их хода, целостность или отсутствие повреждений, которые могли бы отрицательно повлиять на работу электроинструмента. Сдавайте поврежденные части электроинструмента в ремонт до его использования.** Причиной многих несчастных случаев является несоблюдение правил технического обслуживания электроинструментов.
- ▶ **Необходимо следить за тем, чтобы режущие инструменты были острыми и чистыми.** Заклинивание содержащихся в рабочем состоянии режущих инструментов происходит реже, ими легче управлять.
- ▶ **Применяйте электроинструмент, принадлежности, рабочие инструменты и т. д. согласно данным указаниям. Учитывайте при этом рабочие условия и характер выполняемой работы.** Использование электроинструментов не по назначению может привести к опасным ситуациям.

Сервис

- ▶ **Доверяйте ремонт своего электроинструмента только квалифицированному персоналу, использующему только оригинальные запчасти.** Этим обеспечивается поддержание электроинструмента в безопасном и исправном состоянии.

2.2 Указания по технике безопасности при работе с перфораторами

- ▶ **Надевайте защитные наушники.** В результате воздействия шума возможна потеря слуха.
- ▶ **Используйте дополнительные рукоятки, которые входят в комплект инструмента.** Потеря контроля над инструментом может привести к травмам.
- ▶ **При опасности повреждения рабочим инструментом скрытой электропроводки или сетевого кабеля держите электроинструмент за изолированные поверхности.** При контакте с токопроводящими предметами незащищенные металлические части электроинструмента находятся под напряжением, что может привести к поражению электрическим током.

2.3 Дополнительные указания по технике безопасности при работе с отбойным молотком

Безопасность персонала

- ▶ Используйте электроинструмент только в технически исправном состоянии.
- ▶ Внесение изменений в конструкцию электроинструмента или его модификация категорически запрещаются.
- ▶ При долблении потолочных перекрытий, стен и полов будьте осторожны и следите за устойчивостью своей рабочей позы. Внезапный проход инструмента насквозь может вывести вас из равновесия!
- ▶ При изготовлении сквозных проемов ограждайте опасную зону с противоположной стороны стены. Вылетающие наружу и/или падающие вниз осколки могут травмировать других людей.
- ▶ Во время работы с электроинструментом пользователь и находящиеся в непосредственной близости лица должны использовать защитные очки, защитную каску, защитные наушники, защитные перчатки и легкий респиратор.
- ▶ При замене рабочего инструмента надевайте защитные перчатки. Соблюдайте осторожность при замене рабочего инструмента — контакт с ним может привести к порезам и ожогам.
- ▶ Пользуйтесь защитными очками. Осколки материала могут травмировать тело и глаза.
- ▶ Перед началом работы выясните по материалу заготовки класс опасности возникающей пыли. Для работы с электроинструментом используйте строительный (промышленный) пылесос, степень защиты которого соответствует нормам пылезасщиты, действующим в месте эксплуатации. Пыль, возникающая при обработке лакокрасочных покрытий, содержащих свинец, некоторых видов древесины, бетона/кирпичной и каменной кладки с частицами кварца, минералов, а также металла может представлять опасность для здоровья.
- ▶ Обеспечьте оптимальную вентиляцию рабочей зоны и при необходимости надевайте респиратор, который подходит для защиты от конкретного вида пыли. Вдыхание частиц такой пыли или контакт с



ней может стать причиной появления аллергических реакций и/или заболеваний дыхательных путей как у пользователя, так и у находящихся поблизости лиц. Некоторые виды пыли (например, пыль, возникающая при обработке дуба или бука) считаются канцерогенными, особенно в комбинации с дополнительными материалами, используемыми для обработки древесины (соль хромовой кислоты, средства защиты древесины). К работам с асбестосодержащим материалом должны допускаться только специалисты.

- ▶ Чтобы во время работы руки не затекали, время от времени делайте упражнения для расслабления и разминки пальцев. При длительной работе возникающие вибрации могут привести к нарушениям кровоснабжения сосудов или в нервных окончаниях пальцев/кистей рук или в запястьях.

Электрическая безопасность

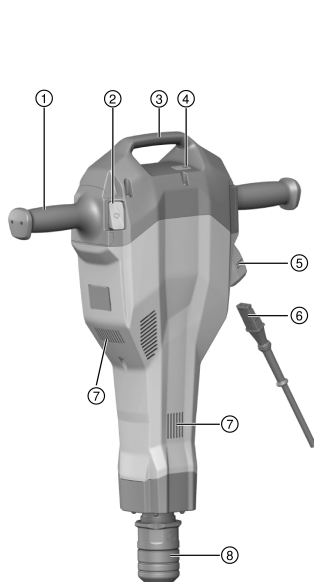
- ▶ Перед началом работы проверяйте рабочее место на наличие скрытой электропроводки, газо- и водопроводных труб. Открытые металлические части электроинструмента могут стать проводниками электрического тока, если случайно задеть электропроводку.

Бережное обращение с электроинструментами и их правильная эксплуатация

- ▶ Дождитесь, пока электроинструмент полностью не остановится, прежде чем отложить его в сторону.

3 Назначение

3.1 Обзор TE 2000-AVR 1



- ① Рукоятка
- ② Выключатель
- ③ Ручка для переноски
- ④ Сервисный индикатор
- ⑤ Разъем для подключения кабеля электропитания
- ⑥ Съёмный кабель электропитания
- ⑦ Вентиляционные прорези
- ⑧ Зажимной патрон

3.2 Обзор транспортировочной тележки 2

- ① Рукоятка
- ② Стопорная скоба
- ③ Держатель для расходного материала (зубил)
- ④ Колеса
- ⑤ Крепление колеса (шайба, шплинт)
- ⑥ Зажимная оправка (для фиксации электроинструмента)



3.3 Использование по назначению

Данный инструмент представляет собой ручной отбойный молоток. Он предназначен для долбления бетона, кирпичной кладки и асфальта. Кроме того, его можно использовать для трамбования и выемки грунта.

Его эксплуатация возможна только при напряжении и частоте электросети, соответствующих указанным на заводской табличке.

3.4 Варианты использования не по назначению

- Электроинструмент может использоваться только в сухих местах.
- Не используйте его там, где существует опасность пожара и взрыва.
- Сбор опасных для здоровья материалов (например, асбеста) запрещается.

3.5 Active Vibration Reduction

Электроинструмент оснащен системой Active Vibration Reduction (AVR), которая обеспечивает заметное снижение вибраций.

3.6 Сервисный индикатор

Отбойный молоток оснащен сервисным индикатором со световым сигналом.

Состояние	Значение
Сервисный индикатор горит красным.	Срок службы электроинструмента достиг предела, при котором требуется сервисное обслуживание. Своевременно доставляйте электроинструмент в сервисный центр Hilti , чтобы обеспечить его постоянную готовность к работе. Неисправности в электроинструменте
Сервисный индикатор мигает красным.	Сработала защита от перегрева. Слишком высокое напряжение электропитания.

3.7 Комплект поставки

Отбойный молоток, съемный кабель электропитания, руководство по эксплуатации, пластиковая смазка. Транспортировочная тележка предлагается как принадлежность.

Другие, допущенные для использования с вашим изделием, системные принадлежности вы найдете в ближайшем сервисном центре **Hilti** или на сайте www.hilti.group

4 Технические данные

4.1 Отбойный молоток

Номинальное напряжение, номинальный ток, частота и/или номинальная потребляемая мощность указаны на заводской табличке (данные могут варьироваться в зависимости от экспортного исполнения).

При запитывании от генератора/трансформатора его выходная мощность должна быть как минимум вдвое выше номинальной потребляемой мощности, которая указана на заводской табличке электроинструмента. Рабочее напряжение трансформатора или генератора должно всегда находиться в диапазоне между +5 % и -15 % номинального напряжения электроинструмента.

	TE 2000-AVR
Масса согласно методу EPTA 01	14,5 кг
Частота ударов	30 Гц
Класс защиты	II



4.2 Данные по шуму и вибрациям согласно EN 60745

Приводимые здесь значения уровня звукового давления и вибрации были измерены согласно стандартизированной процедуре измерения и могут использоваться для сравнения электроинструментов между собой. Они также подходят для предварительной оценки вредных воздействий. Указанные данные применимы к основным областям применения электроинструмента. Однако, если электроинструмент используется для других целей, с другими рабочими (сменными) инструментами или в случае его неудовлетворительного технического обслуживания, данные могут быть иными. Вследствие этого в течение всего периода работы электроинструмента возможно значительное увеличение вредных воздействий. Для точного определения вредных воздействий следует также учитывать промежутки времени, в течение которых электроинструмент находится в выключенном состоянии или работает вхолостую. Вследствие этого в течение всего периода работы электроинструмента возможно заметное уменьшение вредных воздействий. Примите дополнительные меры безопасности для защиты пользователя от воздействия возникающего шума и/или вибраций, например: техническое обслуживание электроинструмента и рабочих инструментов, сохранение тепла рук, правильная организация рабочих процессов.

Значения уровня шума

Измеренный уровень звуковой мощности (L_{WA})	97 дБ(А)
Гарантированный уровень звуковой мощности ($L_{WA,G}$)	100 дБ(А)
Погрешность уровня звуковой мощности (K_{WA})	3 дБ(А)
Значение уровня звукового давления (L_{pA})	77 дБ(А)
Погрешность уровня звукового давления (K_{pA})	3 дБ(А)

Данные по вибрации

Долбление ($a_{h, Cheq}$)	4,8 м/с ²
Коэффициент погрешности (К)	1,5 м/с ²

5 Эксплуатация

5.1 Подготовка к работе

ОСТОРОЖНО

Опасность травмирования! Непреднамеренное включение электроинструмента

- Перед регулировкой электроинструмента или заменой принадлежностей вынимайте вилку из розетки электросети.

Соблюдайте указания по технике безопасности и предупреждающие указания, приводимые в данном документе и на изделии.

5.1.1 Подключение кабеля электропитания к электроинструменту



Разъемное штекерное соединение следует подключать к электроинструменту только в чистом, сухом и обесточенном состоянии. Соединение имеет кодировку.

1. Достаньте кабель электропитания из картонной коробки.
2. Вставьте штекерное соединение в электроинструмент до щелчка.
3. Вставьте вилку кабеля электропитания в сетевую розетку.

5.1.2 Установка рабочего инструмента

1. Выньте вилку кабеля электропитания из сетевой розетки.
2. Слегка смажьте хвостовик рабочего инструмента.
 - Используйте только оригинальную пластичную смазку **Hilti**. Использование неподходящей пластичной смазки может стать причиной повреждений электроинструмента.
3. Вставьте рабочий инструмент в зажимной патрон и проверните его с небольшим усилием, пока рабочий инструмент не зафиксируется со щелчком.
4. Потяните рабочий инструмент на себя, чтобы удостовериться, что он надежно закреплен в фиксаторе (зажимном патроне).



5.1.3 Извлечение рабочего инструмента

ОСТОРОЖНО

Опасность травмирования! Рабочий инструмент может нагреваться и/или иметь острые кромки.

- ▶ При смене рабочего инструмента пользуйтесь защитными перчатками.
- ▶ Категорически запрещается укладывать нагретый рабочий инструмент на воспламеняющиеся основания.

1. Выньте вилку кабеля электропитания из сетевой розетки.
2. Оттяните зажимной патрон до упора назад.
3. Извлеките рабочий инструмент.

5.2 Выполнение работ

ПРЕДУПРЕЖДЕНИЕ

Опасность вследствие удара электрического тока! Отсутствие заземляющего провода и автомата защиты от тока утечки может привести к тяжелым травмам и ожогам.

- ▶ Убедитесь в том, что в проложенном кабеле питания, проходящем от электросети или генератора, всегда имеются подключенные заземляющий провод и автомат защиты от тока утечки.
- ▶ Если эти меры предосторожности не приняты, не эксплуатируйте изделие.

ПРЕДУПРЕЖДЕНИЕ

Опасность вследствие поврежденных кабелей! При повреждении кабеля электропитания или удлинительного кабеля во время работы ни в коем случае не прикасайтесь к ним. Выньте вилку кабеля электропитания из розетки.

- ▶ Регулярно проверяйте кабель электропитания электроинструмента. Замена поврежденного кабеля должна осуществляться специалистом-электриком.

Перед началом работ согласуйте их в полном объеме с начальником строительного участка (прорабом).

5.2.1 Долбление

1. Вставьте вилку кабеля электропитания в сетевую розетку.
2. Переверните зубило в нужное положение.
3. Нажмите выключатель.



Работа при низких температурах:

Минимальной рабочей температурой является температура, достаточная для запуска ударного механизма электроинструмента. Для ее достижения установите электроинструмент на базовый материал и дайте ему поработать на холостом ходу. При необходимости повторите операцию, пока не запустится ударный механизм.

5.2.2 Выключение

1. Нажмите выключатель.
2. Выньте вилку кабеля электропитания из сетевой розетки.

5.2.3 Указания по работе



Зубило можно установить в шести разных положениях (с шагом 60°). Благодаря этому плоские и фасонные зубила всегда можно установить в оптимально подходящее для работы положение.

- ▶ Установите зубило на расстоянии прим. 80–100 мм (3 1/8"–4") от кромки.
- ▶ При долблении материала с арматурными стержнями всегда ведите зубило по кромке материала, а не по арматуре.
- ▶ Начинайте долбление под углом от 70° до 80° к поверхности бетона и направляйте острие к кромке. Затем направляйте зубило под углом 90° и удаляйте материал.
- ▶ Периодически поворачивайте зубило, так как равномерный износ способствует самозаточке инструмента.
- ▶ Слишком слабый нажим приводит к тому, что зубило отскакивает от базового материала. Слишком сильный нажим обуславливает снижение мощности долбления.



6 Опция 'Транспортировочная тележка'

6.1 Транспортировка

Транспортировочная тележка служит для безопасной транспортировки отбойного молотка.

- Следите за устойчивым положением тележки.
- Установите инструмент на предусмотренный для него опорный стержень и при транспортировке всегда фиксируйте инструмент с помощью скобы-упора.
- Вставьте зубило в соответствующий держатель до щелчка.
- Убедитесь в отсутствии препятствий на пути транспортировки.
- Не оставляйте тележку на площадках с наклоном.

7 Уход и техническое обслуживание

ПРЕДУПРЕЖДЕНИЕ

Опасность травмирования вследствие удара электрическим током! Выполнение работ по уходу и обслуживанию с подключенной вилкой кабеля электропитания может привести к тяжелым травмам и ожогам.

- ▶ Перед проведением любых работ по уходу и обслуживанию всегда вынимайте из розетки вилку кабеля электропитания!

Уход

- Осторожно удаляйте налипшую грязь.
- Осторожно очищайте вентиляционные прорези сухой щеткой.
- Очищайте корпус только с помощью слегка увлажненной ткани. Не используйте средства по уходу с содержанием силикона, поскольку они могут повредить пластиковые детали.

Техническое обслуживание

ПРЕДУПРЕЖДЕНИЕ

Опасность вследствие удара электрического тока! Неквалифицированный ремонт компонентов электрической части может привести к получению серьезных травм и ожогам.

- ▶ Ремонт электрической части перфоратора поручайте только специалисту-электрику.
- Регулярно проверяйте все видимые части электроинструмента на отсутствие повреждений, а элементы управления — на исправное функционирование.
- При повреждениях и/или функциональных сбоях не используйте инструмент. Сразу сдавайте его в сервисный центр **Hilti** для ремонта.
- После ухода за электроинструментом и его технического обслуживания установите все защитные приспособления на место и проверьте их исправное функционирование.



Для обеспечения безопасной эксплуатации используйте только оригинальные запасные части и расходные материалы. Допущенные нами запасные части, расходные материалы и принадлежности для данного устройства вы можете найти в **Hilti Store** или на сайте **www.hilti.group**.

8 Помощь при неисправностях

В случае неисправностей, которые не указаны в этой таблице или которые вы не можете устранить самостоятельно, обращайтесь в ближайший сервисный центр **Hilti**.

8.1 Таблица неисправностей

Неисправность	Возможная причина	Решение
Электроинструмент не включается	Выполняется инициализация электроники (до 4 с с момента подключения вилки кабеля).	▶ Выключите электроинструмент и снова включите его.
	Отсутствует электропитание	▶ Подключите другой электроинструмент и проверьте, работает ли он.



Неисправность	Возможная причина	Решение
Электроинструмент не включается	Неисправен кабель электропитания или вилка	► Вызовите для проверки специалиста-электрика, при необходимости замените.
	Генератор в режиме ожидания	► Подключите к генератору второй потребитель (например, прожектор для стройплощадок). Включите и снова выключите электроинструмент.
Отсутствует удар	Электроинструмент слишком холодный	► Дайте электроинструменту прогреться до минимальной рабочей температуры.
	Неисправность в электроинструменте	► Сдайте электроинструмент для ремонта в сервисный центр Hilti .
Электроинструмент не работает или выключается во время работы, индикатор мигает красным.	Временная неисправность (например, перегрев или перенапряжение).	► Отожмите выключатель, дайте электроинструменту охладиться или подключите его к другому источнику электропитания.
Электроинструмент работает, но индикатор непрерывно горит красным цветом	Предупреждение о необходимости сервисного обслуживания	► Сдайте электроинструмент для сервисного обслуживания или ремонта в сервисный центр Hilti .
Электроинструмент не работает или выключается во время работы.	Удлинительный кабель слишком длинный или недостаточного сечения	► Используйте удлинительный кабель допустимой длины и с достаточным сечением.
	Неправильно подключен съемный кабель электропитания.	► Правильно подсоедините съемный кабель электропитания к электроинструменту.

9 Утилизация

Большинство материалов, из которых изготовлены электроинструменты **Hilti**, подлежит вторичной переработке. Перед утилизацией следует тщательно рассортировать материалы (для удобства их последующей переработки). Во многих странах фирма **Hilti** уже организовала прием старых (электро)инструментов (изделий) для утилизации. Дополнительную информацию по этому вопросу можно получить в отделе по обслуживанию клиентов или у консультантов по продажам фирмы **Hilti**.



- Не выбрасывайте электрические инструменты, электронные устройства/приборы и аккумуляторы вместе с обычным мусором!

10 RoHS (Директива об ограничении применения опасных веществ)

По этой ссылке доступна таблица опасных веществ: qr.hilti.com/r6025050.

Ссылку на виде QR-кода на таблицу опасных веществ согласно директиве RoHS см. в конце этого документа.

11 Гарантия производителя

- С вопросами относительно гарантийных условий обращайтесь в ближайшее представительство **Hilti**.



1 Інформація про документацію

1.1 Інформація про цей документ

- Перш ніж розпочинати роботу з інструментом, прочитайте цей документ. Це є передумовою безпечної роботи та відсутності несправностей під час застосування інструмента.
- Дотримуйтеся попереджувальних вказівок та вказівок з техніки безпеки, наведених у цьому документі та на корпусі інструмента.
- Завжди зберігайте інструкцію з експлуатації поблизу інструмента та передавайте інструмент іншим особам лише разом з інструкцією.

1.2 Пояснення символів

1.2.1 Попереджувальні вказівки

Попереджувальні вказівки інформують користувача про фактори небезпеки, пов'язані із застосуванням інструмента. Використовуються такі сигнальні слова:

НЕБЕЗПЕКА

НЕБЕЗПЕКА !

- ▶ Указує на безпосередню небезпеку, що може призвести до отримання тяжких тілесних ушкоджень або навіть до смерті.

ПОПЕРЕДЖЕННЯ

ПОПЕРЕДЖЕННЯ !

- ▶ Указує на потенційно небезпечну ситуацію, яка може призвести до отримання тяжких тілесних ушкоджень або навіть смерті.





ОБЕРЕЖНО

ОБЕРЕЖНО !

- ▶ Указує на потенційно небезпечну ситуацію, яка може призвести до отримання легких тілесних ушкоджень та до матеріальних збитків.





1.2.2 Символи у документі

У цьому документі використовуються такі символи:

	Перед використанням прочитайте інструкцію з експлуатації
	Указівки щодо експлуатації та інша корисна інформація
	Поводження з матеріалами, придатними для вторинної переробки
	Не викидайте електроінструменти і акумуляторні батареї у баки для побутового сміття

1.2.3 Символи на ілюстраціях

На ілюстраціях використовуються такі символи:

	Цифрами позначаються відповідні ілюстрації, наведені на початку цієї інструкції
	Нумерація відображає послідовність робочих кроків на ілюстраціях та може відрізнятися від нумерації у тексті
	Номера позицій, наведені на оглядовій ілюстрації , відповідають номерам у легенді, що представлена у розділі « Огляд продукту »
	Цей символ позначає аспекти, на які слід звернути особливу увагу під час застосування інструмента.



1.3 Символи, що обумовлені типом інструмента

1.3.1 Символи на інструменті

На інструменті наведені такі символи:

	Клас захисту II (подвійна ізоляція)
	Сервісний індикатор

1.4 Інформація про інструмент

Інструменти призначені для професійного використання, а тому їхню експлуатацію, технічне обслуговування та ремонт слід доручати лише авторизованому персоналу зі спеціальною підготовкою. Цей персонал повинен бути спеціально проінструктований про можливі ризики. Інструмент та допоміжне приладдя можуть стати джерелом небезпеки у разі їхнього неправильного застосування некваліфікованим персоналом або у разі використання не за призначенням.

Тип та серійний номер зазначені на заводській табличці.

- ▶ Перепишіть серійний номер у наведену нижче таблицю. При оформленні запитів до нашого представництва та до сервісної служби вказуйте інформацію про інструмент.

Інформація про інструмент

Відбійний молоток	TE 2000-AVR
Версія	01
Серійний номер	

1.5 Сертифікат відповідності

Зі всією належною відповідальністю заявляємо, що описаний у цьому документі інструмент відповідає діючим директивам і стандартам. Копія сертифіката відповідності наведена у кінці цього документа. Технічна документація зазначена нижче:

Hilti Entwicklungsgesellschaft mbH | Zulassung Geräte | Hiltistraße 6 | 86916 Kaufering, DE

2 Безпека

2.1 Загальні вказівки з техніки безпеки при роботі з електроінструментами

⚠ ПОПЕРЕДЖЕННЯ. Уважно прочитайте всі вказівки та інструкції з техніки безпеки. Щонайменше недотримання вказівок та інструкцій з техніки безпеки може призвести до ураження електричним струмом, займання та/або отримання тяжких травм.

Збережіть всі інструкції та вказівки з техніки безпеки – вони можуть знадобитися Вам у майбутньому.

Безпека на робочому місці

- ▶ **Дбайте про чистоту та достатнє освітлення робочого місця.** Безлад на робочому місці та недостатнє освітлення можуть стати причиною нещасних випадків.
- ▶ **Не працюйте з електроінструментом у вибухонебезпечному середовищі, що містить легкозаймисті рідини, гази або пил.** Під час роботи електроінструментів утворюються іскри, від яких можуть зайнятися легкозаймисті випари або пил.
- ▶ **Подбайте про те, щоб під час використання електроінструмента поблизу не було дітей та сторонніх осіб.** Найменше відволікання може призвести до втрати контролю над інструментом.

Електрична безпека

- ▶ **Штепсельна вилка електроінструмента повинна підходити до розетки живлення. Забороняється вносити зміни до конструкції штепсельної вилки. Не дозволяється застосовувати перехідні штепсельні вилки в електроінструментах із захисним заземленням.** У разі використання оригінальних штепсельних вилок і відповідних розеток знижується ризик ураження електричним струмом.
- ▶ **Під час роботи намагайтеся не торкатися заземлених поверхонь, наприклад труб, радіаторів опалення, печей та холодильників.** Якщо Ваше тіло перебуває в контакт з системою заземлення, існує підвищений ризик ураження електричним струмом.
- ▶ **Захищайте електроінструменти від дощу та вологи.** У разі проникнення води в електроінструмент підвищується ризик ураження електричним струмом.
- ▶ **Використовуйте кабель тільки за призначенням, не переносьте за нього електроінструмент, не користуйтеся ним для підвішування інструмента та не тримайтеся за нього, дістаючи**



штепсельну вилку з розетки. Оберігайте кабель від впливу високих температур, від дії мастил, гострих кромок або рухомих частин інструмента. Пошкоджені або заплутані кабелі підвищують ризик ураження електричним струмом.

- ▶ **Працюючи з електроінструментом під відкритим небом, використовуйте лише подовжувальний кабель, придатний для зовнішнього застосування.** Використання подовжувального кабелю, призначеного для зовнішнього застосування, зменшує ризик ураження електричним струмом.
- ▶ **Якщо неможливо уникнути експлуатації електроінструмента за умов підвищеної вологості, використовуйте автомат захисту від струму витоку.** Використання автомата захисту від струму витоку зменшує ризик ураження електричним струмом.

Безпека персоналу

- ▶ **Будьте уважними, зосередьтеся на виконуваній операції, до роботи з електроінструментом ставтеся серйозно.** Не користуйтеся електроінструментом, якщо Ви втомлені або перебуваєте під дією наркотичних речовин, алкоголю або лікарських засобів. Під час роботи з електроінструментом не відволікайтеся ні на мить, оскільки це може призвести до отримання серйозних травм.
- ▶ **Використовуйте засоби індивідуального захисту і завжди надягайте захисні окуляри.** Використання засобів індивідуального захисту, наприклад респіратор, захисного взуття на нековзній підшві, захисного шолома або шумозахисних навушників – залежно від різновиду електроінструмента та особливостей його застосування – зменшує ризик травмування.
- ▶ **Уникайте випадкового вмикання електроінструмента.** Переконайтеся в тому, що електроінструмент вимкнений, перш ніж приєднувати його до джерела живлення, піднімати або переносити. Якщо під час перенесення електроінструмента тримати пальці на вимикачі або приєднувати інструмент до джерела живлення увімкненим, це може призвести до нещасного випадку.
- ▶ **Перш ніж вмикати електроінструмент, від'єднайте від нього все налагоджувальне приладдя або гайкові ключі.** Приладдя або ключ, що знаходяться в обертовому вузлі інструмента, можуть стати причиною отримання травм.
- ▶ **Уникайте виконання роботи в незручній позі.** Під час виконання робіт ставайте у стійку позу і намагайтеся повсякчас утримувати рівновагу. Це дозволить Вам більш упевнено контролювати електроінструмент у разі виникнення несподіваних обставин.
- ▶ **Надягайте відповідний робочий одяг.** Не надягайте для роботи занадто просторий одяг та прикраси. Слідкуйте за тим, щоб волосся, одяг та робочі рукавиці знаходилися подалі від обертових частин інструмента. Просторий одяг, прикраси або довге волосся можуть бути захоплені рухомими частинами інструмента.
- ▶ **Якщо передбачена можливість установа системи пиловидалення та пилозбірників, обов'язково переконайтеся в тому, що вони правильно приєднані й використовуються належним чином.** Застосування системи видалення пилу дозволяє зменшити негативний вплив пилу на персонал.

Використання електроінструмента та належний догляд за ним

- ▶ **Не допускайте перенавантаження інструмента.** Завжди використовуйте електроінструмент, призначений для виконання відповідної роботи. При використанні належного електроінструмента забезпечуються більш висока якість та безпека виконання робіт у вказаному діапазоні продуктивності.
- ▶ **Не використовуйте електроінструмент із пошкодженим вимикачем.** Електроінструмент, який неможливо вмикати або вимикати, є небезпечним і підлягає ремонту.
- ▶ **Виймайте штепсельну вилку з розетки, перш ніж налаштувати інструмент, замінювати приладдя або робити перерву в роботі.** Такий запобіжний захід допоможе уникнути випадкового вмикання електроінструмента.
- ▶ **Електроінструменти, що не використовуються, зберігайте в недоступному для дітей місці.** Не дозволяйте користуватися інструментом особам, які не ознайомлені з інструментом або не читали ці інструкції. У руках недосвідчених людей електроінструменти являють собою серйозну небезпеку.
- ▶ **Електроінструменти потребують дбайливого догляду.** Ретельно перевіряйте, чи бездоганно працюють та чи не заклинюють рухомі частини, чи не зламалися або не зазнали інших пошкоджень деталі, від яких залежить справна робота електроінструмента. Перед початком роботи з інструментом пошкоджені деталі слід відремонтувати. Багатьох нещасних випадків можна уникнути за умови належного технічного обслуговування електроінструментів.
- ▶ **Слідкуйте за тим, щоб ріжучі інструменти завжди залишалися чистими та належним чином заточеними.** Дбайливо доглянутий ріжучий інструмент із гострими різальними кромками не так часто заклинюється, і з ним легше працювати.
- ▶ **Під час експлуатації електроінструмента, приладдя до нього, робочих інструментів тощо дотримуйтеся наведених у цьому документі вказівок.** При цьому завжди враховуйте умови в місці



виконання робіт та дії, яких вимагає поставлене завдання. Використання електроінструментів не за призначенням може призвести до виникнення небезпечних ситуацій.

Сервісне обслуговування

- ▶ **Доручайте ремонт електроінструмента лише кваліфікованому персоналу зі спеціальною підготовкою за умови використання тільки оригінальних запасних частин.** Це забезпечить функціональність електроінструмента.

2.2 Вказівки з техніки безпеки стосовно роботи з перфоратором

- ▶ **Використовуйте захисні навушники.** Тривалий вплив шуму може призвести до втрати слуху.
- ▶ **Використовуйте додаткові рукоятки, що входять до комплекту постачання інструмента.** Адже втрата контролю над інструментом може стати причиною травмування.
- ▶ **Якщо під час виконання робіт змінний робочий інструмент може натрапити на приховану електропроводку або кабель живлення, утримуйте інструмент за ізольовані поверхні рукояток.** У разі контакту з електричним дротом, який знаходиться під напругою, металеві деталі інструмента також потраплять під напругу, а це може призвести до ураження електричним струмом.

2.3 Додаткові вказівки з техніки безпеки під час роботи з відбійним молотком

Безпека персоналу

- ▶ Користуйтеся лише повністю справним інструментом.
- ▶ Вносити будь-які зміни до конструкції інструмента заборонено.
- ▶ Перед добанням отворів у стелі, стінах і підлозі забезпечте собі надійну та міцну опору. Внаслідок раптового ривка інструмента Ви можете втратити рівновагу!
- ▶ Під час наскрізної обробки укріпіть відповідну ділянку поверхні з протилежного боку деталі. Осколки можуть розлітатися у різні боки та/або вниз і травмувати інших людей.
- ▶ Оператор та інші особи, які знаходяться поблизу місця проведення робіт, повинні під час застосування інструмента використовувати відповідні захисні окуляри, захисний шолом, захисні навушники, захисні рукавиці та легкий респіратор.
- ▶ Під час заміни змінного робочого інструмента також користуйтеся захисними рукавицями. Контакт зі змінним робочим інструментом може призвести до отримання порізів або опіків.
- ▶ Використовуйте захисні окуляри. Уламки матеріалу можуть завдати поранень або пошкодити очі.
- ▶ Перш ніж розпочинати роботу, з'ясуйте клас безпеки пилу, що при цьому буде утворюватися. Використовуйте будівельний пиросос затвердженого класу захисту, що відповідає місцевим вимогам щодо захисту від пилу. Пил, що містить такі матеріали, як фарби із вмістом свинцю, тирсу деяких порід деревини, бетон, цеглу, кварцові гірські породи і мінерали, а також метал, може бути шкідливим для здоров'я.
- ▶ Подбайте про належну вентиляцію робочого місця та користуйтеся респіратором, який підходить до матеріалу, що обробляється. У разі контакту з таким пилом або при його вдиханні у користувача електроінструмента та у людей, що знаходяться поруч, можуть виникнути алергічні реакції та/або захворювання дихальних шляхів. Деякі різновиди пилу, наприклад деревини дуба і бука, вважаються канцерогенними, особливо у поєднанні з речовинами для обробки деревини (хроматом, засобами для захисту деревини). До обробки матеріалів, що містять азбест, допускаються лише фахівці зі спеціальною підготовкою.
- ▶ Працюйте з перервами та виконуйте вправи на розминання пальців, щоб покращити кровообіг у них. Під час довготривалих робіт вібрація може пошкодити судини або нерви у пальцях, руках або зап'ясткових суглобах.

Електрична безпека

- ▶ Перед початком роботи перевіряйте робоче місце на наявність прихованих електричних кабелів, газових та водопровідних труб. Якщо Ви під час роботи випадково пошкодите електричні кабелі, контакт з відкритими металевими деталями інструмента може спричинити ураження електричним струмом.

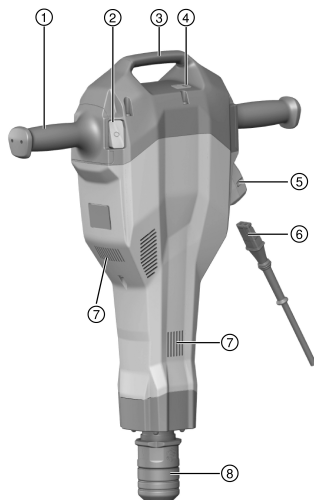
Належне використання електроінструментів та дбайливий догляд за ними

- ▶ Зачекайте, доки змінний робочий інструмент повністю зупиниться, перш ніж знімати його з оброблюваного об'єкту.



3 Опис

3.1 Огляд ТЕ 2000-AVR 1



- ① Рукотка
- ② Вимикач
- ③ Рукотка для перенесення
- ④ Сервісний індикатор
- ⑤ Штекер знімного кабелю живлення
- ⑥ Знімний кабель живлення
- ⑦ Вентиляційні прорізи
- ⑧ Затискний патрон

3.2 Огляд транспортного візка 2

- ① Ручка
- ② Скоба-фіксатор
- ③ Тримач для видаткового матеріалу (зубила)
- ④ Ходові коліщата
- ⑤ Стопор коліщата (шайба, шплінт)
- ⑥ Оправка для насаджування інструмента

3.3 Використання за призначенням

Описаний у цій інструкції інструмент являє собою ручний відбійний молоток. Він призначений для довбальних робіт на бетоні, цегляній кладці та асфальті. Інструмент також може використовуватися для трамбування та риття.

Експлуатація інструмента можлива лише за умови, що напруга і частота мережі живлення відповідають значенням, вказаним на заводській таблиці.

3.4 Можливе неналежне використання

- Застосовувати пристрій дозволяється лише в сухих місцях.
- Не застосовуйте інструмент у пожежонебезпечних і вибухонебезпечних умовах.
- Забороняється застосовувати інструмент для обробки шкідливих для здоров'я речовин, наприклад азбесту.

3.5 Active Vibration Reduction

Інструмент оснащений системою Active Vibration Reduction (AVR), яка значно знижує рівень вібрації.



3.6 Сервісний індикатор

Відбійний молоток оснащений сервісним індикатором зі світловим сигналом.

Стан	Значення
Сервісний індикатор горить червоним.	Інструмент потребує планового технічного обслуговування. Щоб інструмент завжди був готовий до роботи, своєчасно передавайте його до сервісної служби компанії Hilti . Інструмент вийшов з ладу.
Сервісний індикатор мигає червоним.	Система захисту від перегрівання Занадто висока напруга джерела електроживлення.

3.7 Комплект постачання

Відбійний молоток, знімний кабель живлення, інструкція з експлуатації, мастило. Транспортний візок пропонується у якості приладдя.

З іншим приладдям, допущеним до експлуатації з Вашим інструментом, Ви можете ознайомитися у найближчому сервісному центрі **Hilti** або на веб-сайті www.hilti.group

4 Технічні дані

4.1 Відбійний молоток

Номінальна напруга, номінальний струм, частота та/або номінальна споживана потужність вказані на заводській таблиці інструмента, передбачені для Вашої країни.

Якщо живлення інструмента здійснюється від генератора або трансформатора, то його вихідна потужність має принаймні вдвічі перевищувати номінальну споживану потужність, вказану на заводській таблиці інструмента. Робоча напруга трансформатора або генератора повинна постійно перебувати у межах від +5 % до -15 % від номінальної напруги інструмента.

	TE 2000-AVR
Маса згідно з процедурою EPTA 01	14,5 кг
Частота ударів	30 Гц
Клас захисту	II

4.2 Дані про шум та значення вібрації, виміряні згідно зі стандартом EN 60745

Наведені у цих рекомендаціях значення звукового тиску та вібрації були виміряні згідно з установленою процедурою вимірювання та можуть використовуватися для порівняння електроінструментів. Вони також придатні для попереднього оцінювання шумового та вібраційного навантаження. Наведені дані обумовлюють переважні сфери застосування електроінструмента. Однак якщо Ви використовуєте його не за призначенням, застосовуєте нестандартне приладдя або неналежним чином здійснюєте догляд за інструментом, ці дані можуть відрізнятись від вказаних значень. Це може призвести до помітного збільшення шумового та вібраційного навантаження протягом усього робочого часу. Для більш точної оцінки шумового та вібраційного навантаження необхідно враховувати також проміжки часу, протягом яких інструмент залишається вимкненим або працює на холостому ходу. Це може значно зменшити вібраційне та шумове навантаження протягом усього робочого часу. Необхідно також вживати додаткових заходів безпеки з метою захисту працівників від дії шуму та/або вібрації, зокрема: проводити своєчасне технічне обслуговування електроінструмента та змінних робочих інструментів до нього, утримувати руки у теплі, належним чином організовувати робочий процес.

Рівень шуму

Вимірний рівень шумової потужності (L_{WA})	97 дБ(A)
Гарантований рівень шумової потужності (L_{WAd})	100 дБ(A)
Похибка для рівня шумової потужності (K_{WA})	3 дБ(A)
Рівень звукового тиску (L_{pA})	77 дБ(A)
Похибка для рівня звукового тиску (K_{pA})	3 дБ(A)



Значення вібрації

Довбання отворів ($a_{h, \text{Чек}}$)	4,8 м/с ²
Похибка (K)	1,5 м/с ²

5 Експлуатація

5.1 Підготовка до роботи

ОБЕРЕЖНО

Ризик отримання травм! Випадкове увімкнення інструмента.

- ▶ Виймайте штепсельну вилку кабелю живлення з розетки, перш ніж задавати налаштування інструмента або замінювати приладдя.

Дотримуйтеся попереджувальних вказівок та вказівок з техніки безпеки, наведених у цьому документі та на корпусі інструмента.

5.1.1 Приєднання кабелю живлення до інструмента



Уставляйте штекер змінного кабелю живлення в гніздо інструмента тільки в тому випадку, якщо кабель від'єднаний від мережі живлення та знаходиться у чистому сухому стані. Штекер кабелю має спеціальну форму.

1. Вийміть кабель живлення з пакувальної картонної коробки.
2. Уставте штекер змінного кабелю живлення у відповідне гніздо інструмента до упору, доки він не зафіксується із чітким характерним звуком.
3. Уставте штепсельну вилку кабелю живлення в розетку.

5.1.2 Установлення змінного робочого інструмента

1. Вийміть штепсельну вилку кабелю живлення з розетки.
2. Нанесіть мастило тонким шаром на хвостик змінного робочого інструмента.
 - ▶ Використовуйте лише оригінальне мастило виробництва компанії **Hilti**. Використання неналежного мастила може спричинити несправність інструмента.
3. Уставте змінний робочий інструмент у затискний патрон та, злегка натиснувши на нього, прокрутіть його, щоб він зафіксувався із чітким характерним звуком.
4. Потягніть змінний робочий інструмент до себе, щоб упевнитися в тому, що він надійно зафіксований у патроні.

5.1.3 Виймання змінного робочого інструмента

ОБЕРЕЖНО

Ризик отримання травм! Змінний робочий інструмент може бути гарячим та/або його кромки – гострими.

- ▶ Під час заміни робочого інструмента використовуйте захисні рукавиці.
- ▶ Ніколи не кладіть гарячий змінний робочий інструмент на легкозаймисті матеріали.

1. Вийміть штепсельну вилку кабелю живлення з розетки.
2. Відведіть фіксатор змінного робочого інструмента назад до упору.
3. Вийміть змінний робочий інструмент.

5.2 Під час роботи

ПОПЕРЕДЖЕННЯ

Небезпека ураження електричним струмом! Якщо не використовувати дріт заземлення та автомат захисту від струму витоку, це може призвести до тяжких травм та опіків.

- ▶ Дріт заземлення та автомат захисту від струму витоку завжди повинні бути приєднані до електричного контуру будівельного майданчика – незалежно від того, чи здійснюється живлення від мережі або генератора.
- ▶ Не використовуйте інструмент без цих засобів безпеки.



⚠ ПОПЕРЕДЖЕННЯ

Небезпека через пошкодження кабелю! Якщо під час роботи було пошкоджено кабель живлення або подовжувальний кабель, торкатися до них заборонено. Вийміть штепсельну вилку кабелю живлення з розетки.

- ▶ Регулярно перевіряйте з'єднувальний кабель інструмента. Якщо Ви виявили його пошкодження зверніться до фахівця-електрика, щоб замінити кабель.

На виконання всіх робіт обов'язково отримайте дозвіл будівельного управління!

5.2.1 Довбання отворів

1. Уставте штепсельну вилку кабелю живлення в розетку.
2. Установіть зубило в потрібне положення.
3. Натисніть на вимикач.



Робота за низьких температур:

Для функціонування ударного механізму інструмента потрібна певна мінімальна робоча температура. Щоб прогріти інструмент до такої температури, покладіть його на робочу поверхню і дайте йому попрацювати на холостому ходу протягом деякого часу. У разі необхідності повторіть вищезазначене, аж поки ударний механізм не почне працювати.

5.2.2 Вимикання інструмента

1. Натисніть на вимикач.
2. Вийміть штепсельну вилку кабелю живлення з розетки.

5.2.3 Указівки щодо роботи 

Зубило може бути виставлене в 6 різних позиціях (через кожні 60°). Це надає можливість працювати плоскими та фасонними зубилами в оптимальному для кожного їх різновиду робочому положенні.

- ▶ Розташуйте зубило на відстані приблизно 80–100 мм (3 1/8"–4") від кромки оброблюваної поверхні.
- ▶ Якщо Ви обробляєте залізобетон, завжди направляйте зубило в бік кромки плити, а не в бік арматурних стрижнів.
- ▶ Довбати починайте під кутом 70–80° до поверхні бетону, направляючи лезо зубила у бік кромки плити. Після цього збільшуйте кут нахилу зубила до 90° і відламуєте матеріал.
- ▶ Регулярно повертайте зубило, оскільки рівномірне зношування сприяє його самозаточуванню.
- ▶ Якщо сила притискання недостатня, зубило відскакуватиме від оброблюваної поверхні. У разі надмірної сили притискання зменшуватиметься потужність довбання.

6 Транспортний візок (опція)**6.1 Транспортування**

Транспортний візок дозволяє безпечно перевозити відбійний молоток.

- Подбайте про те, щоб транспортний візок був у стійкому положенні.
- Установіть інструмент на передбачену для цього оправку і зафіксуйте його на час перевезення скобою-фіксатором.
- Уставте зубила у передбачені для них тримачі, поки вони не зафіксуються.
- Подбайте про безпечні маршрути для транспортування.
- Не залишайте транспортний візок на похилій площині.



7 Догляд і технічне обслуговування

ПОПЕРЕДЖЕННЯ

Небезпека ураження електричним струмом! Здійснення догляду та технічного обслуговування інструмента, що підключений до мережі живлення, може призвести до тяжких травм та опіків.

- ▶ Завжди діставайте штекер кабелю живлення з розетки, перш ніж розпочинати роботи з догляду та технічного обслуговування!

Догляд

- Обережно видаляйте накопичення бруду.
- Обережно прочищайте вентиляційні прорізи сухою щіткою.
- Протирайте корпус вологою тканиною. Забороняється використовувати миючі засоби, що містять силікон, оскільки вони можуть пошкодити пластмасові деталі.

Технічне обслуговування

ПОПЕРЕДЖЕННЯ

Небезпека ураження електричним струмом! Проведення неавторизованого ремонту електричних частин інструмента може призвести до отримання тяжких травм та опіків.

- ▶ До ремонту електричної частини інструмента залучайте лише фахівця-електрика.
- Регулярно перевіряйте усі зовнішні частини на наявність пошкоджень, а органи керування інструмента – на предмет справної роботи.
- Якщо Ви виявили пошкодження та/або порушення функціональності інструмента, припиніть його використання. негайно зверніться до сервісної служби компанії **Hilti** для здійснення ремонту.
- Після проведення догляду і технічного обслуговування встановіть усі захисні пристрої та перевірте їхню роботу.



Щоб гарантувати належну роботу інструмента, використовуйте тільки оригінальні запасні частини та видаткові матеріали. Рекомендовані запасні частини, видаткові матеріали та приладдя для Вашого інструмента Ви можете придбати у найближчому магазині **Hilti Store** або на веб-сайті www.hilti.group.

8 Допомога у разі виникнення несправностей

У разі виникнення несправностей, які не зазначені у цій таблиці або які Ви не можете полагодити самостійно, зверніться до сервісної служби компанії **Hilti**.

8.1 Таблиця несправностей

Несправність	Можлива причина	Рішення
Інструмент не вмикається	Триває ініціалізація електронного блоку (продовжується до 4 секунд після приєднання штекера)	▶ Вимкніть інструмент, а потім знову увімкніть його.
	Збій в мережі електроживлення	▶ Для перевірки наявності живлення підключіть інший інструмент.
	Пошкоджений кабель живлення або штепсельна вилка	▶ Для перевірки зверніться до фахівця-електрика і в разі необхідності виконайте заміну.
	Генератор знаходиться у режимі сну	▶ Збільште навантаження на генератор, підключивши до нього ще один пристрій (наприклад, освітлювальну лампу для будівельного майданчика). Після цього увімкніть інструмент, а потім вимкніть його знову.
Відсутній удар	Інструмент занадто холодний	▶ Дайте інструменту прогрітись до мінімальної робочої температури.



Несправність	Можлива причина	Рішення
Відсутній удар	Інструмент пошкоджений	► Передайте інструмент до сервісної служби компанії Hilti для здійснення ремонту.
Інструмент не вмикається або вимикається під час роботи, при цьому індикатор мигає червоним кольором	Тимчасова несправність (наприклад, перегрів або занадто висока напруга)	► Вимкніть інструмент, дайте йому охолонути або приєднайте його до іншого джерела живлення.
Інструмент працює, але індикатор постійно світиться червоним кольором	Попередження по необхідності виконання сервісного обслуговування	► Передайте інструмент до сервісної служби компанії Hilti для здійснення технічного обслуговування або ремонту.
Інструмент не вмикається або вимикається під час роботи	Подовжувальний кабель занадто довгий або має занадто малий поперечний переріз	► Використовуйте подовжувальний кабель належної довжини та з достатнім поперечним перерізом.
	Знімний кабель живлення підключений неналежним чином.	► Належним чином підключіть до електроінструмента знімний кабель живлення.

9 Утилізація

Більшість матеріалів, з яких виготовлено інструменти компанії **Hilti**, придатні для вторинної переробки. Передумовою для їхньої вторинної переробки є належне сортування відходів за типом матеріалу. У багатьох країнах світу компанія **Hilti** приймає старі інструменти для їхньої утилізації. Щоб отримати додаткову інформацію з цього питання, звертайтеся до сервісної служби компанії **Hilti** або до свого торгового консультанта.



- Не викидайте електроінструменти, електронні пристрої та акумуляторні батареї у баки для побутового сміття!

10 RoHS (директива КНП про обмеження використання небезпечних речовин)

Щоб переглянути таблицю з інформацією про небезпечні речовини, будь ласка, перейдіть за таким посиланням: qr.hilti.com/r6025050.

Посилання на таблицю з інформацією про речовини, включені до директиви RoHS, наведено наприкінці цього документа у вигляді QR-коду.

11 Гарантійні зобов'язання виробника

- Із питань гарантії, будь ласка, звертайтеся до Вашого місцевого партнера компанії **Hilti**.



1 Құжаттама бойынша деректер

1.1 Бұл құжаттама туралы



Импорттауыш және өндірушінің өкілетті ұйымы

- (RU) Ресей Федерациясы
"Хилти Дистрибьюшн ЛТД" АҚ, 141402, Мәскеу облысы, Химки қ., Ленинградская көш., ғим. 25
- (BY) Беларусь Республикасы
222750, Минск облысы, Дзержинский ауданы, Р-1, 18-ші км, 2 (Слободка ауылының жанында), 1-34 бөлімі
- (KZ) Қазақстан Республикасы
Қазақстан Республикасы, индекс 050011, Алматы қ., Пугачев көш., 4-үй
- (KG) Қырғыз Республикасы
"Т AND Т" ЖШҚ, 720021, Қырғызстан, Бішкек қ., Ибраимов көш., 29 А үйі
- (AM) Армения Республикасы
Эйч-Кон ЖШҚ, Армения Республикасы, Ереван қ., Бабаян көш., 10/1 үйі

Өндірілген елі: жабдықтағы белгілеу тақтайшасын қараңыз.

Өндірілген күні: жабдықтағы белгілеу тақтайшасын қараңыз.

Тиісті сертификатты мына мекенжай бойынша табуға болады: www.hilti.ru

Сақтау, тасымалдау және пайдалану шарттарына пайдалану бойынша нұсқаулықта белгіленгеннен басқа арнайы талаптар қойылмайды.

Өнімнің қызмет ету мерзімі 5 жыл.

- Іске қосу алдында осы құжаттаманы оқып шығыңыз. Бұл қауіпсіз жұмыс пен ақаусыз басқару үшін алғышарт болып табылады.
- Осы құжаттамадағы және өнімдегі қауіпсіздік және ескерту нұсқауларын орындаңыз.
- Пайдалану бойынша нұсқаулықты әрдайым өнімде сақтаңыз және оны басқа тұлғаларға тек осы нұсқаулықпен бірге тапсырыңыз.

1.2 Шартты белгілердің анықтамасы

1.2.1 Ескерту

Ескертулер өнімді қолдану барысындағы қауіптер туралы ескертеді. Төмендегі сигналдық сөздер пайдаланылады:



ҚАУІПТІ

ҚАУІПТІ !

- ▶ Ауыр жарақаттарға әкелетін немесе өмірге қауіп төндіретін тікелей қауіпті жағдайдың жалпы белгіленуі.



ЕСКЕРТУ

ЕСКЕРТУ !

- ▶ Ауыр жарақаттарға әкелуі немесе өмірге қауіп төндіруі мүмкін ықтимал қауіпті жағдайдың жалпы белгіленуі.



АБАЙЛАҢЫЗ

АБАЙЛАҢЫЗ !

- ▶ Жеңіл жарақаттарға немесе аспаптың зақымдалуына әкелуі мүмкін ықтимал қауіпті жағдайдың жалпы белгіленуі.

1.2.2 Құжаттамадағы белгілер

Бұл құжаттамада төмендегі белгілер пайдаланылады:



Пайдалану алдында пайдалану бойынша нұсқаулықты оқу қажет



	Аспапты пайдалану бойынша нұсқаулар және басқа пайдалы ақпарат
	Қайта пайдалануға болатын материалдармен жұмыс істеу
	Электр аспаптарды және аккумуляторларды тұрмыстық қоқысқа тастамаңыз

1.2.3 Суреттердегі белгілер

Суреттерде төмендегі белгілер қолданылады:

	Бұл сандар осы нұсқаулықтың басындағы әр суретке сәйкес келеді
3	Нөмірлеу суреттегі жұмыс қадамдарының реттілігін білдіреді және мәтіндегі жұмыс қадамдарынан өзгешеленуі мүмкін
	Позиция нөмірлері Шолу суретінде қолданылады және Өнімге шолу мақаласындағы шартты белгілердің нөмірлеріне сілтейді
	Аталмыш белгілер өнімді қолдану барысында айрықша назарыңызды аудартады.

1.3 Өнімге қатысты белгілер

1.3.1 Өнімдегі белгілер

Өнімде төмендегі белгілер пайдаланылады:

	II қорғау класы (қос изоляция)
	Ақаулықтарды жою

1.4 Өнім туралы ақпарат

өнімдері кәсіби пайдаланушыларға арналған және оларды тек қана өкілетті, білікті қызметкерлер пайдалануы, күтім және техникалық қызмет көрсетуі тиіс. Қызметкерлер қауіпсіздік техникасы бойынша арнайы нұсқау алуы керек. Өнім мен оның қосалқы құралдарын басқа мақсатта қолдану немесе олардың оқытылмаған қызметкерлердің таралынан пайдаланылуы қауіпті.

Түр сипаттамасы мен сериялық нөмір фирмалық тақтайшада берілген.

- Сериялық нөмірді төмендегі кестеге көшіріп қойыңыз. Өнім туралы мәліметтерді өкілдігімізге немесе қызмет көрсету бөлімімізге сұрау беру арқылы алуға болады.

Өнім туралы мәліметтер

Қашайтын балға	TE 2000-AVR
Буын	01
Сериялық нөмір	

1.5 Сәйкестілік декларациясы

Біз осы нұсқаулықта сипатталған өнімнің қолданыстағы директивалар мен нормативтерге сәйкес келетінін толық жауапкершілікпен жариялаймыз. Сәйкестілік декларациясының суреті осы құжаттаманың соңында орналасқан.

Техникалық құжаттама мына жерде сақталған:

Hilti Entwicklungsgesellschaft mbH | Zulassung Geräte | Hiltistraße 6 | 86916 Kaufering, DE

2 Қауіпсіздік

2.1 Электр құралдары үшін қауіпсіздік техникасы бойынша жалпы нұсқаулар

ЕСКЕРТУ Барлық қауіпсіздік нұсқауларын және жалпы нұсқауларды оқып шығыңыз. Төменде берілген нұсқауларды орындамау электр тогының соғуына, өртке әкелуі мүмкін және/немесе ауыр жарақаттарды тудыруы мүмкін.

Қауіпсіздік техникасы бойынша барлық нұсқауларды және нұсқауларды келесі пайдаланушы үшін сақтаңыз.



Жұмыс орны

- ▶ **Жұмыс орнындағы тазалықты және тәртіпті қадағалаңыз.** Жұмыс орнындағы ретсіздік және нашар жарық сәтсіз жағдайларға әкелуі мүмкін.
- ▶ **Жанғыш сұйықтықтар, газдар немесе шаң бар жарылыс қаупі бар аймақта электр құралды қолданбаңыз.** Жұмыс кезінде электр құралдар ұшқындар шығады және ұшқындар шаңды немесе буларды тұтандыруы мүмкін.
- ▶ **Электр құралды қолдану барысында балалар мен басқа адамдарды алшақ ұстаңыз.** Ауытқу орын алғанда аспаптың басқаруын жоғалтуға болады.

Электр қауіпсіздігі

- ▶ **Электр құралдың байланыс ашасы электр желісінің розеткасына сай болуы керек.** Айырдың конструкциясын өзгертпеңіз. Қорғауыш жерге қосуы бар электр құралдарымен бірге өтпелі айырларды қолданбаңыз. Түпнұсқа айырлар және оларға сай розеткалар электр тогының соғу қаупін азайтады.
- ▶ **Жерге қосылған беттерге, мысалы, құбырларға, жылыту құралдарына, пештерге (плиталарға) және тоңазытқыштарға тікелей тиюді болдырмаңыз.** Жерге қосылған заттарға тигенде электр тогының соғуының үлкен қаупі туындайды.
- ▶ **Электр құралдарды жаңбырдан немесе ылғал әсерінен сақтаңыз.** Электр құралға су тиюі нәтижесінде электр тогының соғу қаупі артады.
- ▶ **Кабельді басқа мақсатта қолданбаңыз, мысалы, электр құралды тасымалдау, оны іліп қою немесе электр желісінің розеткасынан айырды шығару үшін.** Кабельді жоғары температуралардың, майдың, үшкір жиектердің немесе электр құралдың айналатын түйіндерінің әсерлерінен қорғаңыз. Кабельдің зақымдалуы немесе қабаттасуы нәтижесінде электр тогының соғу қаупі артады.
- ▶ **Егер жұмыстар ашық ауада орындалса, тек бөлмелерден тыс қолдануға рұқсат етілген ұзартқыш кабельдерді пайдаланыңыз.** Бөлмелерден тыс қолдануға жарамды ұзартқыш кабельді пайдалану электр тогының соғу қаупін азайтады.
- ▶ **Егер электр құралмен ылғалдылық жағдайларында жұмыс істеуді болдырмау мүмкін емес болса, шығып кететін токтан қорғау автоматын қолданыңыз.** Шығып кететін токтан қорғау автоматын қолдану электр тогының соғу қаупін азайтады.

Адамдардың қауіпсіздігі

- ▶ **Ұқыпты болыңыз, әрекеттеріңізге көңіл бөліңіз және электр құралмен жұмыс істеуге дұрыс қараңыз.** Шаршаған кезде немесе есіртікі, алкоголь не дәрі қабылдаған соң электр құралды қолданбаңыз. Электр құралды қолданған кездегі зейінсіздік ауыр жарақаттарға апарып соғуы мүмкін.
- ▶ **Жеке қорғану құралдарын пайдаланыңыз және әрқашан міндетті түрде қорғауыш көзілдірікті киіңіз.** Электр құралының түріне және пайдалану жағдайларына байланысты жеке қорғану құралдарын, мысалы, шаңнан қорғайтын респираторды, сырғымайтын аяқ киімді, қорғауыш шлемді, естуді қорғау құралдарын қолдану жарақаттану қаупін азайтады.
- ▶ **Электр құралының кездейсоқ қосылуын болдырмаңыз.** Электр құралды қуат көзіне жалғаудан, шығарудан немесе тасудан бұрын оның өшірулі екеніне көз жеткізіңіз. Электр құралды тасымалдағанда саусақтар сөндіргіште болатын немесе қосылған электр құрал желіге қосылатын жағдайлар сәтсіз жағдайларға әкелуі мүмкін.
- ▶ **Электр құралды қосу алдында реттеуші құрылғыларды және гайка кілтін алыңыз.** Электр құралдың айналатын бөлігіндегі аспап немесе кілт жарақаттарға әкелуі мүмкін.
- ▶ **Жұмыс кезінде ыңғайсыз қалыптарға тұрмауға тырысыңыз. Үнемі тұрақты күйді және тепе-теңдікті сақтаңыз.** Бұл күтпеген жағдайларда электр құралды жақсырақ басқаруға мүмкіндік береді.
- ▶ **Арнайы киімді киіңіз. Өте бос киімді немесе әшекейлерді кимеңіз. Шашты, киімді және қолғапты электр құралдың айналатын түйіндерінен сақтаңыз.** Бос киім, әшекейлер және ұзын шаш оларға ілінуі мүмкін.
- ▶ **Егер шаңды жинау және кетіруге арналған құрылғыларды қосу қарастырылған болса, олар қосылғанына және мақсаты бойынша қолданылып жатқанына көз жеткізіңіз.** Шаңды кетіру модулін пайдалану шаңның зиянды әсерін азайтады.

Электр құралды қолдану және оған қызмет көрсету

- ▶ **Аспапқа шамадан тыс жүктеме түсуін болдырмаңыз.** Нақ осы жұмысқа арналған электр құралды қолданыңыз. Бұл ережені сақтау көрсетілген қуат диапазонында жоғарырақ жұмыс сапасын және қауіпсіздігін қамтамасыз етеді.
- ▶ **Сөндіргіші бұзылған электр құралды қолданбаңыз.** Қосу немесе өшіру қиын электр құрал қауіпті және оны жөндеу керек.



- ▶ Аспапты баптау, оның құрама бөліктерін ауыстыру немесе жұмыста үзіліс жасау алдында айырды розеткадан шығарыңыз. Бұл сақтық шарасы электр құралдың кездейсоқ қосылуын болдырмайды.
- ▶ Қолданылмайтын электр құралдарды балалар жетпейтін жерде сақтаңыз. Электр құралды оны пайдалана алмайтын немесе осы нұсқауларды оқып шықпаған тұлғаларға бермеңіз. Электр құралдар тәжірибесі жоқ пайдаланушылардың қолында қауіпті болады.
- ▶ Электр құралдарына ұқыпты қараңыз. Айналымды бөліктердің мүлтіксіз қызмет ететінін, олардың жүрісінің жеңілдігін, барлық бөліктердің тұтастығын және электр құралдың жұмысына теріс әсер етуі мүмкін зақымдардың жоқтығын тексеріңіз. Аспаптың зақымдалған бөліктерін оны қолдану алдында жөндеуге өткізіңіз. Электр құралға техникалық қызмет көрсету ережелерін сақтамау көп сәтсіз жағдайлардың себебі болып табылады.
- ▶ Кескіш аспаптардың үшкір және таза болуын қадағалау керек. Жұмыс күйінде сақталатын кескіш аспаптардың сыналануы сиректеу болады, оларды басқару жеңілдеу.
- ▶ Электр құралды, саймандарды, көмекші құрылғыларды және т.б. нұсқауларға сай пайдаланыңыз. Бұл кезде жұмыс жағдайларын және орындалатын жұмыстың сипатын ескеріңіз. Электр құралдарды басқа мақсаттарда қолдану қауіпті жағдайларға әкелуі мүмкін.

Қызмет

- ▶ Электр құралды жөндеуді тек түпнұсқа қосалқы бөлшектерді қолданатын білікті қызметкерлерге сеніп тапсырыңыз. Бұл электр құралды қауіпсіз күйде сақтауды қамтамасыз етеді.

2.2 Перфораторлармен жұмыс істеу кезіндегі қауіпсіздік техникасы бойынша нұсқаулар

- ▶ Қорғауыш құлаққапты киіңіз. Шу әсерінің нәтижесінде есту қабілеті жоғалуы мүмкін.
- ▶ Аспап жинағына кіретін қосымша тұтқыштарды қолданыңыз. Аспапты басқаруды жоғалту жарақаттарға әкелуі мүмкін.
- ▶ Аспаптың жасырын электр сымдарын немесе желілік кабельді зақымдау қауіп болғанда аспапты оқшауланған беттерінен ұстаңыз. Электр сымдарына тигенде аспаптың қорғалмаған металл бөліктері кернеу астында болады. Бұл электр тогының соғуына әкелуі мүмкін.

2.3 Қауіпсіздік бойынша қосымша нұсқаулар, қашайтын балға

Адамдардың қауіпсіздігі

- ▶ Өнімді тек техникалық мінсіз күйінде қолданыңыз.
- ▶ Аспапта ешқашан бейімдеу не өзгерту жұмыстарын орындамаңыз.
- ▶ Төбе, қабырға мен еденді кескішпен өңдеу кезінде қауіпсіз және тұрақты күйді сақтаңыз. Кенет жарылу нәтижесінде тепе-теңдігіңіз бұзылуы мүмкін!
- ▶ Тесіп өтетін бұрғылау кезінде қауіпті аймақты қабырғаның қарама-қарсы жағынан қоршаңыз. Сыртқа шығатын және/немесе төмен түсетін сынықтар адамдарға жарақат тигізуі мүмкін.
- ▶ Аспапты қолданған кезде өзіңіз бен жұмыс аймағындағы тұлғалар арнайы қорғаныс көзілдірігін, қорғаныс шлемін, құлаққап, қорғаныс құлаққап, қорғаныс қолғап пен жеңіл респиратор тағып жүруі керек.
- ▶ Құралды алмастырған кезде қорғаныс қолғаптарын да киіңіз. Алмалы-салмалы аспапқа тию кесіктерге және күйіктерге апарып соғуы мүмкін.
- ▶ Қорғауыш көзілдіріктерді пайдаланыңыз. Материалдың сынықтары денені және көзді жарақаттауы мүмкін.
- ▶ Жұмысты бастау алдында дайындама материалы бойынша пайда болатын шаңның қауіп класын анықтаңыз. Аспаппен жұмыс істеу үшін қорғаныс дәрежесі қолданыстағы шаңнан қорғау нормаларына сай құрылыс шаңсорғышын қолданыңыз. Құрамында қорғасын бар бояулар, ағаштың кейбір түрлері, бетон/кірпіш қалауы/кварц қамтитын жыныстар және минералдар мен металл сияқты материалдардан пайда болатын шаң денсаулық үшін зиянды болуы мүмкін.
- ▶ Жұмыс орнындағы ауа алмасуды жақсарту үшін әрекет етіңіз және қажетінше тиісті шаңға арналған респираторды тағыңыз. Мұндай шаңның бөлшектерімен дем алу немесе оған тию пайдаланушыларда немесе жанындағы адамдарда аллергиялық реакциялардың және/немесе дем алу жолдары ауруларының пайда болуына әкелуі мүмкін. Кейбір шаң түрлері (мысалы, өменді немесе шамшатты өңдеу кезінде пайда болатын шаң) канцерогенді деп есептеледі, әсіресе ағашты өңдеу үшін қолданылатын қосымша материалдармен (хром қышқылының тұзы, ағашты қорғау заттары) тіркесімде. Құрамында асбест бар материалдарды тек мамандар өңдеуі керек.
- ▶ Саусақтарыңыздың қандандыруын жақсарту үшін үзіліс жасап, жаттығулар жасаңыз. Ұзақ уақыт жұмыс істеген кезде, дірілдердің салдарынан саусақ, қол не буындардың қантамыры не жүйкесіне кері әсер тиюі мүмкін.



Электр қауіпсіздігі

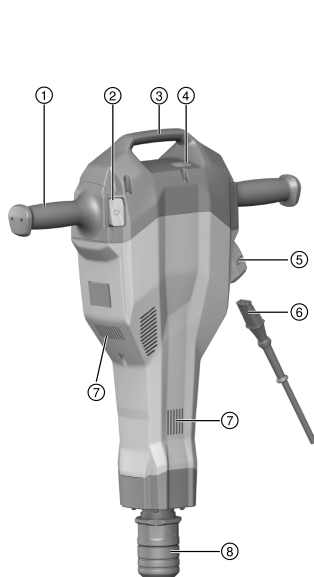
- ▶ Жұмысты бастамас бұрын, жұмыс аймағындағы электрлік сымдар, газ бен су құбырлары жабық екендігіне көз жеткізіңіз. Ток сымына байқамастан зақым келтірген жағдайда, аспаптағы сыртта орналасқан металл бөлшектер ток соғу қаупін тудыруы мүмкін.

Электр құралмен дұрыс жұмыс істеу және оны дұрыс пайдалану

- ▶ Электр құралды алып тастау алдында оның толығымен тоқтатылған күйге орнатылғанына дейін күтіңіз.

3 Сипаттама

3.1 TE 2000-AVR шолуы 1



- ① Тұтқыш
- ② Қосқыш/ажыратқыш
- ③ Тұтқыш
- ④ Қызметтік индикатор
- ⑤ Желілік кабель ашасы
- ⑥ Алмалы-салмалы желілік кабель
- ⑦ Желдету ойықтары
- ⑧ Құрал бекіткіші

3.2 Тасымалдау арбашасына шолу 2

- ① Тұтқыш
- ② Тежеуіш тұтқа
- ③ Пайдаланылатын материал ұстағышы (кескіш)
- ④ Дөңгелектер
- ⑤ Дөңгелек қорғанысы (диск, шплинт)
- ⑥ Құрылғының қысқыш жақтауы

3.3 Мақсатына сай қолдану

Сипатталған өнім қолмен басқарылатын кен балғасы болып табылады. Ол бетон, тас және асфальт бойынша қашауға арналған. Сондай-ақ, оны тегістеу және қазу үшін пайдалануға болады. Аспапты тек фирмалық тақтайшада көрсетілген электр желісінің кернеуі болғанда ғана пайдалану мүмкін болады.

3.4 Болжалды қате пайдалану

- Аспапты тек құрғақ жерлерде қолдануға болады.
- Аспапты өрт және жарылыс қаупі бар жерлерде қолданбаңыз.



- Денсаулыққа қауіпті материалдарды (мысалы, асбестті) қолдануға тыйым салынады.

3.5 Active Vibration Reduction

Өнім дірілді айтарлықтай азайтатын қосымша Active Vibration Reduction (AVR) жүйесімен жабдықталған.

3.6 Қызметтік индикатор

Қашайтын балға жарық сигналы бар қызметтік индикатормен жабдықталған.

Құралдың бөлшектері	Сипаттамасы
Қызметтік индикатор қызыл түспен жанып тұр.	Қызмет көрсету мерзімі шегіне жетті. Өнімнің әрдайым жұмысқа дайын болуын қамтамасыз ету үшін, оны дер кезінде Hilti қызмет көрсету орталығына апарыңыз. Аспаптағы ақаулықтар.
Қызметтік индикатор қызыл түспен жыпылықтайды.	Қызып кетуден қорғаныс Қамтудың кернеуі тым төмен.

3.7 Жеткізілім жинағы

Қашайтын балға, алмалы-салмалы желілік кабель, пайдалану бойынша нұсқаулық, жағармай. Тасымалдау арбашасы керек-жарақ ретінде ұсынылады.

Оған қоса, өніміңіз үшін рұқсат етілген жүйелік өнімді **Hilti** орталығында немесе келесі сайтта табуға болады: www.hilti.group

4 Техникалық сипаттамалар

4.1 Қашайтын балға

Номиналды кернеу, номиналды ток, жиілік және/немесе номиналды тұтынылатын қуат туралы ақпарат елге тән фирмалық тақтайшада берілген.

Генераторда немесе трансформаторда жұмыс істеген кезде, осы шығыс қуат аспаптың фирмалық тақтайшасында көрсетілген номиналды тұтынылатын қуаттан кем дегенде екі есе жоғары болуы керек. Трансформатор немесе генератордың басқару кернеуі әрдайым аспаптың номиналды тұтынылатын қуатының +5 % және -15 % аралығында болуы керек.

	TE 2000-AVR
ЕРТА 01 процедурасы бойынша салмағы	14,5 кг
Соққылар жиілігі	30 Гц
Қорғау класы	II

4.2 EN 60745 стандарты бойынша шуыл туралы ақпарат және діріл мәні

Осы нұсқауларда көрсетілген дыбыс қысымы мен діріл деңгейі стандартты өлшеу әдісімен өлшенген және оны басқа электр құралдарымен салыстыру үшін пайдалануға болады. Сонымен бірге, ол экспозицияны алдын ала бағалау үшін жарайды. Берілген деректер электр құралдың негізгі жұмысын көрсетеді. Алайда, егер электр құралы басқа мақсаттарда, басқа жұмыс аспаптарымен қолданылса немесе оған қанағаттандырмайтын техникалық қызмет көрсетілсе, деректер өзгеше болуы мүмкін. Осының салдарынан аспаптың бүкіл жұмыс істеу кезеңінде экспозиция айтарлықтай артуы мүмкін. Экспозицияны дәл анықтау үшін аспап сөндірілген күйде немесе бос жұмыс істейтін уақыт аралықтарын да ескеру керек. Осының салдарынан аспаптың бүкіл жұмыс істеу кезеңінде экспозиция айтарлықтай азаяуы мүмкін. Пайдаланушыны пайда болатын шуылдан және/немесе дірілден қорғау үшін қосымша сақтық шараларын қолданыңыз, мысалы: электр құралға және алмалы-салмалы аспаптарға техникалық қызмет көрсету, қолдардың жылуын сақтау, жұмыс процестерін дұрыс ұйымдастыру.

Шуылдың эмиссиялық көрсеткіші

Өлшенген дыбыс күшінің деңгейі (L_{WA})	97 дБ(A)
Кепілді дыбыс күшінің деңгейі ($L_{WA,d}$)	100 дБ(A)
Дыбыс күшінің деңгейі бойынша дәлсіздік (K_{WA})	3 дБ(A)



Эмиссиялық дыбыс қысымының деңгейі (L_{pa})	77 дБ(А)
Дыбыс қысымының деңгейі бойынша дәлсіздік (K_{pa})	3 дБ(А)

Діріл мәні

Қашау ($a_{h, Cheq}$)	4,8 м/с ²
Дәлсіздік (К)	1,5 м/с ²

5 Қызмет көрсету

5.1 Жұмысқа дайындық

АБАЙЛАҢЫЗ

Жарақат алу қаупі бар! Өнімнің кездейсоқ іске қосылуы.

- ▶ Аспап реттеулерін орындау немесе қосалқы бөлшектерді алмастыру алдында желілік ашаны тартып шығарыңыз.

Осы құжаттамадағы және өнімдегі қауіпсіздік және ескерту нұсқауларын орындаңыз.

5.1.1 Желілік кабельді аспапқа жалғау



Жиналмалы ашалы қосылымды тек таза, құрғақ және кернеусіз күйде өнімге жалғауға болады. Қосылым кодталған.

1. Желі кабелін тасымалдау қорабынан шығарыңыз.
2. Ашалы қосылымды шерту дыбысы естілгенше аспапқа бағыттаңыз.
3. Желілік кабель ашасын розеткаға салыңыз.

5.1.2 Алмалы-салмалы аспапты енгізу

1. Кабель ашасын желілік розеткадан шығарыңыз.
2. Алмалы-салмалы аспап ұшын аздап майлаңыз.
 - ▶ Тек **Hilti** компаниясы ұсынған түпнұсқа жағармай қолданыңыз. Қате майды қолдану аспапқа зақым келтіруі мүмкін.
3. Алмалы-салмалы аспапты құрал бекіткішіне енгізіңіз және оны шерту дыбысы естілгенше сәл басып айналдырыңыз.
4. Қысқыда берік бекітілгеніне көз жеткізу үшін жұмыс аспабын өзіңізге тартыңыз.

5.1.3 Алмалы-салмалы аспапты шығару

АБАЙЛАҢЫЗ

Жарақат алу қаупі бар! Алмалы-салмалы аспап ыстық және/немесе өткір болуы мүмкін.

- ▶ Алмалы-салмалы аспапты ауыстырған кезде қорғауыш қаптаманы тіреңіз.
- ▶ Ыстық алмалы-салмалы аспапты тұтанғыш беттерге ешқашан қоймаңыз.

1. Кабель ашасын желілік розеткадан шығарыңыз.
2. Құрал құлпын тірелгенше артқа тартыңыз.
3. Алмалы-салмалы аспапты шығарыңыз.

5.2 Жұмыс істеу

ЕСКЕРТУ

Ток соғу қаупі! Бүлінген жерге түйықтаушы сым мен автоматты ажыратқыш ауыр жарақаттарға және өртке апарып соғуы мүмкін.

- ▶ Құрылыс алаңындағы желі немесе генераторға қосылған электрлік жеткізуші сымда әрдайым жерге түйықтаушы сымдар мен автоматты ажыратқыш бар екендігін және қосылып тұрғанын қадағалап тұрыңыз.
- ▶ Осы қауіпсіздік құралдарынсыз ешбір өнімді іске қоспаңыз.



⚠ ЕСКЕРТУ

Зақымдалған кабельден қауіп бар! Егер жұмыс кезінде желілік немесе ұзартқыш кабель зақымдалса, оған тиюге тыйым салынады. Желілік кабельді розеткадан шығарыңыз.

- ▶ Аспаптың желілік кабелін тұрақты түрде тексеріңіз және зақымдалған кабельді ауыстыру үшін тәжірибелі электрші маманды шақырыңыз.

Жұмыстарды құрылыс басқармасы толық көлемде мақұлдауы керек!

5.2.1 Қашау

1. Желілік кабель ашасын розеткаға салыңыз.
2. Кескішті қалаулы позицияға орнатыңыз.
3. Қуат сөндіргішін басыңыз.



Төмен температуралардағы жұмыс:

Аспап соғатын механизм жұмыс істегенше минималды жұмыс температурасын қажет етеді. Оған қол жеткізу үшін, аспапты аз уақытқа астыңғы бетке қойып, бос жүрісте жұмыс істетіңіз. Қажет болса, соғатын механизм іске қосылғанша әрекетті қайталаңыз.

5.2.2 Өшіру

1. Қуат сөндіргішін басыңыз.
2. Кабель ашасын желілік розеткадан шығарыңыз.

5.2.3 Ескертпелер

Кескішті 6 түрлі позицияға (60° қадамға) орнатуға болады. Осының есебінен жалпақ және қалыпқа түсірілген кескіштерді қажетті жұмыс күйіне орнатуға болады.

- ▶ Кескішті жиектен шамамен 80-100 мм-ге (3 1/8" - 4") орналастырыңыз.
- ▶ Арматуралық болатпен жұмыс істегенде, әрқашан кескішті арматуралық болат үстімен емес, материал жиегінің үстімен жүргізіңіз.
- ▶ Қашау әрекетін бетон бетіне 70° - 80° бұрышпен бастап, ұшты жиекке бағыттаңыз. Содан кейін бұрышты 90° бағытпен жылжытыңыз және материалды сындырып алыңыз.
- ▶ Кескішті жүйелі түрде айналдырыңыз, себебі біркелкі тозу өздігінен өткірлеу барысына қолдау көрсетеді.
- ▶ Тым әлсіз басу кескіштің негізден ыршып кетуіне әкеледі. Тым қатты басу кескіш қуатының төмендеуін тудырады.

6 Қосымша тасымалдау арбашасы**6.1 Тасымалдау**

Тасымалдау арбашасы қашайтын балғаның қауіпсіз тасымалын қамтамасыз етеді.

- Тасымалдау арбашасының тұрақты күйін қамтамасыз етіңіз.
- Аспапты арнайы құрылғының қысқыш жақтауына қойып, тасымалдау барысында әрдайым қамытпен бекітіңіз.
- Кескішті арнайы ұстағышқа тірелгенше енгізіңіз.
- Қауіпсіз тасымалдау жолын қамтамасыз етіңіз.
- Тасымалдау арбашасын еңіс беттерге қоймаңыз.

7 Күту және техникалық қызмет көрсету**⚠ ЕСКЕРТУ**

Ток соғу қауіп бар! Желілік аша енгізіліп тұрған кезде күтім және техникалық қызмет көрсету ауыр жарақаттарға және өртке апарып соғуы мүмкін.

- ▶ Кез келген күтім және техникалық қызмет көрсету жұмысын орындамас бұрын желілік ашаны әрдайым суырып алыңыз!



Аспапты күту

- Қатты жабысқан кірді мұқият кетіріңіз.
- Желдету ойықтарын құрғақ щеткамен жайлап тазалаңыз.
- Корпусты тек сәл суланған шүберекпен тазалаңыз. Ешқандай силикон қамтитын күтім құралдарын пайдаланбаңыз, өйткені олар пластмасса бөлшектерін зақымдауы мүмкін.

Техникалық қызмет көрсету



ЕСКЕРТУ

Ток соғу қаупі! Электрлік құрамдас бөлшектерді қате жөндеу ауыр жарақаттану мен өртке апарып соғуы мүмкін.

- ▶ Аспаптың электр бөлігін жөндеуді тек маман-электрикке тапсырыңыз.
- Барлық көзге көрінетін бөлшектерде зақымдардың бар-жоғын және басқару элементтерінің ақауыс жұмысын жиі тексеріп тұрыңыз.
- Өнім зақымдалған және/немесе ақаулы болған жағдайда оны пайдаланушы болмаңыз. Бірден **Hilti** қызмет көрсету орталығына жөндетіңіз.
- Күтім және техникалық қызмет көрсету жұмыстарынан кейін барлық қорғауыш құрылғыларды орнатып, жұмысын тексеріңіз.



Қауіпсіз қолдану үшін тек түпнұсқа қосалқы бөлшектер мен жұмсалатын материалдарды қолданыңыз. Біз рұқсат еткен қосалқы бөлшектер, шығын материалдары мен өнімге арналған керек-жарақтар **Hilti Store** дүкенінде немесе келесі веб-сайтта қолжетімді: www.hilti.group.

8 Ақаулықтардағы көмек

Бұл кестеде келтірілмеген немесе өзіңіз түзете алмайтын ақаулықтар орын алғанда, **Hilti** қызмет көрсету орталығына хабарласыңыз.

8.1 Ақаулықтар кестесі

Ақаулық	Ықтимал себеп	Шешім
Аспап жұмыс істемейді	Электрониканы баптандыру орындалуда (ашаны жалғағаннан кейін шамамен 4 секундқа дейін).	▶ Аспапты өшіріп, қайта қосыңыз.
	Электрмен қамту жоқ	▶ Басқа электр аспапты қосыңыз және оның жұмысын тексеріңіз.
	Желілік кабель немесе аша ақаулы	▶ Тексеру үшін электрші маманға барыңыз және қажет болса, ауыстырыңыз.
	Генератор күту режимінде	▶ Генераторға екінші тұтынушы жүктеңіз (мысалы, құрылыс шамы). Содан кейін аспапты қосып, қайта өшіріңіз.
Соққымен бұрғылау орындалмайды	Аспап тым суық	▶ Аспаптың ең аз жұмыс температурасына дейін қызуына мүмкіндік беріңіз.
	Аспапта зақымдар бар	▶ Аспапты Hilti қызмет көрсету орталығында жөндеңіз.
Аспап жұмыс істемейді немесе жұмыс барысында өшіп қалады және индикатор қызыл түспен жыпылықтайды	Уақытша ақаулық (мысалы, шамадан артық қызу немесе кернеу)	▶ Аспапты өшіріп, суытыңыз немесе оны басқа қуат көзіне жалғаңыз.
Аспап жұмыс істеп тұр, бірақ индикатор қызыл түспен үздіксіз жанып тұр	Алдын ала қызметтік ескерту сигналы	▶ Қызмет көрсету немесе жөндеу жұмыстарын Hilti қызмет көрсету орталығына тапсырыңыз.



Ақаулық	Ықтимал себеп	Шешім
Аспап жұмыс істемейді немесе жұмыс барысында өшіп қалады	Ұзартқыш кабель тым ұзын немесе қимасы жеткіліксіз	▶ Ұзындығы жарамды және қимасы жеткілікті ұзартқыш кабельді қолданыңыз.
	Алмалы-салмалы желілік кабель дұрыс жалғанбаған.	▶ Алмалы-салмалы желілік кабельді электрлік аспапқа дұрыстап жалғаңыз.

9 Көдеге жарату

Hilti аспаптары қайта өңдеу үшін жарамды көптеген материалдардың санын қамтиды. Көдеге жарату алдында материалдарды мұқият сұрыптау керек. Көптеген елдерде **Hilti** компаниясы ескі аспабыңызды қайта өңдеу үшін қайта қабылдайды. **Hilti** қызмет көрсету орталығынан немесе дилеріңізден сұраңыз.



- ▶ Электр құралдарды, электрондық құрылғылар мен аккумуляторларды тұрмыстық қоқыспен бірге тастамаңыз!

10 RoHS (зиянды заттектердің пайдаланылуын шектеу директивасы)

Төмендегі сілтеме бойынша зиянды заттектердің кестесі келтірілген: qr.hilti.com/r6025050.

RoHS кестесінің сілтемесі осы құжаттаманың соңында QR коды ретінде берілген.

11 Өндіруші кепілдігі

- ▶ Кепілдік шарттары туралы сұрақтарыңыз болса, жергілікті **Hilti** серіктесіне хабарласыңыз.



1 Dokümantasyon verileri

1.1 Bu doküman için

- Çalıştırmadan önce bu dokümanı okuyunuz. Bu, güvenli çalışma ve arzasız kullanım için ön koşuldur.
- Bu dokümanda ve ürün üzerinde bulunan güvenlik ve uyarı bilgilerine dikkat ediniz.
- Kullanım kılavuzunu her zaman ürün üzerinde bulundurunuz ve ürünü sadece bu kılavuz ile birlikte başka kişilere veriniz.

1.2 Resim açıklaması

1.2.1 Uyarı bilgileri

Uyarı bilgileri, ürün ile çalışırken ortaya çıkabilecek tehlikelere karşı uyarır. Aşağıdaki uyarı metinleri kullanılır:

TEHLİKE

TEHLİKE !

- ▶ Ağır vücut yaralanmalarına veya doğrudan ölüme sebep olabilecek tehlikeler için.

İKAZ

İKAZ !

- ▶ Ağır yaralanmalara veya ölüme neden olabilecek tehlikeler için.





DİKKAT

DİKKAT !

- ▶ Hafif vücut yaralanmalarına veya maddi hasarlara yol açabilecek olası tehlikeli durumlar için.


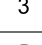
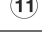

1.2.2 Dokümandaki semboller

Bu dokümanda aşağıdaki semboller kullanılmıştır:

	Kullanmadan önce kullanım kılavuzunu okuyunuz
	Kullanım uyarıları ve diğer gerekli bilgiler
	Geri dönüşümlü malzemeler ile çalışma
	Elektrikli aletleri ve aküleri evdeki çöplere atmayınız

1.2.3 Resimlerdeki semboller


Resimlerde aşağıdaki semboller kullanılmıştır:

	Bu sayılar, kılavuzun başlangıcındaki ilgili resimlere atanmıştır
	Numaralandırma, resimdeki çalışma adımlarının sırasını göstermektedir ve metindeki çalışma adımlarından farklı olabilir
	Pozisyon numaraları Genel bakış resminde kullanılır ve Ürüne genel bakış bölümündeki açıklama numaralarına referans niteliğindedir
	Bu işaret, ürün ile çalışırken dikkatinizi çekmek için koyulmuştur.

1.3 Ürün ile ilgili semboller

1.3.1 Üründeki semboller

Üründe aşağıdaki semboller kullanılmıştır:

	Koruma sınıfı II (çift izolasyonlu)
	Servis göstergesi



1.4 Ürün bilgileri

HILTI ürünleri profesyonel kullanıcıların kullanımı için öngörülmüştür ve sadece yetkili personel tarafından kullanılabilir ve bakımı yapılabilir. Bu personel, meydana gelebilecek tehlikeler hakkında özel olarak eğitim görmüş olmalıdır. Aletin ve ilgili yardımcı gereçlerin eğitimsiz personel tarafından usulüne uygun olmayan şekilde kullanılması ve amaçları dışında çalıştırılması sonucu tehlikeli durumlar söz konusu olabilir. Tip tanımı ve seri numarası, tip plakası üzerinde belirtilmiştir.

- Seri numarasını aşağıdaki tabloya aktarınız. Ürün bilgileri acente veya servis merkezini aradığınızda sorulabilir.

Ürün bilgileri

Keski tabancası	TE 2000-AVR
Nesil	01
Seri no.	

1.5 Uygunluk beyanı

Burada tanımlanan ürünün, geçerli yönetmeliklere ve normlara uygun olduğunu kendi sorumluluğumuzda beyan ederiz. Bu dokümantasyonun sonunda uygunluk beyanının bir kopyasını bulabilirsiniz.

Teknik dokümantasyonlar eklidir:

Hilti Entwicklungsgesellschaft mbH | Zulassung Geräte | Hiltistraße 6 | 86916 Kaufering, DE

2 Güvenlik

2.1 Elektrikli el aletleri için genel güvenlik uyarıları

⚠ UYARI Tüm güvenlik uyarılarını ve talimatlarını okuyun. Güvenlik uyarılarına ve talimatlara uyulmamasındaki ihmallere elektrik çarpması, yanma ve/veya ağır darbelere sebep olabilir.

Tüm güvenlik uyarılarını ve kullanım talimatlarını muhafaza edin.

İşyeri güvenliği

- **Çalışma alanınızı temiz ve aydınlık tutun.** Düzensiz veya aydınlatma olmayan çalışma alanları kazalara yol açabilir.
- **Yanıcı sıvıların, gazların veya tozların bulunduğu patlama tehlikesi olan yerlerde elektrikli el aleti ile çalışmayın.** Elektrikli el aletleri, toz veya buharı yakabilecek kıvılcım oluşturur.
- **Elektrikli el aletinin kullanımı sırasında, çocukları ve diğer kişileri uzak tutun.** Dikkatinizin dağılması alet üzerindeki kontrolünüzü kaybetmenize neden olabilir.

Elektrik güvenliği

- **Elektrikli el aletinin bağlantı fişi prize uygun olmalıdır. Fiş hiçbir şekilde değiştirilmemelidir. Adaptör fişini topraklama korumalı elektrikli el aletleri ile birlikte kullanmayın.** Değiştirilmemiş fişler ve uygun prizler elektrik çarpması riskini azaltır.
- **Borular, radyatörler, fırınlar ve soğutucular gibi toprağa temas eden üst yüzeylere vücudunuzla temas etmekten kaçının.** Vücudunuzun toprakla teması var ise yüksek bir elektrik çarpması riski söz konusudur.
- **Elektrikli el aletini yağmurdan veya ıslaklıktan uzak tutun.** Elektrikli el aletine su girmesi, elektrik çarpması riskini artırır.
- **Elektrikli el aletini taşımak, asmak veya fişi prizden çekmek için kabloyu kullanım amacı dışında kullanmayın.** Kabloyu sıcağın, yağdan, keskin kenarlardan ve hareketli alet parçalarından uzak tutun. Hasarlı veya karışmış kablolar elektrik çarpması riskini artırır.
- **Elektrikli bir el aleti ile açık alanda çalışacaksanız sadece dışarıda kullanımına da izin verilen uzatma kabloları kullanın.** Dış mekanlar için uygun olan uzatma kablolarının kullanımı elektrik çarpması riskini azaltır.
- **Elektrikli el aleti işletiminin nemli ortamda yapılması kaçınılmaz ise bir kaçak akım koruma şalteri kullanın.** Bir kaçak akım koruma şalterinin kullanımı elektrik çarpması riskini azaltır.

Kişilerin güvenliği

- **Dikkatli olun, ne yaptığınıza dikkat edin ve el aleti ile mantıklı bir şekilde çalışın.** Yorgunsanız veya uyuşturucu, alkol veya ilaç etkisi altında olduğunuzda elektrikli el aleti kullanmayın. Elektrikli el aletini kullanırken bir anlık dikkatsizlik ciddi yaralanmalara neden olabilir.
- **Kişisel koruyucu donanım ve her zaman bir koruyucu gözlük takın.** Elektrikli el aletinin türüne ve kullanımına göre toz maskesi, kaymayan güvenlik ayakkabısı, koruyucu kask veya kulaklık gibi kişisel koruyucu donanımların kullanılması yaralanma riskini azaltır.



- **İstem dışı çalışmayı önleyin. Güç kaynağını bağlamadan, yerleştirmeden veya taşımadan önce elektrikli el aletinin kapalı olduğundan emin olun.** El aletini taşıırken parmağınızı şalterde ise veya alet açık konumda güç kaynağına takılırsa bu durum kazalara yol açabilir.
- **Elektrikli el aletini devreye almadan önce ayar aletlerini veya vidalama anahtarlarını çıkartın.** Dönen bir alet parçasında bulunan bir alet veya anahtar yaralanmalara yol açabilir.
- **Aşırı bir vücut hareketinden sakının. Güvenli bir duruş sağlayın ve her zaman dengeli tutun.** Böylece beklenmedik durumlarda elektrikli el aletini daha iyi kontrol edebilirsiniz.
- **Uygun kıyafetler giyin. Bol kıyafetler giymeyin veya takı takmayın. Saçları, kıyafetleri ve eldivenleri hareket eden parçalardan uzak tutun.** Bol kıyafetler, takı veya uzun saçlar hareket eden parçalara takılabilir.
- **Toz emme ve tutma tertibatları monte edilebiliyorsa bunların bağlı olduğundan ve doğru kullanıldığından emin olun.** Bu toz emme tertibatının kullanımı tozdan kaynaklanabilecek tehlikeleri azaltabilir.

Elektrikli el aletinin kullanımı ve çalıştırılması

- **Aleti çok fazla zorlamayın. Çalışmanızı için uygun olan elektrikli el aletini kullanın.** Uygun elektrikli el aleti ile bildirilen hizmet alanında daha iyi ve güvenli çalışırsınız.
- **Şalteri bozuk olan elektrikli el aletini kullanmayın.** Açılıp kapatılmayan bir elektrikli el aleti tehlikelidir ve tamir edilmesi gerekir.
- **Alet ayarı yapmadan, aksesuar parçalarını değiştirmeden veya aleti bir yere koymadan önce fişi prizden çıkartın.** Bu önlem, elektrikli el aletinin istem dışı çalışmasını engeller.
- **Kullanılmayan elektrikli el aletlerini çocukların erişemeyeceği yerde muhafaza edin. Aleti iyi tanımayan veya bu talimatları okumamış kişilere aleti kullanırmayın.** Elektrikli el aletleri bilgisiz kişiler tarafından kullanılırsa tehlikelidir.
- **Elektrikli el aletlerinin bakımını titizlikle yapın. Hareketli parçaların kusursuz çalıştığı ve sıkışmadığı, parçaların kırılıp kırılmadığı veya hasar görüp görmediği, elektrikli el aleti fonksiyonlarının kısıtlanma durumlarını kontrol edin. Hasarlı parçaları aleti kullanmadan önce tamir ettirin.** Birçok kazanın nedeni bakımı kötü yapılan elektrikli el aletleridir.
- **Kesme aletlerini keskin ve temiz tutun.** Özenle bakımı yapılmış keskin bıçak kenarı olan kesme aletleri daha az sıkışır ve kullanımı daha rahattır.
- **Elektrikli el aletini, aksesuarları, ek aletleri vb. bu talimatlara göre kullanın. Çalışma şartlarını ve yapılacak işi de ayrıca göz önünde bulundurun.** Elektrikli el aletlerinin öngörülen kullanımı dışında kullanılması tehlikeli durumlara yol açabilir.

Servis

- **Elektrikli el aletinizi sadece kalifiye uzman personele ve sadece orijinal yedek parçalar ile tamir ettirin.** Böylece elektrikli el aletinin güvenliğinin korunduğundan emin olunur.

2.2 Kırıcı-delici için güvenlik uyarıları

- **Kulaklık takınız.** Aşırı sestense dolayı duyma kaybı meydana gelebilir.
- **Aletle birlikte verilen ek tutamakları kullanınız.** Kontrol kaybı yaralanmalara yol açabilir.
- **Kullandığınız aletin gizli elektrik hatlarına veya kendi şebeke kablosuna isabet edebileceği çalışmalar yapıyorsanız aleti sadece izolasyonlu tutamaklardan tutunuz.** Elektrik ileten bir hat ile temasta metal parçalar da gerilim altında kalır ve elektrik çarpmasına neden olabilir.

2.3 Keski tabancası ek güvenlik uyarıları

Kişilerin güvenliği

- Ürünü sadece teknik açıdan sorunsuz durumdaki kullanın.
- Alette hiç bir zaman manipülasyonlar veya değişiklikler yapmayın.
- Tavanda, duvarda ve zeminde keskinle yaparken güvenli ve sabit bir duruş sağlamaya dikkat ediniz. Ani bir kırma hareketi dengeyi bozabilir!
- Kırma çalışmalarında, çalışılacak yerin karşı tarafında bulunan bölgeyi emniyete alın. Kırılan parçalar dışarı ve / veya yere düşebilir ve diğer kişilerin yaralanmasına sebep olabilir.
- Aletin kullanımı sırasında siz ve yakında bulunan kişilerin uygun bir koruyucu gözlük, koruyucu kask, kulaklık, koruyucu eldiven ve hafif solunum koruma maskesi takması gerekir.
- Matkap ucu değişimi sırasında koruyucu eldiven takın. Ek alete takılan uçlara dokunmak kesik ve yanık türünde yaralanmalara yol açabilir.
- Koruyucu gözlük kullanın. Etrafa sıçrayan malzeme vücudu ve gözleri yaralayabilir.
- Çalışmaya başlamadan önce çalışma sırasında ortaya çıkan tozun tehlike sınırını öğrenin. Ülkenizdeki tozdan koruma yönergelerine uygun bir resmi koruma sınıfına sahip toz emme tertibatı kullanın. Kurşun



içeren boyalar gibi malzemelerin tozu, bazı ahşap türleri, kuartz içeren beton / duvar / taşlar, mineraller ve metaller sağlığa zarar verebilir.

- ▶ Çalışma yerinin iyi havalandırmasını sağlayın ve gerektiği durumlarda ilgili toz için uygun olan bir maske kullanın. Tozlara dokunulması veya tozların solunması, kullanıcıda veya yakınında bulunan kişilerde alerjik reaksiyonlara ve/veya solunum yolu hastalıklarına yol açabilir. Kayın veya meşe ağacı gibi belli tür tozlar özellikle ahşap işlemede ek maddelerle (kromat, ahşap koruyucu malzemeler) bağlantılı çalışıldığında kanser yapıcı olarak kabul edilir. Asbest içerikli malzemeler sadece uzman kişiler tarafından işlenmelidir.
- ▶ Parmaklarınızdaki kan dolaşımının daha iyi olması için çalışma molaları verin ve parmak egzersizleri yapın. Uzun süreli çalışmalarda titreşimden dolayı parmaklar, eller veya bileklerdeki kan damarlarında veya sinir sisteminde rahatsızlıklar oluşabilir.

Elektrik güvenliği

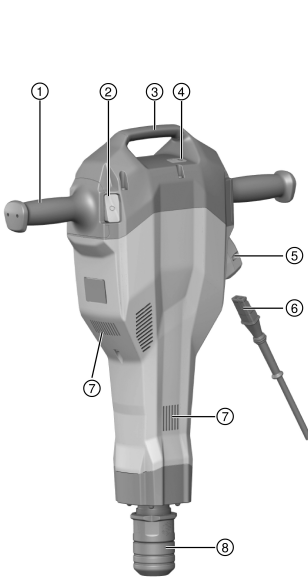
- ▶ Çalışmaya başlamadan önce çalışma alanında üzeri kapatılmış elektrik kablosu, gaz ve su borusu bulunup bulunmadığını kontrol edin. Bir elektrik hattına kazara zarar verilmesi halinde, aletin dışındaki metal parçalar elektrik çarpmasına neden olabilir.

Elektrikli el aletleri ile dikkatli çalışılması ve aletin doğru kullanılması

- ▶ Yere koymadan önce elektrikli el aletin tamamen durmasını bekleyiniz.

3 Tanımlama

3.1 TE 2000-AVR genel bakışı 1



- 1 Tutamak
- 2 Açma/kapatma şalteri
- 3 Taşıma kulbu
- 4 Servis göstergesi
- 5 Şebeke kablosu fişi
- 6 Geçmeli şebeke kablosu
- 7 Havalandırma delikleri
- 8 Alet bağlantı yeri

3.2 Taşıma aracına genel bakış 2

- 1 Tutamak
- 2 Kavrama kelepçesi
- 3 Sarf malzemesi için tutucu (keski)
- 4 Tekerlekler
- 5 Tekerlek emniyeti (disk, kopyıya)
- 6 Makine bağlantı mandreli



3.3 Usulüne uygun kullanım

Tanımlanan ürün elle kumandalı bir keski tabancasıdır. Beton, duvar ve asfalt yüzeylerdeki kesikleme işleri için tasarlanmıştır. Tokmaktama ve kazıma işleri için de kullanılabilir.

Çalışma sadece tip plakasında verilen şebeke gerilimi ve frekansta gerçekleşmelidir.

3.4 Öngörülebilir hatalı kullanım

- Alet sadece kuru olan bir çevrede çalıştırılabilir.
- Yangın ve patlama tehlikesi olan yerlerde aleti kullanmayınız.
- Sağlığa zarar verebilecek malzemeler (örn. asbest) üzerinde çalışma yapılmamalıdır.

3.5 Active Vibration Reduction

Üründe opsiyonel olarak titreşimleri önemli ölçüde azaltan Active Vibration Reduction (AVR) sistemi mevcuttur.

3.6 Servis göstergesi

Keski tabancasında ışık sinyali bulunan bir servis göstergesi mevcuttur.

Durum	Anlamı
Servis göstergesi kırmızı yanıyor.	Servis ömrüne ulaşıldı. Her zaman çalışmaya hazır durumda tutulması için ürünü doğru zamanda Hilti Service 'ye getiriniz. Alette hasar.
Servis göstergesi kırmızı yanıp sönüyor.	Aşırı sıcaklık koruması Güç kaynağının gerilimi çok yüksek.

3.7 Teslimat kapsamı

Keski tabancası, geçmeli şebeke kablosu, kullanım kılavuzu, gres. Taşıma aracı aksesuar olarak kullanıma sunulur.

Ürünleriniz için izin verilen diğer sistem ürünlerini **Hilti Center** veya internetteki şu adreste bulabilirsiniz: www.hilti.group

4 Teknik veriler

4.1 Keski tabancası



Nominal gerilim, nominal akım, frekans ve/veya nominal akım tüketimi değerlerini ülkenize özgü tip plakasında bulabilirsiniz.

Jeneratörlü veya transformatörlü bir işletim durumunda çıkış gücü, aletin tip plakasında belirtilen nominal akım tüketiminin en az iki katı büyüklüğünde olmalıdır. Transformatörün veya jeneratörün çalışma gerilimi her zaman alet nominal geriliminin %+5'i ile %-15'i arasında olmalıdır.

	TE 2000-AVR
EPTA prosedürü 01 uyarınca ağırlık	14,5 kg
Darbe sayısı	30 Hz
Koruma sınıfı	II

4.2 EN 60745 uyarınca ses bilgisi ve titreşim değerleri

Bu talimatlarda belirtilen ses basıncı ve titreşim değerleri, ilgili normlara uygun bir ölçüm metodu ile ölçülmüştür ve elektrikli el aletlerinin birbirleri ile karşılaştırılması için kullanılabilir. Zorlanmaların geçici olarak değerlendirilmesine de uygundur. Belirtilen değerler, elektrikli el aletinin ana kullanım alanlarını temsil eder. Elektrikli el aletinin, farklı ek aletlerle veya yetersiz bakım yapılmış şekilde kullanılması durumunda, veriler sapma gösterebilir. Bu durum, toplam çalışma süresi boyunca zorlanmayı belirgin şekilde yükseltebilir. Doğru bir zorlanma değerlendirmesi için aletin kapatıldığı veya çalışır konumda olduğu ve ayrıca kullanımda olmadığı zamanlar da dikkate alınmalıdır. Bu durum, toplam çalışma süresi boyunca zorlanmayı belirgin şekilde



azaltabilir. Kullanıcıyı ses ve/veya titreşimin etkilerinden koruyacak ek güvenlik önlemleri belirleyiniz, örneğin: Elektrikli el aletinin ve ek aletlerin bakımının yapılması, ellerin sıcak tutulması, iş akışlarının düzenlenmesi.

Ses emisyonu değerleri

Ölçülen ses gücü seviyesi (L_{WA})	97 dB(A)
Güvence altındaki ses gücü seviyesi ($L_{WA,d}$)	100 dB(A)
Ses gücü seviyesi için emniyetsizlik (K_{WA})	3 dB(A)
Emisyon ses basıncı seviyesi (L_{pA})	77 dB(A)
Ses basıncı seviyesi için emniyetsizlik (K_{pA})	3 dB(A)

Titreşim değerleri

Keskilme ($a_{h, Cheq}$)	4,8 m/sn ²
Emniyetsizlik (K)	1,5 m/sn ²

5 Kullanım

5.1 Çalışma hazırlığı


DİKKAT

Yaralanma tehlikesi! Ürünün yanlışlıkla çalışmaya başlaması.

- ▶ Aletin ayarlarını yapmadan veya aksesuar parçalarını değiştirmeden önce şebeke fişini çekin.

Bu dokümanda ve ürün üzerinde bulunan güvenlik ve uyarı bilgilerine dikkat ediniz.

5.1.1 Şebeke kablosunun alete bağlanması

 Sökülebilir soket bağlantısı sadece temiz, kuru ve gerilimsiz bir durumdayken ürüne bağlanabilir. Bağlantı kodlanmıştır.

1. Şebeke kablosunu taşıma kartonundan çıkarınız.
2. Soket bağlantısını, kilit duyulur şekilde yerine oturana kadar alete yerleştiriniz.
3. Şebeke fişini prize takınız.

5.1.2 Ek aletin yerleştirilmesi

1. Şebeke fişini prizden çekiniz.
2. Ek aletin giriş ucunu gresle hafifçe yağlayınız.
 - ↳ Sadece **Hilti** marka orijinal gres kullanınız. Yanlış bir gres tipi alette hasara neden olabilir.
3. Ek aleti alet bağlantı yerine takınız ve hafifçe bastırarak duyulur şekilde yerine oturana kadar döndürünüz.
4. Aleti çekerek güvenli kilitleme durumunu kontrol ediniz.

5.1.3 Ek aletin çıkarılması

DİKKAT

Yaralanma tehlikesi! Ek alet sıcak ve/veya keskin kenarlı olabilir.

- ▶ Ek aleti değiştirirken koruyucu eldiven takınız.
- ▶ Sıcak ek aleti asla yanıcı zeminlere bırakmayınız.

1. Şebeke fişini prizden çekiniz.
2. Alet kilidini dayanak noktasına kadar geri çekiniz.
3. Ek aleti çıkarınız.



5.2 Çalışma

⚠ İKAZ

Elektrik çarpması tehlikesi! Topraklama kablosunun ve kaçak akım koruma şalterinin olmaması, ciddi yaralanmalara ve yanıklara neden olabilir.

- ▶ İnşaat alanındaki elektrikli şebeke veya jeneratör hatlarında daima topraklama hattı ve kaçak akım koruma şalteri olduğundan ve bunların bağlı olduğundan emin olunuz.
- ▶ Bu güvenlik önlemleri olmadan hiçbir ürünü çalıştırmayınız.

⚠ İKAZ

Hasarlı kablo nedeniyle tehlike! Çalışma esnasında şebeke veya uzatma kablosu hasar görürse bu kabloya dokunmamalısınız. Şebeke fişi prizden çekilmelidir.

- ▶ Aletin bağlantı hatlarını düzenli olarak kontrol ediniz ve hasar durumunda bunu yetkili bir uzmana değiştiriniz.

İşleri tam kapsamlı olarak inşaat bölümüne onaylatınız!

5.2.1 Kesileme

1. Şebeke fişini prize takınız.
2. Keskiyi istediğiniz pozisyona ayarlayınız.
3. Açma/kapatma şalterine basınız.



Düşük sıcaklıklarda çalışma:

Darbe mekanizması çalışana kadar aletin minimum bir çalışma sıcaklığına ihtiyacı vardır. Buna erişmek için aleti kısa bir süre yere koyunuz ve boşta çalıştırınız. Gerekirse darbe mekanizması çalışana kadar bu işlemi tekrarlayınız.

5.2.2 Kapatılması

1. Açma/ kapatma şalterine basınız.
2. Şebeke fişini prizden çekiniz.

5.2.3 Çalışma uyarıları



Keski, 6 farklı konumda (60°'lik kademelerle) ayarlanabilir. Böylece yassı ve kalıp keski ile her zaman en uygun çalışma konumunda çalışılabilir.

- ▶ Keskiyi kenara yakl. 80-100 mm (3 1/8" - 4") mesafede konumlandırınız.
- ▶ Donatı demiri mevcutsa keskiyi her zaman malzeme kenarına karşı konumlandırınız, donatı demirine konumlandırmayınız.
- ▶ Beton üst yüzey için kesileme işlemine 70° - 80°'lik bir açıyla başlayınız ve ucu kenara doğru yönlendiriniz. Ardından açığı 90°'ye getiriniz ve malzemeyi kırınız.
- ▶ Keskiyi düzenli şekilde döndürünüz, bu sayede eşit dağılımlı aşınma etkisinin kendi kendini bileme prosesini desteklemesini sağlarsınız.
- ▶ Çok düşük baskı basıncı keskinin sıçramasına neden olur. Çok yüksek baskı basıncı kesileme gücünde azalmaya neden olur.

6 Taşıma aracı opsiyonu

6.1 Taşıma

Taşıma aracı, keski tabancasının tehlikesiz biçimde taşınmasını sağlar.

- Nakliye aracının sabit bir konumda kalmasını sağlayınız.
- Aleti kendisi için öngörülen makine bağlantı mandreline yerleştiriniz ve taşıma esnasında daima tutma kelepçesi ile emniyete alınız.
- Keskiyi, yerine oturana kadar öngörülen tutucuya yerleştiriniz.
- Güvenli taşıma yolları kullanmaya dikkat ediniz.
- Nakliye aracını eğimli yüzeyler üzerinde bırakmayınız.



7 Bakım ve onarım

⚠ İKAZ

Elektrik çarpması tehlikesi! Şebeke fişi takılıyken yapılan bakım ve onarım çalışmaları ciddi yaralanmalara ve yanıklara neden olabilir.

- Tüm bakım ve onarım çalışmalarından önce her zaman şebeke fişi çekilmelidir!

Bakım

- Yapışmış olan kir dikkatlice çıkarılmalıdır.
- Havalandırma deliklerini kuru bir fırça ile dikkatlice temizleyiniz.
- Gövde sadece hafif nemli bir bezle temizlenmelidir. Plastik parçalara yapışabileceğinden silikon içerikli bakım maddeleri kullanılmamalıdır.

Onarım

⚠ İKAZ

Elektrik çarpması tehlikesi! Elektrikli parçalarda usulüne uygun olmayan onarımlar ciddi yaralanmalara ve yanıklara neden olabilir.

- Elektrik parçalarındaki onarımlar sadece elektronik uzmanı tarafından yapılabilir.
- Görünür tüm parçalarda hasar olup olmadığı ve kumanda elemanlarının sorunsuz şekilde çalıştığı kontrol edilmelidir.
- Hasar ve/veya fonksiyon arızaları durumunda ürün çalıştırılmamalıdır. Derhal **Hilti** servisi tarafından onarılmalıdır.
- Bakım ve onarım çalışmalarından sonra tüm koruma tertibatları yerleştirilmeli ve fonksiyonları kontrol edilmelidir.



Güvenli çalışma için sadece orijinal yedek parçalar ve sarf malzemeleri kullanınız. Tarafımızdan onaylanmış, yedek parçaları, aksesuarları ve sarf malzemelerini **Hilti Store** veya adresinde bulabilirsiniz. www.hilti.group.

8 Arıza durumunda yardım

Bu tabloda listelenmemiş veya kendi başınıza gideremediğiniz arızalarda lütfen yetkili **Hilti** servisimiz ile irtibat kurunuz.


8.1 Arıza tablosu

Arıza	Olası sebepler	Çözüm
Alet çalışmıyor	Elektronik başlatılıyor (soket takıldıktan itibaren yaklaşık 4 saniye içinde)	► Alet kapatılıp tekrar açılmalıdır.
	Şebeke elektriği kesik	► Başka elektronik alet takıp, fonksiyonu kontrol edilmelidir.
	Şebeke kablosu veya fiş arızalı	► Elektronik uzmanı tarafından kontrol edilmelidir ve gerekirse değiştirilmelidir.
	Uyku Mod'lu jeneratör	► Jeneratörü ikinci bir tüketici (örneğin şantiye lambası) ile yük altına alınız. Ardından aleti açıp kapatınız.
Darbe yok	Alet çok soğuk	► Aleti asgari çalışma sıcaklığına getiriniz.
	Alette hasar	► Alet Hilti Service tarafından onarılmalıdır.
Alet çalışmıyor veya işletim sırasında kapanıyor ve gösterge kırmızı yanıp sönüyor	Geçici hata (örn. aşırı ısınma veya aşırı gerilim)	► Kapatınız, aleti soğuması için bırakınız veya aleti başka bir güç kaynağına bağlayınız.



Arıza	Olası sebepler	Çözüm
Alet çalışıyor, fakat gösterge sürekli kırmızı yanıyor	Servis ön uyarısı	► Aletin servisi veya onarımı Hilti Service tarafından gerçekleştirilmelidir.
Alet çalışmıyor veya işletim sırasında kapanıyor	Uzatma kablosu çok uzun veya çok düşük kesitli	► Geçerli uzunluğa ve yeterli kesite sahip bir uzatma kablosu kullanınız.
	Geçmeli şebeke kablosu doğru takılmamış.	► Geçmeli şebeke kablosunu elektrikli el aletine doğru şekilde bağlayınız.

9 İmha

 **Hilti** aletleri yüksek oranda geri dönüşümlü malzemelerden üretilmiştir. Geri dönüşüm için gerekli koşul, usulüne uygun malzeme ayırımıdır. Çoğu ülkede **Hilti**, eski aletlerini yeniden değerlendirmek üzere geri alır. Bu konuda **Hilti** müşteri hizmetlerinden veya satış temsilcinizden bilgi alabilirsiniz.



- Elektrikli el aletlerini, elektronik cihazları ve aküleri evdeki çöplere atmayınız!

10 RoHS (Tehlikeli madde kullanımını kısıtlama direktifi)

Aşağıdaki linkte tehlikeli maddeler tablosunu bulabilirsiniz: qr.hilti.com/r6025050.
RoHS tablosunun linkini bu dokümanın sonunda QR kodu olarak bulabilirsiniz.

11 Üretici garantisi

- Garanti koşullarına ilişkin sorularınız için lütfen yerel **Hilti** iş ortağınıza başvurunuz.



1.1 حول هذا المستند

- اقرأ هذه المستندات بالكامل قبل التشغيل. يعتبر هذا شرطا للعمل بشكل آمن والاستخدام بدون اختلالات.
- تراعى إرشادات الأمان والإرشادات التحذيرية الواردة في هذا المستند وعلى الجهاز.
- احتفظ بدليل الاستعمال دائما مع المنتج، ولا تعطي الجهاز لآخرين إلا مرفقا بهذا الدليل.

2.1 شرح العلامات

1.2.1 إرشادات تحذيرية

تنبه الإرشادات التحذيرية إلى الأخطار الناشئة عند التعامل مع الجهاز. يتم استخدام الكلمات الدليلية التالية:

خطر

خطر!

• تشير لخطر مباشر يؤدي لإصابات جسدية خطيرة أو إلى الوفاة.

تحذير

تحذير!

• تشير لخطر محتمل قد يؤدي لإصابات جسدية خطيرة أو إلى الوفاة.

احترس

احترس!

• تشير لموقف خطر محتمل يمكن أن يؤدي لإصابات جسدية خفيفة أو أضرار مادية.

2.2.1 الرموز في المستند

يتم استخدام الرموز التالية في هذا المستند:

قبل الاستخدام اقرأ دليل الاستعمال	
إرشادات الاستخدام ومعلومات أخرى مفيدة	
التعامل مع مواد قابلة لإعادة التدوير	
لا تتخلص من الأجهزة الكهربائية البطاريات ضمن القمامة المنزلية	

3.2.1 الرموز في الصور

تستخدم الرموز التالية في الرسوم التوضيحية:

2	تشير هذه الأعداد إلى الصور المعنية بمطلع هذا الدليل
3	ترقيم الصور يمثل ترتيب خطوات العمل في الصور، وقد يختلف عن ترقيم خطوات العمل في النص
11	يتم استخدام أرقام المواضع في صورة العرض العام وهي تشير إلى أرقام تعليق الصورة في فصل عرض عام للمنتج
	ينبغي أن تسترعي هذه العلامة اهتماما خاصا عند التعامل مع المنتج.

3.1 الرموز المرتبطة بالمنتج

1.3.1 الرموز على المنتج

يتم استخدام الرموز التالية على المنتج:

	فئة الحماية II (عزل مزدوج)
--	----------------------------





4.1 معلومات المنتج

منتجات **HILTI** مصممة للمستخدمين المحترفين ويقتصر استعمالها وصيانتها وإصلاحها على الأشخاص المعتمدين والمدربين جيدا. هؤلاء الأشخاص يجب أن يكونوا قد تلقوا تدريباً خاصاً على الأخطار الطارئة. قد يتسبب الجواز وأدواته المساعدة في حدوث أخطار إذا تم التعامل معها بشكل غير سليم فنياً من قبل أشخاص غير مدربين أو تم استخدامها بشكل غير مطابق للتعليمات.

يوجد مسمى الطراز والرقم المسلسل على لوحة الصنع.

انقل الرقم المسلسل في الجدول التالي. ستحتاج إلى بيانات المنتج في حالة الاستفسارات الموجهة إلى ممثلينا أو مركز الخدمة.

بيانات المنتج

الإزميل الدقاق	TE 2000-AVR
الجيل	01
الرقم المسلسل	

5.1 بيان المطابقة

نقر على مسئوليتنا الفردية بأن المنتج المشروع هنا متوافق مع التشريعات والمواصفات المعمول بها. تجد صورة بيان المطابقة في نهاية هذا المستند.

المستندات الفنية محفوظة هنا:

Hilti Entwicklungsgesellschaft mbH | Zulassung Geräte | Hiltistraße 6 | 86916 Kaufering, DE

2 السلامة

1.2 إرشادات السلامة العامة المتعلقة بالأدوات الكهربائية

⚠ تحذير احرص على قراءة جميع إرشادات السلامة والتعليمات. أي تقصير أو إهمال في تطبيق إرشادات السلامة والتعليمات قد يتسبب في حدوث صدمة كهربائية أو حريق و/أو إصابات خطيرة.

احتفظ بجميع مستندات إرشادات السلامة والتعليمات لاستخدامها عند الحاجة إليها فيما بعد.

سلامة مكان العمل

- حافظ على نطاق عملك نظيفاً ومضاءً بشكل جيد. الفوضى أو أماكن العمل غير المضاءة يمكن أن تؤدي لوقوع حوادث.
- لا تعمل بالأداة الكهربائية في محيط معرض لخطر الانفجار يتواجد به سوائل أو غازات أو أنواع غبار قابلة للاشتعال. الأدوات الكهربائية تولد شرراً يمكن أن يؤدي لإشعال الغبار والأبخرة.
- احرص على إبعاد الأطفال والأشخاص الآخرين أثناء استخدام الأداة الكهربائية. في حالة تشتت انتباهك قد تفقد السيطرة على الجهاز.

السلامة الكهربائية

- يجب أن يكون قابس توصيل الأداة الكهربائية متلائماً مع المقبس. لا يجوز تعديل القابس بأي حال من الأحوال. لا تستخدم قوايس مهايأة مع أدوات كهربائية ذات وصلة أرضي محمية. القوايس غير المعدلة والمقابس الملائمة تقلل من خطر حدوث صدمة كهربائية.
- تجنب حدوث تلامس للجسم مع أسطح مؤرضة مثل الأسطح الخاصة بالمواسير وأجهزة التدفئة والمواقد والثلاجات. ينشأ خطر متزايد من حدوث صدمة كهربائية عندما يكون جسمك متصلاً بالأرض.
- أبعد الأدوات الكهربائية عن الأمطار أو البلل. تسرب الماء إلى داخل الأداة الكهربائية يزيد من خطر حدوث صدمة كهربائية.
- لا تستخدم الكابل في الغرض غير المخصص له، كأن تستخدمه لحمل الأداة الكهربائية أو تعليقها أو لسحب القابس من المقبس. احتفظ بالكابل بعيداً عن السخونة والزيت والحواف الحادة والأجزاء المتحركة للجهاز. الكابلات التالفة أو المتشابكة تزيد من خطر حدوث صدمة كهربائية.
- عندما تعمل بأداة كهربائية في مكان مكشوف، لا تستخدم سوى كابلات الإطالة المناسبة للعمل في النطاق الخارجي. استخدام كابل إطالة مناسب للعمل في النطاق الخارجي يقلل من خطر حدوث صدمة كهربائية.
- إذا تعذر تجنب تشغيل الأداة الكهربائية في محيط رطب، فاستخدم مفتاح حماية من تسرب التيار. استخدام مفتاح الحماية من تسرب التيار يقلل خطر حدوث صدمة كهربائية.



- كن يقظا وانتبه لما تفعل وتعامل مع الأداة الكهربائية بتعقل عند العمل بها. لا تستخدم الأداة الكهربائية عندما تكون متعبا أو تمت تأثير المخدرات أو الكحوليات أو العقاقير. فقد يتسبب عدم الانتباه للحظة واحدة أثناء الاستخدام في حدوث إصابات بالغة.
- ارتد تجهيزات وقاية شخصية وارتد دائما نظارة واقية. ارتداء تجهيزات وقاية شخصية، مثل قناع الوقاية من الغبار وأحذية الأمان المضادة للانزلاق وخوذة الوقاية أو واقي السمع، تبعا لنوع واستخدام الأداة الكهربائية، يقلل من خطر الإصابات.
- تجنب التشغيل بشكل غير مقصود. تأكد أن الأداة الكهربائية مطفاة قبل توصيلها بمصدر الإمداد بالتيار وقبل رفعها أو حملها. إذا كان إصبعك على المفتاح عند حمل الأداة الكهربائية أو كان الجهاز في وضع التشغيل عند التوصيل بالكهرباء، فقد يؤدي ذلك لوقوع حوادث.
- أبعد أدوات الضبط أو مفاتيح ربط البراغي قبل تشغيل الأداة الكهربائية. الأداة أو المفتاح المتواجد في جزء دوار من الجهاز يمكن أن يؤدي لحدوث إصابات.
- تجنب اتخاذ وضع غير طبيعي للجسم. احرص على أن تكون واقفا بأمان وحافظ على توازنك في جميع الأوقات. من خلال ذلك تستطيع السيطرة على الأداة الكهربائية بشكل أفضل في المواقف المفاجئة.
- ارتد ملابس مناسبة. لا ترتد ملابس فضفاضة أو حلي. احرص على أن يكون الشعر والملابس والقفازات بعيدة عن الأجزاء المتحركة. الملابس الفضفاضة أو الحلي أو الشعر الطويل يمكن أن تشبك في الأجزاء المتحركة.
- إذا أمكن تركيب تجهيزات شفت وتجميع الغبار، فتأكد أنها موصلة ومستخدمة بشكل سليم. استخدام تجهيزة شفت الغبار يمكن أن يقلل الأخطار الناتجة عن الغبار.

استخدام الأداة الكهربائية والتعامل معها

- لا تفرط في التعميل على الجهاز. استخدم الأداة الكهربائية المناسبة للعمل الذي تقوم به. استخدام الأداة الكهربائية المناسبة يتبع لك العمل بشكل أفضل وأكثر أمانا في نطاق العمل المقرر.
- لا تستخدم أداة كهربائية ذات مفتاح تالف. الأداة الكهربائية التي لم يعد يمكن تشغيلها أو إطفائها تمثل خطورة ويجب إصلاحها.
- اسحب القابس من المقبس قبل ضبط الجهاز أو استبدال أجزاء الملحقات التكميلية أو عند ترك الجهاز. هذا الإجراء الوقائي يمنع بدء تشغيل الأداة الكهربائية دون قصد.
- احتفظ بالأدوات الكهربائية غير المستخدمة بعيدا عن متناول الأطفال. لا تسمح باستخدام الجهاز من قبل أشخاص ليسوا على دراية به أو لم يقرأوا هذه التعليمات. الأدوات الكهربائية خطيرة في حالة استخدامها من قبل أشخاص ليست لديهم الخبرة الواجبة.
- احرص على العناية التامة بالأدوات الكهربائية. افحص الأجزاء المتحركة من حيث أدائها لوظيفتها بدون مشاكل وعدم انحصارها وافحصها من حيث وجود أجزاء مكسورة أو متعرضة للضرر يمكن أن تؤثر سلبا على وظيفة الأداة الكهربائية. اعمل على إصلاح الأجزاء التالفة قبل استخدام الجهاز. الكثير من الحوادث مصدرها الأدوات الكهربائية التي تم صيانتها بشكل رديء.
- حافظ على أدوات القطع حادة ونظيفة. تتميز أدوات القطع ذات حواف القطع المادة المعتنى بها بدقة بأنها أقل عرضة للتعثر وأسهل في التعامل.
- استخدم الأداة الكهربائية والملحقات التكميلية وأدوات العمل وخلافه طبقا لهذه التعليمات. احرص في هذه الأثناء على مراعاة اشتراطات العمل والمهمة المراد تنفيذها. استخدام الأدوات الكهربائية في تطبيقات غير تلك المقررة لها يمكن أن يؤدي لمواقف خطيرة.

الخدمة

- اعمل على إصلاح أدواتك الكهربائية على أيدي فنيين معتمدين فقط والاقصر على استخدام قطع الغيار الأصلية. وبذلك تتأكد أن سلامة الأداة الكهربائية تظل قائمة.

2.2 إرشادات السلامة الخاصة بالمطارق

- استخدم واقيا للسمع. لذا يرجى مراعاة أن الضجيج الصاخب يمكن أن يُفقد القدرة على السمع.
- استخدم المقابض الإضافية الموردة مع الجهاز. فقدان السيطرة يمكن أن يؤدي لوقوع إصابات.
- أمسك الجهاز من مواضع المسك المعزولة عند إجراء أعمال يحتمل فيها أن تتلامس أداة الشغل مع أسلاك كهربائية مخفية أو مع سلك الكهرباء للجهاز ذاته. حيث أن ملامسة سلك يسري فيه التيار الكهربائي يمكن أن ينقل الجهد الكهربائي للأجزاء المعدنية بالجهاز ويؤدي لحدوث صدمة كهربائية.



سلامة الأشخاص

- ◀ اقتصر على استخدام المنتج وهو في حالة سليمة من الناحية الفنية.
- ◀ لا تقم أبداً بأية تدخلات أو تغييرات على الجهاز.
- ◀ يجب مراعاة الوقوف بشكل ثابت وأمن عند النقر بالإزميل في الأسقف والجدران والأرضيات. الاختراق المفاجئ يمكن أن يتسبب في إخلال توازنك!
- ◀ أثناء أعمال الثقب قم بتأمين النطاق الواقع على الجهة المقابلة للعمل. الشظايا المتناثرة يمكن أن تتطاير وأو وتسقط وتصيب الآخرين.
- ◀ احرص أنت والأشخاص المتواجدين بالقرب منها أثناء الاستخدام على ارتداء نظارة واقية ملائمة، خوذة حماية، واق للسمع، قفاز واق وكمامة خفيفة للتنفس.
- ◀ ارتد قفازا واقيا أثناء تغيير الأدوات. ملامسة أداة الشغل قد تؤدي لوقوع إصابات بجروح قطعية وإصابة بحروق.
- ◀ استخدم واقيا للعينين. الشظايا المتطايرة يمكن أن تصيب الجسم والعينين.
- ◀ احرص قبل بدء العمل على معرفة فئة خطر الغبار الناشئ عند إجراء العمل. استخدم شفاط غبار أعمال الإنشاءات ذي فئة حماية مصرح بها رسميا ومطابق للتعليمات المحلية الخاصة بالحماية من الغبار. الغبار الناتج عن خامات مثل الطلاء المحتوي على الرصاص وبعض أنواع الأخشاب والخرسانة/الجدران والصخور المحتوية على الكوارتز والمعادن الصخرية والمعادن هو غبار ضار بالصحة.
- ◀ احرص على وجود تهبوية جيدة لمكان العمل وارتد عند اللزوم قناع تنفس مخصص لنوعية الغبار المنبعث. ملامسته أو استنشاقه قد يسبب أعراض حساسية و/أو أمراض الجهاز التنفسي للمستخدم أو للأشخاص المتواجدين على مقربة منه. هناك أنواع معينة مسرطنة من الغبار مثل غبار خشب البلوط أو غبار خشب الزان، ولا سيما إذا ارتبطت هذه الأنواع بمواد إضافية لمعالجة الأخشاب (مثل الكروم ومواد حماية الأخشاب). لا يجوز التعامل مع المواد المحتوية على الأسبستوس إلا من قبل فنيين متخصصين.
- ◀ خذ قسطا من الراحة أثناء العمل وقم بتمارين استرخاء لسريان الدم في الأصابع بشكل أفضل. عند القيام بأعمال لفترات طويلة فقد يحدث اضطرابات في الأوعية الدموية أو الجهاز العصبي بسبب كثرة الاهتزازات على الأصابع، الأيدي أو معصم اليد.

السلامة الكهربائية

- ◀ قبل بدء الأعمال افحص نطاق العمل من حيث وجود توصيلات كهرباء مغطاة أو مواسير للغاز والماء. الأجزاء المعدنية الفارجية بالجهاز يمكن أن تتسبب في صدمة كهربائية، إذا قمت دون قصد بإتلاف إحدى توصيلات التيار.

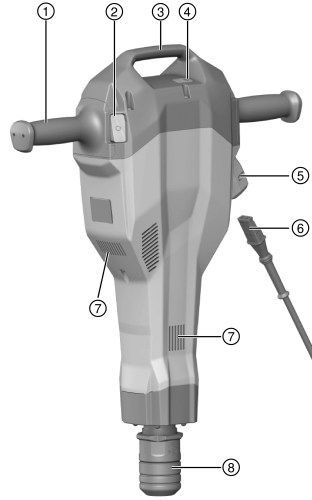
الاستخدام والتعامل بعناية مع الأدوات الكهربائية

- ◀ قبل التخزين انتظر إلى أن تتوقف الأداة الكهربائية تماما.



1.3 عرض عام للطراز TE 2000-AVR

- ① المقبض
- ② مفتاح التشغيل/الإيقاف
- ③ مقبض حمل
- ④ مبین الخدمة
- ⑤ قابس الكهرباء
- ⑥ كابل الكهرباء بقابس
- ⑦ فتحات التهوية
- ⑧ ظرف تركيب الأدوات



2.3 عرض عام للعربة الناقلة

- ① المقبض
- ② مشبك التثبيت
- ③ حامل أدوات الشغل (الأزاميل)
- ④ العجلات
- ⑤ وسيلة تأمين العجلة (قرص، تيلة خابور)
- ⑥ طرف تركيب الماكينة

3.3 الاستخدام المطابق للتعليمات

المنتج المشروع عبارة عن إزميل دفاق يستعمل يدويا. وهو مخصص للنقر في الخرسانة والجدران والأسفلت. ويمكن استخدامه أيضاً للدك والنقب. يجب ألا يتم التشغيل إلا بالتردد والجهد الكهربائي المذكورين على لوحة الصنع.

4.3 الاستخدام الخاطئ المتوقع

- لا يجوز تشغيل الجهاز إلا في بيئة جافة.
- لا تستخدم الجهاز في مكان مُعرض لخطر المريق والانفجار.
- يحظر التعامل مع المواد الخطيرة على الصحة (مثل الأسبستوس).

5.3 Active Vibration Reduction

المنتج مجهو بنظام Active Vibration Reduction (AVR) والذي يقوم بخفض الاهتزازات بشكل ملحوظ.

6.3 مبین الخدمة

الإزميل الدفاق مجهز بمبین خدمة به إشارة صوتية.



الحالة	الاستعمال
يضيء مبین الخدمة باللون الأحمر.	هذا يعني أنه حان موعد إجراء الخدمة. أحضر المنتج Hilti في الوقت المناسب، لكي يكون جهازك دائما جاهزا للعمل. وجود أضرار بالجهاز.
يومض مبین الخدمة باللون الأحمر.	الحماية من السفونة المفرطة الجهد الكهربائي بمصدر الإمداد بالجهد الكهربائي مرتفع للغاية.

7.3 مجموعة التجهيزات الموردة

الإزميل الدقاق، كابل كهرباء بقباس، دليل استعمال، شحم. تتوفر العربة الناقلة كملحق.
تجد المزيد من منتجات النظام المسموح بها لجهازك لدى مركز Hilti الذي تتعامل معه أو على موقع الإنترنت:
www.hilti.group

4 المواصفات الفنية

1.4 الإزميل الدقاق

يرجى التعرف على الجهد الاسمي والتيار الاسمي والتردد و/أو الاستهلاك الاسمي من لوحة صنع الجهاز الخاصة بالبلد المعني.

في حالة التشغيل من مولد أو محمول، فإنه يجب ألا تقل قدرة الخرج الخاصة به عن ضعف قدرة الدخل الاسمية الواردة على لوحة صنع الجهاز. جهد تشغيل المحمول أو المولد يجب أن يكون دائما في نطاق +5 % و 15- % من الجهد الكهربائي الاسمي للجهاز.

الوزن طبقا لبروتوكول EPTA 01	14.5 كجم
عدد الطرقات	30 هرتز
فئة الحماية	II

2.4 معلومات الضجيج وقيم الاهتزاز طبقا للمواصفة EN 60745

تم قياس قيم ضغط الصوت والاهتزاز الواردة في هذا الدليل طبقا لعملية قياس معيارية ويمكن الاستعانة بها في مقارنة الأدوات الكهربائية مع بعضها البعض. وهي تصلح أيضا لتقدير المخاطر بصورة مؤقتة. المواصفات الواردة تتعلق بالاستخدامات الأساسية للأداة الكهربائية. أما إذا تم استخدام الأداة الكهربائية في تطبيقات أخرى مع أدوات شغل مخالفة للمواصفات أو دون صيانة كافية، ففي هذه الحالة قد تختلف البيانات. وقد يزيد هذا من المخاطر خلال مدة العمل بالكامل بصورة واضحة. ولتقدير المخاطر تقديرا دقيقا ينبغي أيضا مراعاة الأوقات التي يتم فيها إيقاف الجهاز أو التي يكون فيها الجهاز مشغلا ولكن دون استخدام حقيقي. وقد يقلل هذا من المخاطر خلال مدة العمل بالكامل بصورة واضحة. احرص على مراعاة تدابير السلامة الإضافية لحماية المستخدم من تأثير الصوت و/أو الاهتزازات مثل: صيانة الأداة الكهربائية وأدوات العمل والحفاظ على الأيدي في حالة دافئة وتنظيم مراحل العمل.

قيم الضجيج المنبعث

قياس مستوى شدة الصوت (L_{WA})	97 ديسيبل (A)
ضمان مستوى شدة الصوت ($L_{WA(d)}$)	100 ديسيبل (A)
نسبة التفاوت لمستوى شدة الصوت (K_{WA})	3 ديسيبل (A)
مستوى ضغط الصوت المنبعث (L_p)	77 ديسيبل (A)
نسبة التفاوت لمستوى ضغط الصوت (K_{pA})	3 ديسيبل (A)

قيم الاهتزاز

النقر بالإزميل ($a_{h, Cheq}$)	4.8 م/ثانية ²
نسبة التفاوت (K)	1.5 م/ثانية ²



1.5 التحضير للعمل

⚠ احترس:

خطر الإصابة! تشغيل الجهاز بشكل غير مقصود.
 ◀ اسحب القابس الكهربائي، قبل إجراء عمليات ضبط الجهاز أو تغيير أجزاء الملحقات.

تراجع إرشادات الأمان والإرشادات التحذيرية الواردة في هذا المستند وعلى الجهاز.

1.1.5 قم بتوصيل كابل الكهرباء بالجهاز

i عند توصيل الوصلة المقبسية القابلة للفك بالجهاز يراعى أن تكون دائماً نظيفة وجافة وغير مشدودة. الاتصال مشفر.

1. أخرج كابل الكهرباء من كرتونة النقل.
2. قم بإدخال الوصلة المقبسية في الجهاز، حتى يستقر عنصر التثبيت بصوت مسموع.
3. أدخل القابس الكهربائي في المقبس.

2.1.5 تركيب أداة الشغل

1. اسحب القابس الكهربائي من المقبس.
2. قم بتزليق طرف إدخال أداة الشغل قليلاً.
3. ⚠ اقتصر على استخدام الشحم الأصلي من Hilti. قد يتسبب نوع الشحم غير الصحيح في الإضرار بالجهاز.
3. قم بتركيب أداة التقليل في ظرف تركيب الأدوات وأدره مع الضغط الخفيف عليه حتى يثبت في موضعه بصوت مسموع.
4. اختبر مدى إحكام القفل من خلال شد الأداة.

3.1.5 فك أداة الشغل

⚠ احترس:

خطر الإصابة! قد تكون أداة الشغل ساخنة و/أو حادة الحواف.
 ◀ ارتد قفازات واقية عند تغيير أداة الشغل.
 ◀ لا تقم أبداً بوضع أداة الشغل الساخنة على أرضيات قابلة للاشتعال.

1. اسحب القابس الكهربائي من المقبس.
2. قم بإرجاع وسيلة تأمين الأداة حتى النهاية.
3. قم بفك أداة الشغل.

2.5 العمل

⚠ تحذير

خطر الصعق الكهربائي! عدم وجود وصلات التأريض ومفاتيح الحماية من تسرب التيار يمكن أن يؤدي إلى وقوع إصابات وحروق بالغة.
 ◀ تأكد دائماً أن وصلات التأريض ومفاتيح الحماية من تسرب التيار موجودة وموصلة بوصلة الإمداد بالتيار الكهربائي بموقع العمل، سواء كانت من شبكة الكهرباء أو من مولد كهربائي.
 ◀ لا تقم بتشغيل الجهاز دون مراعاة تدابير السلامة هذه.

⚠ تحذير

خطر بسبب الكابلات التالفة! في حالة تلف كابل الكهرباء أو كابل الإطالة أثناء العمل، فإنه لا يجوز لمس الكابل. اسحب القابس الكهربائي من المقبس.
 ◀ افحص أسلاك توصيل الجهاز بشكل منتظم وعند تلفها اعمل على تغييرها بمعرفة فني معتمد.

يتعين الحصول على تصريح من إدارة المنشأة بإجراء الأعمال كاملة.



1.2.5 النقر بالإزميل

1. أدخل القابس الكهربائي في المقبس.
2. قم بتركيب الإزميل في الوضع المرغوب.
3. اضغط على مفتاح التشغيل/الإيقاف.

إجراء أعمال في درجات الحرارة المنخفضة:

يحتاج الجهاز للوصول إلى حد أدنى من درجة حرارة التشغيل حتى يعمل الطارق. للوصول إلى الحد الأدنى، ضع الجهاز على الأرضية لفترة قصيرة واجعله يعمل على الوضع المايد. عند اللزوم، كرر هذه العملية إلى أن يعمل الطارق.

2.2.5 الإيقاف

1. اضغط على مفتاح التشغيل/الإيقاف.
2. اسحب القابس الكهربائي من المقبس.

3.2.5 إرشادات العمل

يمكن ضبط الإزميل على 6 أوضاع مختلفة (في خطوات مقدار كل منها 60 درجة). وبذلك يمكن دائما العمل بالإزميل المفلطح وإزميل التشكيل في وضع العمل المثالي المناسب.

- ◀ ضع الإزميل على مسافة حوالي 80-100 مم (3¼-4 بوصة) من الحافة.
- ◀ في حالة أطراف قضبان حديد التسليح قم دائما بتوجيه الإزميل جهة حافة الحافة وليس جهة قضيب حديد التسليح.
- ◀ ابدأ عملية النقر بالإزميل بزواية من 70° إلى 80° بالنسبة لسطح الفرسانة و قم بتوجيه سن الإزميل جهة الحافة. ثم حرك الزاوية في اتجاه 90° و قم بتكبير الحافة.
- ◀ أدر الإزميل بصورة منتظمة، نظرا لأن التآكل المتساوي يساعد في عملية الشحذ الذاتي.
- ◀ الضغط الضئيل للغاية يؤدي إلى حدوث قفزات للإزميل. الضغط الزائد للغاية يؤدي إلى تقليل قدرة الإزميل.

6 العربة الناقلة كتجيبز اختياري

1.6 النقل

- تضمن العربة الناقلة نقل الإزميل الدقاق بدون مخاطر.
- اعمل على توفير وضع مستقر للعربة الناقلة.
- ضع الجهاز على طرف تركيب الماكينة المخصص لذلك، واحرص دائما على تأمين الجهاز أثناء نقله بواسطة مشبك التثبيت.
- أدخل الإزميل في الحامل المخصص له حتى يثبت.
- تحقق من أمان طرق النقل.
- احرص ألا تتوقف العربة الناقلة على أسطح مائلة.

7 العناية والصيانة

تحذير

- خطر بسبب حدوث صدمة كهربائية إجراء أعمال العناية والصيانة بينما القابس الكهربائي مركب قد يتسبب في إصابات بالغة والإصابة بحروق.
- احرص على سحب القابس الكهربائي قبل جميع أعمال الإصلاح والعناية!

العناية

- قم بإزالة الاتساخ الملتصق بحرص.
- قم بتنظيف فتحات التهوية بحرص باستخدام فرشاة جافة.
- نظف جسم الجهاز باستخدام قطعة قماش مبللة بعض الشيء. لا تستخدم مواد عناية تحتوي على السيليكون لما قد تسبب فيه من الإضرار بالأجزاء البلاستيكية.



خطر الصعق الكهربائي! قد تؤدي أعمال الصيانة التي تتم على الأجزاء الكهربائية بشكل غير سليم إلى حدوث إصابات خطيرة وإصابة بصروق.

◀ لا يجوز إجراء إصلاحات على الأجزاء الكهربائية إلا من خلال متخصصين في الكهرباء.

- افحص جميع الأجزاء المرئية من حيث وجود أضرار وافحص عناصر الاستعمال من حيث كفاءتها الوظيفية.
- في حالة وجود أضرار و/أو اختلالات وظيفية لا تقم بتشغيل المنتج. احرص على الفور على إصلاحه لدى مركز خدمة Hilti.
- بعد أعمال العناية والإصلاح قم بتركيب جميع تجهيزات الحماية وافحصها من حيث الأداء الوظيفي.

للشغيل الآمن اقتصر على استخدام قطع الغيار الأصلية وخامات الشغل. تجد قطع الغيار وخامات الشغل والملحقات المصرح بها من قبلنا للمنتج الخاص بك في متجر **Hilti Store** أو على موقع الإنترنت: www.hilti.group

8 المساعدة في حالات الاختلالات

عند حدوث اختلالات غير مذكورة في الجدول أو يتعذر عليك معالجتها بنفسك، فيرجى التوجه إلى مركز خدمة Hilti.

1.8 جدول الاختلالات

الخلل	السبب المحتمل	الحل
الجهاز لا يعمل	جاري تهيئة الوحدة الإلكترونية (لمدة تصل إلى 4 ثوان تقريباً بدءاً من إدخال القابس)	◀ أطفئ الجهاز ثم قم بتشغيله مرة أخرى.
	انقطاع الإمداد بالتيار الكهربائي	◀ أوصل جهازاً كهربائياً آخر واختبر الوظيفة.
	تلف في كابل الكهرباء أو القابس	◀ افحصه على يد متخصص في الكهرباء وقم بتغييره إذا لزم الأمر.
	المولد مزود بخاصية السبات	◀ قم بتشغيل جهاز كهربائي آخر (مثل مصباح إضاءة موقع البناء) من المولد الكهربائي. بعد ذلك قم بتشغيل الجهاز وإيقافه مرة أخرى.
لا يتولد طرق	الجهاز بارد للغاية	◀ اعمل على توفير أدنى درجة حرارة تشغيل.
	وجود أضرار بالجهاز	◀ قم بإصلاح الجهاز لدى مركز خدمة Hilti.
الجهاز لا يعمل أو يتوقف أثناء التشغيل والمبين يومض باللون الأحمر	خطأ مؤقت (مثلاً من جراء السخونة المفرطة أو الجهد الزائد)	◀ أوقف الجهاز ودعه يبرد، أو قم بتوصيل الجهاز بمصدر آخر للإمداد بالجهود الكهربائي.
الجهاز يعمل، ولكن المبين يضيء باللون الأحمر بشكل مستمر	التحذير الأولي للخدمة	◀ قم بتكليف خدمة Hilti بإجراء الخدمة أو الإصلاح.
الجهاز لا يعمل أو يتوقف أثناء التشغيل	كابل الإطالة طويل للغاية أو ذو مقطع عرضي ضئيل للغاية	◀ استخدم كابل إطالة ذا طول مسموح به وذا مقطع عرضي كافٍ.
	لم يتم إدخال الكابل الكهربائي القابل للإدخال في الجهاز بشكل صحيح.	◀ قم بتوصيل كابل الكهرباء القابل للإدخال بالجهاز الكهربائي بشكل صحيح.



أجهزة Hilti مصنوعة بنسبة كبيرة من مواد قابلة لإعادة التدوير. يشترط لإعادة التدوير أن يتم فصل الغامات بشكل سليم فنياً. في العديد من الدول تقوم شركة Hilti باستغلال الأجهزة القديمة لإعادة تدويرها. وللمعلومات حول ذلك اتصل بخدمة عملاء Hilti أو الموزع القريب منك.

لا تعلق الأدوات الكهربائية، الأجهزة الإلكترونية والبطاريات ضمن القمامة المنزلية!



10 مواصفة RoHS (مواصفة تقييد استخدام المواد الخطيرة)

تجد جدولاً بالمواد الخطرة تمت الرابط التالي: qr.hilti.com/r6025050.
تجد رابط خاص بجدول المواد التي تخص المواصفة RoHS في نهاية هذا المستند على هيئة كود QR.

11 ضمان الجبة الصانعة

في حالة وجود أية استفسارات بخصوص شروط الضمان، يرجى التوجه إلى وكيل Hilti المحلي الذي تتعامل معه.



1 文書について

1.1 本書について

- ご使用前に本書をすべてお読みください。このことは、安全な作業と問題のない取扱いのための前提条件となります。
- 本書および製品に記載されている安全上の注意と警告表示に注意してください。
- 取扱説明書は常に製品とともに保管し、他の人が使用する場合には、製品と取扱説明書を一緒にお渡しください。

1.2 記号の説明

1.2.1 警告表示

警告表示は製品の取扱いにおける危険について警告するものです。以下の注意喚起語が使用されています：



危険

危険！

▶ この表記は、重傷あるいは死亡事故につながる危険性がある場合に注意を促すために使われます。



警告

警告！

▶ この表記は、重傷あるいは死亡事故につながる可能性がある場合に注意を促すために使われます。



注意

注意！

▶ この表記は、軽傷あるいは物財の損傷が発生する可能性がある場合に使われます。

1.2.2 本書の記号

本書では、以下の記号が使用されています：

	使用前に取扱説明書をお読みください
	本製品を効率良く取り扱うための注意事項や役に立つ情報
	リサイクル可能な部品の取扱い
	工具およびバッテリーを一般ゴミとして廃棄してはなりません

1.2.3 図中の記号

図中では以下の記号が使用されています：

	この数字は本取扱説明書冒頭にある該当図を示しています
	付番は図中の作業手順の順序に対応していて、本文の作業手順とは一致しない場合があります
	概要図には項目番号が付されていて、製品概要セクションの凡例の番号に対応しています
	この記号は、製品の取扱いの際に特に注意が必要なことを示しています。

1.3 製品により異なる記号

1.3.1 製品に表示されている記号

製品には以下の記号が使用されています：

	電気絶縁保護クラス II (二重絶縁)
	サービスインジケータ



1.4 製品情報

HILTI 製品はプロ仕様で製作されており、その使用、保守、修理を行うのは、認定を受けトレーニングされた人のみに限ります。これらの人は、遭遇し得る危険に関する情報を入手していなければなりません。製品およびアクセサリーの使用法を知らない者による誤使用、あるいは規定外の使用は危険です。機種名および製造番号は銘板に表示されています。

- ▶ 製造番号を以下の表に書き写しておいてください。ヒルティ代理店やサービスセンターへお問い合わせの際には、製品データが必要になります。

製品データ

電動ハツリ機	TE 2000-AVR
製品世代	01
製造番号：	

1.5 適合宣言

当社は、単独の責任において本書で説明している製品が有効な基準と標準規格に適合していることを宣言します。適合宣言書の複写は本書の末尾にあります。

技術資料は本書の後続の頁に記載されています：

Hilti Entwicklungsgesellschaft mbH | Zulassung Geräte | Hiltistraße 6 | 86916 Kaufering, DE

2 安全

2.1 電動工具の一般安全注意事項

⚠ 警告事項 安全上の注意および指示事項をすべてお読みください。これらを守らないと、感電、火災および / または重傷事故の危険があります。

安全上の注意および指示事項が書かれた説明書はすべて大切に保管してください。

作業環境に関する安全

- ▶ 作業場はきれいに保ち、十分に明るくしてください。ちらかった暗い場所での作業は事故を起こす恐れがあります。
- ▶ 爆発の危険性のある環境（可燃性液体、ガスおよび粉じんのある場所）では電動工具を使用しないでください。電動工具から火花が飛散し、粉じんや揮発性ガスに引火する恐れがあります。
- ▶ 電動工具の使用で、子供や無関係者を作業場へ近づけないでください。作業中に気がそらされると、本体のコントロールを失ってしまう恐れがあります。

電気に関する安全注意事項

- ▶ 電動工具の接続プラグは電源コンセントにきちんと適合しなければなりません。プラグは絶対に変更しないでください。アースした電動工具と一緒にアダプタープラグを使用しないでください。オリジナルのプラグと適切なコンセントを使用することにより、感電の危険を小さくすることができます。
- ▶ パイプ、ラジエーター、電子レンジ、冷蔵庫などのアースされた面に体の一部が触れないようにしてください。体が触れると感電の危険が大きくなります。
- ▶ 電動工具を雨や湿気から保護してください。電動工具に水が浸入すると、感電の危険が大きくなります。
- ▶ 電動工具を持ち運んだり、吊り下げたり、コンセントからプラグを抜いたりするときは、必ず本体を持ち、電源コードを持って引く張ったりしないでください。電源コードを火気、オイル、鋭利な刃物、本体の可動部等に触れる場所に置かないでください。コードが損傷したり絡まったりしていると、感電の危険が大きくなります。
- ▶ 屋外工事の場合には、屋外専用の延長コードのみを使用してください。屋外専用の延長コードを使用すると、感電の危険が小さくなります。
- ▶ 湿った場所で電動工具を動作させる必要がある場合は、漏電遮断器を使用してください。漏電遮断器を使用すると、感電の危険が小さくなります。

作業者に関する安全

- ▶ 電動工具を使用の際には、油断せず十分注意し、常識を持った作業をおこなってください。疲れている場合、薬物、医薬品服用およびアルコール飲用による影響下にある場合には電動工具を使用しないでください。電動工具使用中の一瞬の不注意が重傷の原因となることがあります。
- ▶ 個人用保護具および保護メガネを常に着用してください。けがに備え、電動工具の使用状況に応じた粉じんマスク、耐滑性の安全靴、ヘルメット、耳栓などの個人用保護具を着用してください。
- ▶ 電動工具の不意な始動は避けてください。電動工具を電源に接続する前や持ち上げたり運んだりする前に、電動工具がオフになっていることを確認してください。電動工具のスイッチに指を掛けたまま運んだり、スイッチオンになっている本体を電源に接続すると、事故の原因となる恐れがあります。



- ▶ 電動工具のスイッチを入れる前に、必ず調節キーやレンチを取り外してください。調節キーやレンチが本体の回転部に装着されたままでは、けがの原因となる恐れがあります。
- ▶ 作業中は不安定な姿勢をとらないでください。足元を安定させ、常にバランスを保つようにしてください。これにより、万一電動工具が異常状況に陥った場合にも、適切な対応が可能となります。
- ▶ 作業に適した作業着を着用してください。だぶだぶの衣服や装身具を着用しないでください。髪、衣服、手袋を本体の可動部に近づけないでください。だぶだぶの衣服、装身具、長い髪が可動部に巻き込まれる恐れがあります。
- ▶ 吸じんシステムの接続が可能な場合には、これらのシステムが適切に接続、使用されていることを確認してください。吸じんシステムを利用することにより、粉じん公害を防げます。

電動工具の使用および取扱い

- ▶ 無理のある使用を避けてください。作業用途に適した電動工具を使用してください。適切な電動工具の使用により、効率よく、スムーズかつ安全な作業が行えます。
- ▶ スイッチに支障がある場合には、電動工具を使用しないでください。スイッチで始動および停止操作のできない電動工具は危険ですので、修理が必要です。
- ▶ 本体の設定やアクセサリーの交換を行う前や本体を保管する前には電源プラグをコンセントから抜いてください。この安全処置により、電動工具の不意の始動を防止することができます。
- ▶ 電動工具をご使用にならない場合には、子供の手の届かない場所に保管してください。電動工具に関する知識のない方、本説明書をお読みでない方による本体のご使用は避けてください。未経験者による電動工具の使用は危険です。
- ▶ 電動工具は慎重に手入れしてください。可動部分が引っ掛かりなく正常に作動しているか、電動工具の運転に影響を及ぼす各部分が破損・損傷していないかを確認してください。電動工具を再度ご使用になる前に、損傷部分の修理を依頼してください。発生事故の多くは保守管理の不十分な電動工具の使用が原因となっています。
- ▶ 先端工具は鋭利で汚れない状態を保ってください。お手入れのゆきとどいた先端工具を使用すると、作業が簡単かつ、スムーズになります。
- ▶ 電動工具、アクセサリー、先端工具などは、それらの説明書に記載されている指示に従って使用してください。その際、作業環境および用途に関してもよくご注意ください。指定された用途以外に電動工具を使用すると危険な状況をまねく恐れがあります。

サービス

- ▶ 電動工具の修理は必ず認定サービスセンターにお申し付けください。また、必ず純正部品を使用してください。これにより電動工具の安全性が確実に維持されます。

2.2 ハンマーに関する安全上の注意

- ▶ 耳栓を着用してください。騒音により、聴覚に悪影響が出る恐れがあります。
- ▶ 本体には一緒に納品された補助ハンドルを使用してください。これ以外のハンドルを使用すると、コントロールを失ってけがをする恐れがあります。
- ▶ 隠れた電線や装置自体の電源コードに先端工具が接触する可能性のある作業を行う場合は、必ず本体の絶縁されたグリップを持ってください。通電しているケーブルと接触すると、本体の金属部分にも電圧がかかり、感電の危険があります。

2.3 電動ハツリ機のその他の安全上の注意

作業者に関する安全

- ▶ 本製品は、必ず技術的に問題のない状態で使用してください。
- ▶ 本体は決して加工や改造を加えないでください。
- ▶ 天井、壁および床のハツリ作業の際には、足元がしっかりと安定していることを確認してください。足場が突然に壊れると、バランスを失う危険があります！
- ▶ 剥がし作業の場合には、作業側と反対の領域を保護してください。剥がれた部分が脱落、落下して他人を負傷させる危険があります。
- ▶ 使用中は、作業者および現場で直近に居合わせる人々は、適切な保護メガネ、保護ヘルメット、耳栓、保護手袋、および防じんマスクを着用しなければなりません。
- ▶ 保護手袋は先端工具の交換時にも着用してください。先端工具に触れると、切創事故や火傷の原因となることがあります。
- ▶ アイシールドを着用してください。破片が身体の一部、眼などを傷つけることもあります。
- ▶ 作業開始前に、作業場で発生する粉じんの危険有害度を調査してください。公的に承認された保護等級および地域の粉じんに関する規定を満たした工業用集じん機を使用してください。含鉛塗料、特定の種類の木材、コンクリート / 石材、石英を含む岩石、鉱物および金属などの母材から生じた粉じんは、健康を害する恐れがあります。



- ▶ 作業場の良好な換気に注意し、必要に応じてそれぞれの粉じんに適した防じんマスクを着用してください。作業や近くにいる人が粉じんに触れたり吸い込んだりすると、アレルギー反応や呼吸器疾患を起す可能性があります。カシヤブナ材などの特定の粉じんは、特に木材処理用の添加剤（クロム塩酸、木材保護剤）が使用されている場合、発ガン性があるとされています。アスベストが含まれる母材は、必ず専門家が取り扱うようにしてください。
- ▶ 休憩を取って、指を動かして血行を良くするように心がけてください。長時間作業の際には、振動により指、手あるいは手首の関節の血管あるいは神経系に障害が発生する可能性があります。

電気に関する安全注意事項

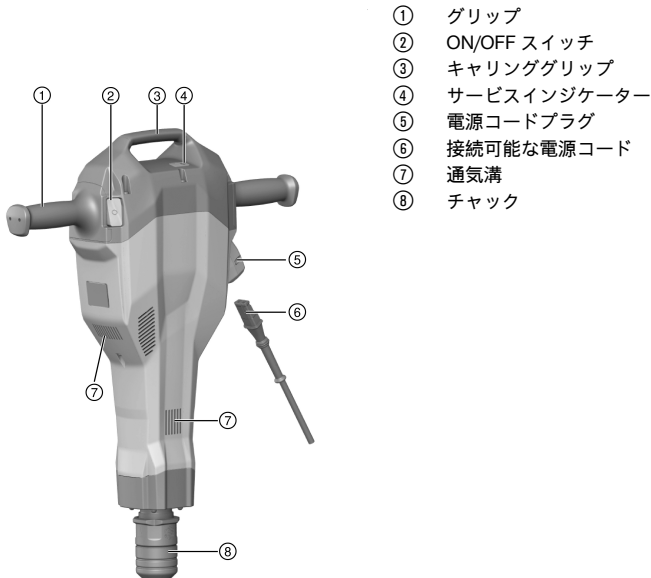
- ▶ 作業を開始する前に、作業領域に埋設された電線、ガス管や水道管がないかを調査してください。誤って電線を損傷すると、本体外側の金属部分により感電事故が発生する可能性があります。

電動工具の慎重な取扱いおよび使用

- ▶ 電動工具は停止するまで置かないでください。

3 製品の説明

3.1 TE 2000-AVR の概要 1



- ① グリップ
- ② ON/OFF スイッチ
- ③ キャリンググリップ
- ④ サービスインジケータ
- ⑤ 電源コードプラグ
- ⑥ 接続可能な電源コード
- ⑦ 通気溝
- ⑧ チャック

3.2 搬送ワゴン概要 2

- | | |
|-----------------|---------------------|
| ① グリップ | ④ 車輪 |
| ② 固定フレーム | ⑤ 車輪ロック機構（ディスク、割ピン） |
| ③ 消耗品（チゼル）用ホルダー | ⑥ 工具位置決めピン |

3.3 正しい使用

本書で説明している製品は、手持ち式の電動ハツリ機です。本製品は、コンクリート、石材およびアスファルトへのハツリ作業用の工具です。締固め（タンピング）および溝掘りにも使用できます。

必ず、銘板に表示されている電源電圧および電源周波数で動作させてください。



3.4 予想されるエラー

- 本体は乾燥環境でのみ使用してください。
- 火災や爆発の恐れがあるような状況では、本体を使用しないでください。
- 健康を損なう危険のある物質（アスベストなど）に使用してはなりません。

3.5 Active Vibration Reduction

本製品は、振動を大幅に低減させるActive Vibration Reduction (AVR) システムを装備しています。

3.6 サービスインジケータ

この電動ハツリ機は、サービスインジケータを装備しています。

状態	意味
サービスインジケータが赤色で点灯する。	作動時間がサービス期限に達している。常に使用可能な状態とするために、遅滞なくHilti サービスセンターに本製品のサービス作業を依頼してください。本体の損傷。
サービスインジケータが赤色で点滅する。	過熱保護機構 供給電源の電圧が高すぎる。

3.7 本体標準セット構成

電動ハツリ機、接続可能な電源コード、取扱説明書、グリス。搬送ワゴンはアクセサリとして提供されています。

その他の本製品用に許可されたシステム製品については、弊社営業担当またはHilti センターにお問い合わせいただくか、あるいはwww.hilti.group でご確認ください。

4 製品仕様

4.1 電動ハツリ機

定格電圧、定格電流、周波数および / または定格電力については、国別の銘板でご確認ください。

発電機または変圧器を使用しての作業の場合は、それらは本体の銘板に記載されている定格電力より2倍以上大きな出力がなければなりません。変圧器または発電機の作動電圧は、常に本体の定格電圧の +5 %...-15 % の範囲になければなりません。

	TE 2000-AVR
重量 (EPTA プロシージャ 01 準拠)	14.5 kg
全負荷打撃数	30 Hz
保護等級	II

4.2 騒音および振動値について (EN 60745 準拠)

本説明書に記載されているサウンドプレッシャー値および振動値は、規格に準拠した測定方法に基づいて測定したものです。電動工具を比較するのにご使用いただけます。曝露値の暫定的な予測にも適しています。記載されているデータは、電動工具の主要な使用方法に対する値です。電動工具を他の用途で使用したり、異なる先端工具を取り付けて使用したり、手入れや保守が十分でないまま使用した場合には、データが異なることがあります。このような相違により、作業時間全体で曝露値が著しく高くなる可能性があります。曝露値を正確に予測するためには、本体のスイッチをオフにしている時間や、本体が作動していても実際には使用していない時間も考慮しなければなりません。このような相違により、作業時間全体で曝露値が著しく低くなる可能性があります。作業者を騒音および / または振動による影響から保護するために、他にも安全対策を立ててください (例：電動工具およびの先端工具の手入れや保守、手を冷やさないようにする、作業手順の計画を立てる)。

騒音排出値

測定サウンドパワーレベル (L_{WA})	97 dB(A)
保証サウンドパワーレベル (L_{WAd})	100 dB(A)



サウンドパワーレベルの不確実性 (K_{WA})	3 dB(A)
排出サウンドプレッシャーレベル (L_{pA})	77 dB(A)
サウンドプレッシャーレベルの不確実性 (K_{pA})	3 dB(A)

振動値

ハツリ作業 ($a_{h, Cheq}$)	4.8 m/s ²
不確実性 (K)	1.5 m/s ²

5 ご使用方法

5.1 作業準備

注意

負傷の危険！ 製品は意図せず作動することがあります。

- ▶ 本体の設定やアクセサリーの交換を行う前に電源プラグを抜いてください。

本書および製品に記載されている安全上の注意と警告表示に注意してください。

5.1.1 電源コードを本体に接続する



脱着式プラグ接続は、必ず汚れがなく乾燥していて、通電のない状態で本製品に接続してください。接続はコーティングされています。

1. 電源コードを輸送用梱包から取り出します。
2. プラグ接続を、ロックする音が聞こえるまで本体内へとガイドします。
3. 電源プラグをコンセントに差し込みます。

5.1.2 先端工具を装着する

1. 電源プラグをコンセントから抜きます。
2. 先端工具のコネクションエンドにグリスを軽く塗布します。
 - ▶ 必ずHILTIの純正グリスを使用してください。不適切なグリスを使用すると本体損傷の原因となることがあります。
3. 先端工具をチャックに挿入し、軽く押し付けながらカチッとかみ合う音がするまで回します。
4. 先端工具を引っ張り、しっかりと固定されているか確認します。

5.1.3 先端工具を取り外す

注意

負傷の危険！ 先端工具は熱くなっていること、および / またはエッジが鋭くなっていることがあります。

- ▶ 先端工具を交換する際には保護手袋を着用してください。
- ▶ 熱くなっている先端工具は可燃物の上に置かないでください。

1. 電源プラグをコンセントから抜きます。
2. チャックロックスリーブをストップ位置まで戻します。
3. 先端工具を取り外します。

5.2 作業

警告

感電による危険！ アース線および漏電遮断器がないと、重傷事故および火傷の危険があります。

- ▶ 工事現場の電気供給配線には、電源からのものであるか発電機からのものであるかを問わず、必ずアース線と漏電遮断器が備わっていて、それらが接続されていることを確認してください。
- ▶ これらの安全対策を施さずに製品を 작동させないでください。



 **警告**

損傷したコードによる危険！ 作業中に電源コードまたは延長コードを損傷した場合は、コードに触れないでください。不意に始動しないように電源プラグをコンセントから抜きます。

- ▶ 本体の電源コードを定期的に点検し、コードに損傷がある場合は認定を受けた修理スペシャリストに交換させてください。

作業の全般について現場監督者の許可を得てください！

5.2.1 ハツリ作業

1. 電源プラグをコンセントに差し込みます。
2. チゼルを希望の位置にします。
3. ON/OFF スイッチを押します。



低温での作業：

打撃機構を作動させるためには、本体温度が最低運転温度に達している必要があります。この温度まで上げるには、本体を短時間母材に当てて本体をアイドル回転させます。必要であれば、打撃機構が始動するまでこの動作を繰り返します。

5.2.2 スイッチオフ

1. ON/OFF スイッチを押します。
2. 電源プラグをコンセントから抜きます。

5.2.3 作業に関する注意事項



チゼルは6つの異なる位置に（60°ステップで）調整することができます。これによってコールドチゼルでもスケーリングチゼルでも、最適の角度で作業できます。

- ▶ チゼルの端部から約 80...100 mm (3 $\frac{1}{8}$ "...4") の位置に当てます。
- ▶ 鉄筋での作業の際は常にチゼルを母材の端に向かって移動させ、鉄筋の方向へは向けないでください。
- ▶ ハツリ作業を開始する場合は、本体をコンクリート表面から 70°...80° の角度に傾け、チゼル先端を母材の端に向けます。角度を 90° にして、母材を除去します。
- ▶ 摩耗部分を均一にして自己研磨を促すため、チゼルを定期的に回します。
- ▶ 押し付けが小さすぎると、チゼルが跳ね返ります。押し付けが大きすぎると、ハツリ能力が低下します。

6 搬送ワゴン (オプション)

6.1 搬送

搬送ワゴンにより、電動ハツリ機を確実に危険なく搬送することができます。

- 搬送ワゴンは安定した場所に置くよう、十分注意してください。
- 本体は工具位置決めピンに立てて、搬送中は必ず本体を固定フレームで固定してください。
- チゼルは専用のホルダーにロックするまで差し込んでください。
- 搬送経路の安全に注意してください。
- 搬送ワゴンは傾斜面に置かないでください。

7 手入れと保守

 **警告**

感電による危険！ 電源プラグをコンセントに接続した状態で手入れや保守を行うと、重傷事故および火傷の危険があります。

- ▶ 手入れや保守作業の前に、必ず電源プラグをコンセントから抜いてください。

手入れ

- 強固に付着した汚れは慎重に除去してください。
- 通気溝を乾いたブラシで入念に清掃してください。
- ハウジングは必ず軽く湿らせた布で清掃してください。シリコンを含んだ清掃用具はプラスチック部品をいためる可能性があるので使用しないでください。



保守

警告

感電による危険！ 電気部品の誤った修理は、重傷事故および火傷の原因となることがあります。

▶ 電気部品の修理を行うことができるのは、訓練された修理スペシャリストだけです。

- 目視確認可能なすべての部品について損傷の有無を、操作エレメントについては問題なく機能することを定期的に点検してください。
- 損傷および/または機能に問題のある場合は、本製品を使用しないでください。直ちにHilti サービスセンターに修理を依頼してください。
- 手入れおよび保守作業の後は、すべての安全機構を取り付けて機能を点検してください。

i

安全な作動のために、必ず純正のスペアパーツと消耗品を使用してください。本製品向けに弊社が承認したスペアパーツ、消耗品およびアクセサリは、弊社営業担当またはHilti Store お問い合わせいただくか、あるいはwww.hilti.group。

8 故障時のヒント

この表に記載されていない、あるいはご自身で解消することのできない故障が発生した場合には、弊社営業担当またはHilti サービスセンターにご連絡ください。

8.1 不具合リスト

故障	考えられる原因	解決策
本体が始動しない	電子回路の初期化を実行中（プラグ接続後約4秒まで）	▶ 本体をオフにして再びオンにする。
	主電源が供給されていない	▶ 別の電動工具をつなぎ、作動するか確認する。
	電源コードあるいはプラグの故障	▶ 修理スペシャリストに点検を依頼し、必要場合には交換する。
	発電機がスリープモード	▶ 発電機に別の電気負荷（ランプ等）をかける。続いて本体をオンにし、再びオフにする。
打撃がない	本体温度が低すぎる	▶ 本体を最低運転温度まで暖める。
	本体に損傷がある	▶ Hilti サービスセンターに本体の修理を依頼する。
本体が始動しない、あるいは操作中に本体の電源がオフになりインジケータが赤色で点滅する	一時的な症状（過熱あるいは過電圧など）	▶ スイッチをオフにして、本体を冷却させる、あるいは本体を他の供給電源に接続する。
本体は作動するが、インジケータが赤色で点灯し続ける	サービス警告	▶ Hilti サービスセンターにサービスまたは修理を依頼する。
本体が始動しない、あるいは操作中に本体の電源がオフになる	延長コードが長すぎる、あるいは導体断面積が小さすぎる	▶ 許容された長さとは十分な導体断面積を持つ延長コードを使用する。
	接続可能な電源コードが正しく接続されていない	▶ 接続可能な電源コードを電動工具に正しく接続する。

9 廃棄

Hilti 製品の大部分の部品はリサイクル可能です。リサイクル前にそれぞれの部品は分別して回収されなければなりません。多くの国でHiltiは、古い電動工具をリサイクルのために回収しています。詳細については弊社営業担当またはHilti 代理店・販売店にお尋ねください。



- ▶ 電動工具、電子機器およびバッテリーを一般ゴミとして廃棄してはなりません！



10 RoHS (有害物質使用制限に関するガイドライン)

下記のリンクより、有害物質を記載した表を確認できます：qr.hilti.com/r6025050。
本書の最終ページに RoHS 表にリンクした QR コードがあります。

11 メーカー保証

- ▶ 保証条件に関するご質問は、最寄りの **Hilti** 代理店・販売店までお問い合わせください。



1 문서 관련 기재사항

1.1 본 문서에 대해

- 처음 사용하기 전에 본 문서 전체를 읽으십시오. 안전하게 작업하고 문제 없이 취급하기 위한 전제가 됩니다.
- 본 문서 및 제품에 나와 있는 안전 지침 및 경고 지침에 유의하십시오.
- 항상 제품에 있는 사용 설명서를 잘 보관하고 제품은 반드시 본 지침과 함께 다른 사람에게 전달하십시오.

1.2 기호 설명

1.2.1 경고사항

본 제품을 다루면서 발생할 수 있는 위험에 대한 경고사항. 다음과 같은 시그널 워드가 사용됩니다.



위험

위험!

- ▶ 이 기호는 직접적인 위험을 표시합니다. 만약 지키지 않으면 심각한 부상을 당하거나 사망할 수도 있습니다.



경고

경고!

- ▶ 이 기호는 잠재적인 위험을 표시합니다. 만약 지키지 않으면 심각한 부상을 당하거나 사망할 수도 있습니다.



주의

주의!

- ▶ 이 기호는 특별히 중요한 안전상의 주의사항을 표시합니다. 만약 지키지 않으면, 심각한 부상 또는 물적 손실을 입을 수 있습니다.

1.2.2 문서에 사용된 기호

본 문서에서 사용되는 기호는 다음과 같습니다.

	사용하기 전에 사용설명서를 읽으십시오.
	적용 지침 및 기타 유용한 사용정보
	재사용이 가능한 자재 취급방법
	전기 기기 및 배터리를 일반 가정의 쓰레기처럼 폐기해서는 안 됨

1.2.3 그림에 사용된 기호

다음과 같은 기호가 그림에 사용됩니다.

	이 숫자는 본 설명서의 첫 부분에 있는 해당 그림을 나타냅니다.
	매겨진 숫자는 작업 단계의 순서를 나타내며, 텍스트에 매겨진 작업 단계와 차이가 있을 수 있습니다.
	항목 번호는 개요 그림에서 사용되며, 제품 개요 단락에 나와 있는 기호 설명 번호를 나타냅니다.
	이 표시는 제품을 다룰 때, 특별히 주의할 사항을 나타냅니다.

1.3 제품 관련 기호

1.3.1 제품에 사용된 기호

제품에 사용된 기호는 다음과 같습니다.

	보호 등급 II (이중 절연)
--	------------------





1.4 제품 정보

제품은 전문가용으로 설계되어 있으며, 해당 교육을 이수한 공인된 작업자를 통해서만 조작, 유지 보수 및 수리 작업을 진행할 수 있습니다. 이 기술자는 발생할 수 있는 위험에 대해 특별 교육을 받은 상태여야 합니다. 교육을 받지 않은 사람이 제품을 부적절하게 취급하거나 규정에 맞지 않게 사용할 경우에는 기기와 그 보조기구에 의해 부상을 당할 위험이 있습니다.

형식 명칭 및 일련 번호는 형식 라벨에 제시되어 있습니다.

- ▶ 일련 번호를 다음의 표에 옮기십시오. 대리점 또는 서비스 센터에 문의할 경우 제품 제원이 필요합니다.

제품 제원

브레이커	TE 2000-AVR
세대	01
일련 번호	

1.5 적합성 선언

폐사는 전적으로 책임을 지고 여기에 기술된 제품이 통용되는 기준과 규격에 일치함을 공표합니다. 적합성 증명서 사본은 본 문서 끝 부분에서 확인할 수 있습니다.

기술 문서는 이곳에 기술되어 있습니다.

Hilti Entwicklungsgesellschaft mbH | Zulassung Geräte | Hiltistraße 6 | 86916 Kaufering, DE

2 안전

2.1 전동공구에 대한 일반적인 안전상의 주의사항

경고 모든 안전상의 주의사항과 지침을 읽으십시오. 안전상의 주의사항과 지침을 준수하지 않을 경우, 화재 위험이 있으며 감전 그리고/또는 중상을 입을 수 있습니다.

앞으로 모든 안전상 주의사항과 지침을 보관하십시오.

작업장 안전수칙

- ▶ 작업장을 항상 깨끗이 하고 조명이 잘 들도록 하십시오. 어수선한 작업환경 또는 어두운 작업장은 사고를 초래할 수 있습니다.
- ▶ 인화성 액체, 가스 또는 먼지가 있어 폭발 위험이 있는 환경에서는 전동공구를 사용하지 마십시오. 전동공구는 먼지나 증기를 점화시킬 수 있는 스파크를 일으킵니다.
- ▶ 전동공구를 사용할 때, 어린이들이나 다른 사람들이 작업장에 접근하지 못하게 하십시오. 다른 사람들이 주의를 산만하게 하면 공구에 대한 통제를 잃기 쉽습니다.

전기에 관한 안전수칙

- ▶ 전동공구의 전원 플러그가 소켓에 잘 끼워져야 합니다. 플러그를 절대 변형시켜서는 안됩니다. 접지된 전동공구와 함께 아답타 플러그를 사용하지 마십시오. 변형되지 않은 플러그와 적합한 소켓을 사용하면 감전의 위험을 줄일 수 있습니다.
- ▶ 파이프, 히터, 전기레인지, 냉장고와 같은 접지 표면에 신체 접촉을 피하십시오. 신체에 닿을 경우 감전될 위험이 높습니다.
- ▶ 전동공구가 비에 맞지 않도록 하고 습한 장소에 두지 마십시오. 전동공구에 물이 들어가면 감전될 위험이 높습니다.
- ▶ 케이블만 잡고 전동공구를 운반하거나 걸어 놓아서는 안되며, 소켓에서 전원 플러그를 빼낼 때 케이블만 잡은 채로 빼내지 마십시오. 전원 케이블이 열, 오일, 날카로운 모서리 또는 기기의 가동부위에 접촉하지 않도록 주의하십시오. 손상되거나 영긴 전원 케이블은 감전 위험을 높입니다.
- ▶ 실외에서 전동공구를 이용하여 작업할 때, 실외용으로 승인된 연장 케이블만 사용하십시오. 실외용 연장 케이블을 사용하면 감전의 위험을 줄여줍니다.
- ▶ 전동공구를 습한 환경에서 사용하는 것을 피할 수 없을 경우, 누전 차단기를 사용하십시오. 누전 차단기를 사용하면 감전 위험을 줄일 수 있습니다.

사용자 안전수칙

- ▶ 신중하게 작업하십시오. 작업에 정신을 집중하고 전동공구를 사용할 때 경솔하게 행동하지 마십시오. 피곤하거나 항정신성 약물, 술 또는 약물 복용시에는 전동공구를 사용하지 마십시오. 전동공구 사용 시 이에 유의하지 않을 경우 심각한 부상을 초래할 수 있습니다.
- ▶ 안전 장비를 갖추고 보안경을 착용하십시오. 전동공구의 종류와 사용에 따라, 먼지 보호 마스크, 미끄럼 방지용 안전 신발, 안전모 또는 귀마개 등과 같은 안전한 보호장비를 착용하면 부상의 위험을 줄일 수 있습니다.



- ▶ 실수로 기기가 작동하지 않도록 주의하십시오. 전동공구를 전원에 연결하거나 설치 또는 운반하는 경우, 전동공구의 전원이 꺼져 있는지 확인하십시오. 전동공구 운반 시 스위치에 손가락을 대거나 스위치가 켜진 상태에서 전원을 연결하면 사고를 유발할 수 있습니다.
- ▶ 전동공구의 스위치를 켜기 전, 조정공구 또는 렌치를 제거하십시오. 기기 회전부에 남아있는 공구나 렌치로 인해 부상을 입을 수 있습니다.
- ▶ 작업시 비정상적인 자제는 피하십시오. 안전한 작업자세가 되도록 하고, 항상 균형을 유지하십시오. 이렇게 하여 예기치 않은 상황에서도 전동공구를 잘 제어할 수 있습니다.
- ▶ 적합한 작업복을 착용하십시오. 헐렁한 복장이나 장식품을 착용하지 마십시오. 작동하는 기기 가동 부위에 머리, 옷 그리고 장갑이 가까이 닿지 않도록 주의하십시오. 헐렁한 복장, 장식품 혹은 긴 머리가 가동 부위에 말려 들어갈 수 있습니다.
- ▶ 먼지 포집장치나 수거장치를 설치할 수 있는 기기의 경우, 이 장치들이 연결되어 있는지 그리고 제대로 작동되는지를 확인하십시오. 먼지 포집장치 사용은 먼지로 인한 위험을 줄여줄 수 있습니다.

전동공구의 취급과 사용

- ▶ 기기에 과부하가 걸리지 않도록 하십시오. 귀하의 작업에 적합한 전동공구를 사용하십시오. 적합한 전동공구를 사용하면, 지정된 성능 한도 내에서 더 효율적으로 안전하게 작업할 수 있습니다.
- ▶ 스위치가 고장난 전동공구는 사용하지 마십시오. 스위치가 작동되지 않는 전동공구는 위험하므로, 반드시 수리를 해야 합니다.
- ▶ 기기 세팅을 실시하거나 액세서리 부품을 교환하거나 혹은 기기를 보관할 때, 항상 소켓에서 플러그를 미리 빼어 놓으십시오. 이러한 조치는 실수로 전동공구가 작동하지 않도록 방지합니다.
- ▶ 사용하지 않는 전동공구는 어린이들의 손이 닿지 않는 곳에 보관하십시오. 기기 사용에 익숙치 않거나 또는 이 안전수칙을 읽지 않은 사람이 기기를 사용해서는 안됩니다. 비숙련자가 전동공구를 사용하면 위험합니다.
- ▶ 전동공구를 유의해서 관리하십시오. 기기의 가동 부위가 완벽하게 작동하는지, 끼어 있지 않은지, 혹은 부품이 손상되거나 파손되어 있어 전동공구의 기능을 저하시키지 않는지 점검하십시오. 기기 사용 전 손상된 부품을 수리하도록 하십시오. 제대로 관리되지 않은 전동공구는 많은 사고를 유발합니다.
- ▶ 절단기기는 날카롭고 깨끗하게 관리하십시오. 날카로운 절단면이 있고 잘 관리된 절단기기는 끼이는 경우가 드물고 조절하기도 쉽습니다.
- ▶ 본 지침에 따라 전동공구, 액세서리, 공구비트 등을 사용하십시오. 이 때 작업 조건과 실시하려는 작업 내용을 고려하십시오. 원래 사용 분야가 아닌 다른 작업에 전동공구를 사용할 경우, 위험한 상황을 초래할 수 있습니다.

서비스

- ▶ 전동공구는 반드시 자격을 갖춘 전문 기술자에 의해 그리고 순정 대체부품만 이용하여 수리해야 합니다. 이렇게 하여 전동공구의 안전성을 계속해서 유지할 수 있습니다.

2.2 해머에 대한 안전상의 주의사항

- ▶ 귀마개를 착용하십시오. 극심한 소음은 청각 상실을 유발할 수 있습니다.
- ▶ 기기와 함께 공급된 보조 손잡이를 사용하십시오. 기기를 제어하지 못하면 부상을 입을 수 있습니다.
- ▶ 공구 비트가 숨겨진 전선이나 기기 자체의 전원 케이블과 접촉할 수 있는 작업을 할 경우, 항상 기기의 절연된 손잡이 부분을 잡으십시오. 전류가 흐르는 전선과 접촉하면 전동공구의 금속 부위를 통해 감전이 될 수도 있습니다.

2.3 그외 브레이커에 관한 안전상의 주의사항

사용자 안전수칙

- ▶ 기술적 하자가 없는 상태에서에만 제품을 사용하십시오.
- ▶ 어떠한 경우에도 기기를 무단 변경 또는 개조하지 마십시오.
- ▶ 천장, 벽 및 바닥 치울림 작업 시 안전하고 단단한 상태인지 확인하십시오. 갑자기 파손이 발생하면 균형을 잃을 수 있습니다!
- ▶ 천공 작업 시, 작업할 부분의 반대편이 안전하게 조치를 취하십시오. 발생하는 분쇄물이 빠져 나오거나 또는 떨어지면서 다른 사람이 부상을 입을 수 있습니다.
- ▶ 사용자와 그 주변에 있는 사람들은 기기를 사용하는 동안 반드시 적합한 보안경, 안전모, 귀마개 그리고 보호장갑을 착용해야 합니다.
- ▶ 공구 교체 시에도 보호장갑을 착용하십시오. 공구 비트에 닿으면 부상을 입거나 화상을 당할 수 있습니다.
- ▶ 보안경을 착용하십시오. 재료의 파편으로 인해 눈 등 신체에 부상을 입을 수 있습니다.
- ▶ 작업을 시작하기 전, 작업 시 발생하는 먼지의 위험 등급을 알아보십시오. 해당 국가의 먼지 방지 규정에 적합하며, 공식적으로 허용된 보호 등급의 산업용 진공 청소기만을 사용하십시오. 납이 함유된 도료, 일부 목재, 콘크리트/조적벽돌/수정을 함유한 암석 및 금속과 같은 광물질로부터 나오는 먼지는 건강에 해로울 수 있습니다.



- ▶ 작업장을 잘 환기시키고 먼지의 종류에 따라 필요 시 보호마스크를 착용하십시오. 먼지를 흡입하거나 만질 경우, 사용자 또는 근처에 있는 사람에게 기관지 질환이나 알레르기 반응이 나타날 수 있습니다. 딱딱나무 입자 또는 너도밤나무 입자와 같은 특정 종류의 먼지는, 특히 목재 처리용으로 사용하는 첨가제(크롬산염, 목재 부식 방지제)와 결합하여 암을 일으킬 수 있습니다. 석면 물질은 전문기술자만 다룰 수 있습니다.
- ▶ 손가락의 혈액순환이 잘 되도록 하기 위해 휴식시간 동안 손가락 운동을 하십시오. 장시간 작업하면 진동으로 인해 혈관 장애 또는 손가락, 손 및 손목의 신경 체계에 이상이 있을 수 있습니다.

전기에 관한 안전수칙

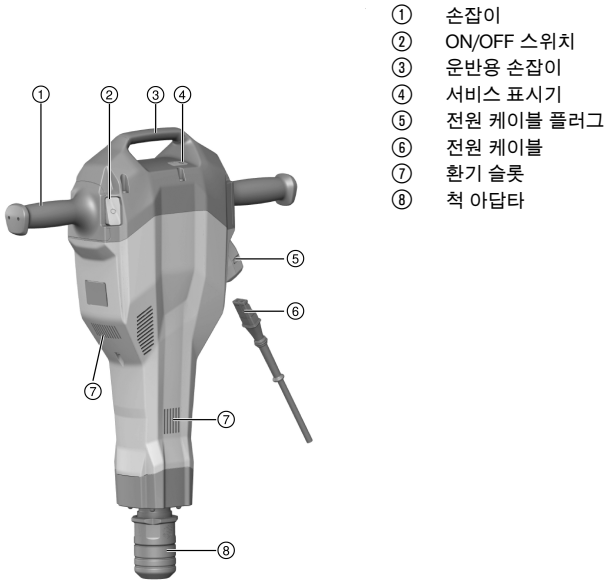
- ▶ 작업을 시작하기 전에, 작업장에서 가려져 있거나 덮혀 있는 전기 배선, 가스 파이프 그리고 하수도관이 있는지를 점검하십시오. 실수로 전기 케이블을 손상시킨 경우, 기기 바깥쪽에 있는 금속 부품에서 전기 쇼크를 일으킬 수 있습니다.

전동 공구의 올바른 사용방법과 취급방법

- ▶ 전동 공구를 내려놓기 전에 전동 공구가 완전히 정지할 때까지 기다리십시오.

3 제품 설명

3.1 TE 2000-AVR 개요 1



- ① 손잡이
- ② ON/OFF 스위치
- ③ 운반용 손잡이
- ④ 서비스 표시기
- ⑤ 전원 케이블 플러그
- ⑥ 전원 케이블
- ⑦ 환기 슬롯
- ⑧ 척 아답터

3.2 이동식 카트 개요 2

- ① 손잡이
- ② 잠금 브래킷
- ③ 소모품용 홀더(치즐)
- ④ 휠
- ⑤ 휠 안전장치(와셔, 코어 핀)
- ⑥ 기기 맨드릴

3.3 규정에 맞는 사용

기술된 제품은 소형 브레이크입니다. 이 기기는 콘크리트, 조적벽돌 및 아스팔트의 치즐링 작업에 적합합니다. 파쇄 작업 및 새기는 작업을 위한 용도로도 사용 가능합니다.

형식 라벨에 제시되어 있는 정격 전압과 정격 주파수로만 기기를 작동시켜야 합니다.



3.4 사용 시 주의사항

- 기기는 건조한 환경에서만 다루어야 합니다.
- 화재위험 및 폭발위험이 있는 곳에서 기기를 사용하지 마십시오.
- 건강에 해로운 물질(예: 석면 등)을 가공해서는 안 됩니다.

3.5 Active Vibration Reduction

본 제품은 진동을 현저하게 줄여주는 Active Vibration Reduction (AVR) 시스템이 장착되어 있습니다.

3.6 서비스 표시기

브레이크에 램프 신호를 갖춘 서비스 표시기가 장착되어 있습니다.

상태	의미
서비스 표시기가 적색으로 점등됨.	서비스 받을 시점에 도달하였음. 항상 제품 작동이 가능하도록 제품을 적시에 Hilti 서비스 센터로 가지고 오십시오. 기기 손상.
서비스 표시기가 적색으로 깜박임.	과열방지장치 전원 전압이 너무 높음.

3.7 공급품목

브레이크, 전원 케이블, 사용 설명서, 그리스. 이동식 카트가 액세서리로 제공됩니다.

해당 제품에 허용되는 기타 시스템 제품은 Hilti 센터 또는 온라인 www.hilti.group에서 확인할 수 있습니다.

4 기술자료

4.1 브레이크



정격 전압, 정격 전류, 주파수 그리고/또는 정격 출력은 국가별 형식 라벨을 참조하십시오.

발전기 또는 변압기에서 작동할 경우, 발전기 및 변압기의 공급출력이 본 기기의 형식 라벨에 적힌 정격 출력보다 최소 두 배 이상 높아야 합니다. 변압기 및 발전기의 작동 전압은 항상 기기의 정격 전압의 +5% ~ -15% 사이에 위치해야 합니다.

	TE 2000-AVR
EPTA-Procedure 01에 따른 무게	14.5kg
타격 속도	30Hz
보호 등급	II

4.2 EN 60745에 따른 소음 정보 및 진동값

이 치함에 제시된 음압 및 진동수준은 표준화된 측정방법에 따라 측정된 것이며, 전동공구를 서로 비교하기 위한 용도로 사용할 수 있습니다. 음압 및 진동 수준은 노출 정도를 사전에 예측하는 데에도 유용하게 사용할 수 있도록 설계되어 있습니다. 제시된 데이터는 전동공구의 주된 용도를 나타냅니다. 그러나 전동공구를 다른 용도로 사용하거나 다른 공구 비트를 사용할 경우 또는 유지보수를 충분히 하지 않은 상태에서는 데이터에 편차가 있을 수 있습니다. 이러한 경우 전 작업시간에 걸쳐 노출이 현저하게 증가할 수 있습니다. 노출을 정확하게 평가하기 위해서는 기기 작동이 멈춰 있거나 또는 작동 중이지만 실제로는 사용하지 않는 시간도 고려해야 합니다. 이러한 경우 전 작업시간에 걸쳐 노출이 현저하게 감소할 수 있습니다. 사용자를 보호하기 위해 음파 그리고/또는 진동이 작용하기 전에 다음과 같은 추가적인 안전 조치를 취하십시오. 전동공구와 공구 비트의 유지보수, 손을 따뜻하게 유지, 작업순서 정하기 등.

소음 배출 값

측정된 소음 수준 (L_{WA})	97dB(A)
보장된 소음 수준 (L_{WAd})	100dB(A)
소음 수준 허용공차 (K_{WA})	3dB(A)



음압 수준 (L_{pA})	77dB(A)
음압 수준 허용공차 (K_{pA})	3dB(A)

진동값

치질링 ($a_{h, Cheq}$)	4.8m/s ²
허용공차 (K)	1.5m/s ²

5 조작

5.1 작업 준비

주의

부상위험! 제품의 돌발적인 시동.

- ▶ 기기 설정 또는 액세서리를 교체하기 전에 전원 플러그를 당기십시오.

본 문서 및 제품에 나와 있는 안전 지침 및 경고 지침에 유의하십시오.

5.1.1 전원 케이블을 기기에 연결하기



분리식 플러그 커넥터는 깨끗하고 건조하며 전압이 흐르지 않는 상태에서만 제품과 연결되어야 합니다. 지정된 커넥터로 연결합니다.

1. 이동식 카트에서 전원 케이블을 꺼내십시오.
2. 플러그 커넥터를 맞물려 잡기는 소리가 들릴 때까지 기기에 끼우십시오.
3. 전원 플러그를 소켓에 끼우십시오.

5.1.2 공구 비트 삽입

1. 전원 플러그를 소켓에서 빼내십시오.
2. 드릴 생크식 기기 비트를 가볍게 기름칠하십시오.
 - ▶ **HILTI**의 순정 그리스만 사용하십시오. 적합하지 않은 그리스를 사용하면 제품이 손상될 수 있습니다.
3. 공구 비트를 척 아답타에 끼운 다음, 잡기는 소리가 날 때까지 공구 비트를 가볍게 누르면서 돌리십시오.
4. 치줄을 잡아 당겨서 치줄이 정확하게 잠겼는지 점검하십시오.

5.1.3 공구 비트 분리

주의

부상위험! 공구 비트가 뜨겁거나 그리고/또는 모서리가 날카로울 수 있습니다.

- ▶ 공구 비트 교체 시 보호장갑을 착용하십시오.
- ▶ 절대 뜨거운 공구 비트를 인화성 플레이트에 놓지 마십시오.

1. 전원 플러그를 소켓에서 빼내십시오.
2. 공구 잠금장치를 스톱 위치까지 뒤로 당기십시오.
3. 공구 비트를 빼내십시오.

5.2 작업

경고

감전으로 인한 위험! 접지 도체 및 누전 차단기의 부재는 증상 및 화재를 유발할 수 있습니다.

- ▶ 공사현장의 전원 또는 발전기 전기 공급선에 접지 도체와 누전 차단기가 설치되어 있는지 그리고 연결되어 있는지 점검하십시오.
- ▶ 본 안전 지침 없이는 어떤 제품도 작동시키지 마십시오.

경고

손상된 케이블로 인한 위험! 작업하는 동안 전원 케이블이나 연장 케이블이 손상되었을 경우에는 절대로 케이블을 만지지 마십시오. 전원 플러그를 소켓에서 빼내십시오.

- ▶ 기기의 연결 케이블을 정기적으로 점검하고, 손상이 있을 경우 자격을 갖춘 전문가가 교환하도록 하십시오.



건축 감독 또는 현장 엔지니어로부터 작업 승인을 완전히 받아야 합니다.

5.2.1 치줄링 작업

1. 전원 플러그를 소켓에 끼우십시오.
2. 치줄을 원하는 위치에 대십시오.
3. ON/OFF 스위치를 누르십시오.



저온에서 작업할 경우:

기기는 타격기구가 작동할 수 있을 정도까지의 최소 작동온도를 필요로 합니다. 최소 작동온도에도 달하기 위해서는, 기기를 잠시 땅바닥 위에 설치하고 공회전 속도로 작동시키십시오. 필요할 경우 타격기구가 작동할 때까지 이 과정을 반복하십시오.

5.2.2 스위치 끄기

1. ON/OFF 스위치를 누르십시오.
2. 전원 플러그를 소켓에서 빼내십시오.

5.2.3 작업 지침



치줄 각도를 (60° 단계로) 6가지의 다양한 위치에 둘 수 있습니다. 이를 통해 평치줄과 성형 치줄을 항상 최적의 작업위치에서 작동시킬 수 있습니다.

- ▶ 치줄을 모서리에서 약 80-100 mm (3¼" - 4") 떨어진 거리에 두십시오.
- ▶ 보강철근의 경우 치줄은 항상 보강철근 쪽이 아닌, 자재의 모서리 쪽을 향하도록 하십시오.
- ▶ 콘크리트 표면에 70° ~ 80°의 각도를 유지하여 치줄 작업을 시작하고, 끝이 모서리 쪽을 향하도록 하십시오. 그리고 나서 90° 각도로 옮긴 후 자재를 파쇄하십시오.
- ▶ 균등하게 마모되어야 날카롭게 유지되므로, 치줄을 정기적으로 회전시켜주는 것이 좋습니다.
- ▶ 압착력이 너무 낮으면 치줄이 튀어오릅니다. 압착력이 너무 높으면 치줄 출력이 떨어집니다.

6 이동식 카트 옵션

6.1 운반

이동식 카트를 이용하면 브레이커의 안전한 운반이 보장됩니다.

- 이동식 카트가 안정된 상태에 있도록 하십시오.
- 기기를 규정한 기기 맨드릴에 놓고 운반 중에는 고정 브래킷으로 고정하십시오.
- 치줄을 규정한 홀더에 맞물려 고정될 때까지 밀어 넣으십시오.
- 이송 경로에 문제점이 없는지 유의하십시오.
- 이동식 카트를 경사면에 놓지 마십시오.

7 관리 및 유지보수



경고

감전 위험! 전원 플러그가 삽입된 상태에서 관리 및 수리 작업을 진행하면 중상 및 화상을 입을 수 있습니다.

- ▶ 관리 및 수리 작업을 진행하기 전에 항상 전원 플러그를 분리하십시오!

관리

- 공구에 부착된 오염물질을 조심스럽게 제거하십시오.
- 마른 솔로 환기 홀을 조심스럽게 청소하십시오.
- 하우징은 약간 물을 적신 천으로만 닦으십시오. 플라스틱 부품을 손상시킬 수 있으므로 절대로 실리콘이 함유된 보호제를 사용하지 마십시오.

유지보수

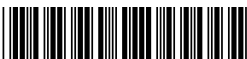


경고

감전으로 인한 위험! 전기 구성부품에서 부적절하게 수리하면 중상을 입거나 화재를 야기할 수 있습니다.

- ▶ 전기 부품은 반드시 전기 기술자가 수리하도록 해야 합니다.

- 눈에 보이는 모든 부품은 정기적으로 손상 여부를 점검하고 조작 요소가 아무 문제 없이 작동하는지 점검하십시오.



- 손상되었거나 기능 장애가 있는 경우에는 제품을 작동하지 마십시오. 바로 **Hilti** 서비스 센터에서 수리받으십시오.
- 관리 및 수리 작업 후 모든 보호장치를 가져와 기능을 점검하십시오.

i 안전하게 작동하기 위해서는 순정품 예비 부품 및 소모품만 사용하십시오. 해당 제품에 허용되는 예비 부품, 소모품 및 액세서리는 **Hilti Store** 또는 **에서 확인**할 수 있습니다. www.hilti.group.

8 문제 발생 시 도움말

본 도표에 제시되어 있지 않거나 스스로 해결할 수 없는 문제가 발생한 경우 **Hilti** 서비스 센터에 문의해 주십시오.

8.1 고장 목록

장애	예상되는 원인	해결책
기기가 작동하지 않음	전자 장치가 초기화됨(전원 공급장치 연결 후 약 4초 이내에)	▶ 기기를 껐다가 다시 켜십시오.
	전원이 공급되지 않음	▶ 다른 전동 공구를 끼우고, 기능을 점검하십시오.
	전원 케이블 또는 플러그 고장	▶ 전기 기술자가 점검하도록 하고, 필요 시 교환하십시오.
	발전기가 수면 모드에 있음	▶ 발전기를 보조 전력 기기에 연결하십시오(예: 공사현장 전등). 그리고 나서 기기를 껐다가 다시 켜십시오.
타격이 되지 않음	기기가 너무 차가움	▶ 기기를 최소 작동온도로 맞추십시오.
	공구 손상	▶ Hilti 서비스 센터에서 기기를 수리 받으십시오.
기기가 작동하지 않거나 작동 중에 멈추고 표시기가 적색으로 깜박임	일시적 오류(예: 과열 또는 과전압)	▶ 기기의 전원을 꺼서 기기를 냉각시키거나 다른 전원 공급장치에 연결하십시오.
기기는 작동하지만, 표시기가 계속해서 적색으로 점등됨	정비 사전 경고	▶ Hilti 서비스 센터를 통해 서비스 또는 수리를 받으십시오.
기기가 작동하지 않거나 작동 중에 멈춤	연장 케이블이 너무 김 또는 심선 단면적이 너무 작음	▶ 심선의 단면적이 충분히 큰, 허용된 길이의 연장 케이블을 사용하십시오.
	전원 케이블이 제대로 끼워지지 않음	▶ 전동공구에 전원 케이블을 제대로 연결하십시오.

9 폐기

Hilti 기기는 대부분 재사용이 가능한 소재로 제작되었습니다. 재활용을 위해 개별 부품을 분리하여 주십시오. **Hilti**는 대부분의 국가에서 재활용을 위해 노후기기를 수거해 갑니다. **Hilti** 고객 서비스센터 또는 판매 상담자에게 문의하십시오.



- ▶ 전동 공구, 전자식 기기 및 배터리를 일반 가정 쓰레기로 폐기하지 마십시오!

10 RoHS (유해물질 사용 제한 지침)

아래 링크에서 유해물질에 관한 도표를 확인할 수 있습니다. qr.hilti.com/r6025050.
RoHS 도표로 이어지는 링크는 본 문서 끝에 QR 코드 형식으로 제시되어 있습니다.

11 제조회사 보증

- ▶ 보증 조건에 관한 질문사항은 **Hilti** 파트너 지사에 문의하십시오.



1 文件相關資訊

1.1 關於此文件

- 初次操作或使用前，請先詳讀此文件。本文件包含安全前提、疑難排解處理和產品使用。
- 請遵守本文中與產品上的安全說明和警告。
- 操作說明應與產品一起保管，產品交予他人時必須連同操作說明一起轉交。

1.2 已使用的符號說明

1.2.1 警告

警告使用本產品的人員可能發生之危險。採用了以下標示文字：



危險！

- ▶ 此標語警示會發生對人造成嚴重傷害甚至致死的危險情形。



警告！

- ▶ 此標語警示會造成嚴重傷害甚至致死危險的潛在威脅。



注意！

- ▶ 此標語警示可能會發生造成人員受傷，或造成設備及其他財產損壞之危險狀況。

1.2.2 文件中的符號

本文中採用以下符號：

	使用前請閱讀操作說明。
	使用說明與其他資訊
	處理可回收的材料
	不可將電子設備與電池當作家庭廢棄物處置

1.2.3 圖解中的符號

圖解中採用了以下符號：

	號碼對應操作說明的開始處的圖解
	編號代表圖解中的操作步驟順序，可能與內文中的步驟有所不同
	項目參考編號用於總覽圖解，並請參閱產品總覽章節中使用的編號
	本符號是為了讓您在操作本產品時可以注意某些重點。

1.3 產品專屬符號

1.3.1 產品上的符號

產品上採用下列符號：

	防護等級II（雙重絕緣）
	維修指示燈



1.4 產品資訊

產品是針對專業使用者設計，故僅經訓練、認可的人員可操作、維修與維護本產品。必須告知上述人員關於可能遭遇到的特殊危險。若因未經訓練人員操作錯誤或未依照其原本的用途操作，則本產品和它的輔助工具設備有可能會發生危險。類型名稱和序號都標示於額定銘牌上。

▶ 在下方表格中填入序號。與Hilti維修中心或當地Hilti機關聯絡查詢產品相關事宜時，我們需要您提供產品詳細資訊。

產品資訊

鑿破機	TE 2000-AVR
產品代別	01
序號	

1.5 符合聲明

基於我們唯一的責任，本公司在此聲明本產品符合適用的指示或標準。本文件結尾處有符合聲明之副本。技術文件已歸檔：

Hilti Entwicklungsgesellschaft mbH | Tool Certification | Hiltistrasse 6 | 86916 Kaufering, Germany

2 安全性

2.1 一般電動機具安全警告

⚠ 警告

請詳閱所有的安全警示及說明。未能遵守以下警示及說明可能會造成電擊事故、火災和 / 或嚴重的傷害。妥善保存所有警示及說明，以供將來參考。

工作區域安全

- ▶ 請保持工作區的清潔與採光充足。雜亂而昏暗的工作區會導致意外發生。
- ▶ 勿在容易發生爆炸的環境中使用機具，例如有可燃性液體、瓦斯或粉塵存在的環境。機具產生的火花可能會引燃塵埃或煙霧。
- ▶ 操作機具時，請與兒童及旁人保持距離。注意力不集中時容易發生失控的情形。

電力安全

- ▶ 機具插頭與插座須能互相搭配。勿以任何方式改裝插頭。勿將任何變壓器插頭和與地面接觸（接地）的電動機具搭配使用。未經改裝的插頭以及能互相搭配的插座可減少發生電擊的危險。
- ▶ 避免讓身體碰觸到如管線、散熱器、爐灶與冰箱等與土地或地表接觸之物品。如果您的身體接觸到地表或地面，將增加電擊的危險。
- ▶ 請勿將機具曝露在下雨或潮濕的環境中。若水氣進入機具中將增加觸電的危險。
- ▶ 勿濫用電纜線。勿以電纜線吊掛、拖拉機具或拔下機具插頭。電纜線應避開熱氣、油、銳利的邊緣或移動性零件。電纜線損壞或纏繞會增加發生電擊事故的危險。
- ▶ 於室外操作機具時，須使用適用於戶外的延長線。使用適合戶外使用的延長線可降低觸電的風險。
- ▶ 如果無法避免在潮濕的地點操作機具，請使用漏電斷路器（RCD）保護電源供應器。使用漏電斷路器（RCD）可降低電擊的風險。

人員安全

- ▶ 操作機具時，請提高警覺，注意進行中的工作並善用常識。感到疲勞或受到藥物、酒精或治療的影響時勿使用機具。操作機具時稍不留神就可能造成嚴重的人員傷亡。
- ▶ 佩戴個人防護裝備。請隨時穿戴護目鏡。適當使用防塵面罩、防滑鞋、安全帽及耳罩等安全防護設備可減少人員的傷害。
- ▶ 避免不經意的啟動。在接上電源、抬起或攜帶機具之前，務必確認開關處於關閉的位置。攜帶機具時，如果把手指放在開關上，或在開關開啟時，將機具插上插頭容易發生意外。
- ▶ 啟動機具前，應將所有調整鑰匙或扳手移開。將扳手或鑰匙留在機具的旋轉零件中可能會造成人員傷害。
- ▶ 勿將手伸出過遠。隨時站穩並維持平衡。這可讓您在意外情況發生時，對機具有較好的控制。
- ▶ 穿著適當服裝。請勿穿寬鬆的衣服或配戴珠寶。頭髮、衣服與手套應遠離移動性零件。移動性零件可能會夾到寬鬆的衣服、珠寶或長髮。
- ▶ 如果機具可連接吸塵裝置與集塵設備，請連接並適當使用這些設備。使用集塵裝置可降低與粉塵有關的危險。

機具使用與保養

- ▶ 不可強制使用機具。依據用途使用正確的機具。根據設計的速率使用機具可更快速安全地完成工作。
- ▶ 若開關無法啟動或關閉機具時，請勿使用機具。任何無法以開關控制的機具都很危險且需要維修。



- ▶ 在進行任何調整、更換配件、或貯放電動機具前，請先將插頭拔離插座與機具。此預防安全措施可降低機具意外啟動的風險。
- ▶ 將閒置的機具貯放在兒童拿不到的地方，勿讓不熟悉或未詳閱本說明的人員操作本機具。未經訓練的使用者使用本機具時，容易造成危險。
- ▶ 維護機具。請檢查移動性零件有無偏移或黏合的情形、零件有無破損，以及任何會影響機具運轉的狀況。如果機具受損，請先維修後再使用。很多意外便是由維護不當的機具造成的。
- ▶ 保持切割機具的銳利與清潔。具銳利切割邊緣的切割機具如果得到適當的維護，便較不會發生黏合的現象，且較容易控制。
- ▶ 遵守本指示說明使用機具、配件和工具組等，並考量工作條件與待進行的工作。將機具用在原目的之外之用途可能會造成危險。

維修服務

- ▶ 請將機具交給合格的維修人員進行維修，並使用相同的替代零件。這可確保維護機具安全。

2.2 鎚擊安全警告

- ▶ 請配戴耳罩。暴露於噪音環境下會導致聽力受損。
- ▶ 請使用機具輔助握把。機具失控可能導致人員受傷。
- ▶ 當所進行的工作，其切割配件可能會碰觸到隱藏配線或其自身的電線時，進行操作時請握住機具的絕緣握把。與「導電」電線接觸的切割配件可能會導致機具暴露在外金屬零件「導電」，使得操作人員遭受電擊。

2.3 鑿破機的其他安全操作說明

人員安全

- ▶ 請使用狀態良好無瑕疵的產品。
- ▶ 勿嘗試以任何方式改裝機具。
- ▶ 往天花板、牆面及地板鑿孔時，請務必確認您有安全且堅固的站立點。若突然擊穿會影響您的平衡！
- ▶ 若工作包含鑿穿作業，請於工件另一面一併採取適當的防護措施。鑿穿的碎片會掉落和 / 或造成他人受傷。
- ▶ 機具運轉時，您與附近的所有人都必須配戴合適的護目鏡及安全帽、聽力保護耳罩、保護性手套和呼吸保護口罩。
- ▶ 請在更換配件工具時也戴上防護手套。觸摸配件工具會造成割傷或灼傷。
- ▶ 穿戴護目鏡。飛散的碎片會傷到人體或眼睛。
- ▶ 在開始作業前，請先針對作業時所產生粉塵之危險等級進行確認。使用符合當地粉塵防治條例，且經法定認可為保護等級之工業用吸塵器。含鉛塗料、某些木材及含石英之混凝土 / 石材 / 石頭、礦物質或金屬等材料的粉塵均對身體有害。
- ▶ 請確保工作場所所有良好通風，必要時，請依會產生的粉塵類型配戴適合的口罩。操作人員與旁觀者接觸或吸入粉塵可能會引起過敏並 / 或造成呼吸系統或其他疾病。像是橡木與山毛櫸木材的粉塵已列為致癌物質，尤其是當它們使用調濕塗料（鉻酸鹽、木材防腐劑）時。包含石綿之基材務必由專人處理。
- ▶ 請適時休息，並活動您的手指以促進血液循環。長時間暴露在震動下會造成手指、手掌和手腕的血管和神經系統失調。

電力安全

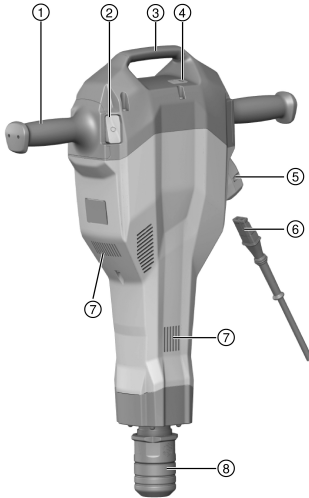
- ▶ 開始工作前，請先檢查工作區域是否有隱藏的電纜線、瓦斯管或水管。若不小心損害電纜線時，機具外部的金屬零件可能會導電而造成電擊的危險。

小心處理與使用電子機具

- ▶ 請等候機具完全停止再將其放下。



3.1 TE 2000-AVR總覽



- ① 握把
- ② On/Off開關
- ③ 握把
- ④ 維修指示燈
- ⑤ 電源線插頭
- ⑥ 可拆式電源線
- ⑦ 通風口
- ⑧ 夾頭

3.2 用途

本文所述產品為手持充電式鑿破機。適合用於混凝土、石材、石頭之鑿孔作業。其亦可用於挖掘與緊壓。機具驅動連接供電總電源時，需符合額定銘牌上所指定的電壓和頻率。

3.3 可能發生的誤用

- 機具僅可在乾燥的環境中使用。
- 不要在有可能發生火災與爆炸危險的地方使用本機具。
- 勿在會危害人體健康的基材（例如：石綿）上作業。

3.4 Active Vibration Reduction

本機具配備主動減震（Active Vibration Reduction (AVR)）系統，可明顯減少震動。

3.5 維修指示燈

本鑿破機配備維修LED指示燈。

狀態	意義
維修指示燈亮起紅燈。	維修間隔結束 - 維修日期已到。定期將機具送回Hilti維修中心保養以確保機具使用狀態良好。機具發生故障。
維修指示燈閃爍紅燈。	過熱防護措施 電源供應電壓過高。



3.6 配備及數量

電子鑿破機，可拆式電源線、操作說明、潤滑劑。搬運推車為配件。
關於產品，您可於當地Hilti中心或網站www.hilti.group查詢其他經過認證的系統產品。

4 技術資料

4.1 鑿破機



關於額定電壓、電流、頻率和 / 或輸入功率，請參照機具的特定國家型號識別牌。

如果要使用發電機或變壓器供電，必須至少能提供兩倍於機具額定銘板上標示的額定輸入值電力。發電機或變壓器的操作電壓必須隨時介於機具額定電壓+5%和-15%以內。

	TE 2000-AVR
重量 (依據EPTA程序01)	14.5 kg
衝擊速度	30 Hz
防護等級	II

4.2 噪音資訊和震動值 (依據EN 60745)

操作說明中所提供之音壓和震動值已參照標準測量，並可用來比較不同機具之噪音。它們也可作為噪音量的初步評估。提供之資料表示機具主要應用時之數值。若機具應用於不同之用途，搭配不同的配件工具或在保養不良的情況下，其數據會有所不同。在作業過程中，這會大幅提高其噪音量。當機具關閉，或開啟但未進行任何作業時也應列入考量，才能準確評估噪音量。在作業過程中，這會大幅降低其噪音量。確認其他安全措施，以保護操作員不受噪音和 / 或震動影響，例如：保養機具與其配件工具、操作前保持雙手溫暖、作業型式之安排等。

震動值

測得的聲功率級數 (L_{WA})	97 dB(A)
保證聲功率級數 ($L_{WA,d}$)	100 dB(A)
無法判定的聲功率級數 (K_{WA})	3 dB(A)
釋放的音壓級數 (L_{pA})	77 dB(A)
無法判定的音壓級數 (K_{pA})	3 dB(A)

震動值

鑿孔 ($a_{h, Chetq}$)	4.8 m/s ²
無法判定 (K)	1.5 m/s ²

5 操作

5.1 工作場所的準備工作



注意

有受傷的危險！產品意外啟動。

- ▶ 在調整機具或變更配件前，請先拔除電源線。

請遵守本文件中與產品上的安全說明和警告。

5.1.1 將電源線連上機具



可拆式插頭連接頭僅能在乾淨、乾燥且無電壓（亦即未連接電源時）的情況下連接到產品。插頭連接頭有鍵齒相符。

1. 將電源線自厚紙箱上移除。
2. 將連接頭插入機具，直到咬合聲音。
3. 將電源線插頭插入插座。



5.1.2 安裝配件工具

1. 將電源線插頭自插座拔離。
2. 在配件工具的連接頭稍微上點潤滑劑。
 - ↳ 限使用HilTI提供的建議潤滑劑。使用錯誤的油脂會造成機具損壞。
3. 盡可能將配件工具推入夾具內，並施加些微壓力直到發出咬合的喀嗒聲。
4. 請以握住拉取方式檢查鑿子是否已正確咬合。

5.1.3 卸下配件工具

注意

有受傷的危險！配件可能會非常燙和 / 或有尖銳的邊緣。

- ▶ 請在更換配件工具時戴上防護手套。
- ▶ 不得將配件工具放置在可燃表面上。

1. 將電源線插頭自插座拔離。
2. 將配件工具固定棒盡可能向後拉回。
3. 卸下配件工具。

5.2 工作類型

警告

觸電風險！若操作沒有接地導線及未正確連接漏電斷路器的機具，會造成人員嚴重傷害或灼傷。

- ▶ 不論使用的主電源或發電機功率為何，請務必確認已正確連接適當的接地導線且電源已安裝漏電斷路器。
- ▶ 除非上述安全措施已確實安裝且正常運作，否則不得使用本產品。

警告

受損的電源線會造成危險！當機具運轉時，如果發現電源線或延長線受損，請勿碰觸。請將電源線插頭自插座拔除。

- ▶ 請定期檢查設備的電源線，並在發現損壞時，請合格的電力專員更換。

開始進行作業前，須得到現場工程師或建築師的完整許可。

5.2.1 鑿孔

1. 將電源線插頭插入插座。
2. 將鑿子尖端置於需要的位置。
3. 按下On/Off開關。



低溫環境的運作：

鎚擊機制僅在當機具達到最低運轉溫度時才能運作。請將鑿子放置基材接觸面，並啟動機具使之於無負載下運轉，直到到達所需的運轉溫度。如有必要，請重複此程序直到鎚擊機制開始運作。

5.2.2 關閉開關

1. 按下On/Off開關。
2. 將電源線插頭自插座拔離。

5.2.3 操作機具



鑿子可調整在6種不同位置（每60°一段）。這樣便可確保扁鑿和各形狀的鑿子可以設定在最佳運作段位。

- ▶ 將鑿子放置在工件邊緣約80 - 100 mm (3 1/8" - 4") 的位置。
- ▶ 在鋼筋附近工作時，請務必將鑿子尖端往工件邊緣方向導引，而不是往鋼筋。
- ▶ 一開始，先將鑿子放置在與混凝土表面為70°到80°之間的角度，然後鑿子尖端指向工件邊緣處。在鑿子深入的同时，緩緩的將角度增至約90°將材料鑿穿。
- ▶ 定期旋轉鑿子以確保磨損平均且有助於促進自銳程序。
- ▶ 若壓力不足，鑿子會到處亂跳，無法控制。過度壓力的使用會造成鑿孔效能的損失。



6 選配搬運推車

6.1 運送

搬運推車可以確保鑿破機的搬運安全。

- 請將搬運推車停放在穩定、牢靠的位置。
- 將機具放在搬運推車上的定位銷，並切記將扣環扣上，使其可穩固搬運。
- 將鑿子推入提供的承座中直到確實咬合。
- 請小心並僅遵循安全的搬運路線。
- 請勿將搬運推車停放在斜坡上。

7 維護和保養

警告

觸電危險！ 電源線仍連接到電源插座時進行維護和保養會造成嚴重的傷害或灼傷。

- ▶ 進行維護及保養前，請務必拔下電源線。

注意

- 小心地清除可能附著在零件上的灰塵。
- 請使用乾燥的刷子小心清潔通風口。
- 僅能使用微濕軟布清潔外殼。勿使用含硅樹脂的清潔或亮光劑，因為可能會造成塑膠零件損壞。

維護

警告

電擊的風險！ 損壞的電子零件會造成嚴重的人員傷害及灼傷。

- ▶ 機具或設備電力部分的維修僅可交由訓練過的電力專員處理。

- 定期檢查外部零件和控制元件有無損壞跡象，並確認它們運作正常。
- 如果有損壞跡象或任何零件功能故障，請不要操作本產品。請立即交由Hilti維修中心維修。
- 清潔及保養後，裝上所有防護套或保護裝置並檢查功能是否正常。



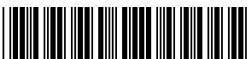
為確保操作的安全及可靠性，請務必使用原廠Hilti備件與耗材。您可以在 **Hilti Store** 或網站：www.hilti.group 選購Hilti認可的備件、耗材和配件。

8 故障排除

若您遇到未列出的問題或是無法自行排除的問題，請聯絡Hilti維修中心。

8.1 故障排除表

故障	可能原因	解決方法
機具無法啟動。	電器初始化進行中（插電後約需4秒鐘）。	▶ 再次切換機具開關（先關閉再開啟）。
	電源供應中斷。	▶ 將插頭插入另一電器並檢查是否可啟動。
	電源線或插頭有瑕疵。	▶ 將零件送交經訓練電力專員檢查，必要時予以更換。
	發電機有睡眠模式	▶ 連接第二個電力消耗裝置（例如工作燈）至發電機上。關閉機具後再開啟。
無鎚擊動作。	機具溫度太冷。	▶ 將機具暖機直到最低運轉溫度。
	機具發生故障。	▶ 請將機具交付Hilti維修中心進行維修。
機具無法啟動或在運轉時停止，且指示燈閃爍紅燈。	暫時故障（例如過熱或電壓過高）。	▶ 關閉機具，讓機具冷卻或連接到其他電源。
機具啟動但維修指示燈恆亮紅燈。	需要維修的進階警示。	▶ 請將機具交由Hilti維修中心進行維護或維修。



故障	可能原因	解決方法
機具無法啟動，或在運轉時停止。	延長線太長和 / 或口徑規格不足。	▶ 使用經認可的延長線及 / 或足夠的口徑。
	可拆式電源線未正確安裝。	▶ 將可拆式電源線確實連上機具。

9 廢棄設備處置

Hilti機具或設備所採用的材料大部分均可回收再利用。材料在回收前必須正確地分類。在許多國家中，您可以將舊機具及設備送回Hilti進行回收。詳情請洽Hilti維修中心，或當地Hilti代理商。



- ▶ 請勿將機具、電子設備或電池當作一般家用廢棄物處理！

10 RoHS (有害物質限制指令)

按一下本連結可前往危險物質表：qr.hilti.com/r6025050。
 您可在文件最後找到QR碼格式的RoHS表連結。

11 製造商保固

- ▶ 如果您對於保固條件有任何問題，請聯絡當地Hilti代理商。



1 文档信息

1.1 关于该文档

- 首次操作或使用前，请先阅读本文档。这是安全、无故障地操作和使用产品的前提条件。
- 请遵守本文档中以及产品上的安全说明和警告。
- 请务必将本操作说明与本产品保存在一起，确保将操作说明随产品一起交给他人。

1.2 使用符号的说明

1.2.1 警告

警告是为了提醒您在处理或使用此产品时会发生的危险。使用以下信号词：



危险！

- ▶ 用于让人们能够注意到会导致严重身体伤害或致命的迫近危险。



警告！

- ▶ 用于提醒人们注意可能导致严重或致命伤害的潜在危险。



小心！

- ▶ 用于提醒人们注意可能导致轻微人身伤害、设备损坏或其他财产损失的潜在危险情形。

1.2.2 文档中的符号

本文档中使用下列符号：

	请在使用之前阅读操作说明。
	使用说明和其他有用信息
	处理可回收材料
	不得将电气设备和电池作为生活垃圾处置

1.2.3 图示中的符号

图示中使用了下列符号：

	这些编号指本操作说明开始处的相应图示。
	图示中的编号反映操作顺序，可能与文本中描述的步骤不同。
	概览图示中使用了项目参考号，该参考号指的是产品概览部分中使用的编号。
	这些符号旨在提醒您在操作本产品时要特别注意的某些要点。

1.3 取决于产品的符号

1.3.1 产品上的符号

产品上使用下列符号：

	保护等级 II (双重绝缘)
	维护指示灯



1.4 产品信息

产品设计适用于专业用户，只有经过专门训练的授权人员才允许操作、维修和维护本产品。必须将任何可能的危险专门告知该人员。不按照既定用途使用或由未经培训的人员不正确地使用本产品及其辅助设备可能会带来危险。

型号名称和序列号印在铭牌上。

在下表中填写序列号。在联系 Hilti 维修中心或当地 Hilti 机构询问产品时，将要求您提供产品的详细信息。

产品信息

破碎机	TE 2000-AVR
分代号	01
序列号	

1.5 符合性声明

按照我们单方面的责任，我们声明本产品符合下列适用指令和标准：一致性声明副本位于本文档结尾处。

技术文档在此处归档：

Hilti Entwicklungsgesellschaft mbH | Tool Certification | Hiltistrasse 6 | 86916 Kaufering, Germany

2 安全

2.1 一般电动工具安全警告

警告

请阅读所有安全警告和操作说明。不遵守安全警告和操作说明可能会导致电击、火灾和/或严重人身伤害。请保存所有安全警告和操作说明，以供将来参考。

工作区域安全

- ▶ 保持工作区域清洁和良好照明。杂乱和黑暗的区域容易导致事故。
- ▶ 不要在爆炸性环境中操作电动工具，例如有易燃液体、气体或灰尘。电动工具会产生可以点燃这些灰尘或烟雾的火花。
- ▶ 在操作电动工具时，要令儿童和旁观者远离工作现场。万一分心，可能会使您失去对电动工具的控制。

电气安全

- ▶ 电动工具 (设备) 插头必须匹配电源插座。切勿以任何方式改动插头。对于接地的电动工具 (设备)，不要使用任何适配器插头。使用未经改动的插头和匹配的电源插座可以大大减少电击危险。
- ▶ 避免人体接触接地表面，如管道、散热片和冰箱。如果您的身体接地，则会增加电击危险。
- ▶ 不要将电动工具暴露在雨水或潮湿环境中。电动工具进水将会增加电击危险。
- ▶ 不要滥用电缆。切勿使用电缆运送、拉动或拔出电动工具。保持电缆远离高温、油、锋利边缘或运动部件。电缆损坏或缠绕会增加电击危险。
- ▶ 当在户外操作电动工具时，应使用经认可适合户外操作的加长电缆。使用适合户外使用的电缆可减少电击危险。
- ▶ 如果在潮湿环境下操作电动工具是不可避免的，应使用剩余电流动作保护器 (RCD)。使用 RCD 可减小电击危险。

人身安全

- ▶ 保持警觉，注意您正在进行的工作，并在操作电动工具的过程中，应利用自己的判断能力。当您疲劳或受到药物、酒精或医疗影响时，请不要使用电动工具。当操作电动工具时，瞬间的分心都可能导致严重的人身伤害。
- ▶ 使用个人防护装备。一定要戴上护目装置。防尘罩、防滑安全鞋、安全帽或用于适当情况下的听觉防护装置等防护装备可减少人身伤害。
- ▶ 防止电动工具意外启动。在连接电源、拿起或运送工具前，确保开关处于关闭位置。将手指放在开关上搬运电动工具或在开关处于“打开”位置时接通电源，都可能会导致事故发生。
- ▶ 在打开电动工具之前，必须拿掉任何调整键或扳手。让扳手或调整键留在电动工具的旋转部件上可能会导致人身伤害。
- ▶ 不要操之过急。应时刻保持正确的站姿和平衡。这在意外情况下能够更好地控制电动工具。
- ▶ 应正确穿着。不要穿着松垮的衣服或佩戴首饰。让头发、衣服和手套远离运动部件。松垮的衣服、首饰或长发会卡在运动部件中。
- ▶ 如果提供有助于连接除尘和集尘设施的装置，应确保将它们连接好并正确使用。使用除尘装置可以减少与灰尘相关的危险。



电动工具的使用和维护

- ▶ 不要强制使用电动工具。针对您的应用场合使用正确的电动工具。正确的电动工具在其额定设计值范围内将能够更好和更安全地工作。
- ▶ 如果通过开关不能使其打开和关闭，则请不要使用电动工具。任何不能通过开关进行控制的电动工具都是危险的，必须对其进行修理。
- ▶ 进行任何调节、更换配件或存放电动工具之前，先将电动工具上插头与电源断开。此预防性安全措施可减少意外启动电动工具的危险。
- ▶ 将不用的电动工具存放在儿童拿不到的地方，并且不要让不熟悉电动工具或其操作说明的人员操作电动工具。未经培训的用户操作电动工具是危险的。
- ▶ 维护电动工具。检查是否存在运动部件失调或卡滞、部件断裂和任何其它影响电动工具操作的情况。如果存在损坏，则在使用之前应修理电动工具。许多事故都是由于电动工具维护不良造成的。
- ▶ 保持切削工具锋利和清洁。带锋利切削刃的切削工具如果维护得当，很少会发生卡滞且更容易控制。
- ▶ 按照使用说明书，考虑作业条件和进行的作业来使用电动工具、附件和工具的刀头等。将电动工具用于指定用途以外的场合会导致危险。

保养

- ▶ 将您的电动工具送交专业维修人员，使用同样的备件进行修理。这样才可确保维持电动工具(设备)的安全性。

2.2 锤钻安全警告

- ▶ 戴好耳罩。暴露在噪声中会引起听力损伤。
- ▶ 使用随工具提供的辅助手柄。操作失手会引起人身伤害。
- ▶ 在切削附件可能触及暗线或其自身软线之处进行操作时，要通过绝缘握持面来握持工具。切削附件碰到带电导线会使工具外露的金属零件带电从而使操作者受到电击。

2.3 破碎机的其它附加安全说明

人身安全

- ▶ 只有产品处于良好的技术状态时才能使用。
- ▶ 不得以任何方式篡改或改动本工具。
- ▶ 当对天花板、墙壁和地板进行凿边时，请务必确保采用安全、稳妥的工作姿势。突然的穿透操作会影响您的身体平衡！
- ▶ 在需要穿透的待加工工件的对侧采取适当的安全措施。被钻下的工件部分可能会弹出或掉落并伤害到其他人。
- ▶ 当使用本电动工具时，您和附近的任何其他人员都必须戴上适当的护目装置、安全帽、护耳装置、防护手套和呼吸防护装置。
- ▶ 更换配件工具时，戴上防护手套。触碰配套工具会导致割伤和烫伤。
- ▶ 请戴上护目装置。飞溅的碎片会导致身体和眼睛受伤。
- ▶ 在开始工作之前，应测定工作时会产生的粉尘的危险等级。使用具有官方认可防护等级的工业真空吸尘器，并遵守当地适用的粉尘防护规定。一些材料产生的粉尘(例如含铅油漆、某些类型的木材以及含有石英、矿物或金属的混凝土/砖石/石块)可能对人体健康有害。
- ▶ 确保工作场所通风良好，必要时佩戴适用于产生的灰尘类型的呼吸器。接触或吸入这些粉尘可能会导致操作者或旁观者出现过敏性反应和/或呼吸类疾病。某些种类的灰尘还属于致癌物质，例如橡木和山毛榉木灰尘，特别是在带木材调节添加剂(铬酸盐、木材防腐剂)时。含石棉的材料只能由专业人员进行处理。
- ▶ 抽出时间休息并做体育锻炼，改善手指的血液循环状况。工作期间长时间暴露于振动环境可能导致手指、手掌和手腕部位血管和神经系统紊乱。

电气安全

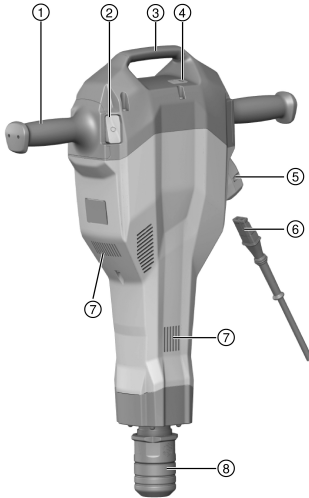
- ▶ 开始工作之前，检查工作区域是否有隐蔽的电缆或天然气和水管。如果您意外损坏了电缆，电动工具的外部金属部件可能带电，带来电击风险。

小心操作和使用电动工具

- ▶ 直至电动工具完全停止才可将其放下。



3.1 TE 2000-AVR 概述



- ① 把手
- ② “打开/关闭”开关
- ③ 手提把手
- ④ 维护指示灯
- ⑤ 电动工具上的插座
- ⑥ 可拆卸电源线
- ⑦ 通风口
- ⑧ 夹头

3.2 预期用途

所述产品为手持式电动破碎机。它设计用于混凝土、砖石和沥青等材料的凿边作业。也可将其用于挖掘和压实。

只有所连接电源的电压和频率符合本工具铭牌上给出的信息时，才能使用本工具。

3.3 可预见的误用

- 电动工具只能用于干燥环境。
- 不要将电动工具用于存在火灾和爆炸危险的地方。
- 不允许使用对健康有害的材料 (例如石棉)。

3.4 Active Vibration Reduction

本工具配备有 Active Vibration Reduction (AVR) 系统，能够显著减小振动。

3.5 维护指示灯

破碎机配备了一个维护指示灯 LED。

状态	含义
维护指示灯呈红色亮起。	维护间隔周期结束 - 到了该进行维护的时候。将产品返回至 Hilti 维修中心及时进行维修，以确保随时可以投入使用。 电动工具内已发生故障。
维护指示灯呈红色闪烁。	防止过热 电源提供的电压太高。



3.6 供货提供的部件：

电动破碎机、可拆卸电源线、操作说明、润滑脂。运输车作为配件提供。

您可以在您当地的 Hilti 中心或通过在线访问 www.hilti.group 找到批准用于您的产品的其它系统产品

4 技术数据

4.1 破碎机

有关额定电压、电流、频率和/或输入功率的详细信息，请参见各国特定的电动工具铭牌。

当通过发电机或变压器供电时，发电机或变压器的输出功率必须至少达到本电动工具铭牌上显示的额定输入功率的两倍。变压器或发电机的工作电压必须始终保持在在本电动工具额定电压的 +5% 和 -15% 范围内。

	TE 2000-AVR
重量 (按照 EPTA 程序 01)	14.5 kg
冲击速度	30 Hz
保护等级	II

4.2 噪音信息和振动值按照 EN 60745 标准

这些说明中给出的声压和振动值按照标准化测试的要求测得，可用于比较一种电动工具与另一种电动工具。它们还可用于初步评价受振动影响的程度。提供的数据代表本电动工具的主要应用。但是，如果将电动工具用于不同的应用、使用不同的配件工具或维护不良，则数据可能不同。这可能会显著增加操作者在整个工作期间受振动影响的程度。对受振动影响程度的准确估计还应考虑当关闭电动工具或当它运行但实际未进行工作时的情况。这可能会显著减小操作者在整个工作期间受振动影响的程度。此外，应确定附加安全措施，以保护操作者免受噪音和/或振动影响，例如：正确维护电动工具和配套工具、保持双手温暖、合理安排工作方式。

噪声排放值

测得的声功率级 (L_{WA})	97 dB(A)
质声功率级 ($L_{WA,d}$)	100 dB(A)
声音功率级的不确定性 (K_{WA})	3 dB(A)
排放声压级 (L_{pA})	77 dB(A)
声压级的不确定性 (K_{pA})	3 dB(A)

振动值

凿边 ($a_{h, Chreq}$)	4.8 m/s ²
不确定性 (K)	1.5 m/s ²

5 操作

5.1 工作现场的准备工作



人身伤害的危险！产品意外启动。

- ▶ 对电动工具进行任何调节前或更换配件前，先拔出电源线插头。

请遵守本文档中以及产品上的安全说明和警告。

5.1.1 将电源线连接至电动工具

可释放插头仅可在清洁、干燥和无电压 (例如，断开了电源) 条件下连接至本产品。插头采用键配合。

1. 从纸板盒中取出电源线。
2. 将插头插入工具，轻轻推入，直至听到其接合时发出“咔嚓”的声音。
3. 将电源线插头插入电源插座。



5.1.2 安装配件工具

1. 从电源插座上拔掉电源线插头。
2. 稍稍润滑配件工具的连接端。
 - ▶ 请仅使用 Hilti 提供的推荐润滑脂。使用错误的润滑脂可能会导致工具损坏。
3. 将配件工具推入夹头中并推到底，转动并施加轻微的压力，直至听到其接合时发出“咔哒”的声音。
4. 通过抓住并拉动凿子，检查并确认其已正确接合。

5.1.3 拆卸配套工具

-小心-

人身伤害的危险！配套工具可能会发烫或边缘很锋利。

- ▶ 更换配套工具时，戴上防护手套。
- ▶ 切勿将发烫的配套工具放在易燃表面上。

1. 从电源插座上拔掉电源线插头。
2. 将配套工具固定杆尽可能向后拉回。
3. 拆卸配套工具。

5.2 工作类型

-警告-

电击风险！如果试图在不带接地导线以及未正确连接接地故障断路器的情况下操作工具，则会导致严重受伤和烫伤。

- ▶ 不论使用的是主电源还是发电机电源，应始终确保电源中带有接地导线且已正确连接接地故障断路器。
- ▶ 除非这些安全措施到位且完全起作用，否则请勿使用本产品。

-警告-

损坏的电源线会构成危险！在工作时，不要接触已损坏的电源线或加长电缆。将电源线插头从电源插座上断开。

- ▶ 定期检查设备的电源线，如果发现损坏，则让有资格的专业人员进行更换。

在开始工作之前，必须获得现场工程师或建筑师的完全批准。

5.2.1 凿边

1. 将电源线插头插入电源插座。
2. 将凿子尖端定位在期望的位置。
3. 按下“打开/关闭”开关。



在低温下工作时：

锤击机构仅在电动工具已达到最低工作温度时才会工作。使凿子与工件接触并允许电动工具在无负荷条件下运行，直至达到所需的温度。必要时，可重复此步骤，直至锤击机构开始工作。

5.2.2 关闭

1. 按下“打开/关闭”开关。
2. 从电源插座上拔掉电源线插头。

5.2.3 电动工具的使用



可以将凿子调整至 6 个不同位置 (以 60° 为增量)。这样可确保总是可以将平头和成形凿子设置到最佳工作位置。

- ▶ 使凿子接近工件至距离工件边缘约 80 - 100 mm (3 1/8" - 4")。
- ▶ 在钢筋附近工作时，应始终将凿子的尖端引向工件的边缘，而非引向钢筋。
- ▶ 在凿子与混凝土表面成 70° 至 80° 时开始工作，并令凿子的尖端朝向工件边缘。随着凿子深入，逐渐将此角度增加到 90° 左右使材料破碎。
- ▶ 定时旋转凿子，帮助确保均匀的磨损并改进自磨工艺。
- ▶ 如果施加的压力不足，则凿子将会不受控制地跳动。如果施加的压力过大，则将会导致凿边性能损失。



6 运输车选装

6.1 运输

运输车有助于确保安全运输破碎机。

- 注意确保让运输车立在稳定可靠的位置。
- 将电动工具置于运输车的定位销上，并始终通过关闭固定杆将其固定，以便进行运输。
- 将凿子推送到提供的套筒中，直到其稳固接合。
- 运输时注意只能走安全的运送路线。
- 不得将运输车停在斜坡上。

7 维护和保养



-警告-

电击危险！ 如果试图在电源线连接电源插座的情况下执行保养和维护，则会导致严重受伤和烫伤。

- ▶ 执行维护和保养任务之前，请务必拔下电源线。

保养

- 仔细清除可能粘附在部件上的所有污垢。
- 使用干燥的刷子小心清洁通风孔。
- 请仅使用略湿的布清洁壳体。不要使用含硅清洁剂，否则可能腐蚀塑料件。

维护



-警告-

电击危险！ 电气部件的不当维修会造成包括灼伤在内的严重人身伤害。

- ▶ 工具或设备的电气系统只能由受过培训的电气专业人员进行维修。

- 定期检查所有可见部件和控制器是否出现损坏迹象，确保其全部正常工作。
- 如果发现损坏迹象或如果有部件发生故障，不要操作本产品。应立即送交 **Hilti** 维修中心进行维修。
- 清洁和维护之后，安装所有防护罩或保护装置，检查并确认其正常工作。



为确保安全和可靠的操作，仅限使用喜利得原装备件和消耗品。Hilti 批准用于配合产品使用的备件、消耗品和配件可到您当地的 **Hilti Store** 购买或通过以下网址在线订购：www.hilti.group。

8 故障排除

如果您碰到的问题未在此表中列出或您无法自己实施补救措施，请联系 **Hilti** 服务部门。

8.1 故障排除表

故障	可能原因	解决方案
电动工具不启动。	正在进行电子设备初始化 (连接电源后需要 4 秒钟)。	▶ 关闭电动工具然后再次打开。
	电源中断。	▶ 连接另一电气设备并检查它是否工作。
	电源线或插头有故障。	▶ 让经过培训的电气专业人员检查零件，必要时进行更换。
	发电机带睡眠模式	▶ 通过连接另一个耗电产品 (例如，工作灯) 给发电机施加负载。然后再次打开和关闭电动工具。
没有锤击作用。	电动工具过冷。	▶ 将电动工具预热到最低工作温度。
	电动工具内已发生故障。	▶ 应将电动工具交由 Hilti 维修中心修复。



故障	可能原因	解决方案
电动工具不启动或在运行过程中骤停，且指示灯呈红色闪烁。	临时故障 (例如过热或过电压)。	▶ 关闭，让电动工具冷却下来或将其连接至不同的电源。
电动工具运行但指示灯连续呈红色亮起。	需要进行维护的事前警告。	▶ 应将电动工具交由 Hilti 维修中心维护或修理。
电动工具不启动或在运行过程中骤停。	加长电缆过长和/或其截面积不足。	▶ 使用具有许可长度和/或足够截面积的加长电缆。
	可拆卸电源线没有正确连接。	▶ 将可拆卸电源线正确连接至电动工具。

9 废弃处置

大部分用于 **Hilti** 工具和设备生产的材料是可回收利用的。在可以回收之前，必须正确分离材料。在很多国家，您的旧工具、机器或设备可送至 **Hilti** 进行回收。敬请联系 **Hilti** 服务部门或您的喜利得公司代表获得更多信息。



- ▶ 不得将电动工具、电子设备或电池作为生活垃圾处置！

10 RoHS (有害物质限制)

单击链接跳转至有害物质表：qr.hilti.com/r6025050。

文档末尾提供跳转至 RoHS 表的二维码链接。

11 制造商保修

- ▶ 如果您有保修条件方面的问题，请联系您当地的 **Hilti** 公司代表。





Hilti Corporation
Feldkircherstraße 100
9494 Schaan | Liechtenstein

TE 2000-AVR (01)

2006/42/EC	EN 60745-1	EN 55014-1:2017+A11:2020
2014/30/EU	EN 60745-2-6	EN 55014-2:2015
2000/14/EC		EN 61000-3-2:2019
2011/65/EU		EN 61000-3-3:2013+A1:2019

Details to 2000/14/EC:

Measured sound power level L_{WA} :	97 dB/1pW
Guaranteed sound power level, L_{WAd} :	100 dB/1pW
Conformity assessment procedure:	2000/14/EC Annex VI
Authorized assessment office (0044)	TÜV NORD CERT GmbH
	Langemarckstr. 20
	45141 Essen, Germany

Schaan, 26.11.2020

Paolo Luccini

Head of Quality and Process Management
BA Electric Tools & Accessories

Tassilo Deinzer

Executive Vice President
Business Unit Power Tools & Accessories





Hilti Corporation
LI-9494 Schaan
Tel.:+423 234 21 11
Fax:+423 234 29 65
www.hilti.group



2154382