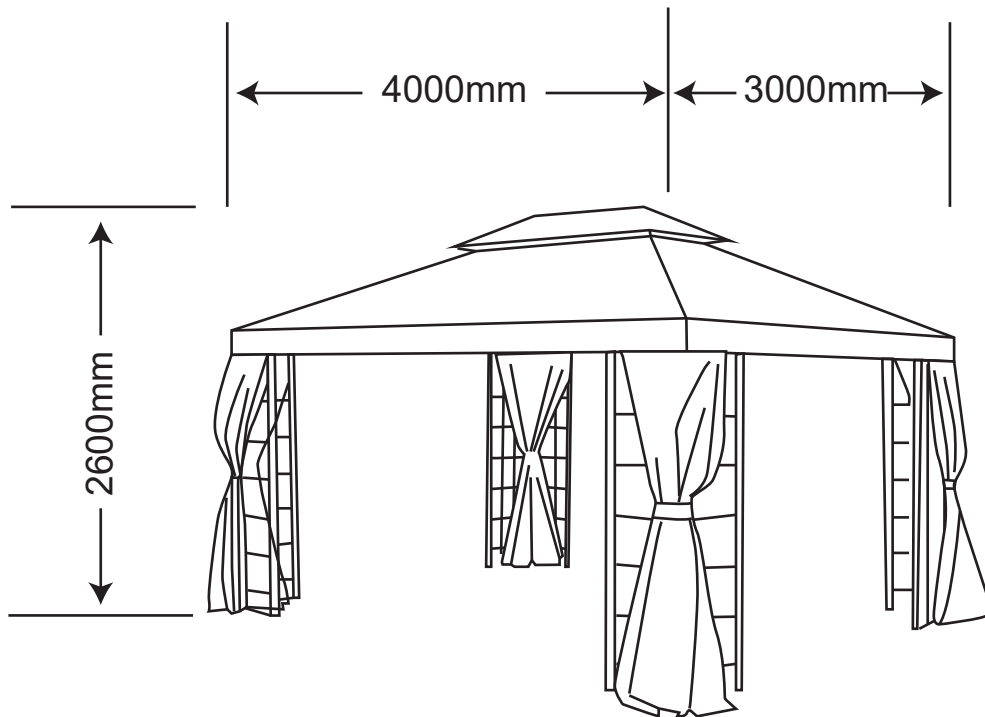




9845425

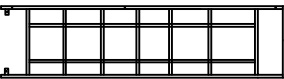
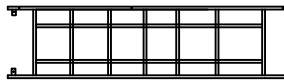


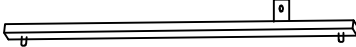
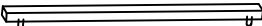
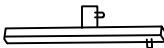


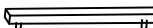
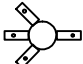
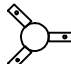

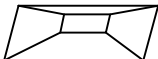
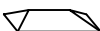

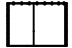


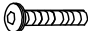


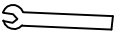
PARK BRINDISI PAVILLON 3X4 MTR



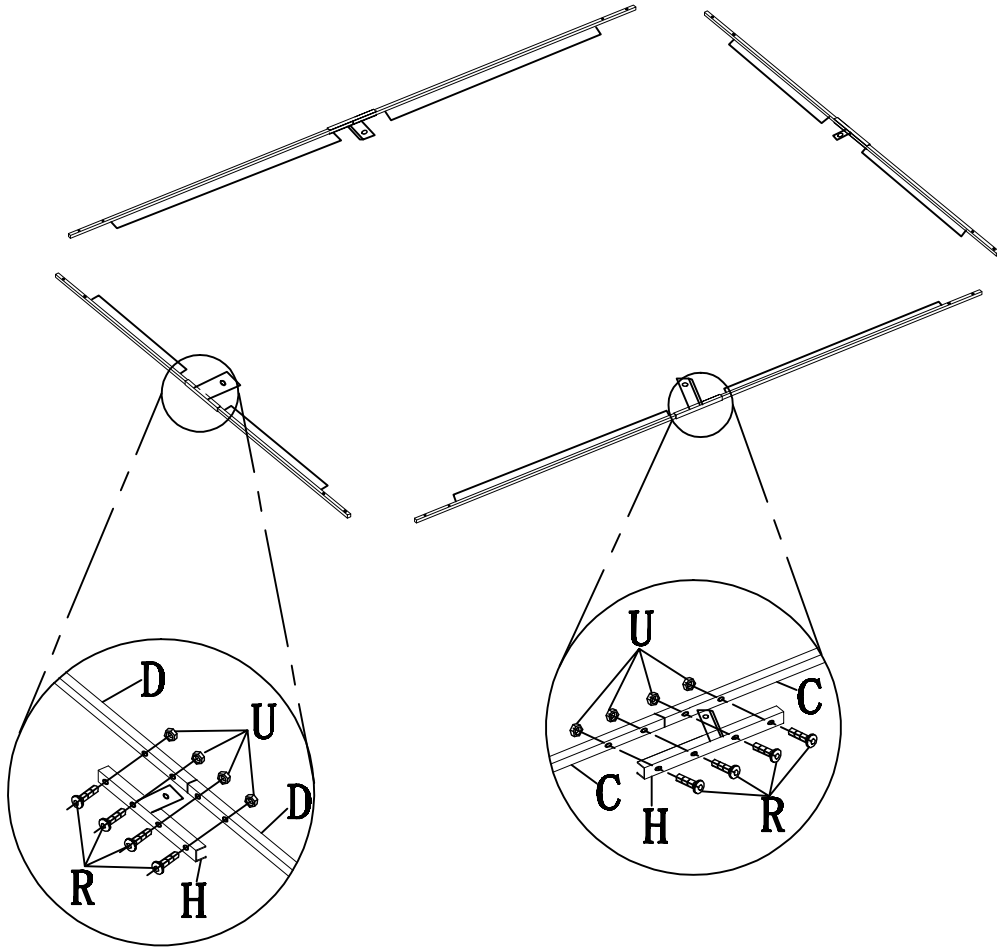
<p>DK:</p>	<p>Tillykke med dine nye havemøbler! For at dine nyindkøbte havemøbler holder sig flottest i lang tid, beder vi dig at læse denne manual grundigt inden samling og ibrugtagning af produktet. Opbevar manualen til senere brug. Trods at mange havemøbler markedsføres som 'Vedligeholdelsesfrie' anbefales overdækning med brug af PARK have-møbelovertræk under regnskyld.</p>
<p>GB:</p>	<p>Congratulations with your new garden furniture! Please read this assembly guide/manual before assembling/using this item. Follow this manual thoroughly and store it properly for later reference. Even though that some garden furniture are marketed as being 'carefree', we recommend to use PARK Havemøbelovertræk, whenever your garden furniture are exposed towards heavy rain falls.</p>
	

Vedligeholdelsesguide

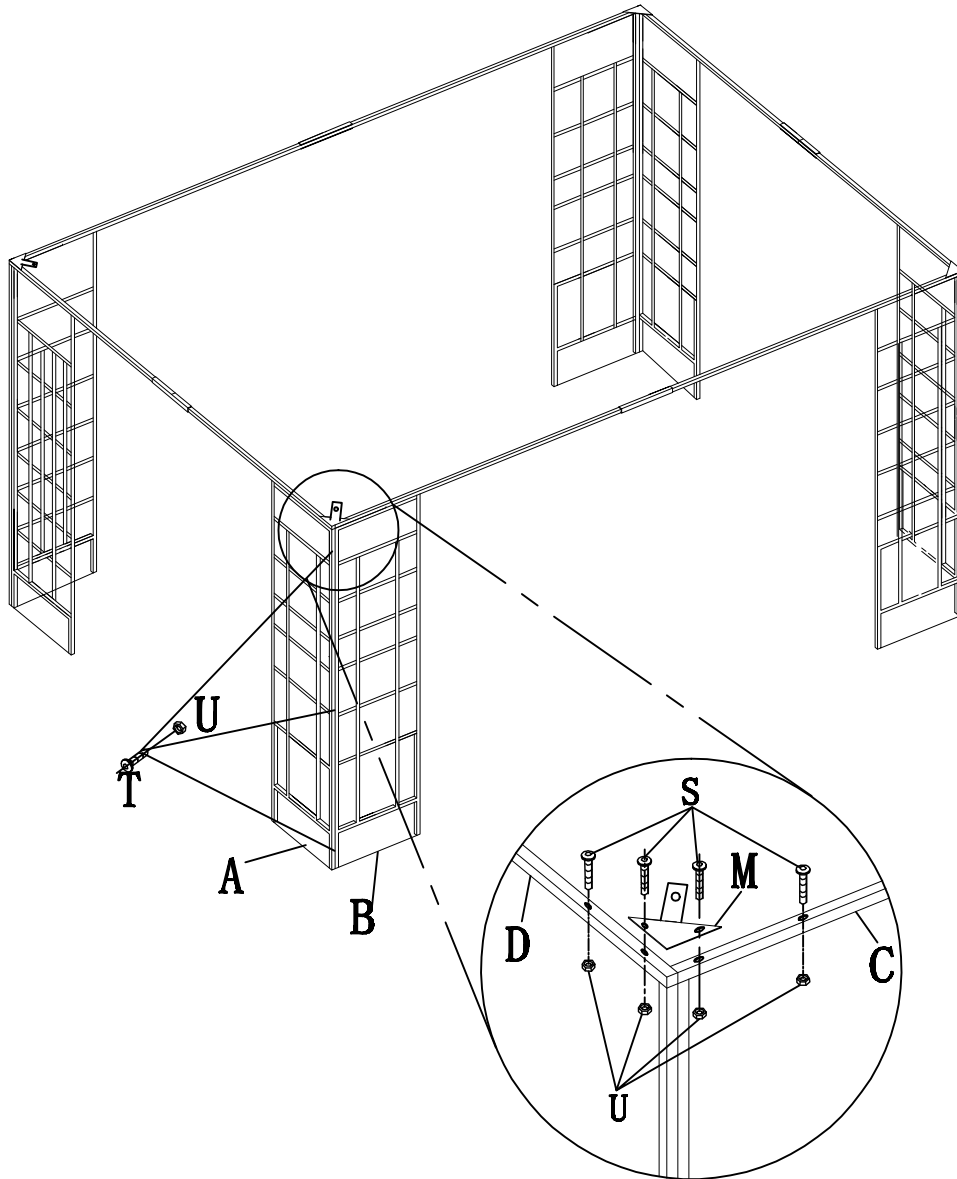
<p>Pavillon / Gazebo</p>	
<p>DK:</p>	<p>Til lettere rengøring af pavillonens dug anbefales brugen af en opvredet klud i en blid sæbeopløsning. Vigtigt! Pavillonen bør tages ned under kraftige regnskyld og i blæsevejr. Reklamationsretten omfatter ikke skader forårsaget af meget regn og blæst. Dugen er vandskyende, men ikke 100% vandtæt. Temperatursvingninger og fugt i luften kan medføre kondens, når pavillonen står opslået udenfor. Dette er normalt og betyder ikke at pavillonen er utæt. For at sikre lang holdbarhed bør Pavillonen opbevares indendørs uden for sæson, i et tørt, ventileret rum.</p>
<p>UK:</p>	<p>For cleaning we recommend a wrung cloth in a mild soap dispose. Caution! The Gazebo should be taken down in case of heavy rainfalls and stormy weather conditions. The warranty is not valid for any damages, caused by rain and windy weather. The fabric is water repellent, but not 100% water resistant. Changes in temperature and moist can lead to condensation, when the Gazebo is placed outside. This is normal and doesn't mean that the Gazebo is leaky. Storage out of season should take place in a dry, airconditioned/ventilated room, like basement, garage or similar place.</p>

A			4PCS
B			4PCS
C			4PCS
D			4PCS
E			4PCS
F			4PCS
G			4PCS
H			4PCS
I			1PCS
J			1PCS
K			2PCS
L			2PCS
M			4PCS
N			1PCS
O			1PCS
P			4PCS
Q			4PCS
R	 M6 × 30		16PCS
S	 M6 × 35		16PCS
T	 M6 × 50		12PCS
U			44PCS
	 		1PCS

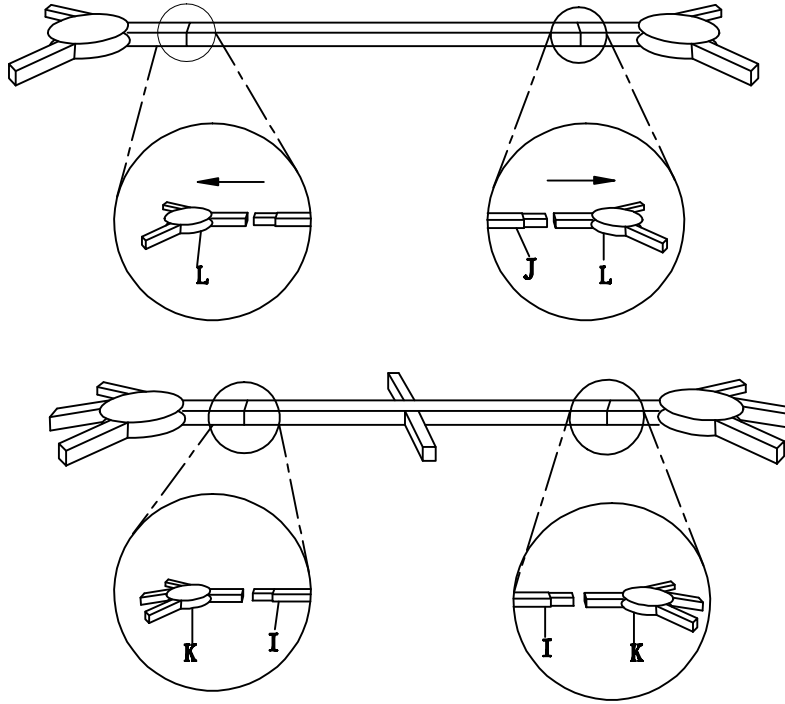
1



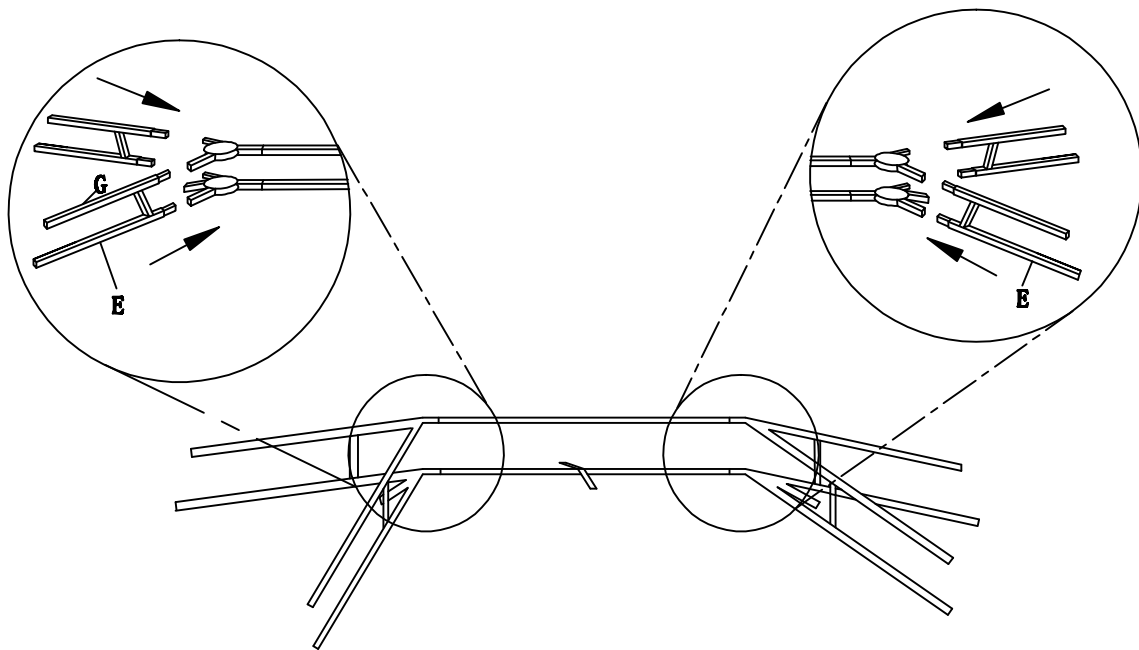
2



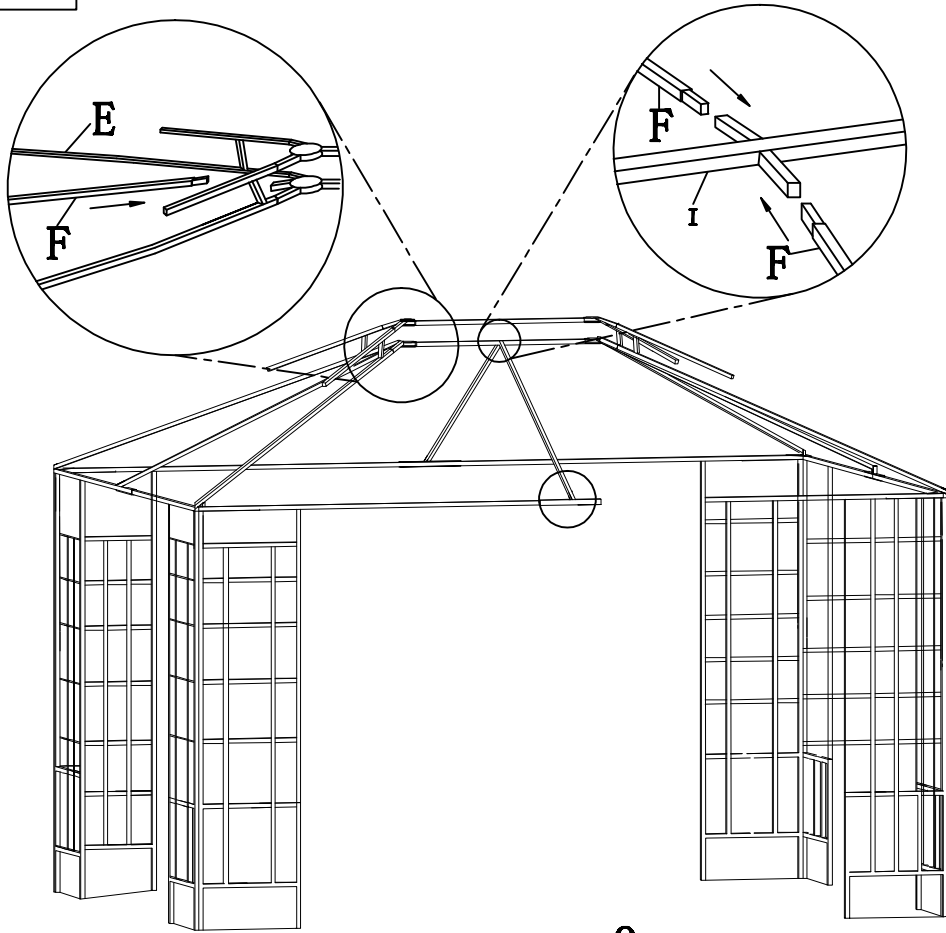
3



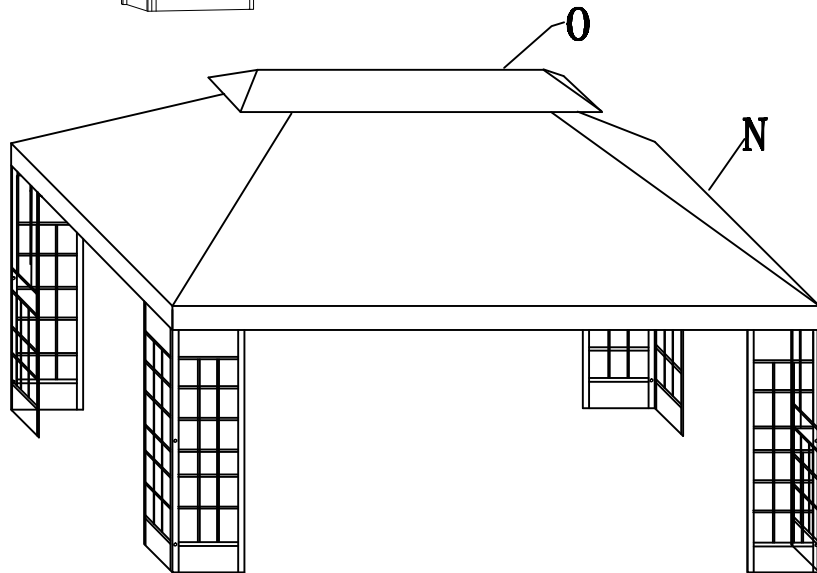
4



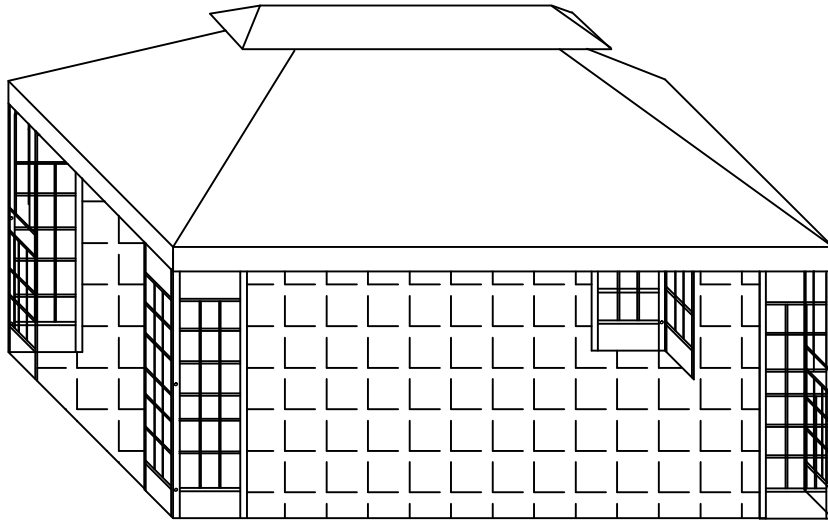
5



6

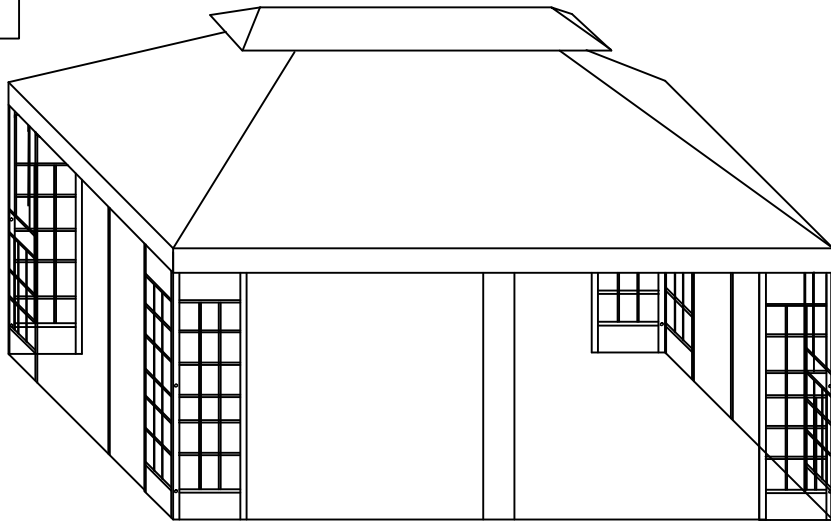


7



P

8



Q