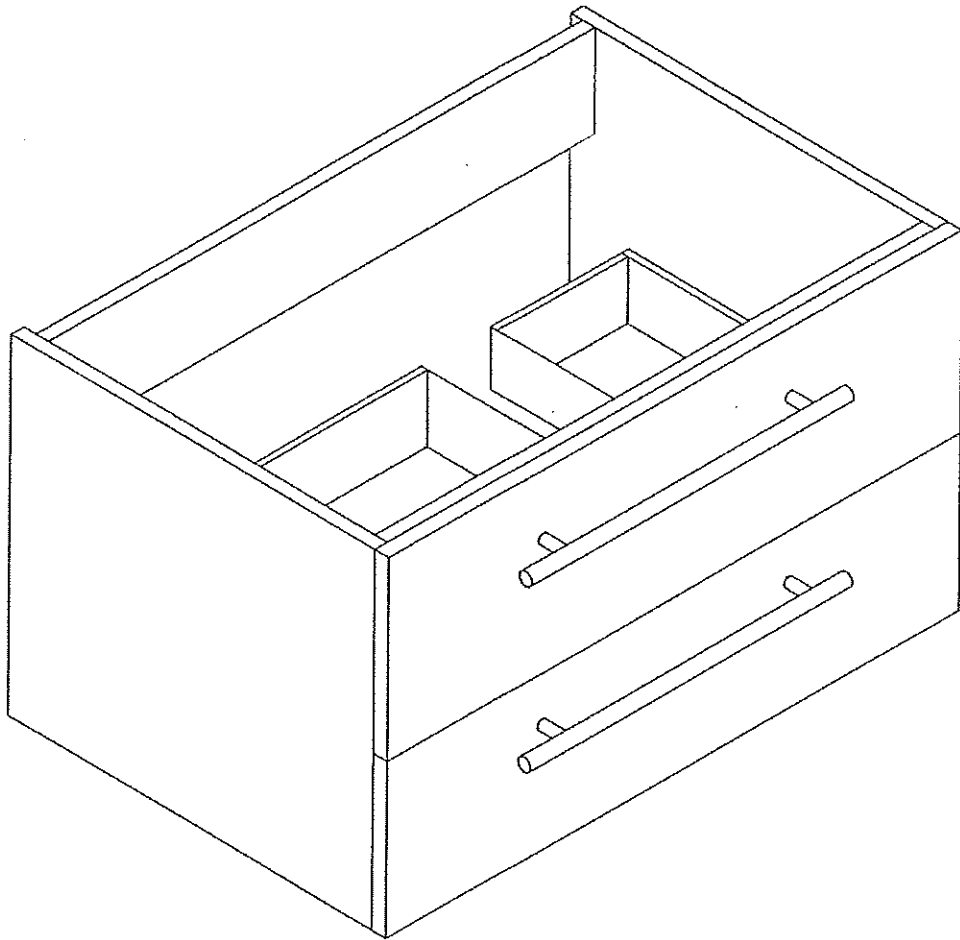
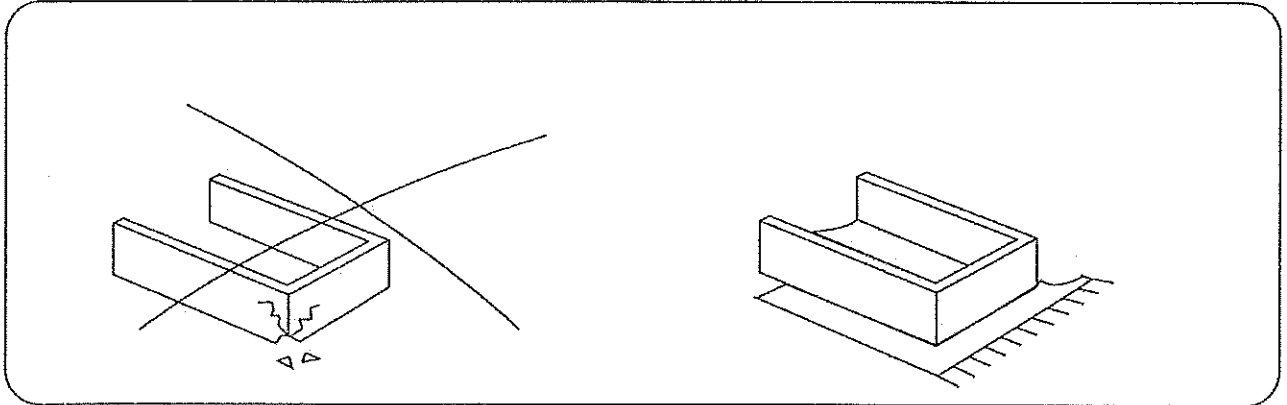
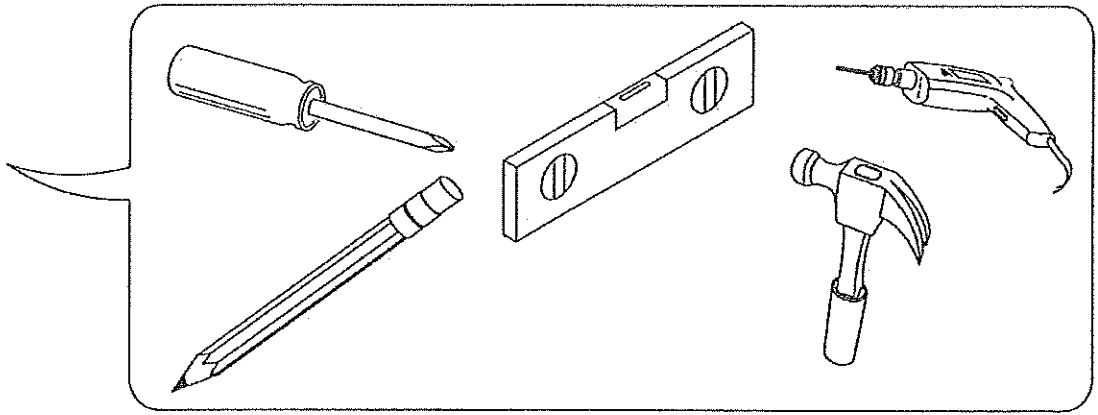
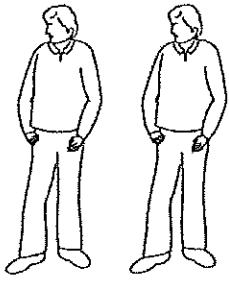


# VENICE





A



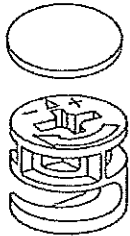
X 41

B



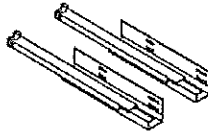
X 18

C



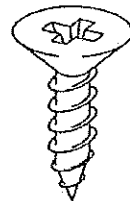
X 41

D



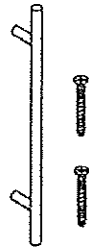
X 2

E



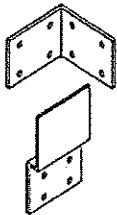
X 17

K



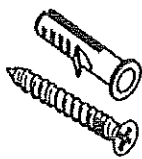
X 2

F



X 2

H



X 8

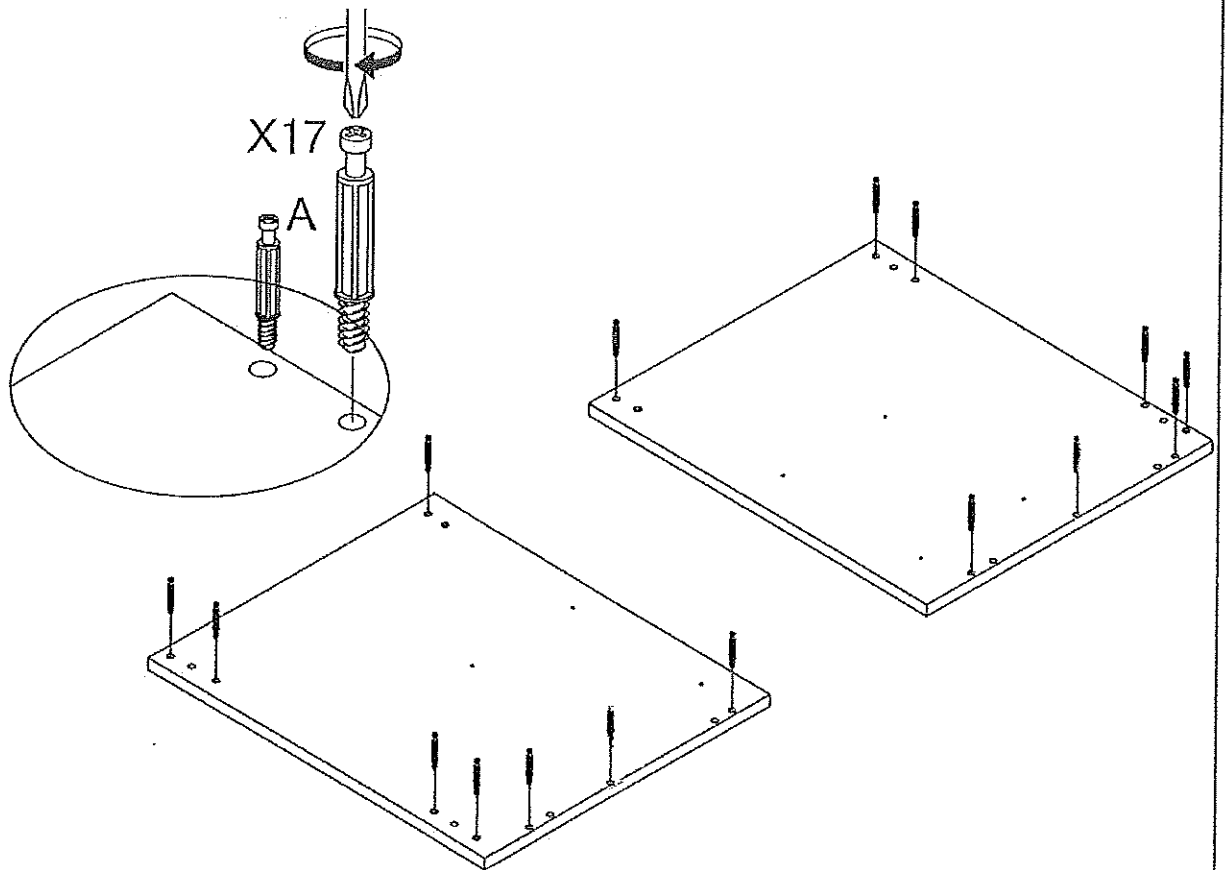
J



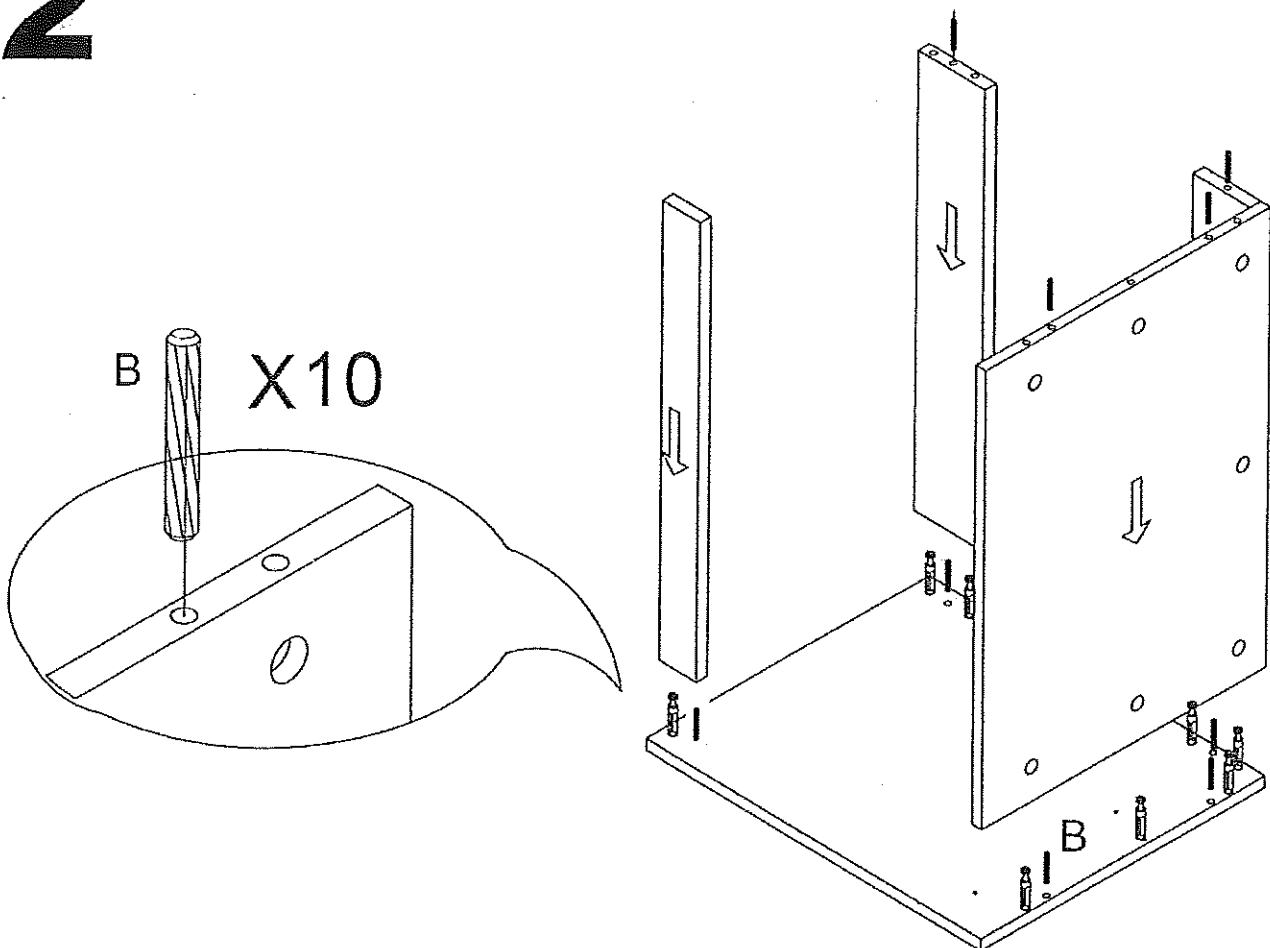
(4X25)

X 4

# 1

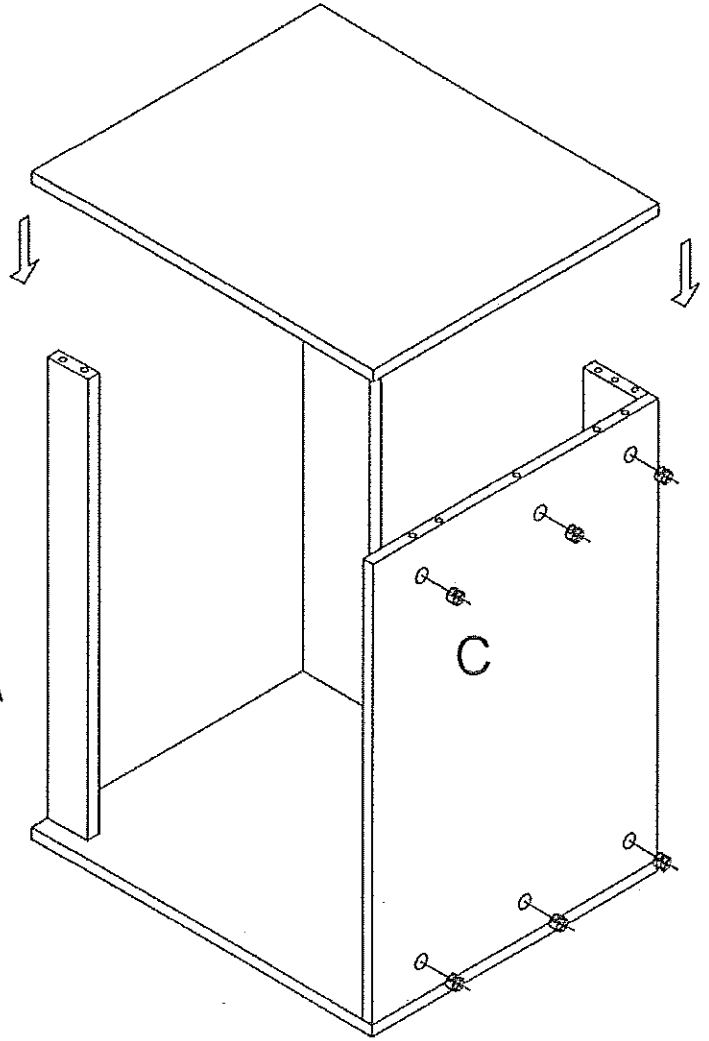
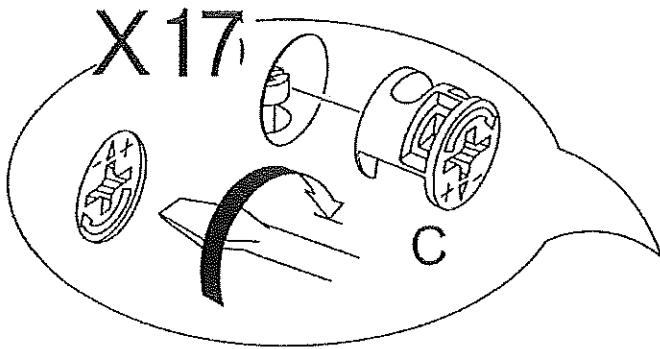


# 2

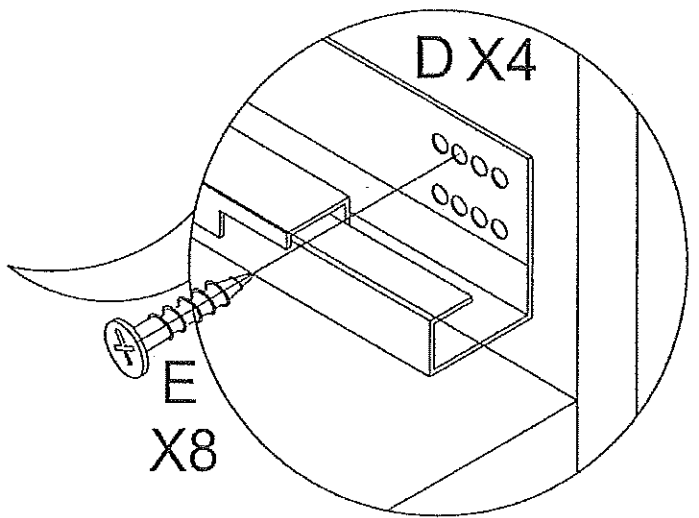
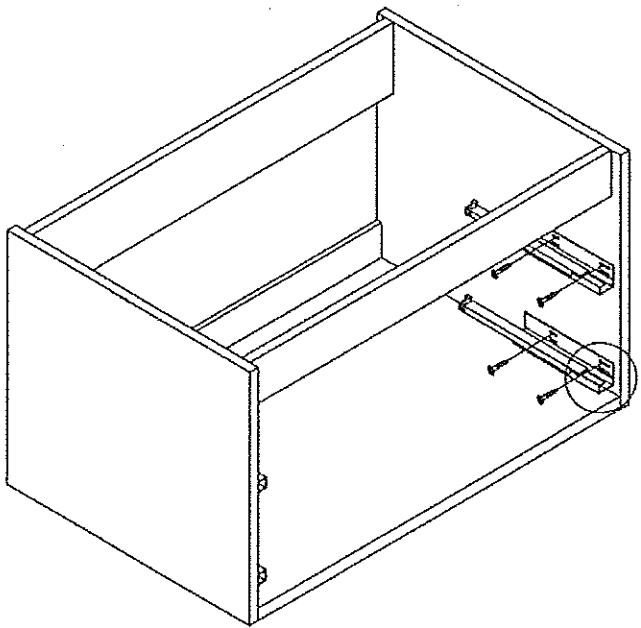


# 3

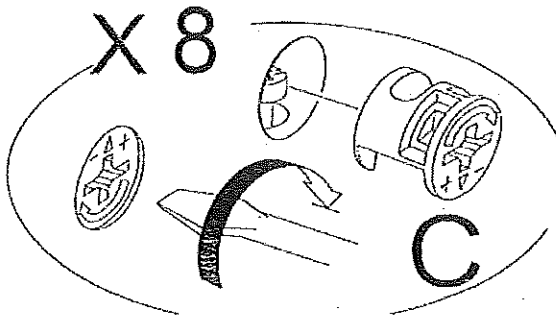
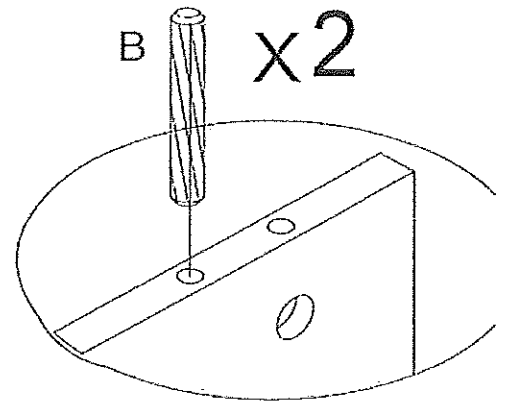
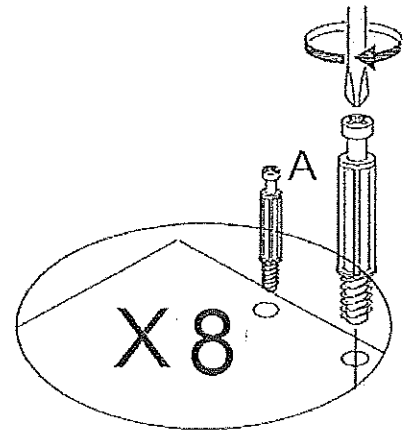
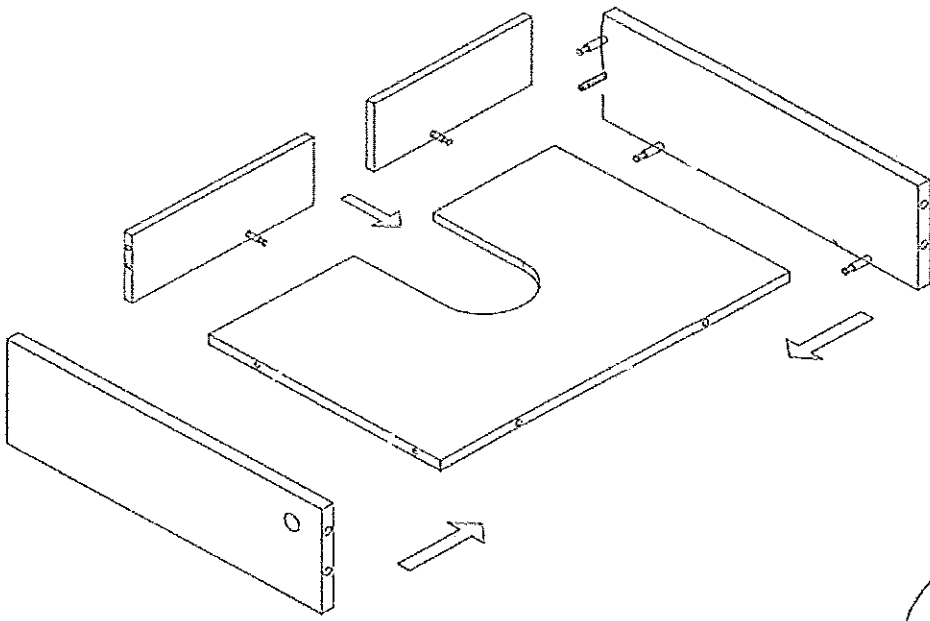
# 3



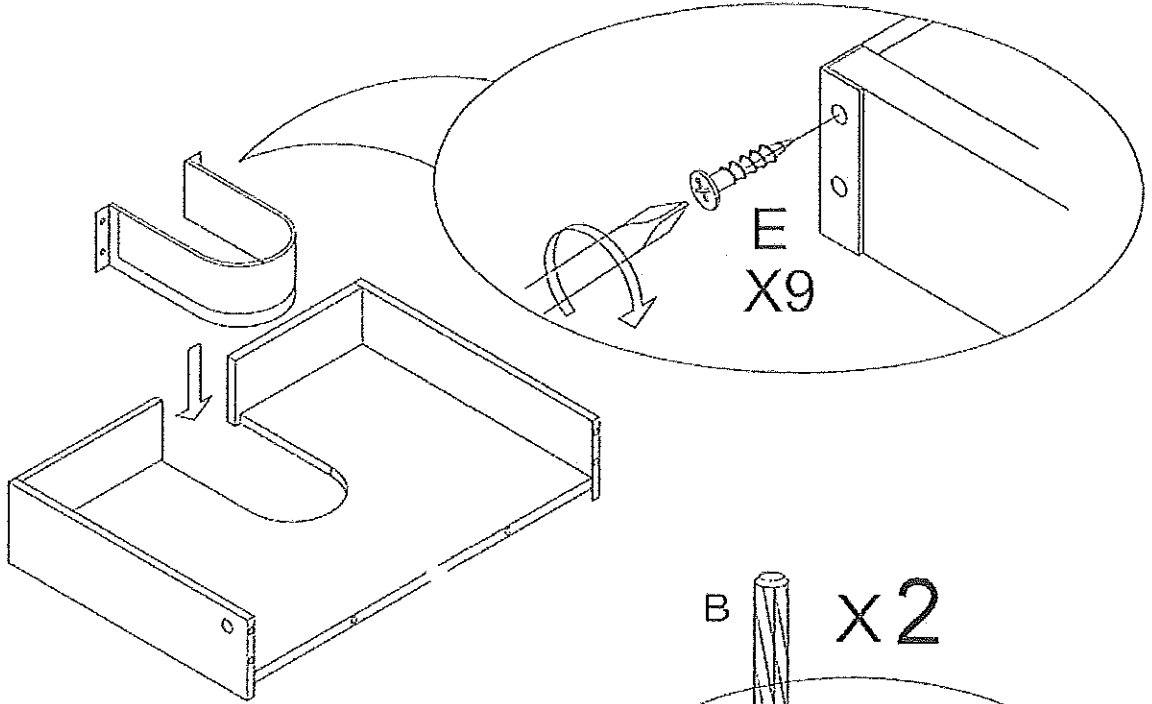
# 4



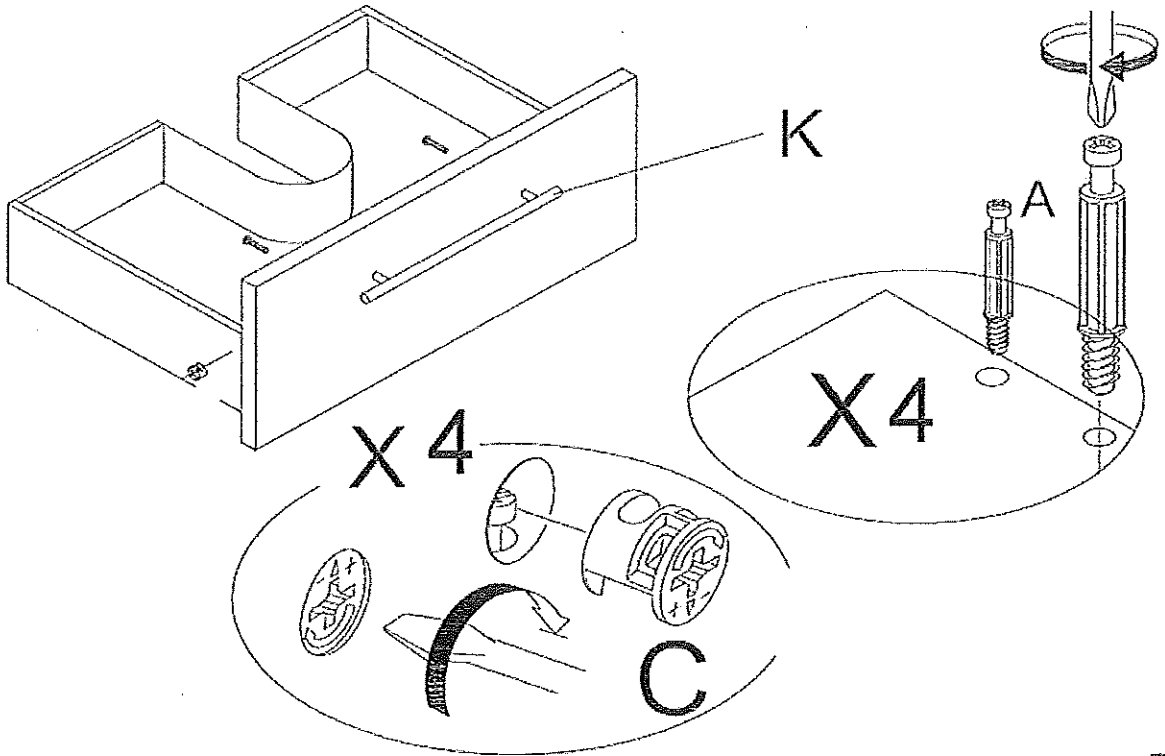
# 6



# 7

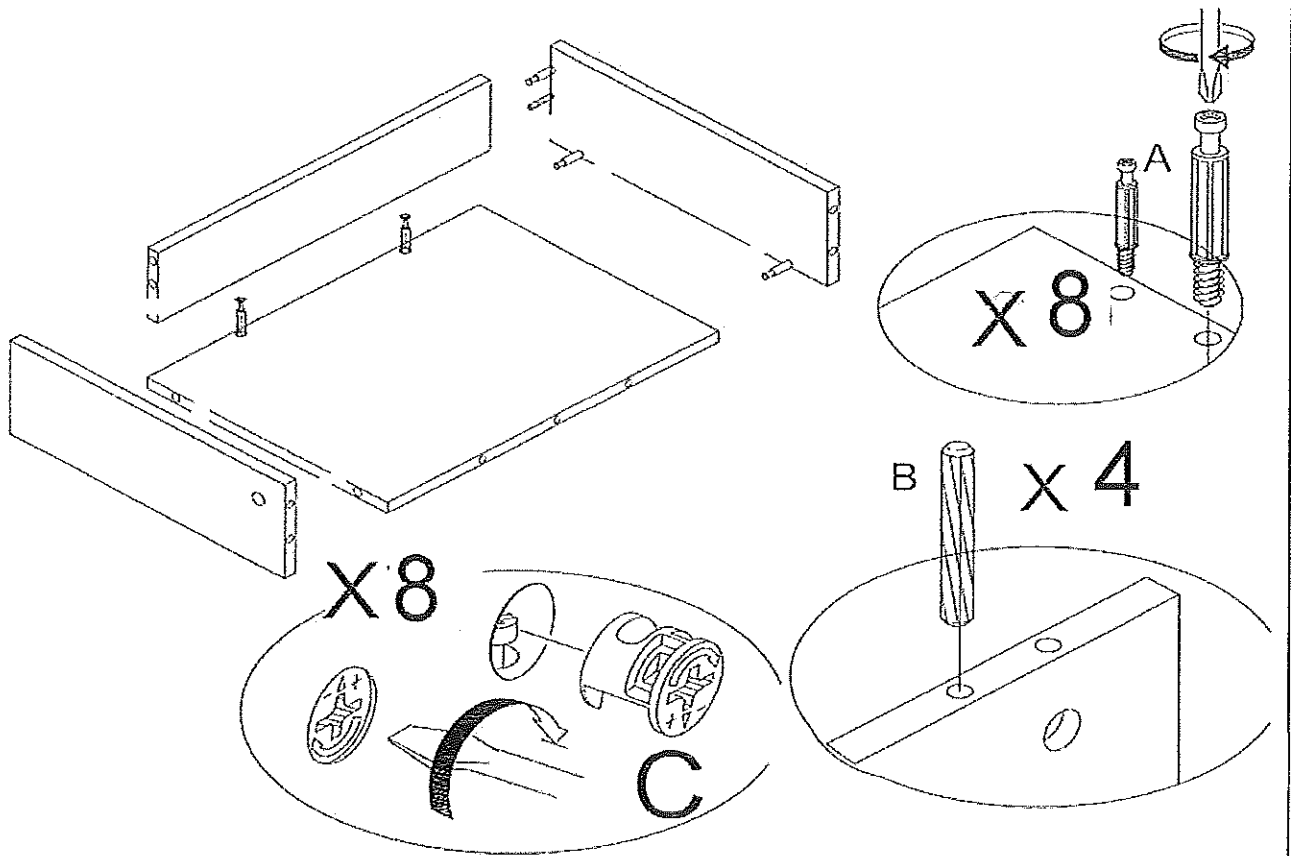


# 8

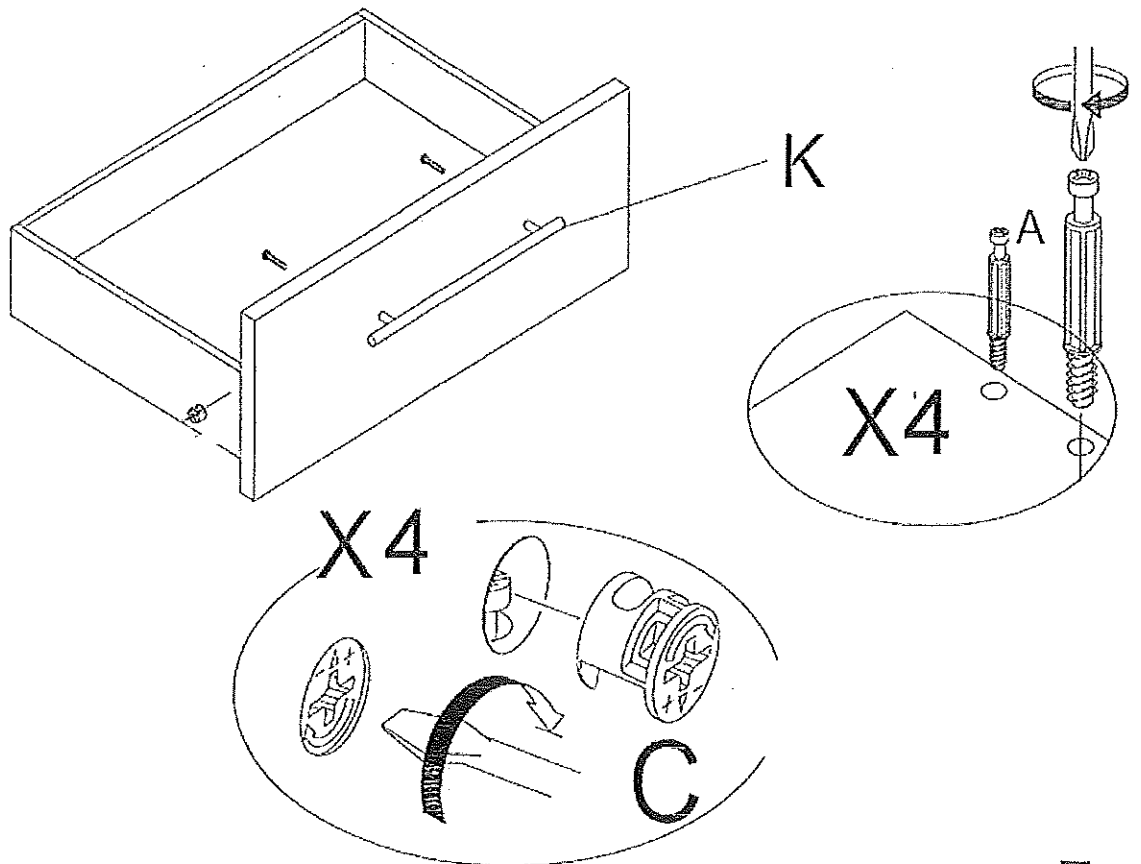


6

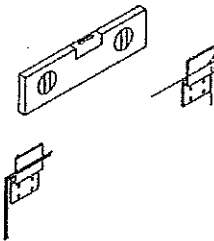
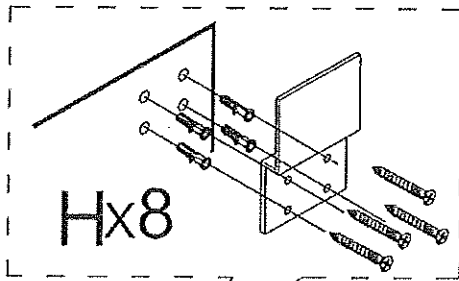
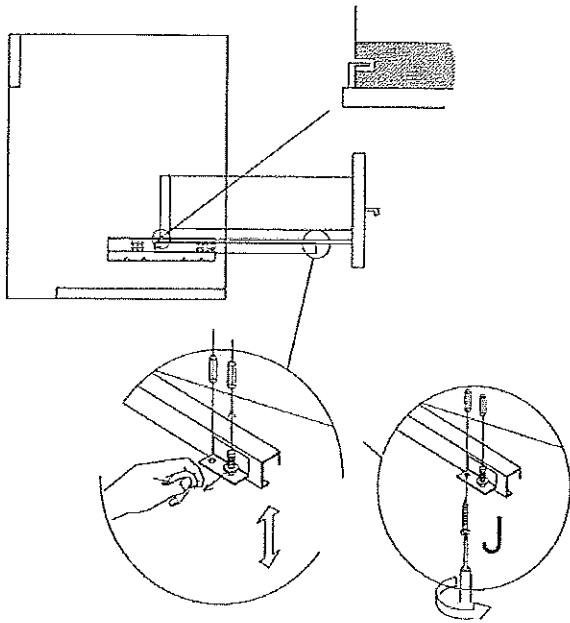
# 9



# 10



# 11



# 12

