
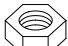
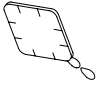
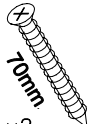
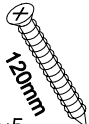
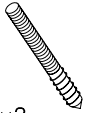

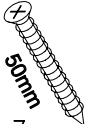
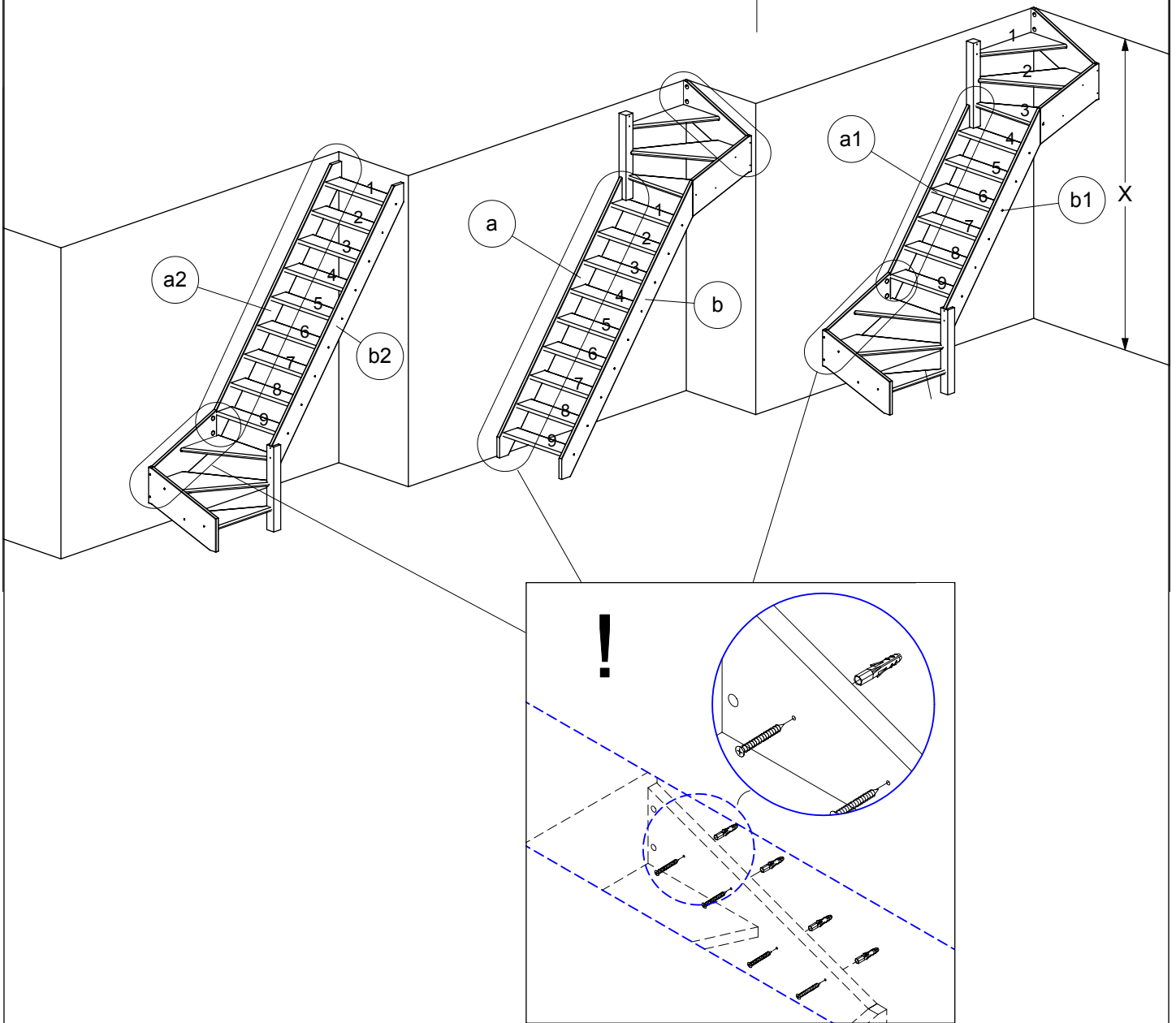


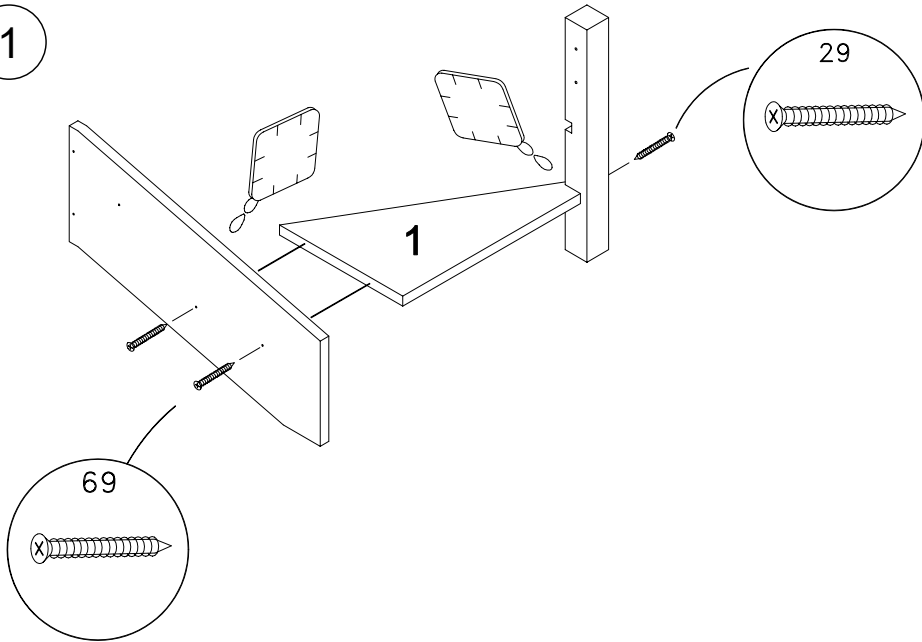
POS.3	POS.4	POS.15	POS.26	POS.29	POS.37	POS.67	POS.69
							
x2	x2	x1	x2	x5	x2	x4	x7

	X [mm]
6	1870 ... 2078
7	2078 ... 2286
8	2286 ... 2494
<b>9</b>	<b>2494 ... 2702</b>
10	2702 ... 2910
11	2910 ... 3118
12	3118 ... 3326
13	3326 ... 3534

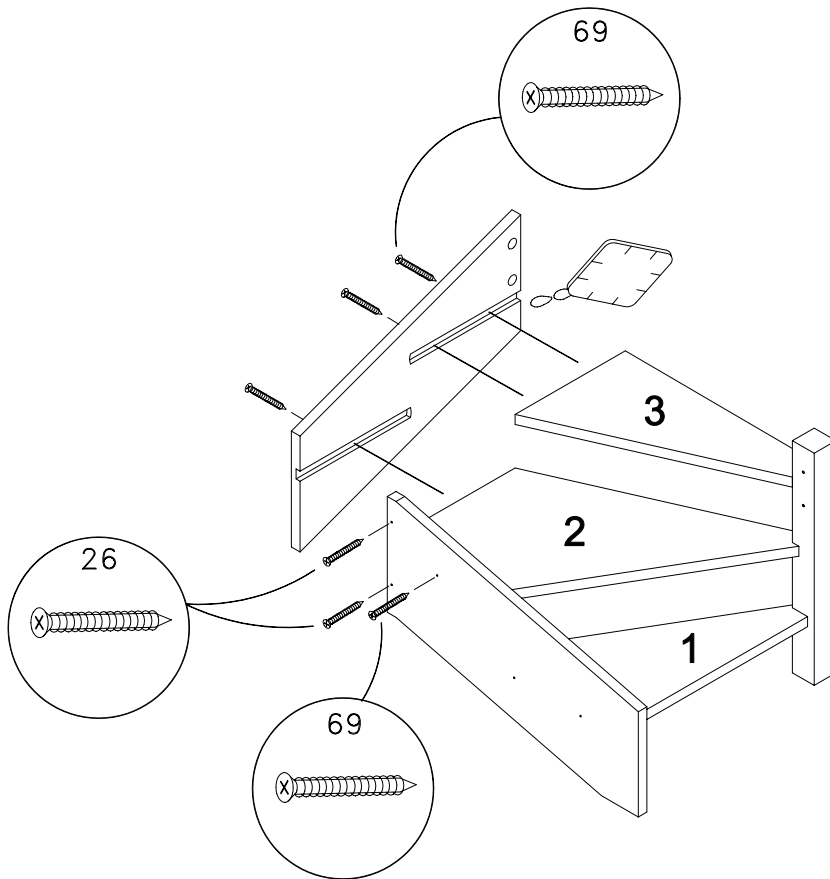
	X [mm]
6	1865 ... 2073
7	2073 ... 2281
8	2281 ... 2489
<b>9</b>	<b>2489 ... 2697</b>
10	2697 ... 2905
11	2905 ... 3113
12	3113 ... 3321
13	3321 ... 3529



1



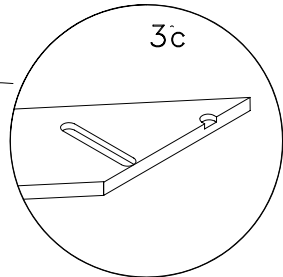
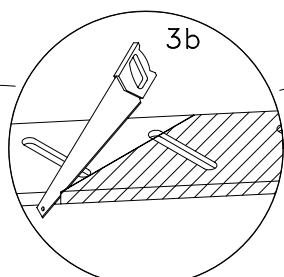
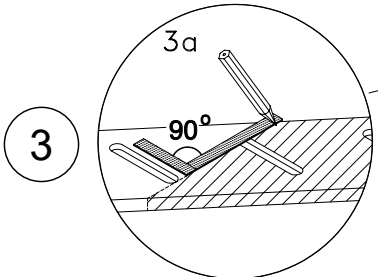
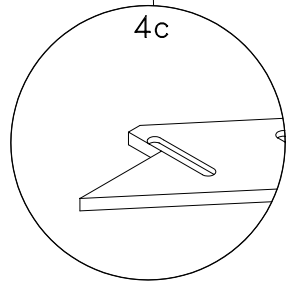
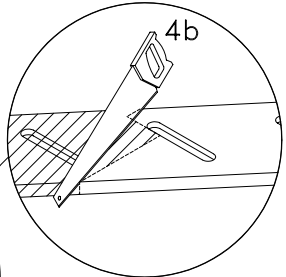
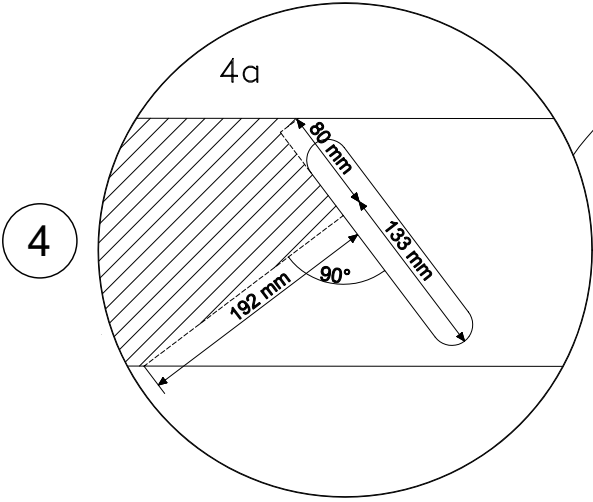
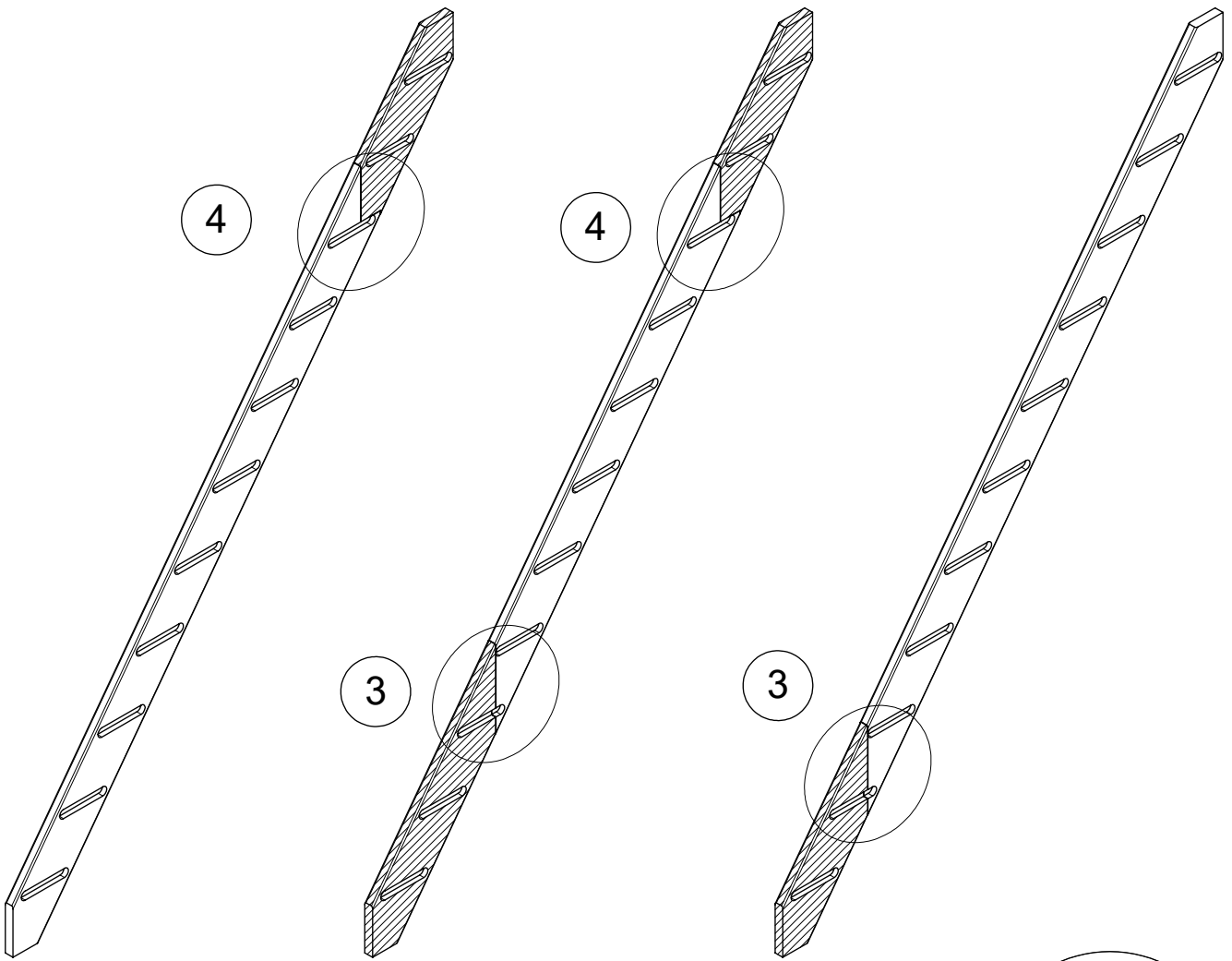
2



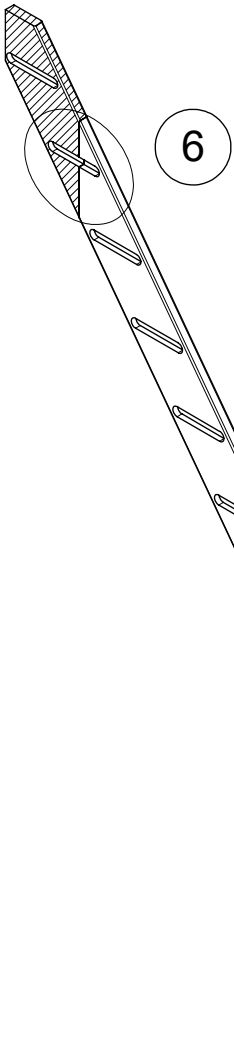
a

a1

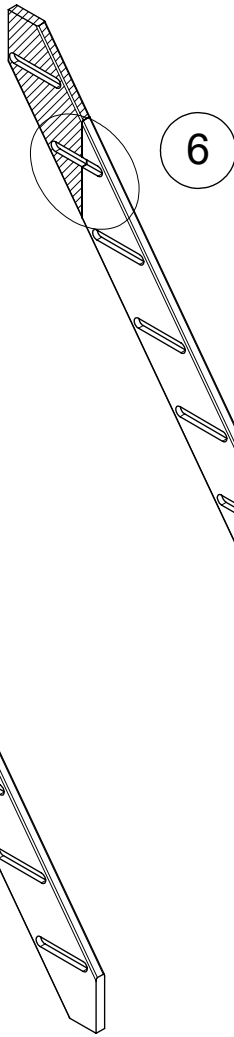
a2



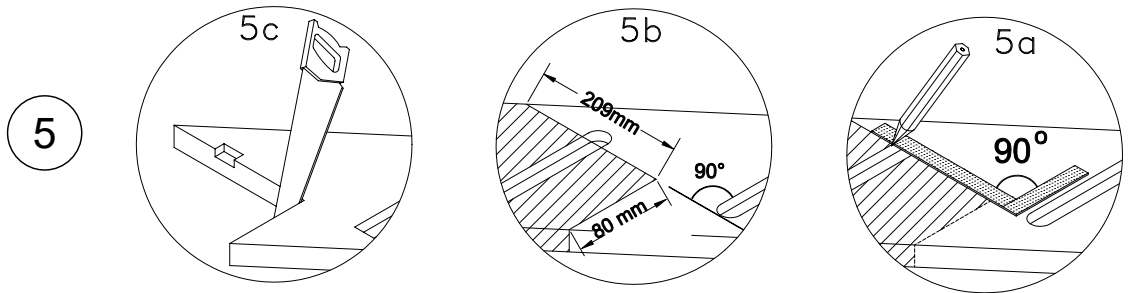
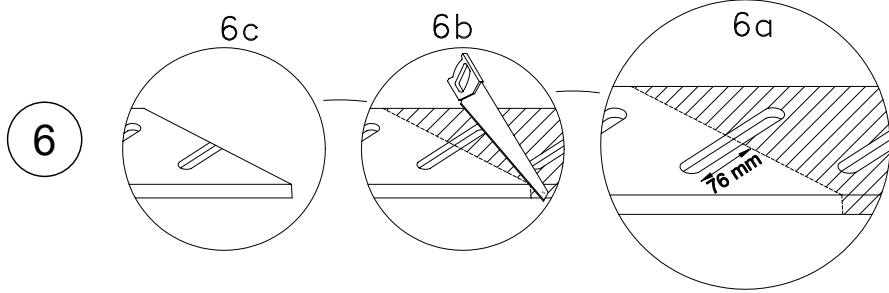
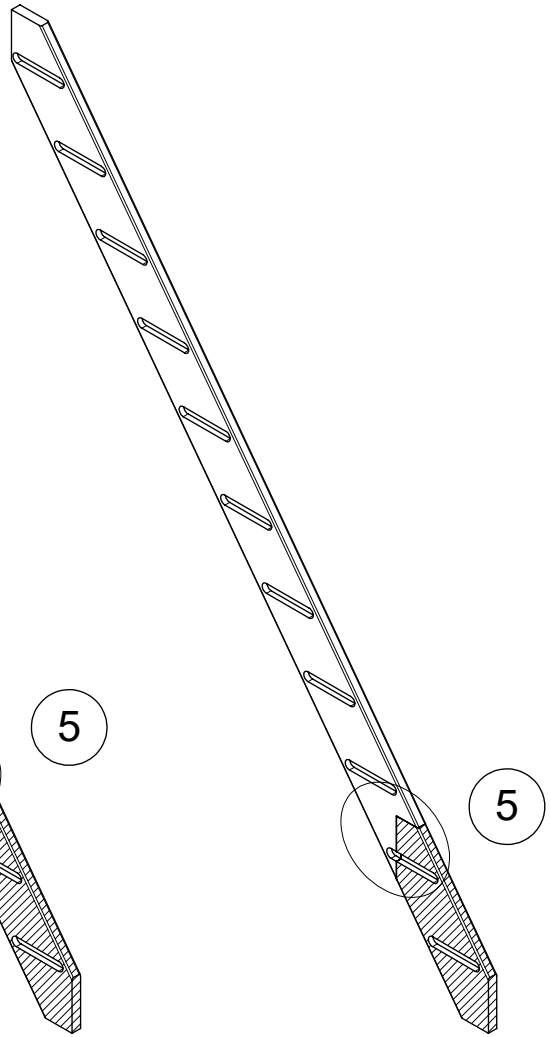
b



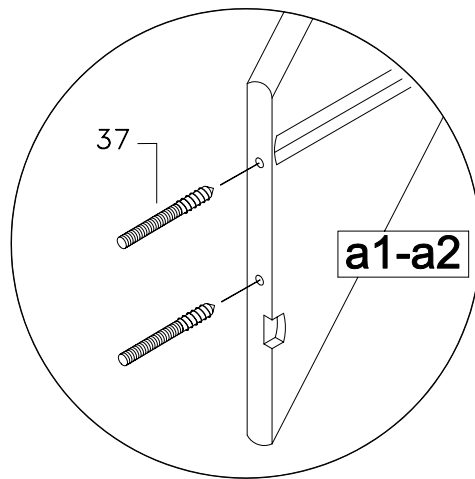
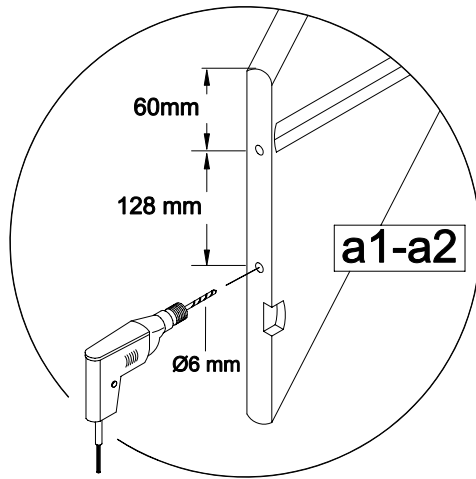
b1



b2



7



8

