

# **(EN) Assembly instructions**

**(DE) Montageanleitung**

**(FI) Kokoonpano-ohjeet**

**(HR) Skupština Upute**

**(FR) Notice de Montage**

**(IT) Istruzioni di Montaggio**

**(BS) Skupština Uputstvo**

**(NL) Montage Instructies**

**(CS) Montážní Návod**

**(RO) Instrucțiuni de Asamblare**

**(DA) Montagevejledning**

**(PL) Instrukcja Montażu**

**(RU) Инструкция по Монтажу**

**(SV) Monteringsanvisning**

**(SL) Navodila za Montažo**

**(UK) Інструкція по монтажу**

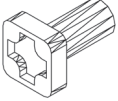
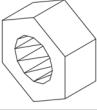
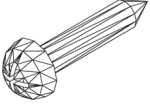
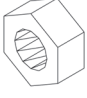


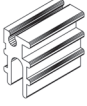


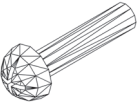
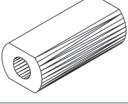
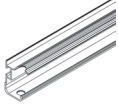

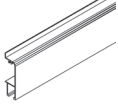
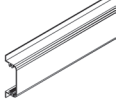
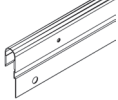
**(NO) Montasjeveiledning**

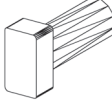

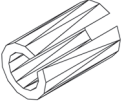
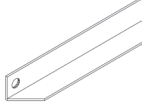
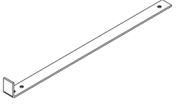
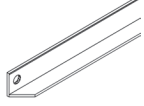
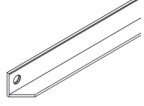
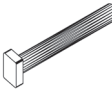
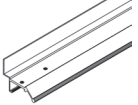
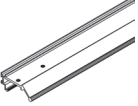

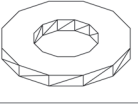
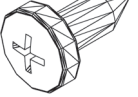
**(HU) Szerelési útmutató**



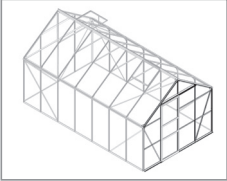
**Vitavía**  
- makes living grow

## **VA0002-DM**

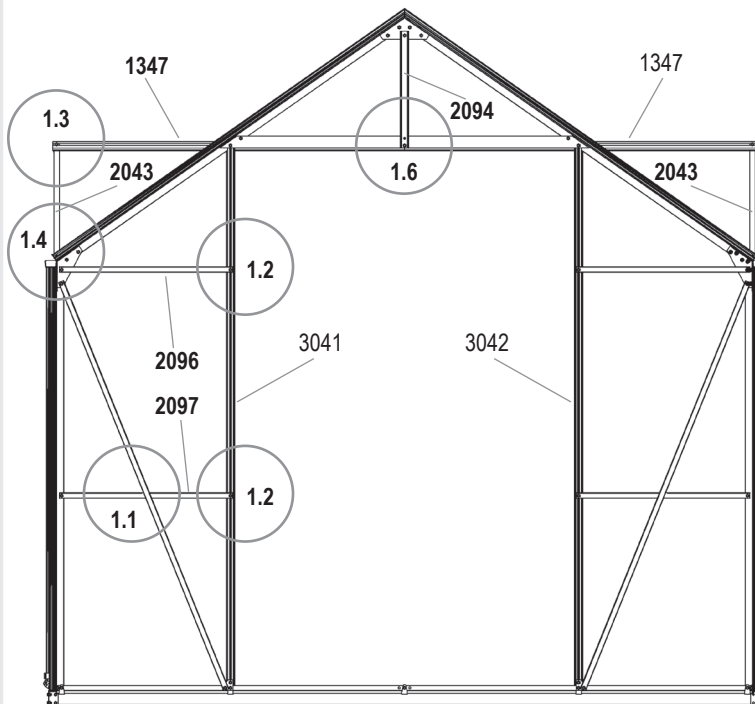
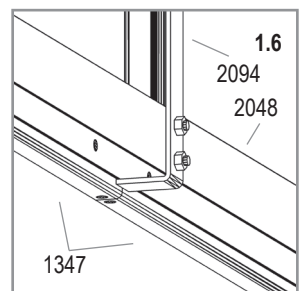
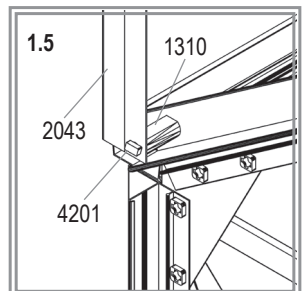
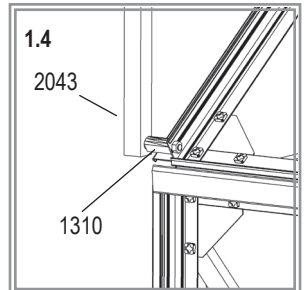
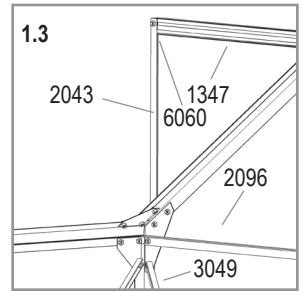
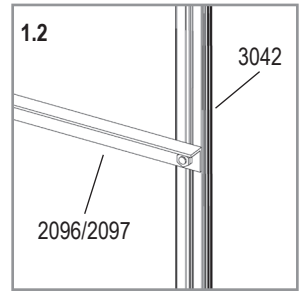
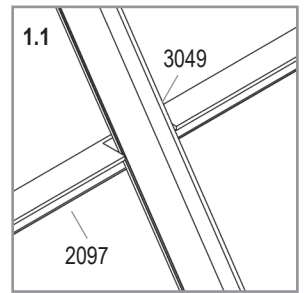
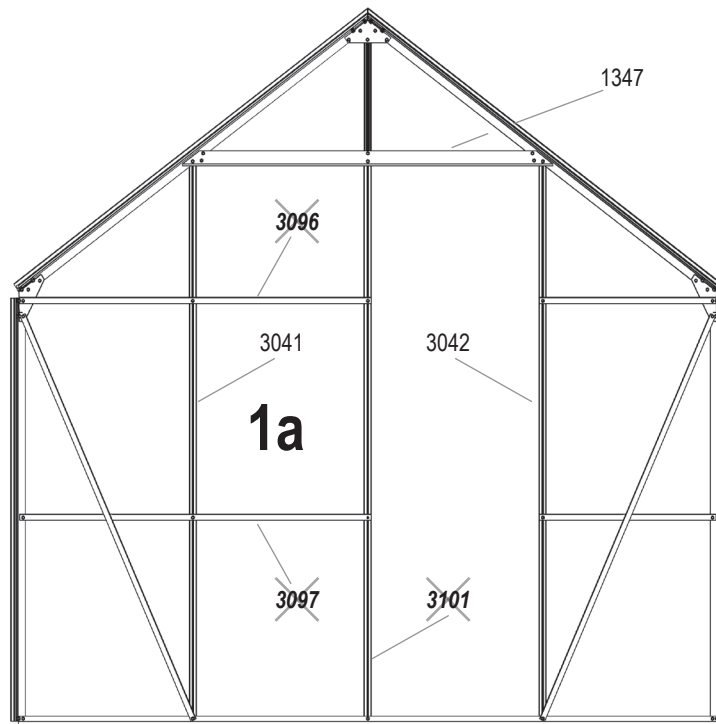
| Item No. | Part   | Sect. Ref. | Size mm  | Quantity |
|----------|--|------------|----------|----------|
| 1001     |           | 1 & 2      | M6 x 12  | 9x       |
| 1002     |           | 1 & 2      | M6       | 17x      |
| 1003     |           | 2          | 3.5 x 16 | 26x      |
| 1007     |           | 2          | M4       | 2x       |
| 1009     |           | 2          | Ø8/4     | 2x       |
| 1011     |           | 3          | 70       | 12x      |
| 1014     |          | 2          | 20       | 4x       |
| 1015     |         | 2          | Ø22      | 2x       |
| 1020     | PVC<br> | 3          | 4000     | 1x       |
| 1304     |         | 2          | M4 x 18  | 2x       |
| 1310     |         | 1          | 30.4     | 2x       |
| 1347     |         | 1          | 1257     | 1x       |
| 1359     |         | 2          | 621      | 1x       |
| 1360     |         | 2          | 621      | 1x       |
| 1361     |         | 2          | 621      | 2x       |
| 1362     |         | 2          | 613      | 1x       |

| Item No. | Part   | Sect. Ref. | Size mm | Quantity |
|----------|--|------------|---------|----------|
| 2001     |    | 2          | M6 x 12 | 6x       |
| 2005     |    | 2          | 100     | 1x       |
| 2006     |    | 2          | 10      | 2x       |
| 2043     |    | 1          | 416     | 2x       |
| 2094     |    | 1          | 426     | 1x       |
| 2096     |    | 1          | 619     | 1x       |
| 2097     |   | 1          | 619     | 1x       |
| 4201     |  | 1          | M6 x 45 | 2x       |
| 3098     |  | 2          | 1760    | 1x       |
| 3099     |  | 2          | 1760    | 1x       |
| 6060     |  | 1          | Ø12/6   | 2x       |
| 6083     |  | 3          | Ø10/5   | 3x       |
| 6084     |  | 3          | 3.5 x 9 | 3x       |

# 1

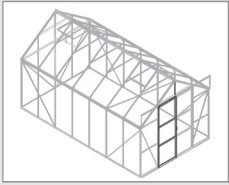


|            |  |
|------------|--|
| 1001<br>5x |  |
| 1002<br>7x |  |
| 1310<br>2x |  |
| 1347<br>1x |  |
| 2043<br>2x |  |
| 2094<br>1x |  |
| 2096<br>1x |  |
| 2097<br>1x |  |
| 4201<br>2x |  |
| 6060<br>2x |  |

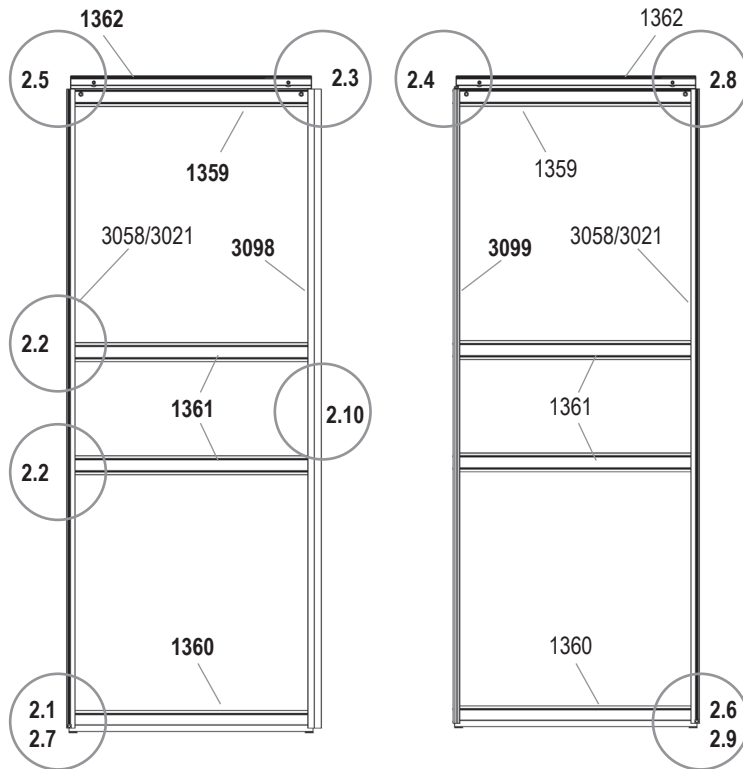
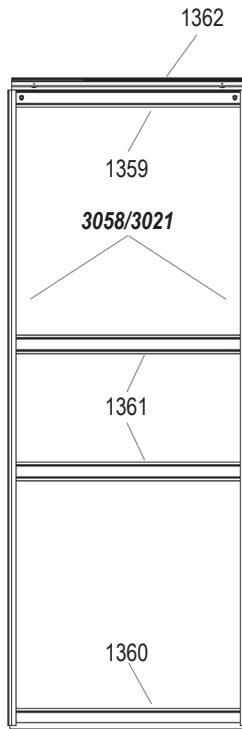


VA0002-DM

# 2

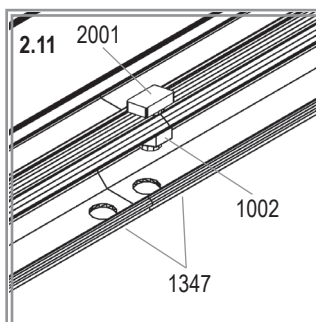
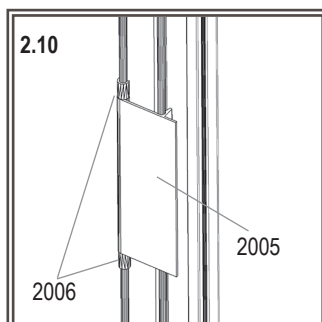
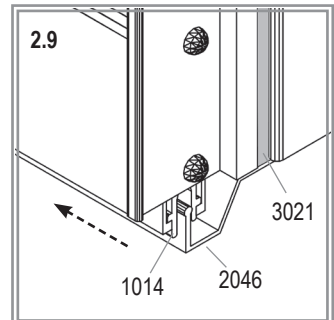
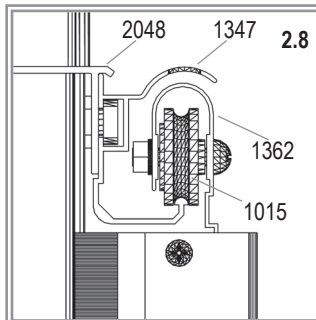
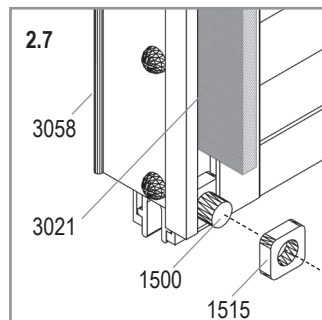
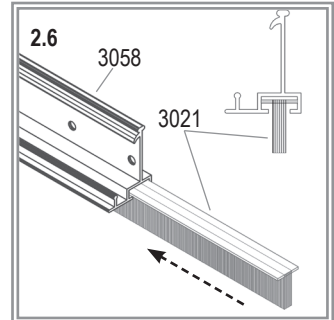
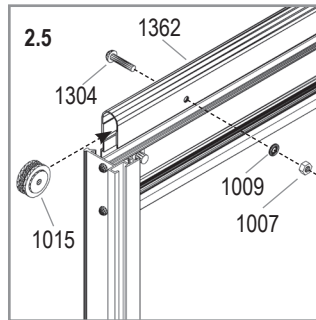
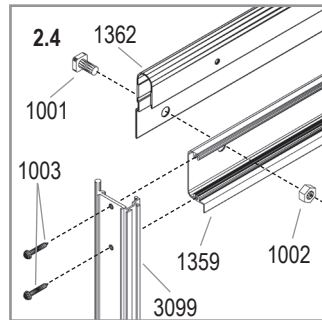
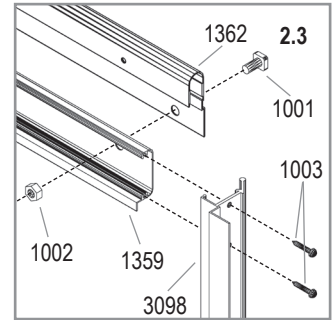
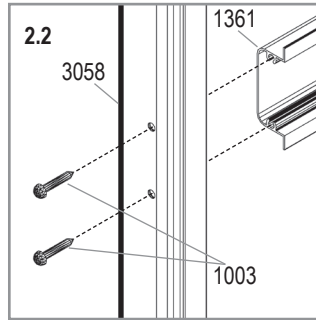
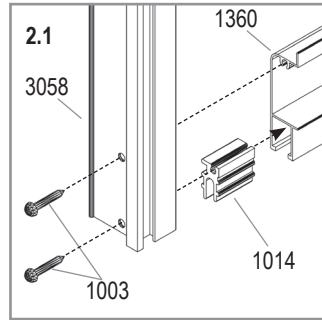
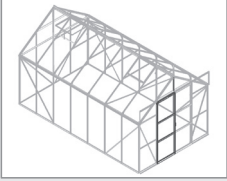


|             |  |
|-------------|--|
| 1001<br>2x  |  |
| 1002<br>3x  |  |
| 1003<br>24x |  |
| 1007<br>2x  |  |
| 1009<br>2x  |  |
| 1014<br>2x  |  |
| 1015<br>2x  |  |
| 1304<br>2x  |  |
| 1359<br>1x  |  |
| 1360<br>1x  |  |
| 1361<br>2x  |  |
| 1362<br>1x  |  |
| 2001<br>1x  |  |
| 2005<br>1x  |  |
| 2006<br>2x  |  |
| 3098<br>1x  |  |
| 3099<br>1x  |  |



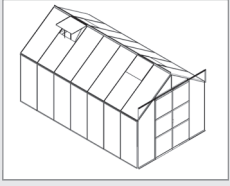
VA0002-DM

# 2

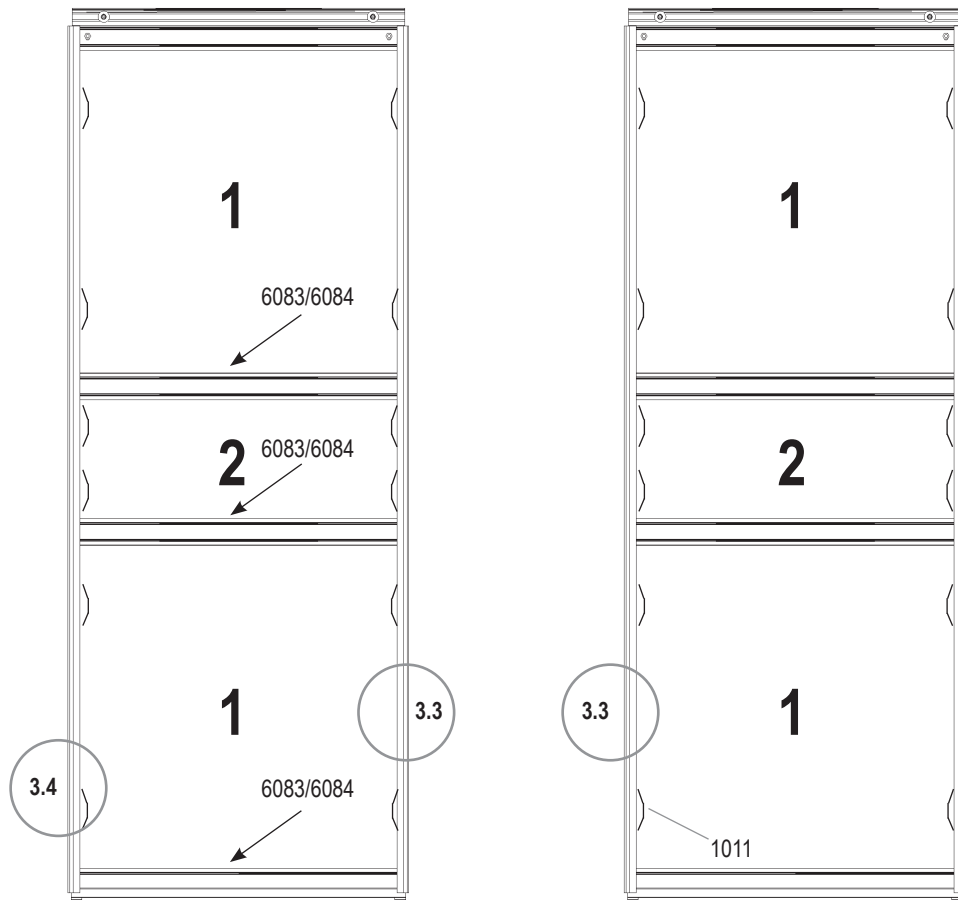


VA0002-DM

# 3

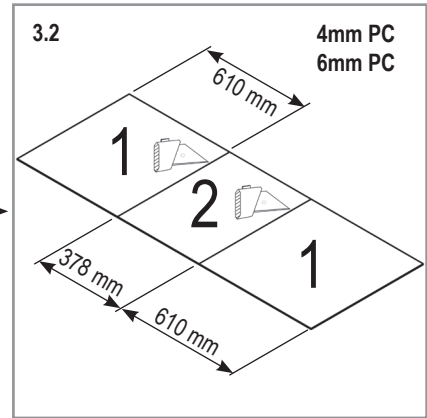
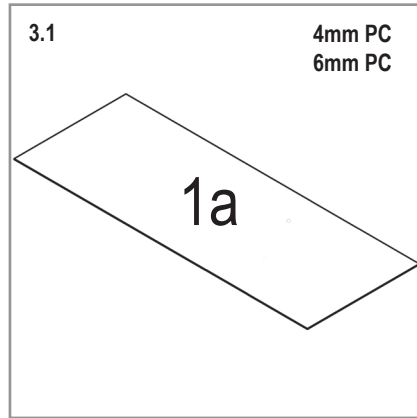
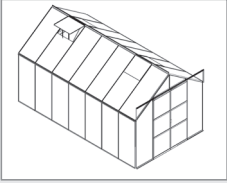


|             |  |
|-------------|--|
| 1011<br>12x |  |
| 1020<br>6x  |  |
| 6083<br>3x  |  |
| 6084<br>3x  |  |



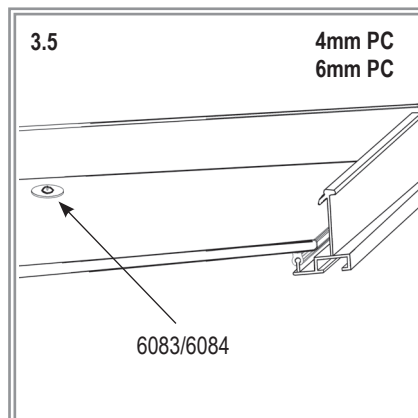
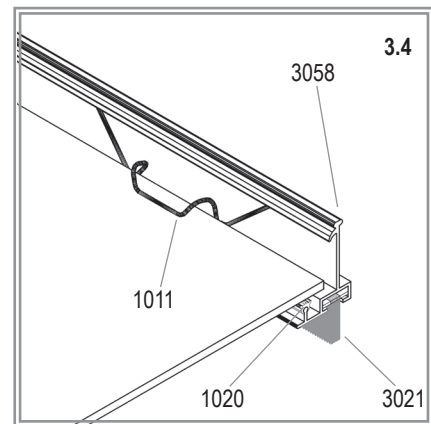
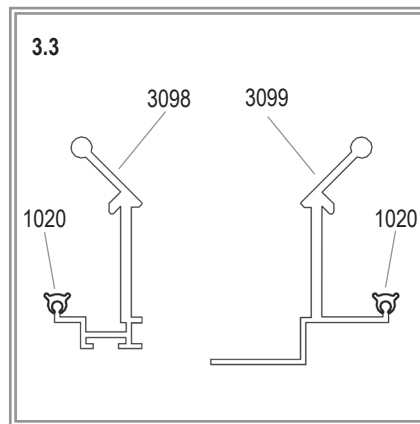
VA0002-DM

### 3



\* Glass - order separately  
Table 3.3

| 3.3 | 4mm PC | 6mm PC  | Glass*  | mm        | Quantity |
|-----|--------|---------|---------|-----------|----------|
| 1   | 369426 | 3694261 | 3679011 | 610 x 610 | 2x       |
| 2   | 369472 | 3694721 | 3679301 | 610 x 378 | 1x       |



VA0002-DM



E.P.H. Schmidt u. Co. GmbH  
Hoefkerstrasse 30  
44149 Dortmund  
Postfach 170163  
44060 Dortmund  
Deutschland  
Tel.: +49 231 941655 0  
Fax: +49 231 941655 99  
[www.eph-schmidt.de](http://www.eph-schmidt.de)  
[verkauf@eph-schmidt.de](mailto:verkauf@eph-schmidt.de)

OPJ A/S  
Volderslevvej 36 A  
5260 Odense S  
Danmark  
Tel.: +45 66 15 10 30  
Fax: +45 66 15 00 84  
[www.opj.dk](http://www.opj.dk)  
[opj@opj.dk](mailto:opj@opj.dk)