

## Thank you

Thank you very much for choosing for a EUROM device. You have made a good choice! We hope you will be satisfied about its functioning.

To get maximum profit from your product, it is important to read this manual attentive and totally before use, and to understand what is written. Read especially the safety instructions: they are there to protect you and your environment.

Keep the manual in a safe place for future reference. Store also the package: that is the best protection for your product in times of no-use. And if you at any time pass the appliance on, pass on the manual and package too.

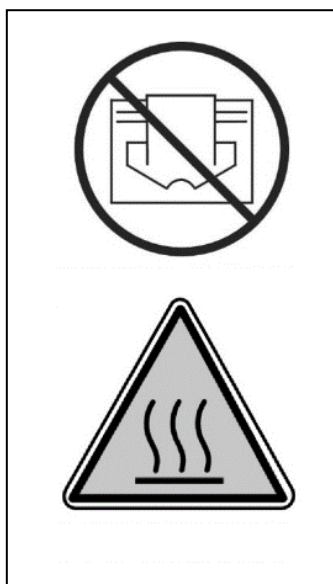
We wish you a lot of fun with the Partytent heater 1502 or 2100!

Eurom  
Kokosstraat 20  
8281 JC Genemuiden (NL)  
info@eurom.nl  
www.eurom.nl

This manual has been compiled with the utmost care. Nevertheless, we reserve the right to optimize this manual at any time and to adjust it technically. The image used may differ.

---

## Symbol Explanation



**To prevent overheating: Do not cover the device!**

**Be careful: hot surface!**

## Technical specifications

Partytent heater	1502	2100
Heating elements	Carbon	Carbon
Number of elements	1	2
Heating capacity	750-1500 Watt	900-1200-2100 W
Consumption max.	1500 Watt	2100 Watt
Connected power	220-240V~50Hz	220-240V~50Hz
Protection factor	IPX4	IPX4
Operation	Manual	Manual
Dimensions	45 x 45 x 22 cm	55 x 55 x 35 cm
Weight	2 kg	3 kg

### Important!

Your party-tent heater must be installed fully and fulfil all the relevant electricity regulations, requirements and rules. If you are in any doubt, have the device installed by a qualified electrician.

This equipment must be connected to a fully functional, undamaged, single-phase, earthed electrical socket which provides 220-240V~50Hz current. The installation must be equipped with a 30 mA earth leakage circuit breaker.

The plug must always be accessible when the device is connected to an electricity supply.

Read this instruction leaflet carefully and follow the instructions.

Before connecting the device, always check that:

- the voltage to which you wish to connect the device corresponds the voltage indicated on the specification plate.
- the socket and plug correspond to one another.
- the socket is earthed.
- the device is hanging securely, at the right height and with sufficient free space around it (see later in the booklet).
- the electrical cable is located away from the vicinity of the heater so as to avoid it getting too hot.

## Safety warnings

- The party-tent heater must only be used in the manner for which it has been designed: as a hanging heater for party-tents, verandas and similar covered outdoor areas in a private setting. Never use it for other purposes such as drying clothing or textiles or other materials/products/people or animals. The party-tent heater is not intended to be used in commercial situations and must not be used at building sites or in greenhouses, stables etc.
- The carbon heating lamps are fragile so handle the party-tent heater with care. Avoid bumping the device, letting it fall etc.

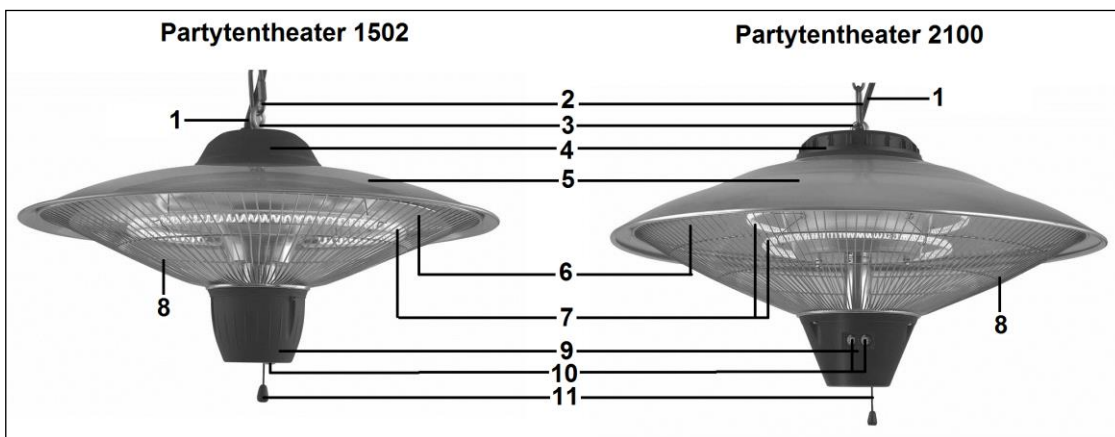
- This party-tent heater must be installed according to the guidelines outlined later in this booklet.
- The party-tent heater emits a very intense heat. Do not expose people (particularly old people or children) to direct heat. This also applies to animals.
- The party-tent heater should never be installed or used in the vicinity of flammable objects. This may include curtains, furniture, tent canvases etc. It may not be located too close to a socket and should not be used in a damp area such as a bath/shower room, by a swimming pool etc.
- Never use the infrared heater in spaces which house explosive or flammable items.
- In order to reduce the risk of electrical shock or fire, the party-tent heater should never be used with a timer or another device that switches the device on or off automatically. Never leave the device unsupervised during use.
- **Never cover the party-tent heater!** Never hang anything over it!
- Ensure that the electrical cable is laid without any kinks. If the cable comes into contact with parts of the heater or falls within the range of the radiation, it could melt. This poses a serious fire risk!
- Never lay the electrical cable behind shelves or under clothing and ensure that it cannot become trapped or cause a stumbling risk. Prevent the cable coming into contact with the hot elements of the infrared heater.
- Try to avoid the use of an extension cable. If this cannot be avoided, then choose a lead that is as short as possible with power of at least 10A and 2000W (type 1502) or 16A and 2500W (type 2100). The cable must be completely uncoiled if a cable-winding device is used.
- Ensure that the party-tent heater never falls into water or any other fluid and never submerge it. Never touch the device with wet hands.
- Never stick your fingers, pencils or any other object into the party-tent heater grille. The grille gets very hot during use and can only be touched when the heater has cooled down fully.
- Make sure there is close supervision if this device is used when there are children, incapacitated persons or pets present. Do not allow children to play with the device. This device is not suitable to be operated by children or those with physical, sensory or mental disabilities or by anyone who does not have knowledge about or experience with the device. Ensure that every user has ready the

instruction booklet. Keep children and pets out of the vicinity of the device.

- Switch the party-tent heater off and remove the plug from the socket:
  - after every use of if you are leaving the location
  - before moving or cleaning the device
  - if it breaks down or needs maintenance
- Do not use the device if it has been subject to a fall, has been damaged or is not working properly. Switch the device off immediately, remove the plug from the socket and consult your supplier or a qualified electrician. Please request original parts if the device needs to be repaired. Never dismantle or repair the device, cable or plug yourself. The device does not contain any parts that you can replace or repair yourself.

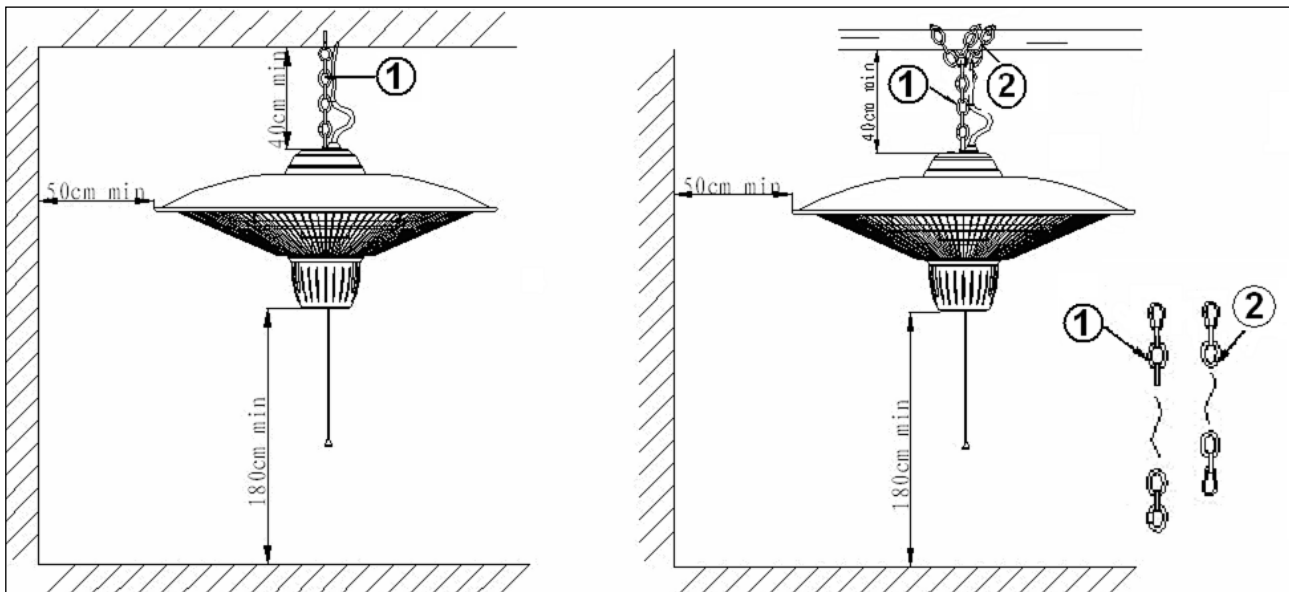
The supplier, importer and manufacturer will not be held liable if you take any actions, other than those outlined in this booklet; the guarantee will also become null and void in this event.

### Important components



- |                           |                      |
|---------------------------|----------------------|
| 1. electrical cable       | 7. carbon lamp(s)    |
| 2. hanging chain          | 8. grille            |
| 3. hanging eye for heater | 9. control box       |
| 4. decorative cover       | 10. indicator lights |
| 5. protective cover       | 11. pull-cord        |
| 6. reflective screen      |                      |

## Installation



**1:** standard attachment chain (50 cm)

**2:** extra attachment chain (30 cm) with 2 karabiner hooks

The party-tent heater must be hung so that there is 40 cm of free space between the decorative cover and any ceiling, tent canvas etc.

Additionally, at least 50 cm of space must be left at the sides, between the device and any side walls, tent canvas and other objects. There must also be at least 1.80 m between the ground and the underside of the control box. The party-tent heater can never be hung on a hook in the wall as it could hang at a slant!

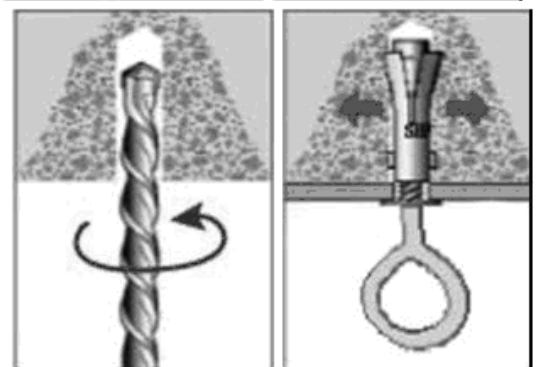
There are two methods of hanging:

1. On the ceiling
2. On a frame (e.g. a tent frame)

### 1. Hanging on the ceiling

The party-tent heater must be hung on a **concrete** ceiling. Never hang it on a ceiling made of wood, plaster or any other material! The attachment materials and fire safety measures are not suitable for this type of installation.

- Seek a location in the ceiling that fulfils all of the requirements;
- Drill a sufficiently deep hole with a diameter of 8 mm;
- Knock the key-bolt with hanging eye into the hole; secure it by turning clockwise and check that the hanging eye is screwed into the key-bolt properly or that the bolt and eye is firmly attached. Ensure that the attachment kit can bear the weight of at least 10 kg.
- Hang the party-tent heater on the hanging eye with the karabiner hook so that the party-tent heater is 40 cm from the ceiling.
- Check that the karabiner hook is correctly closed.



## 2. Hanging on a frame (e.g. a tent frame)

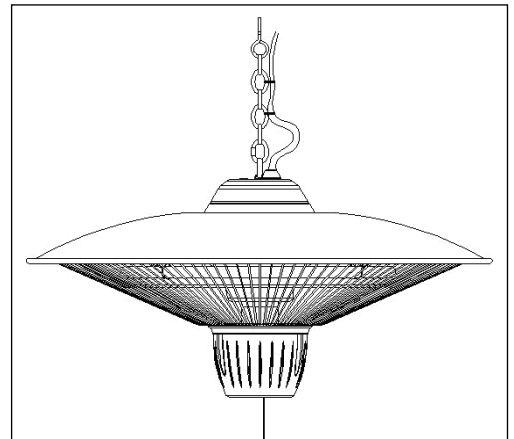
Make sure that the party-tent heater can hang freely from the attachment point you have selected and that it is sufficiently sturdy to bear the weight of the heater. Secure it properly so that it cannot sag, slide or move in any other way.

- Seek a location in the frame that fulfils all of the requirements;
- Use the extra attachment chain with a karabiner hook at each end to secure effectively:
  - Hook the security chain to the ring on the hanging chain that is attached to the party-tent heater, using the karabiner hook;
  - Wind the security chain around the frame once or twice;
  - Then attach the second karabiner hook also to the ring at the hanging chain; this will ensure that the party-tent heater remains 40 cm from the frame.
- Check that the karabiner hook is closed properly and that the party-tent heater is securely attached. It should not slide, sag or move at all!

**Take care!The party-tent heater's upper decorative cover must be positioned at least 40 cm from the tent canvas, cover or any other item!**

The following applies to both methods

- Run the electrical cable along the hanging chain and secure at multiple points with a tie-wrap. The first tie-wrap must be secured to the third link as the first few links become hot. Make sure that the cable is tight along the chain but do not hang the device on the cable! Run the electrical cable from the (hot) party-tent heater to a socket.
- Your party-tent heater is now ready for use.



## **Operating**

- Insert the plug into the socket. Check beforehand whether this socket meets the requirements indicated on the party-tent heater's specification plate, i.e. 220-240V~50Hz.

### Partytent-heater 1502

- Pull on the pull-cord once. The lamp will come on and the indicator light will come on. The partytent-heater will emit 750W of heat.
- After pulling on the cord again the heater will emit 1500W of heat.
- Pulling on the pull-cord again will switch the party-tent heater off. These settings will be repeated if you continue to pull the cord.

### Partytent-heater 2100

- Pull on the pull-cord once. The smaller, lower lamp will go on and the corresponding indicator light will come on. The party-tent heater will emit 900W of heat.

- Pulling on the cord again will switch on the larger, higher lamp (1200W). The corresponding indicator light will come on.
- Pulling on the pull-cord for a third time will switch on both lamps. Both indicator lights will now come on and the heater will emit 2100W of heat.
- Pulling on the pull-cord for a fourth time will switch the party-tent heater off. The lights will go out.
- These four settings will be repeated if you continue to pull the cord.

The following applies to both types

- The party-tent heater is not equipped with a thermostat and will continue to emit heat for as long as it is switched on. Never leave a functioning party-tent heater unsupervised!
- Remove the plug from the socket once the lights have gone off if you wish to turn the device off.

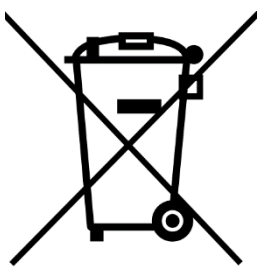
## Maintenance and cleaning

Switch the device off, remove the plug from the socket and leave to cool before performing maintenance or cleaning.

Clean the exterior of the party-tent heater with a soft, damp cloth and, if necessary, a little cleaning agent. Never use aggressive or abrasive products and ensure that water never penetrates the device itself!

You will not usually need to clean the reflective screen or the carbon lamps. If necessary, you could use a vacuum cleaner to suck dirt through the grille. If this is inadequate, engage a professional. Never open up the device yourself!

## Removal



In the EU this symbol indicates that this product may not be disposed of as ordinary household waste. Old equipment contains valuable materials, suitable for recycling. These materials should be made suitable for reuse in order to prevent any adverse effects to health and the environment caused by unregulated waste collection. Therefore, please make sure that you bring old equipment to a designated collection point. Alternatively, contact the original supplier, who can make sure that as many of the components as possible can be recycled.

## CE-statement

See page 75.