

## Technical Data Sheet H&W FSC® Bamboo boards, beams and lumper Pro™, Espresso

### Product Description

FSC® Bamboo boards, beams and lumper Pro™, Espresso is a solid and high-density decking board, made from compressed bamboo fibers with a special, patented heat treatment process, making it one of the strongest, hardest and most durable materials on the market to create the perfect space for outdoor entertainment and relaxation. Like any untreated tropical hardwood species, when exposed to outdoor conditions, FSC® Bamboo boards, beams and lumper Pro™, Espresso will turn grey over time creating a very natural look.

### Product Technical Specification and Tolerance

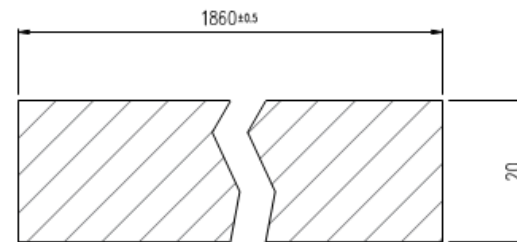
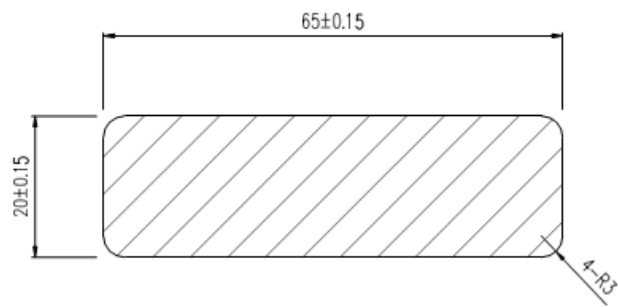
<b>Properties</b>	<b>Standard</b>
<b>Dimension and Tolerance</b>	Dimensions: 1860mm x 65mm x 20mm 1860mm x 100mm x 20mm 1860mm x 205mm x 20mm 1860mm x 152mm x 40mm 1860mm x 58mm x 40mm 2000mm x 100mm x 40mm  length tolerance: ±0.5mm width tolerance: ±0.15mm thickness tolerance: ±0.15mm
<b>Density/Specific Gravity</b>	1.15g/Cm3
<b>Moisture content</b>	10-14%
<b>Hardness</b>	106.8N/mm <sup>2</sup> (DIN EN 1534)
<b>Static Bending Strength</b>	74.4N/mm <sup>2</sup> (DIN EN 408)
<b>Modulus of Elasticity</b>	19100N/mm <sup>2</sup> (DIN EN 408)
<b>Termite Resistance Level</b>	DC M (EN117)
<b>Biological Durability</b>	class 1 (EN 350:2016)

<b>Release of Formaldehyde</b>	E1(0.1mg/m <sup>2</sup> h) (GB/T17657-2013)
<b>Thickness of Swelling Rate</b>	5.1% (DIN EN 15534-1)
<b>Width of Swelling Rate</b>	0.6% (DIN EN 15534-1)
<b>Warping</b>	≤ 6mm and quantity is less than 10%.
<b>Appearance</b>	Both Smooth and Reeded surfaces could be use as top surface Main surface grain are straights, and texture smooth sand to P180 Color greyish brown when unfinished and turn to rich dark brown after primed with penetrating oiled Natural grain and color may vary as this is a natural fiber product.
<b>Cupping</b>	≤ 0.3 mm
<b>Banana Shape</b>	≤ 1mm/m along the length of the panels.
<b>Bamboo Nodes</b>	Nodes are separated its width ≤ 10 mm.
<b>Height Difference</b>	≤ 0.5mm
<b>Tool Marks</b>	Minor.
<b>Finishes</b>	Woca fully cured, uniform with no excess.
<b>Thickness Swelling Rate of Water Absorption Test</b>	≤ 3%, no obvious cracking in crosscut end in 100°C hot water for 1 hour.

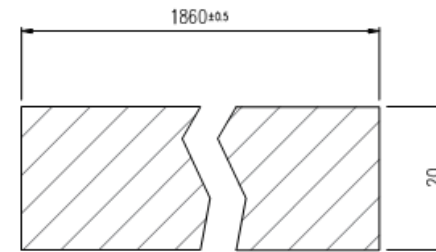
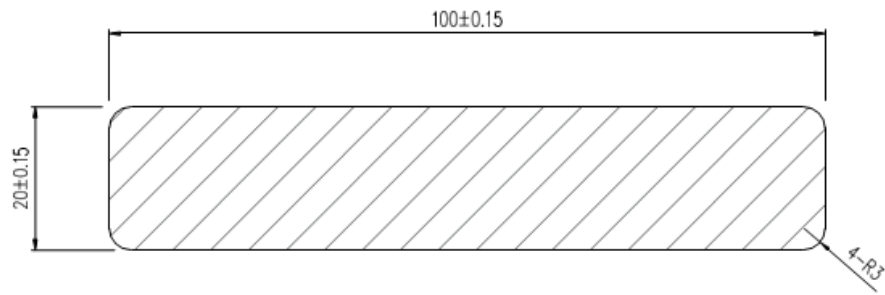
### Storage

- The warehouse should be well ventilated, with relative humidity from 45 to 75% at temperatures ranging from 50°F (+10°C) to 104°F (+40°C).
- Do not store product in pest infested and/or unsuitable warehouse.
- Leave the products in its original package when not in use, cover the bundles from top and bottom to avoid the influence of climatic events and other environmental hazards.
- Store the product horizontally on the ground with pallet shoe on every pallet. The bottom pallet should be placed on an even footing on spacer-pads or palettes. The maximum height of stacked bundles should not exceed 4.5 m.
- The difference between the spacers should not be more than 600mm, with distance of starting and ending spacer from the edge of the bundle not exceeding 200mm (the number of spacers should not be less than 3).

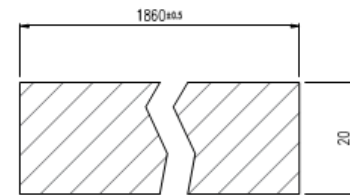
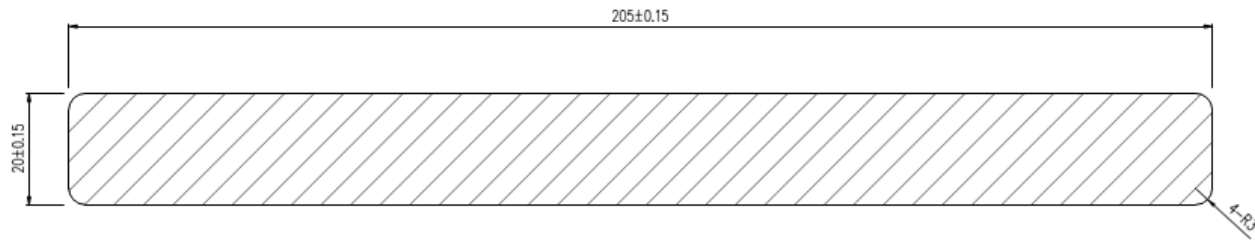
Item: 188861 - 1860x65x20mm



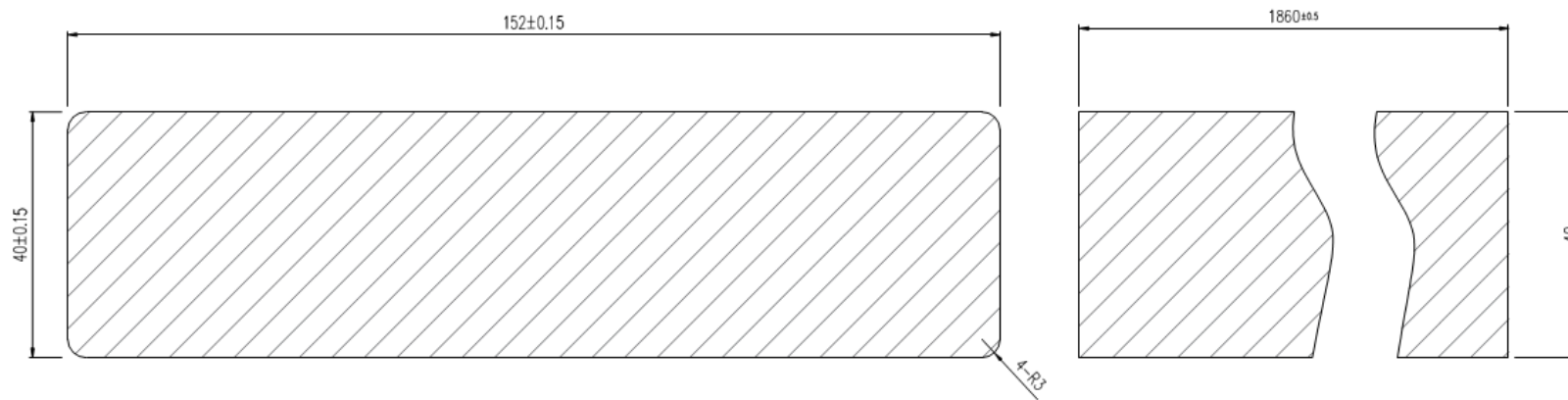
Item: 188860 - 1860x100x20mm



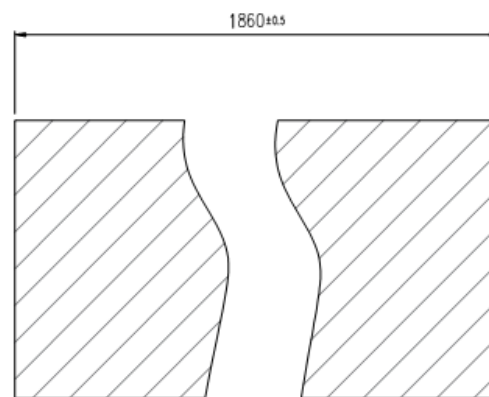
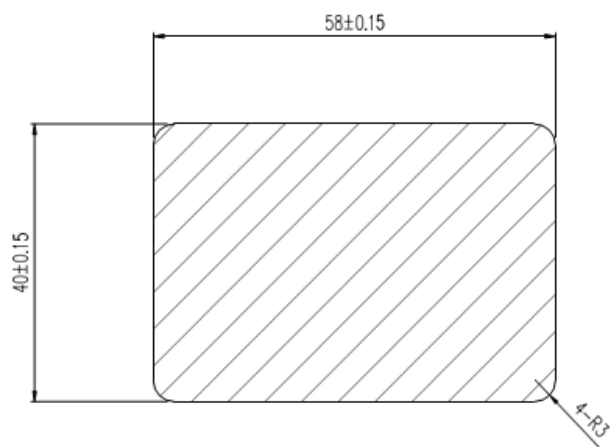
Item: 188851 - 1860x205x20mm



Item: 188850 – 1860x152x40mm



Item: 188831 - 1860x58x40mm



Item: 188832 – 2000x100x40mm

