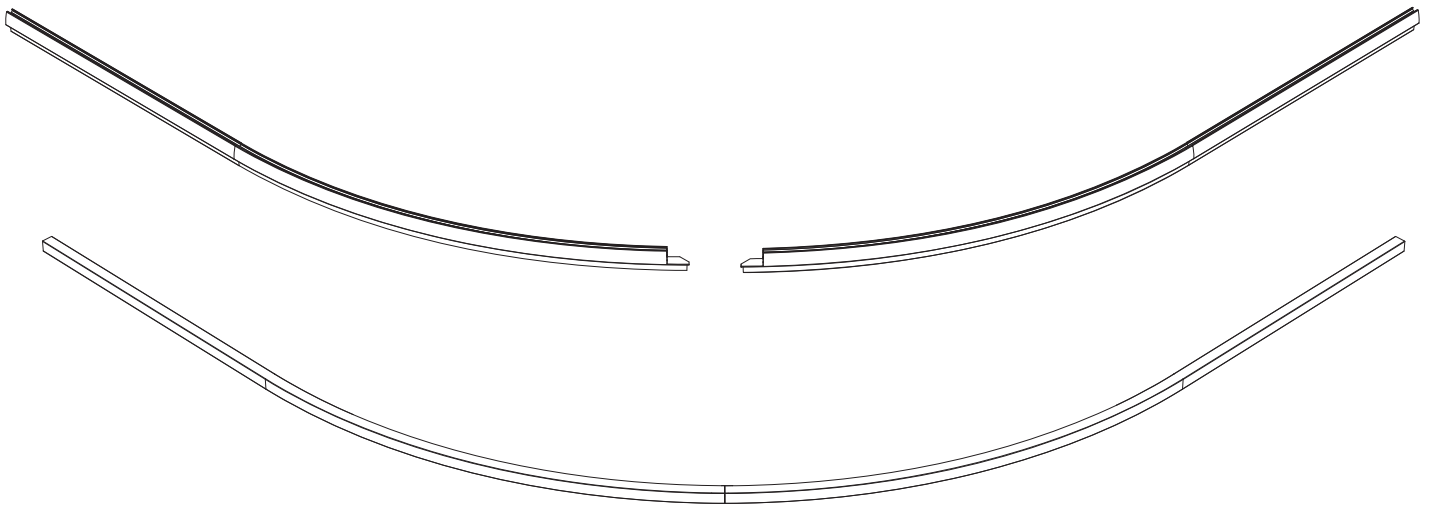
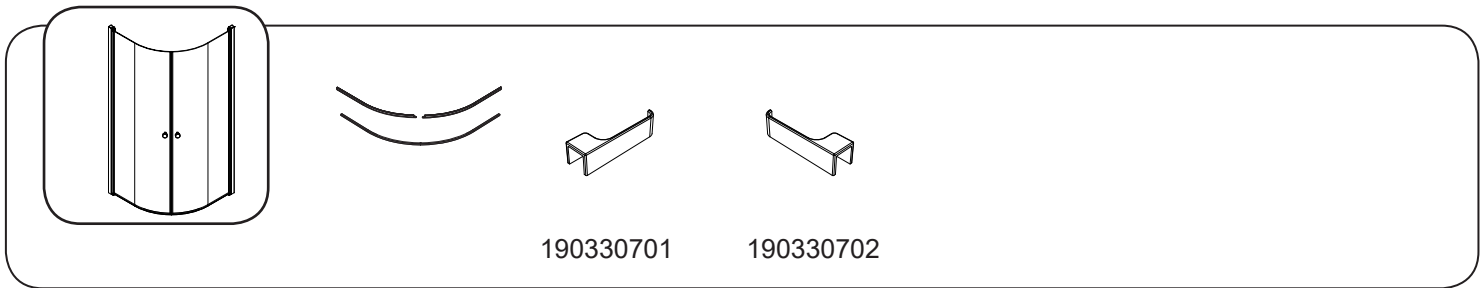




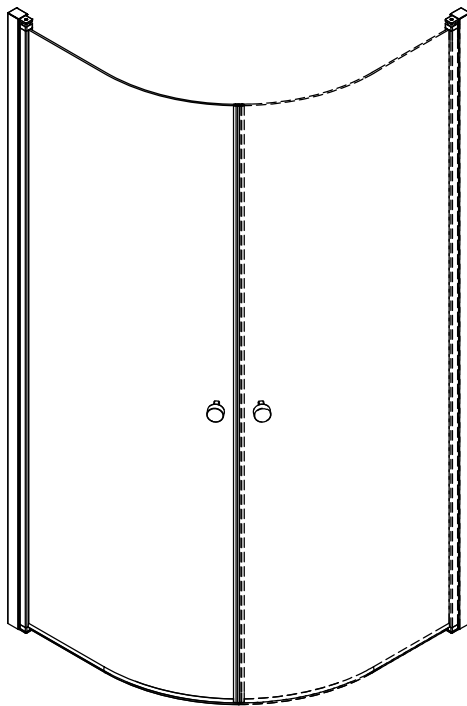
**DANSANI**®

D081-02

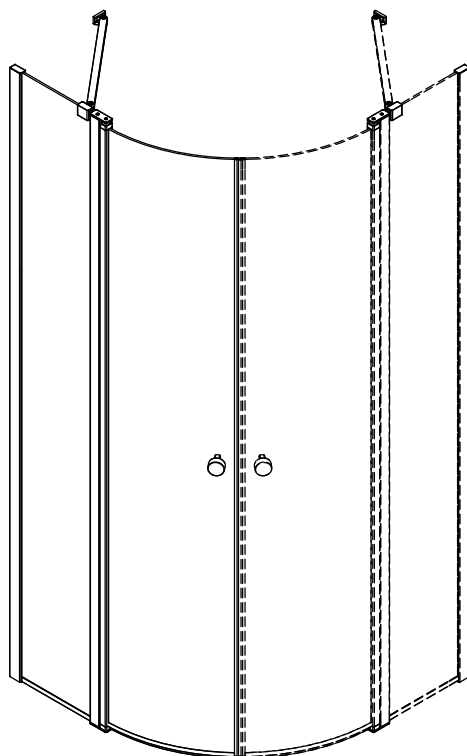




**1**



**E**

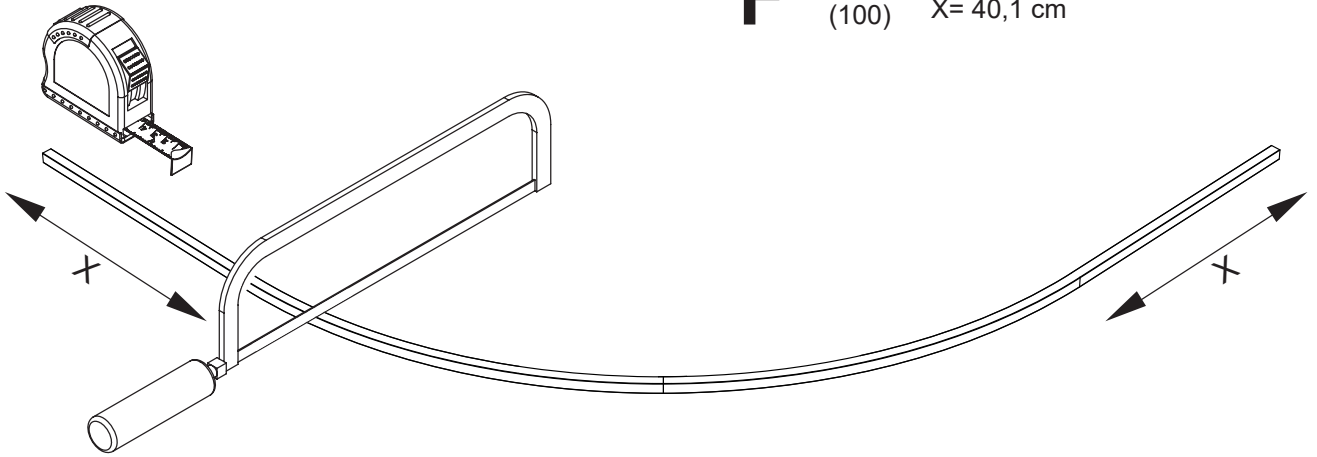


**F**

# 2

**E** (80) X= 20 cm  
(90) X= 10 cm  
(100) X= 0 cm

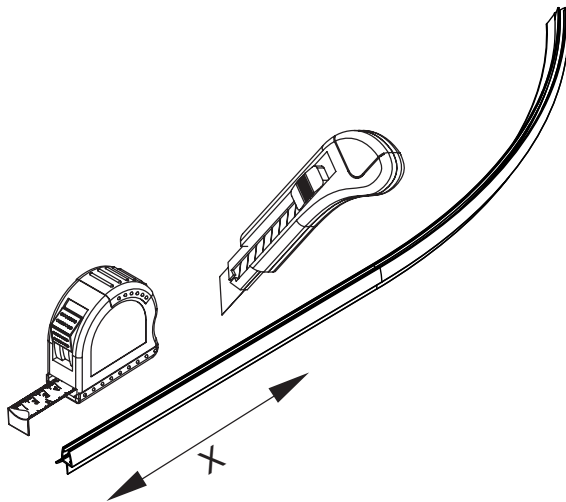
**F** (90) X= 40,1 cm  
(100) X= 40,1 cm



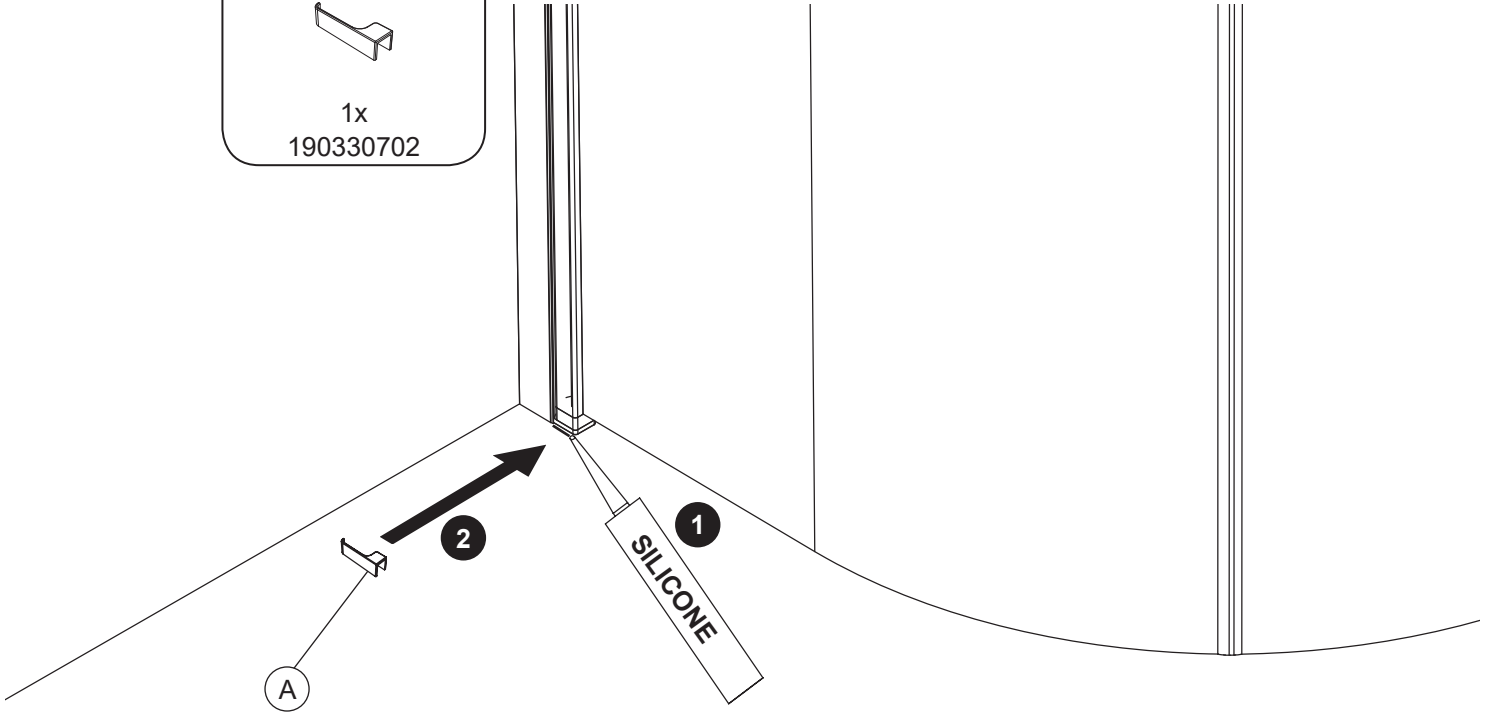
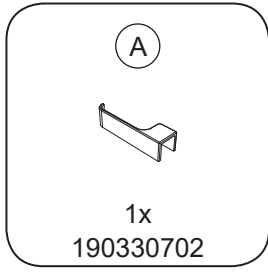
# 3

**E** (80) X= 20 cm  
(90) X= 10 cm  
(100) X= 0 cm

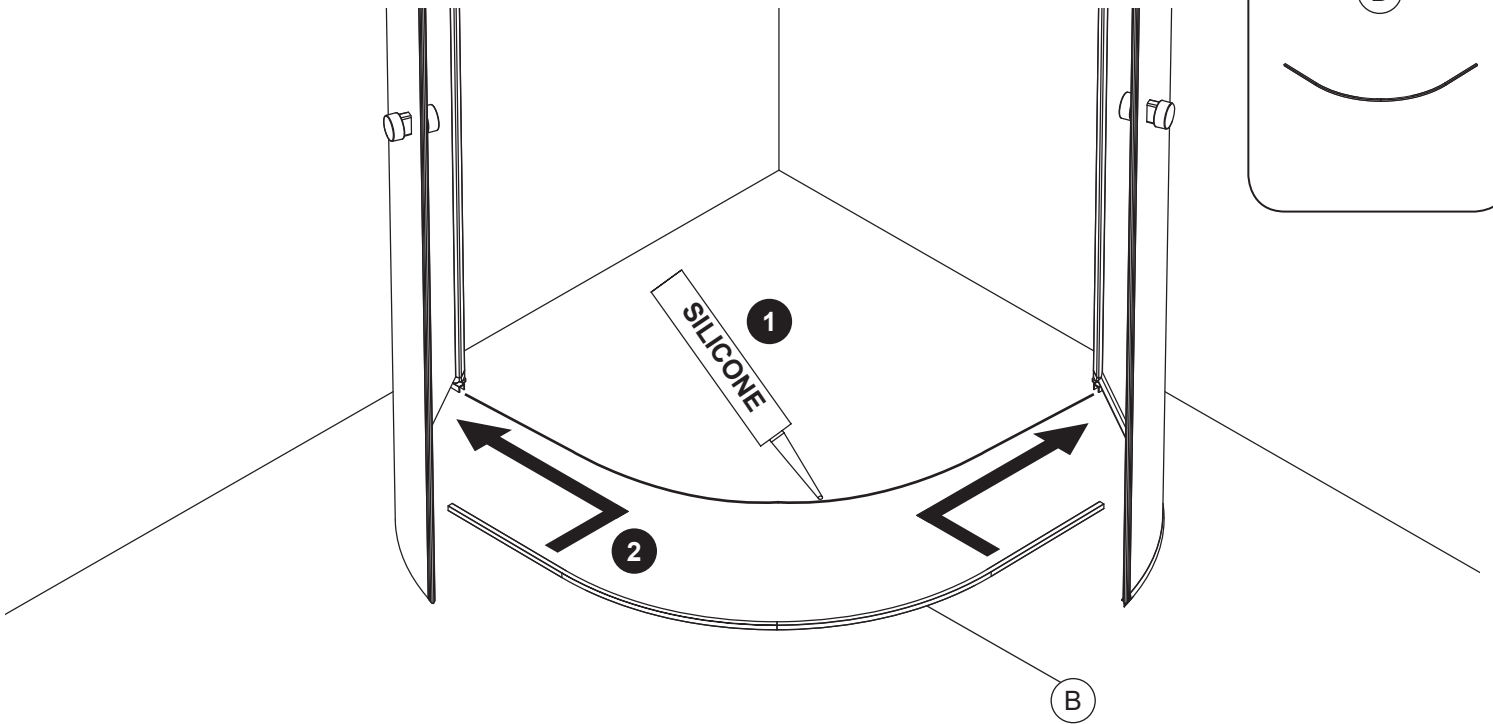
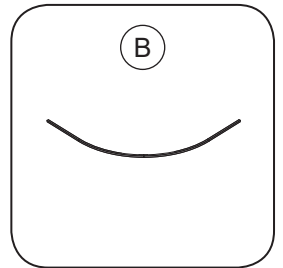
**F** (90) X= 40,1 cm  
(100) X= 40,1 cm



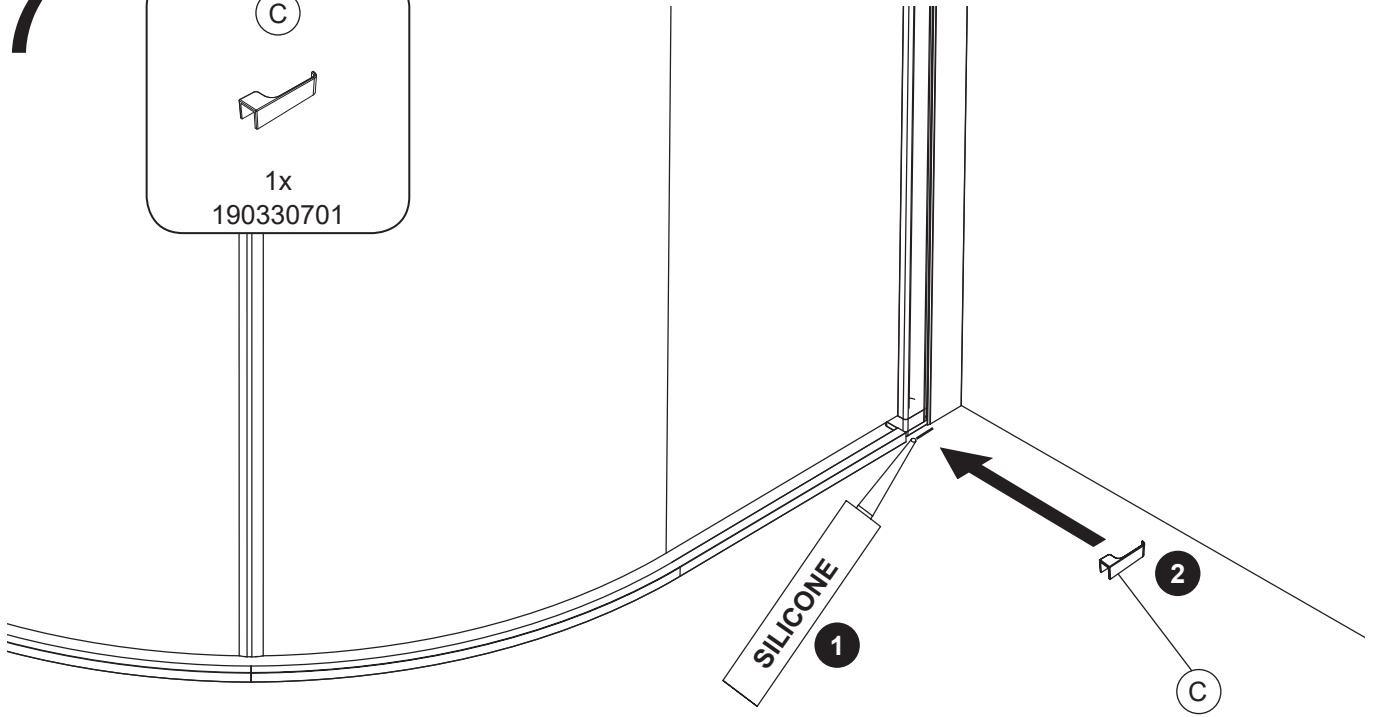
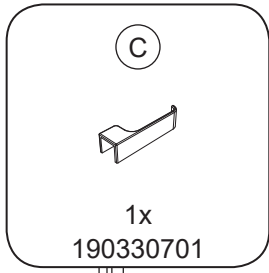
5



6



7



8

