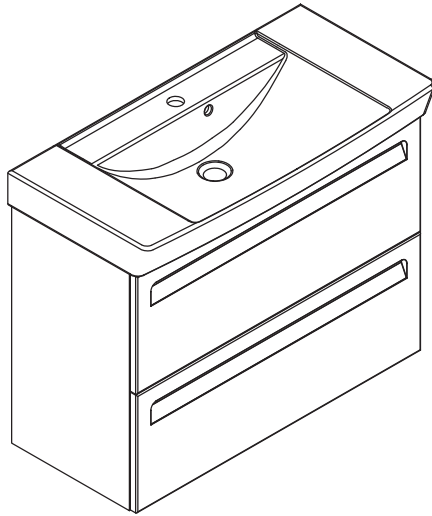
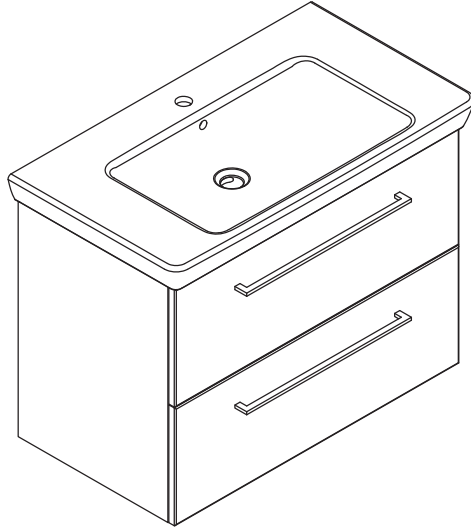




**DANSANI®**

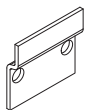


8x



5-500

2x



30010190

8x



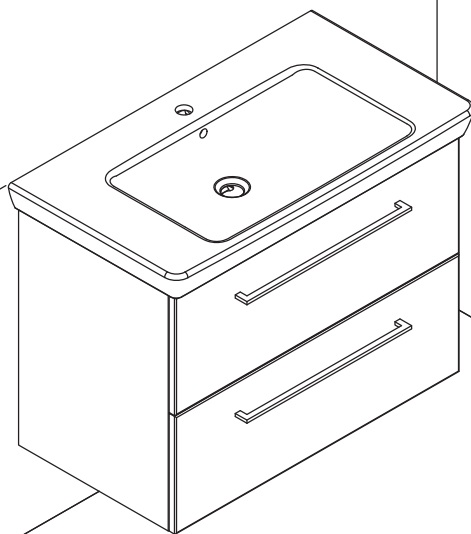
5,0-60SU

8x

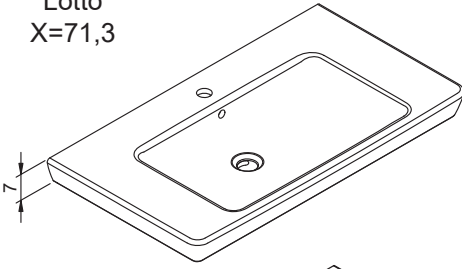


195000000

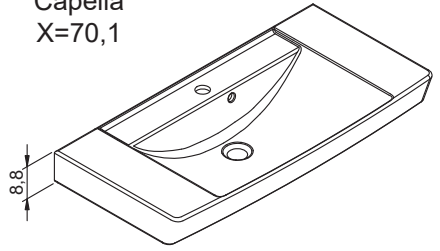
87



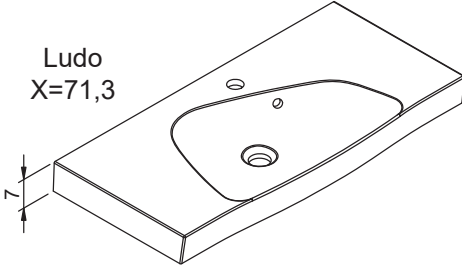
Lotto  
X=71,3



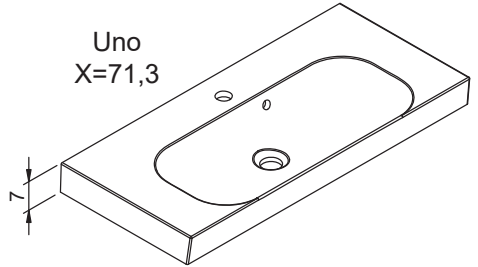
Capella  
X=70,1



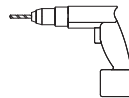
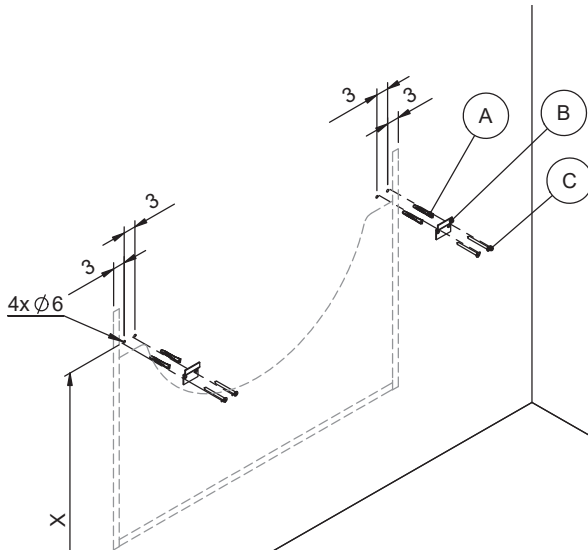
Ludo  
X=71,3



Uno  
X=71,3



1



4x



5-500

(A)

2x



30010190

(B)

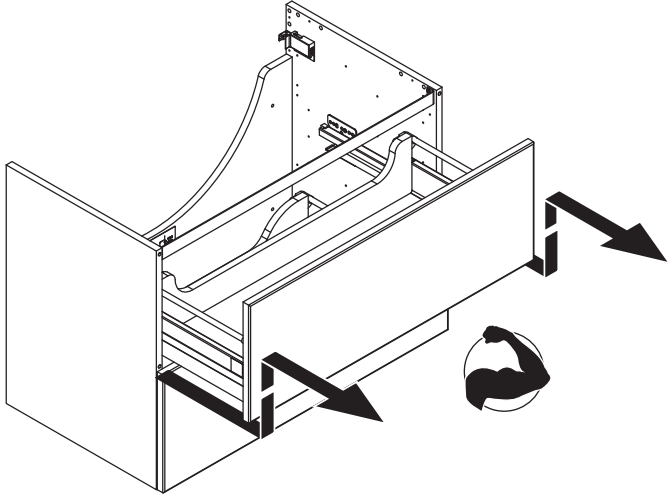
4x



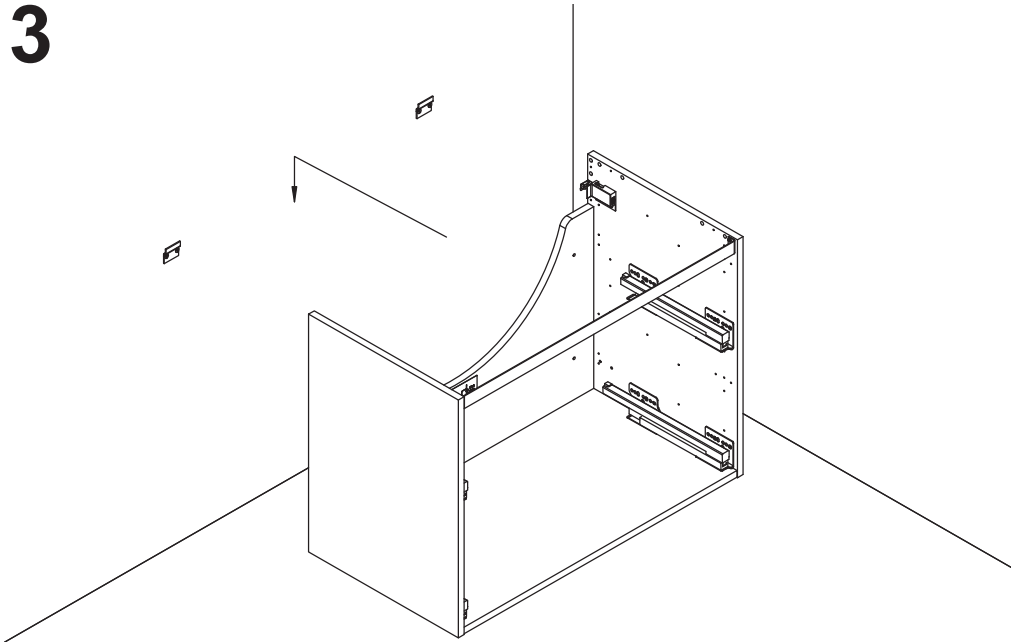
5,0-60SU

(C)

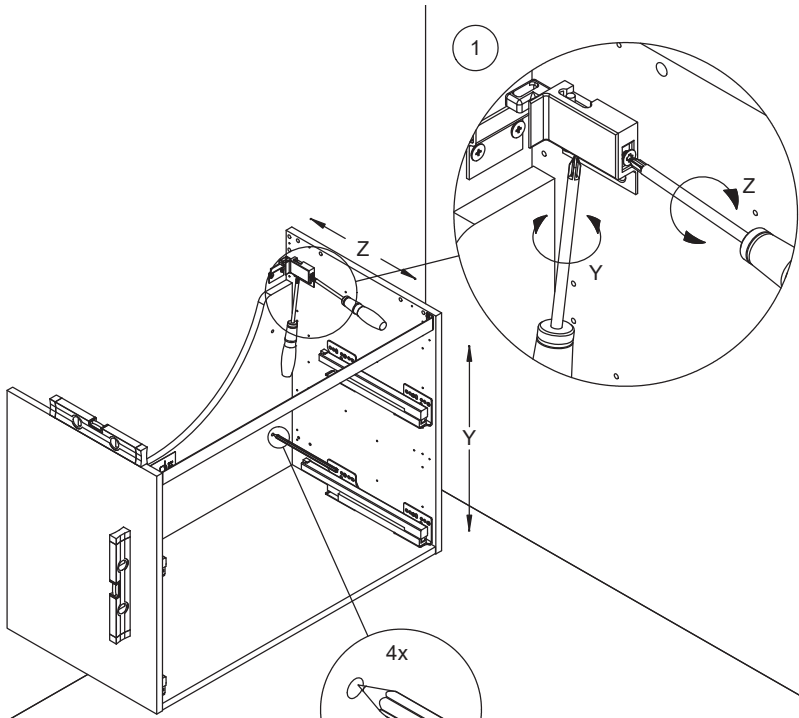
2



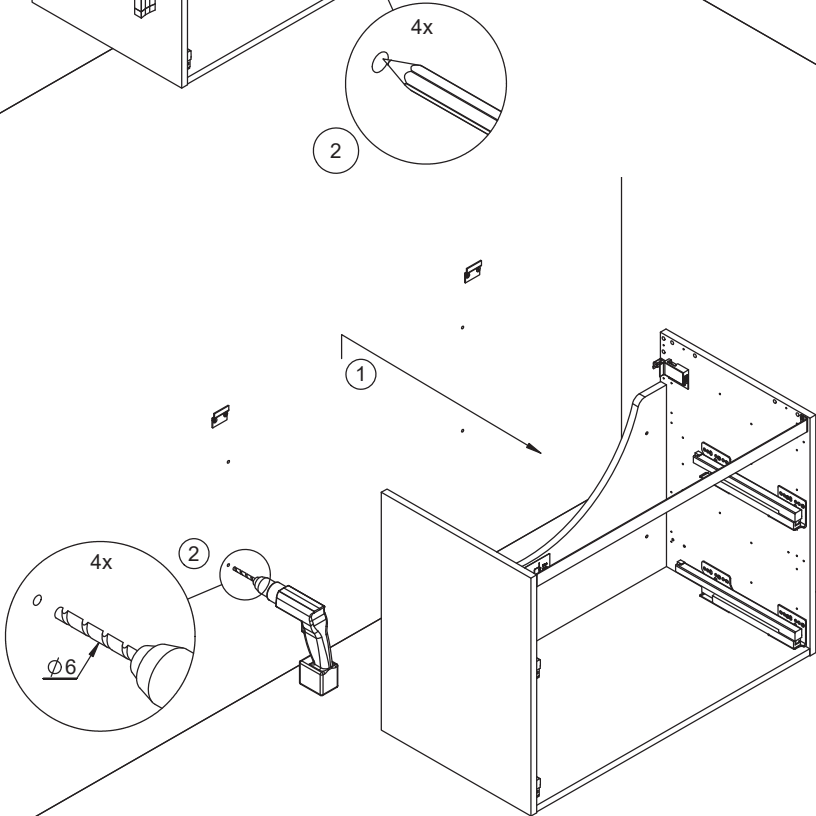
3



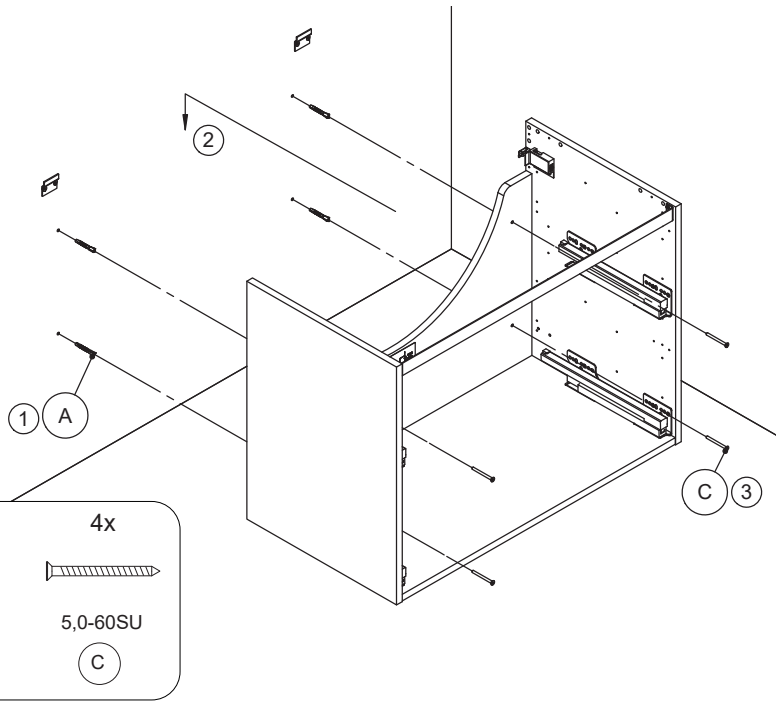
4



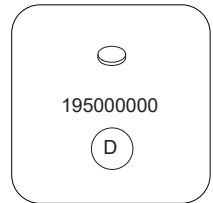
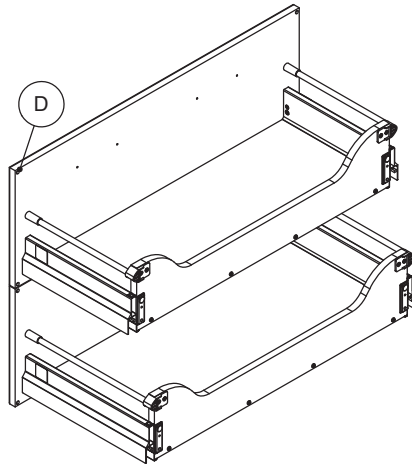
5

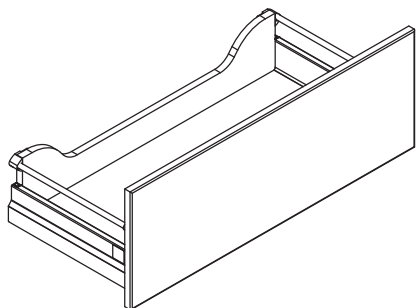


# 6

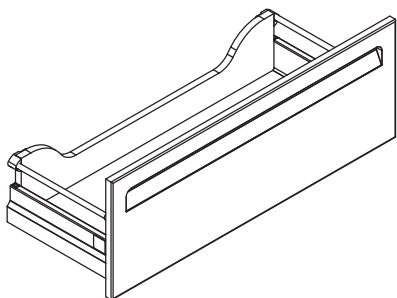


# 7



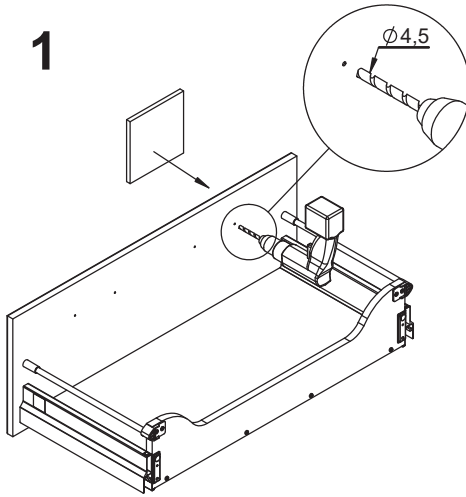


**8**

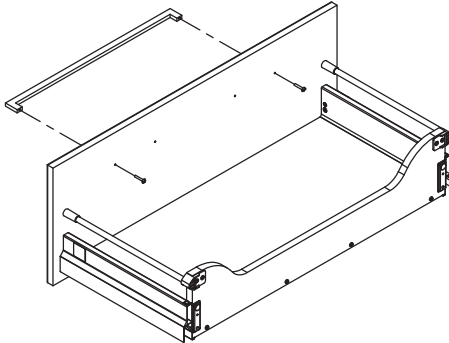


**9**

1

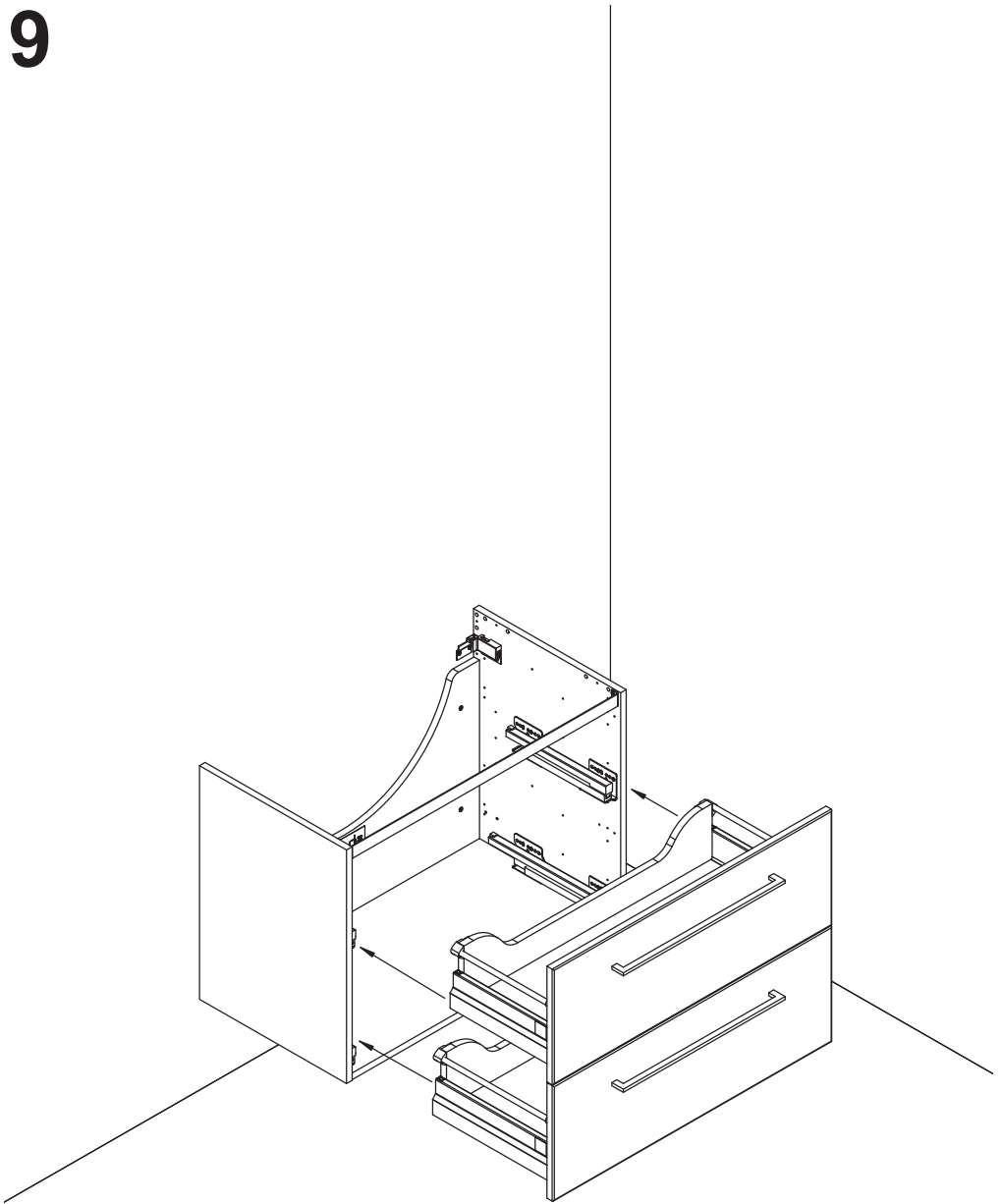


2

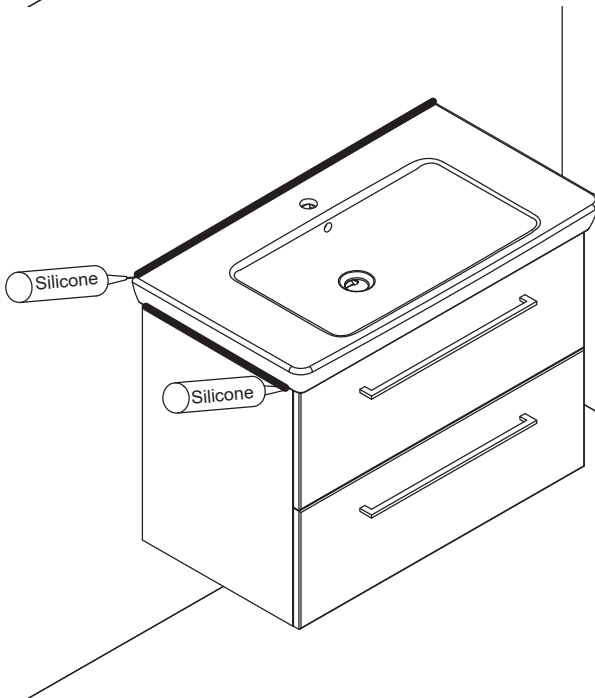
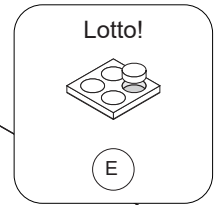
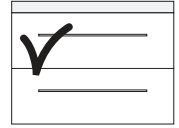
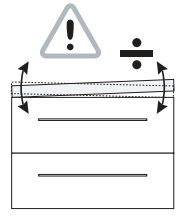
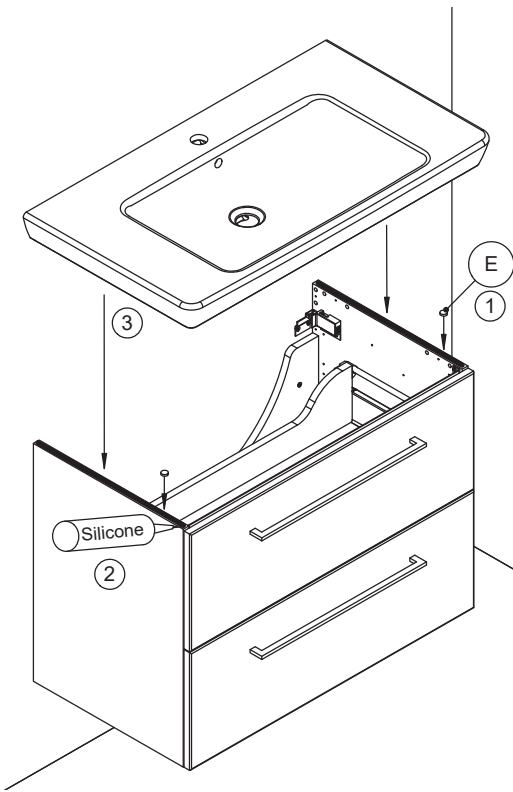




9



# 10



# 11

