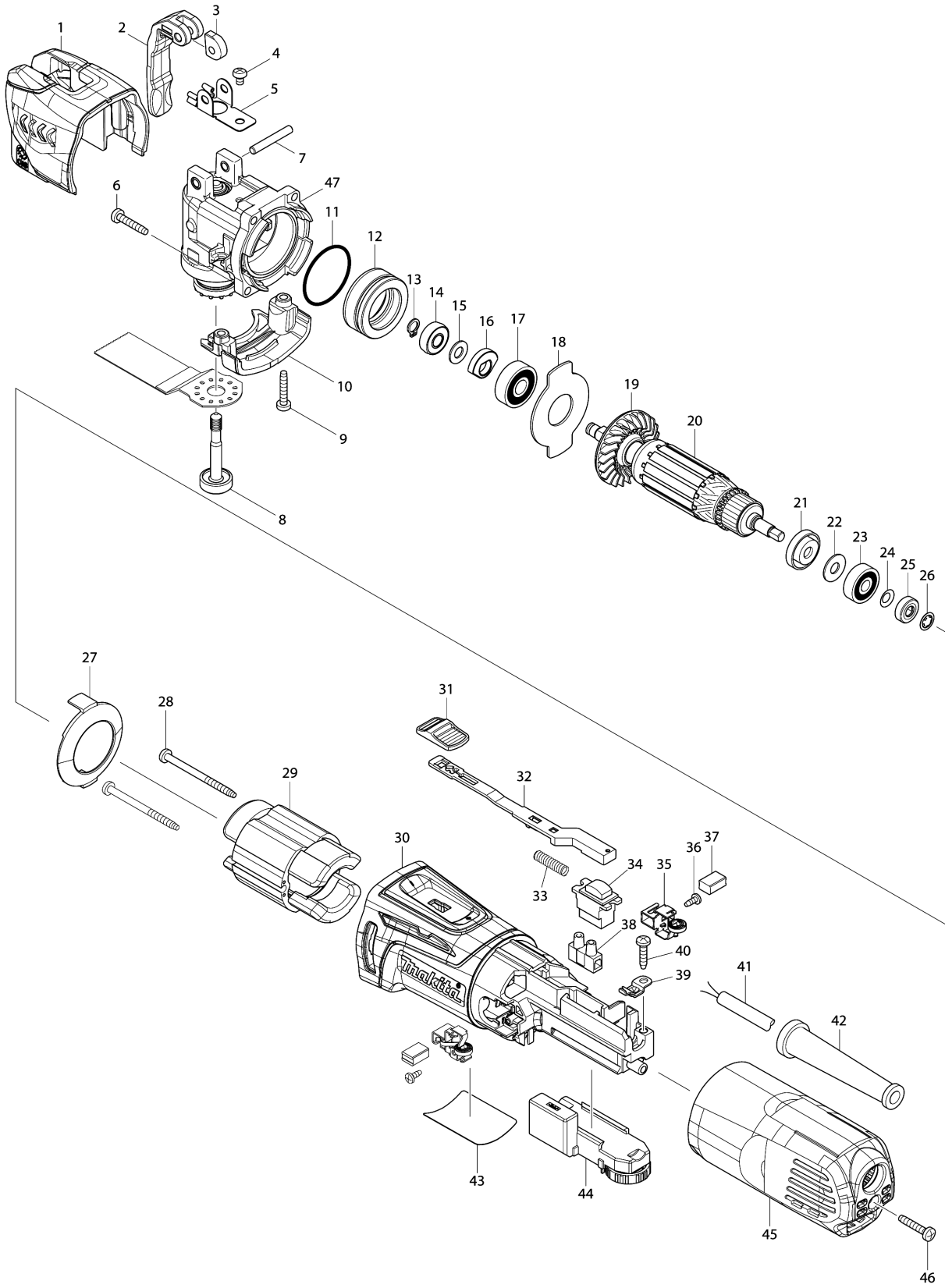


Model No.TM3010C MULTI TOOL



Model No.TM3010C MULTI TOOL

| Item | Parts No. | Description | I/C | Qty | New/Old | Opt. 1 | Opt. 2 | Note |
|-------|-----------|----------------------------|-----|-----|---------|--------|--------|------|
| 001 | 454634-5 | UPPER HEAD COVER | | 1 | * | | | |
| 001-1 | 455272-6 | UPPER HEAD COVER | O | 1 | | | | |
| 002 | 319059-9 | LEVER | | 1 | | | | |
| 003 | 313268-2 | TURN BLOCK | | 1 | | | | |
| 004 | 911102-6 | PAN HEAD SCREW M4X6 | | 1 | | | | |
| 005 | 232282-8 | LEAF SPRING | | 1 | | | | |
| 006 | 266424-2 | TAPPING SCREW 4X20 | | 4 | | | | |
| 007 | 268306-4 | PIN 5 | | 1 | | | | |
| 008 | 326346-9 | HOLDER BOLT | | 1 | * | | | |
| 008-1 | 327176-1 | HOLDER BOLT | < | 1 | | | | |
| 009 | 266424-2 | TAPPING SCREW 4X20 | | 2 | | | | |
| 010 | 454635-3 | LOWER HEAD COVER | | 1 | | | | |
| 011 | 213343-3 | O RING 35 | | 1 | | | | |
| 012 | 326347-7 | BEARING BOX | | 1 | | | | |
| 013 | 961003-8 | RETAINING RING S-7 | | 1 | | | | |
| 014 | 211392-4 | SPHERE BEARING 706 | | 1 | * | | | |
| 014-1 | 210164-4 | SPHERE BEARING 706 | O | 1 | | | | |
| 015 | 253133-2 | FLAT WASHER 7 | | 1 | | | | |
| 016 | 313245-4 | BALANCER | | 1 | | | | |
| 017 | 211092-6 | BALL BEARING 629DDW | | 1 | | | | |
| 018 | 285857-2 | BEARING RETAINNER | | 1 | | | | |
| 019 | 240140-4 | FAN 46 | | 1 | | | | |
| 020 | 517683-4 | ARMATURE ASSEMBLY 220-240V | | 1 | | | | |
| D10 | | INC. 19,21-26 | | | | | | |
| 021 | 681636-0 | INSULATION WASHER | | 1 | | | | |
| 022 | 267426-1 | FLAT WASHER 7 | | 1 | | | | |
| 023 | 210023-2 | BALL BEARING 627DDW | | 1 | | | | |
| 024 | 267756-0 | WAVE WASHER 6 | | 1 | | | | |
| 025 | 688174-3 | MAGNET SLEEVE | | 1 | * | | | |
| 025-1 | 688117-5 | MAGNET SLEEVE | O | 1 | | | | |
| 026 | 259039-2 | SELF LOCK 6 | | 1 | | | | |
| 027 | 453828-9 | BAFFLE PLATE | | 1 | | | | |
| 028 | 266415-3 | TAPPING SCREW 4X55 | | 2 | | | | |
| 029 | 623558-8 | FIELD 220-240V | | 1 | | | | |
| 030 | 453823-9 | MOTOR HOUSING | | 1 | | | | |
| 031 | 453761-5 | SWITCH KNOB | | 1 | | | | |
| 032 | 453825-5 | SWITCH LEVER | | 1 | | | | |
| 033 | 234263-8 | COMPRESSION SPRING 5 | | 1 | | | | |
| 034 | 651609-7 | SWITCH SS106A-7-1 | | 1 | | | | |
| 035 | 643839-4 | BRUSH HOLDER 6X9 | | 2 | | | | |
| 036 | 266492-5 | TAPPING SCREW 3X8 | | 2 | | | | |
| 037 | 194722-3 | CARBON BRUSH CB-459 | | 1 | | | | |

Please order the parts with part number.

Print Date 31/3/2020

Model No.TM3010C MULTI TOOL

| Item | Parts No. | Description | I/C | Qty | New/Old | Opt. 1 | Opt. 2 | Note |
|--------|-----------|--------------------------------|-----|-----|---------|--------|--------|------|
| 038 | 654532-5 | TERMINAL BLOCK 1P | | 1 | | | | |
| 039 | 687681-3 | STRAIN RELIEF | | 1 | | | | |
| 040 | 266326-2 | TAPPING SCREW 4X18 | | 1 | | | | |
| 041 | 665399-6 | POWER SUPPLY CORD 1.0-2-5.0 | | 1 | | | | |
| 042 | 682569-2 | CORD GUARD 8-85 | | 1 | | | | |
| 043 | 814T82-4 | TM3010C NAME PLATE | | 1 | | | | |
| 044 | 620234-5 | CONTROLLER | | 1 | | | | |
| 045 | 453824-7 | REAR COVER | | 1 | | | | |
| 046 | 266424-2 | TAPPING SCREW 4X20 | | 1 | | | | |
| 047 | 142208-1 | CRANK HOUSING COMPLETE | | 1 | * | | | |
| 047-1 | 143249-0 | CRANK HOUSING COMPLETE | < | 1 | | | | |
| A01 | 142257-8 | TOOL BOX COMPLETE | | 1 | * | | | |
| C10 | 454652-3 | LATCH | | 1 | * | | | |
| A01-1 | 143308-0 | TOOL BOX COMPLETE WITH LABEL | O | 1 | | | | |
| C10 | 454652-3 | LATCH | | 1 | | | | |
| A02 | 454247-2 | PIN 4 | | 4 | | | | |
| A03 | 821550-0 | CONNECTOR PLASTIC CASE (TYPE2) | | 1 | * | | | |
| C10 | 453974-8 | LATCH | | 4 | * | | | |
| A03-1 | 821550-0 | CONNECTOR PLASTIC CASE (TYPE2) | < | 1 | | | | |
| C10 | 453974-8 | LATCH | | 4 | | | | |
| A04 | 837773-0 | INNER TRAY | | 1 | | | | |
| A05A | 802B42-0 | TM3010CJ INDICATION LABEL | | 1 | | | | |
| A05B | 802B46-2 | TM3010CX2J INDICATION LABEL | | 1 | | | | |
| A06A | 802B43-8 | TM3010CJ PLASTIC CASE LABEL | | 2 | | | | |
| A06B | 802B47-0 | TM3010CX2J PLASTIC CASE LABEL | | 2 | | | | |
| A07B | 196550-2 | DUST ATTACHMENT SET | | 1 | * | | | |
| C10 | 443177-2 | FELT RING 37 | | 1 | * | | | |
| C20 | 453832-8 | JOINT | | 1 | * | | | |
| C30 | 453835-2 | NOZZLE BAND A | | 1 | * | | | |
| C40 | 454636-1 | DUST ATTACHMENT | | 1 | * | | | |
| C50 | 454637-9 | DUST NOZZLE D | | 1 | * | | | |
| A07-1B | 199624-8 | DUST ATTACHMENT SET | < | 1 | | | | |
| C10 | 443177-2 | FELT RING 37 | | 1 | | | | |
| C20 | 453832-8 | JOINT | | 1 | | | | |
| C30 | 453835-2 | NOZZLE BAND A | | 1 | | | | |
| C40 | 454636-1 | DUST ATTACHMENT | | 1 | | | | |
| C50 | 454637-9 | DUST NOZZLE D | | 1 | | | | |
| C60 | 422362-0 | FELT RING 47 | | 1 | | | | |
| C70 | 459362-7 | SPACER | | 1 | | | | |

Model No.TM3010C MULTI TOOL

| Item | Parts No. | Description | I/C | Qty | New/Old | Opt. 1 | Opt. 2 | Note |
|--------|-----------|-----------------------------------|-----|-----|---------|--------|--------|------|
| A08B | 196272-4 | ADAPTER A SET | | 1 | * | | | |
| A08-1B | 196271-6 | ADAPTER A SET | < | 1 | * | | | |
| A09B | B-21325 | SEGMENT SAW BLADE 85 TMA006 | | 1 | * | | | |
| A09-1B | B-64799 | STARLOCK SEGMENTSAW 85 TMA045 | O | 1 | | | | |
| A10B | B-21331 | SEGMENT SAW BLADE 85 TMA007 | | 1 | * | | | |
| A10-1B | B-64836 | STARLOCK SEGMENTSAW 85 TMA049 | O | 1 | | | | |
| A11B | B-21353 | PLUNGE CUT SAW BLADE 28 TMA009 | | 1 | * | | | |
| A11-1B | B-64814 | STARLOCK CUTSAW 32 TMA047 BIM | O | 1 | | | | |
| A12B | B-21369 | PLUNGE CUT SAW BLADE 32 TMA010 | | 1 | * | | | |
| A12-1B | B-64870 | STARLOCK CUTSAW 32 TMA053 BIM | O | 1 | | | | |
| A13B | B-21381 | PLUNGE CUT SAW BLADE 32 TMA012 | | 1 | * | | | |
| A13-1B | B-64858 | STARLOCK CUTSAW 32 TMA051 HCS | O | 1 | | | | |
| A14B | B-21428 | PLUNGE CUT SAW BLADE 20 TMA016 | | 1 | * | | | |
| A14-1B | B-64923 | STARLOCK CUTSAW 20 TMA058 BIM | O | 1 | | | | |
| A15B | B-21434 | PLUNGE CUT SAW BLADE 10 TMA017 | | 1 | * | | | |
| A15-1B | B-64917 | STARLOCK CUTSAW 10 TMA057 BIM | O | 1 | | | | |
| A16B | B-21456 | SCRAPER 52 FLEXIBLE TMA019 | | 1 | * | | | |
| A16-1B | B-64995 | STARLOCK SCRAPERFLEXIBLE TMA66 | O | 1 | | | | |
| A17B | B-21490 | HM SEG SAW BLADE 85 TMA023 | | 1 | * | | | |
| A17-1B | B-65028 | STARLOCK SEGMENTSAW 85 TMA069 | O | 1 | | | | |
| A18B | B-21509 | HM SEG SAW BLADE 65 TMA024 | | 1 | * | | | |
| A18-1B | B-65040 | STARLOCK SEGMENTSAW 70 TMA071 | O | 1 | | | | |
| A19B | B-21537 | SANDING PAD | | 1 | * | | | |
| A19-1B | B-46202 | SANDING PAD | < | 1 | * | | | |
| A19-2B | B-65115 | STARLOCK SANDING PAD 94 TMA078 | O | 1 | | | | |
| A20B | B-21624 | ABRASIVEPAPER DELTA RED 60 | | 1 | | | | |
| A21B | B-21668 | ABRASIVEPAPER DELTA RED 240 | | 1 | | | | |
| A22B | B-21630 | ABRASIVEPAPER DELTA RED 80 | | 1 | | | | |
| A23B | B-22947 | ABRASIVEPAPER DELTA RED 100 | | 1 | | | | |
| A24B | B-22953 | ABRASIVEPAPER DELTA RED 150 | | 1 | | | | |
| A25B | 821591-6 | TOOL BOX | | 2 | | | | |
| C10 | 454652-3 | LATCH | | 2 | | | | |

Please order the parts with part number.

Print Date 31/3/2020